

Double Master Plus Combine

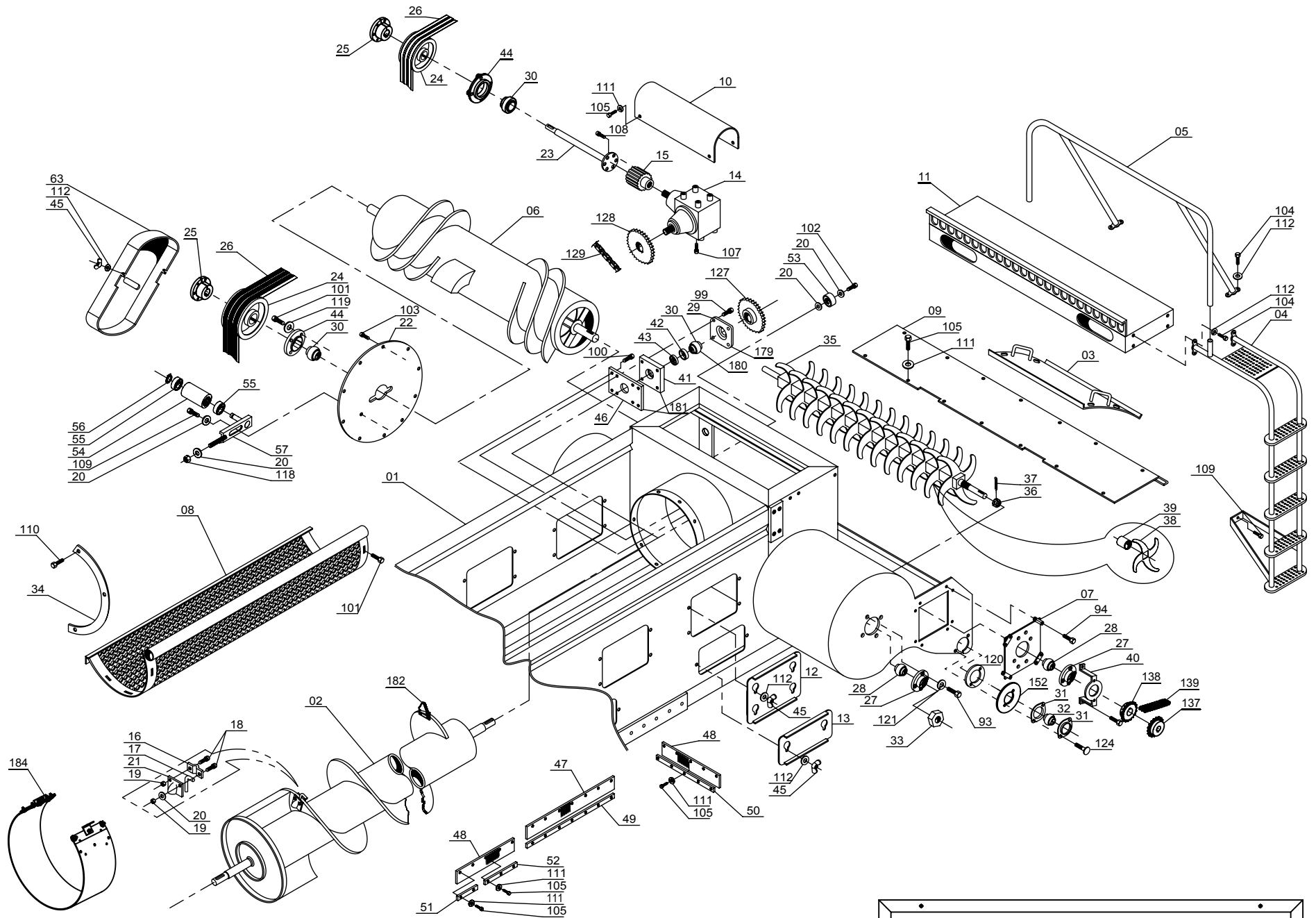
Threshing Cylinder

Section 1

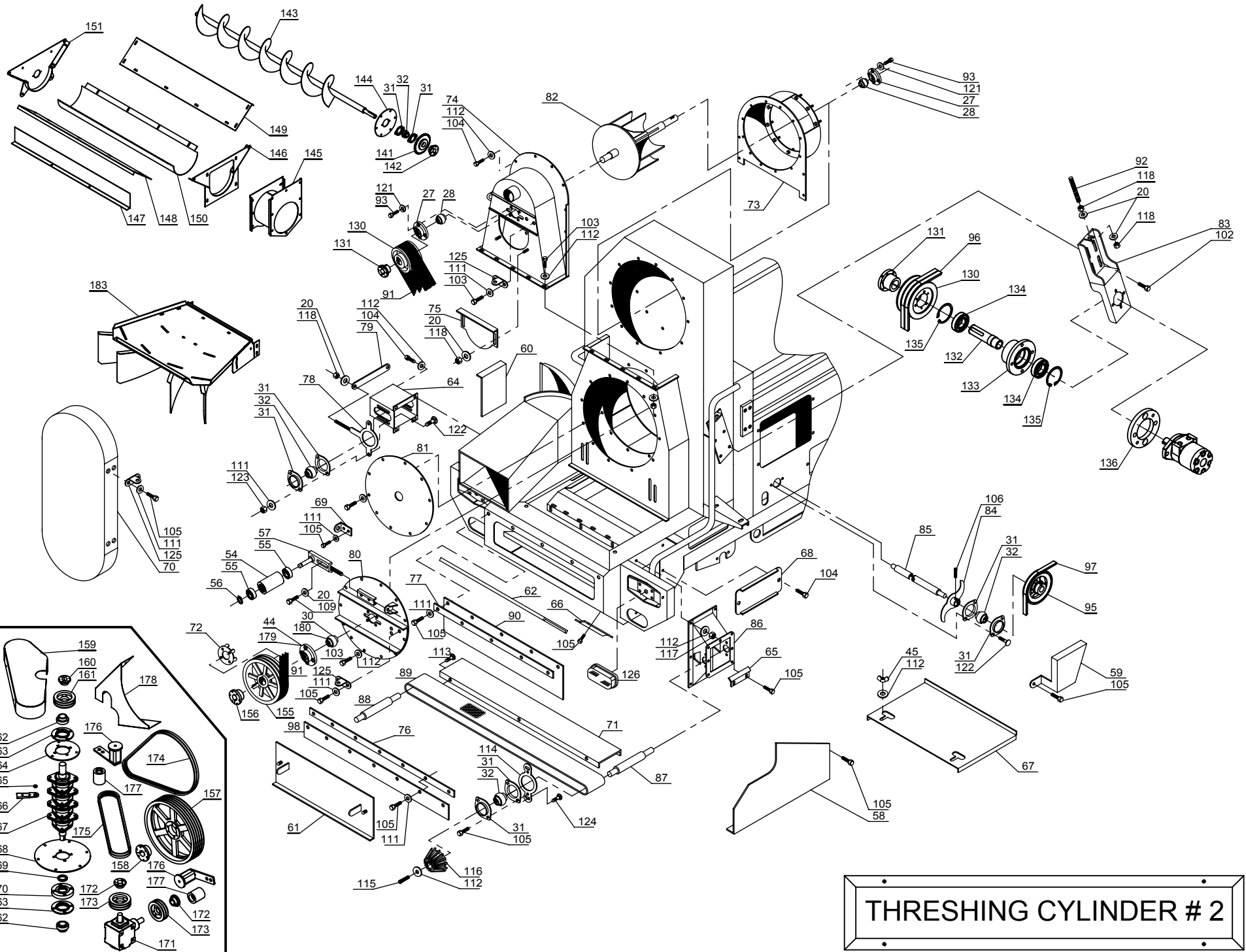
Threshing Cylinder DMP Straight Pull 2001 - 2009 2-9

Threshing Cylinder DMP SP-2 (2006 – Present) DMP SP & Straight Pull (2010 – Present) 10-16

Return to this page by clicking the upper right corner of any page in this section.



THRESHING CYLINDER # 1



THRESHING CYLINDER # 2

Threshing Cylinder – DMP Straight Pull (2001 – 2009)

Parts List

<u>Item</u>	<u>Part No.</u>	<u>Qty</u>	<u>Description</u>
01.	3.103.0306-4	1	Frame, Threshing Cylinder
02.	009.135-5	1	Threshing Cylinder Complete (2008 – 2009)
02a.	033.616-0	1	Threshing Cylinder Complete (2001 – 2007)
02b.	001.827-5	1	Threshing Cylinder Complete (2000 Only)
03.	3.103.0313-7	1	Transition Auger Access Door
04.	3.103.0315-3	2	Ladder
05.	3.103.0316-1	1	Handrail
06.	3.103.0388-3	1	Transition Auger (2002 – 2009)
06a.	3.103.0319-4	1	Transition Auger (2001 Only)
06b.	036.297-8	1	Transition Auger (2000 Only)
07.	3.103.0323-4	1	Star Roller Access Plate (2001 – 2009)
08.	064.673-5	1	Threshing Cylinder Concave Screen, 20mm RH (2001 – 2009)
08a.	032.609-0	1	Threshing Cylinder Concave Screen, 20mm LH (2001 – 2009)
08b.	3.103.0191-4	1 pr	Threshing Cylinder Concave Screen, 20mm (2000 Only)
09.	3.103.1252-8	1	Star Roller Top Cover (2001 – 2009)
10.	3.104.1260-9	1	Shield, Gearbox Shaft (2001 – 2009)
11.	3.103.0350-1	1	Front Walkway (2001 – 2009)
12.	3.104.1196-1	4	Threshing Cylinder Side Cover Plate
13.	3.104.1195-3	4	Shaker Spring Cover Plate
14.	3.941.0037-6	1	Gearbox, 1 : 1.75 (2000 – 2006)
14a.	107014*	1	Gearbox, 2007 - 2009 (*2000 – 2006 May Require Mount Modification)
15.	103106-1050	1	Radial Pin Clutch (Straight Pull)
16.	3.104.0221-6	31	Threshing Pin Clamp
17.	116033	31	Threshing Pin
18.	3.901.0103-2	62	Carriage Bolt M12 x 45mm
19.	3.902.0029-9	62	Hex Nut M12 p1.75
20.	3.934.0001-7	80	Flat Washer, 1/2"
21.	3.104.0127-7	31	Threshing Pin Pocket Gusset (Weld on Part)
21a.	510175	31	Threshing Pin Pocket (Weld on Part)
22.	3.103.0212-4	1	Transition Auger Side Access Cover (2001 – 2009)
23.	3.103.0351-8	1	Radial Pin Clutch Shaft (Specify Year)
24.	119173	2	Sheave, 3C11.0QD
25.	102115-00	2	Bushing, E x 35mm (2000 Only)
25a.	102115-01	2	Bushing, E x 40mm (2001 Only)
25b.	102115-02	2	Bushing, E x 1 3/4" (2002 Only)
25c.	102115-03	2	Bushing, E x 45mm (2003 - 2009)
26.	102134	3	V-belt C76 (2003 – 2009)
27.	106054	5	Bearing Flange, RFC 207 35mm
28.	102100-Fan	5	Bearing, UCR 207, 35mm
29.	106053	1	Bearing Flange, RCJ 50
30.	102099	4	Bearing, UCR 210, 50mm
31.	106013	6 pr	Flangette, 52 MST
32.	102005	6	Bearing Insert, 1"

Threshing Cylinder – DMP Straight Pull (2001 – 2009)

Parts List

<u>Item</u>	<u>Part No.</u>	<u>Qty</u>	<u>Description</u>
33.	3.103.0395-6	1	Nut, Reverse (Unplugging)
34.	3.108.0066-4	3	Cylinder Restrictor Plate
35.	3.102.0110-9	1	Star Roller, Complete (2001 – 2009)
35a.	3.102.0076-1	1	Star Roller Complete (2000 Only)
36.	3.902.0004-7	1	Castle Nut, 1 1/2" NF (2001 – 2009)
37.	3.906.0011-4	1	Cotter Pin, 3/16" x 3" (2001 – 2009)
38.	3.108.0046-1	13	Star Roller Tine (2001 – 2009)
39.	3.103.0332-3	12	Star Roller Tine Divider Pipe (2001 – 2009)
40.	3.103.0352-6	1	Star Roller Hydraulic Motor Mount (2001 – 2009)
41.	3.006.0052-8	1	Front Bearing Flange Mount (2001 – 2007)
42.	102144	1	Bearing, Threshing Cylinder Thrust (2001 – 2007)
43.	119205	1	Seal, Threshing Cylinder Thrust (2001 – 2007)
44.	106055	3	Bearing Flange, RFC 50
45.	3.902.0002-2	35	Wing Nut, 3/8"
46.	3.108.0058-3	1	Front Bearing Flange Support Plate (2001 – 2007)
47.	003.634-0	2	Rubber Belting 110mm x 1830mm
48.	019.411-5	3	Rubber Belting 110mm x 920mm
49.	3.104.1227-7	2	Rubber Strip Protector, Side
50.	3.104.1229-3	1	Rubber Strip Protector, Front
51.	3.104.1228-5	2	Rubber Strip Protector, Rear
52.	3.104.1226-9	2	Rubber Strip Protector, Side
53.	3.938.0007-7	1	Nylon Chain Tensioner
54.	3.006.0132-1	2	Belt Tensioner Roller
55.	102101	4	Bearing 6205zz
56.	3.906.0003-3	2	Snap Ring 25mm
57.	3.003.0020-3	2	Belt Tensioner Bracket
58.	069.056-6	1	Guard, RH Rear
59.	054.164-0	1	Guard, RH Rear Lower
60.	3.104.1339-5	1	Tool Box Door
61.	3.103.0219-8	1	Vacuum Adjustment Plate
62.	3.104.1290-9	1	Clean Out Door
63.	042.199-1	1	Shield, Transition Auger
64.	3.104.1186-4	1	Cross Conveyor Tensioner Housing
65.	011.918-7	1	Cross Conveyor Belt Scraper
66.	3.104.1341-9	2	Clean Out Door Track
67.	3.104.1250-3	1	Final Sieve Cover Plate
68.	3.104.1276-3	2	Access Cover, Shaker Springs
69.	3.104.1277-1	1	Monitor Sensor Mount
70.	021.236-8	1	Rear Belt Guard
71.	3.104.1235-8	1	Bottom Pan, Cross Conveyor
72.	3.104.1286-9	1	Speed Sensor Ring
73.	511040	1	Turbine Housing (2001 – 2009)
73a.	3.103.0455-5	1	Turbine Housing (2000 Only)

Threshing Cylinder – DMP Straight Pull (2001 – 2009)

Parts List

<u>Item</u>	<u>Part No.</u>	<u>Qty</u>	<u>Description</u>
74.	012.526-9	1	Turbine Access Housing
75.	3.104.1187-2	1	Vacuum Turbine Adjustment Plate
76.	3.104.1270-6	2	Rubber Strip Protector, Cross Conveyor
77.	3.104.0859-2	1	Rubber Strip Protector, Rear Cover
78.	3.103.0314-5	2	Cross Conveyor Belt Roller Tensioner
79.	3.104.1268-2	1	Cross Conveyor Belt Tensioner Plate
80.	3.103.0181-7	1	Cover Plate, Rear of Threshing Cylinder
81.	3.104.1209-9	1	Internal Cylinder Cover Plate
82.	128.771-8	1	Vacuum Fan (Curved Blades)
82a.	511045	1	Vacuum Fan Assembly (Replaceable Straight Blades)
82b.	511047	7	Replacement Straight Fan Blades
83.	3.108.0099-7	1	Shaker Motor Mount / Tensioner, Rear
84.	3.103.0339-7	6	Straw Walker Tine
85.	3.107.0229-8	1	Straw Walker Shaft
86.	3.103.0312-9	1	Conveyor Belt RH Bearing Support Housing
87.	3.102.0112-5	1	Cross Conveyor Roller, RH
87a.	3.407.0112-5	1	Cross Conveyor Roller Shaft, RH
88.	3.102.0113-3	1	Cross Conveyor Roller, LH
88a.	3.407.0113-3	1	Cross Conveyor Roller Shaft, LH
89.	102107	1	Cross Conveyor Belt (2001 – 2005)
89a.	102106	1	Cross Conveyor Belt (2000 Only)
90.	050.468-5	1	Rubber Belting, 250mm x1100mm
91.	102102	3	V-belt, B113 Vacuum Fan (Use with 4.8 Sheave)
91a.	102113	3	V-belt, B115 Vacuum Fan (Use with 5.4 Sheave)
92.	3.903.0003-3	1	All Thread, 1/2" x 150mm
93.	3.901.0082-2	28	Hex Bolt, 7/16 x 1 1/2"
94.	3.901.0129-2	8	Hex Bolt, M10 x 25mm
95.	010.718-0	1	Pulley, 1B x 260mm x 1" Bore
96.	102114	2	V-belt, B65 Shaker Pan Drive
97.	102133	1	V-belt, B52 Straw Walker
98.	3.811.0040-1	2	Rubber Belting, 50mm x 1190mm
99.	3.901.0085-5	4	Hex Bolt, 5/8" x 2 1/4"
100.	3.901.0075-8	4	Hex Bolt, 5/8" x 1"
101.	3.901.0039-3	18	Hex Bolt, 1/2" x 1 1/2"
102.	3.901.0043-3	6	Hex Bolt, 1/2" x 2"
103.	3.901.0057-1	41	Hex Bolt, 3/8" x 1"
104.	3.901.0066-9	139	Hex Bolt, 3/8" x 3/4"
105.	3.901.0073-7	63	Hex Bolt, 5/16" x 3/4"
106.	3.901.0012-5	6	Set Screw, 3/8" x 3/4"
107.	3.901.0128-4	4	Hex Bolt, M12 x 40mm
108.	3.901.0067-7	6	Hex Bolt, 5/16" x 7/8" gd. 8
109.	3.901.0038-5	9	Hex Bolt, 1/2" x 1"
110.	3.901.0059-6	31	Hex Bolt, 3/8" x 1 1/4"

Threshing Cylinder – DMP Straight Pull (2001 – 2009)

Parts List

<u>Item</u>	<u>Part No.</u>	<u>Qty</u>	<u>Description</u>
111.	3.934.0004-4	100	Flat Washer, 5/16"
112.	3.934.0003-3	110	Flat Washer, 3/8"
113.	3.901.0025-5	16	Carriage Bolt, 5/16" x 3/4"
114.	3.108.0101-1	2	Flangette Support, Cross Conveyor Shaft
115.	3.901.0008-5	1	Socket Head Bolt, 3/8" x 1"
116.	3.923.0003-7	1	Pinion Gear
117.	3.902.0014-4	88	Hex Nut, 3/8"
118.	3.902.0011-1	40	Hex Nut, 1/2"
119.	3.904.0001-1	60	Lock Washer, 1/2"
120.	510910	2	Hinge Spacer
121.	3.904.0007-7	28	Lock Washer, 7/16"
122.	3.901.0100-8	8	Carriage Bolt, M8 x 30mm
123.	3.902.0008-8	8	Lock Nut, M8
124.	3.901.0101-6	6	Carriage Bolt, M8 x 35mm
125.	3.104.0356-1	4	Rear Shield Hinge
126.	3.928.0015-6	2	Rear Tail Light
127.	119280	1	Sprocket, 60Q24H (2001 – 2007)
127a.	102195	1	Bushing, Q1 x 1 3/4" (2001 – 2007)
127b.	119354	1	Sprocket, 60BS24 x 60mm (2008 – 2009)
128.	119281	1	Sprocket, H60P20
128a.	119306	1	Sprocket, H60P18 (optional for tough conditions)
128b.	102188	1	Bushing, P x 1 3/8" 6 Spline
129.	103086	61"	RS 60 Chain per foot
130.	119187	2	Sheave, 3B5.4SD
130a.	119188		Sheave, 3B4.8SD (Optional)
130b.	119292		Sheave, 3B4.0SH (Optional w/ 500-350 Transmission)
131.	102140	2	Bushing, SD x 35mm (2003 – Present)
131a.	102201		Bushing, SH x 35mm (Optional w/ 500-350 Transmission)
131b.	102124		Bushing, SD x 35mm w / 5/16" Key (2001 – 2002)
132.	103134	1	Coupler Shaft, Shaker Hydraulic Motor (2001 – 2002)(1" Motor Shaft)
132a.	103134-03	1	Coupler Shaft, Shaker Hydraulic Motor (2003, 2005 – 2009)(1" Motor)
132b.	103134-04	1	Coupler Shaft, Shaker Hydraulic Motor (2004 Only)(25mm Motor Shaft)
133.	108225	1	Hub, Coupler Shaft Rear Hydraulic Motor
134.	102126	2	Bearing, Hub Coupler Shaft
135.	118046	2	Snap Ring
136.	510054	1	Motor Push Off Plate
137.	119200	1	Chain Coupler Half, 1"
138.	119201	1	Chain Coupler Half, 35mm
139.	103126	1	Chain Coupler Chain
140.	058.790-7		Replacement Auger Kit for Machines that Originally Had Conveyor Belts (Includes Items 141 to 151, 31 & 32 & Part #s 119228 & 102139)
141.	119229	1	Sprocket, 50SDS30
142.	102138	1	Bushing, SDS x 25mm

Threshing Cylinder – DMP Straight Pull (2001 – 2009)



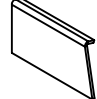
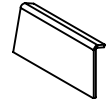
Parts List

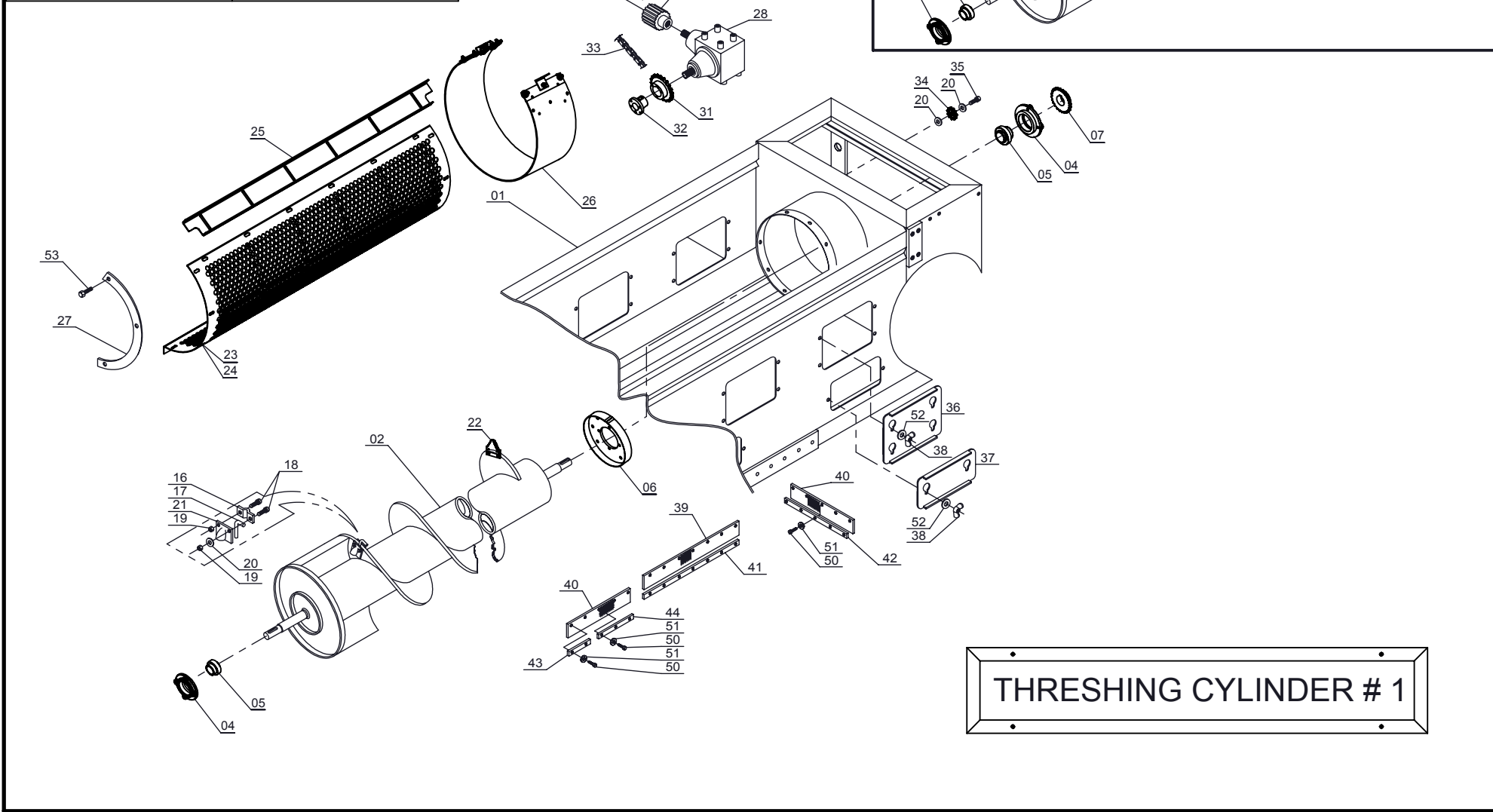
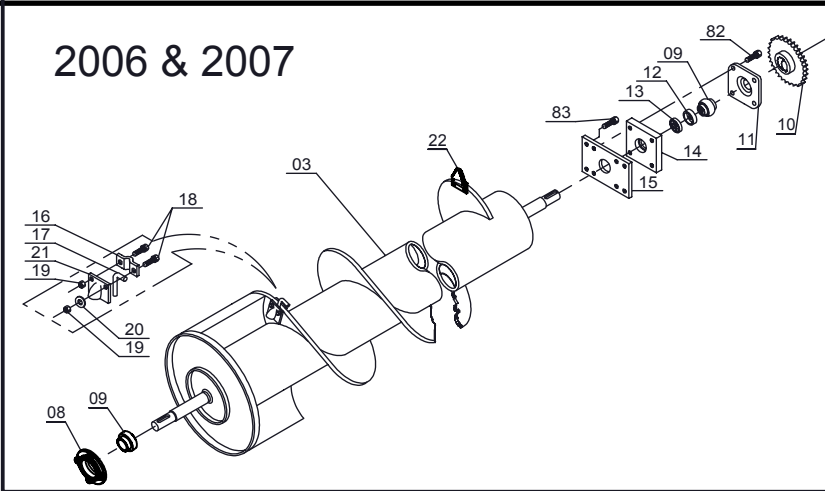
<u>Item</u>	<u>Part No.</u>	<u>Qty</u>	<u>Description</u>
143.	061.223-1	1	Cross Auger (72" Long, 6 Wraps of Flight)
144.	3.104.1347-6	1	Bearing Support Plate
145.	3.103.0406-9	1	RH Support Housing
146.	3.103.0405-2	1	RH Inner Support
147.	3.104.1459-4B	1	Dirt Shield
148.	3.104.1459-4AR	2	Inclined Dirt Shield Rear
149.	3.104.1459-4AL	2	Inclined Dirt Shield Front
150.	3.104.1451-2	1	Auger Screen Replacement (no holes)
151.	3.103.0404-4	1	LH Inner Support
152.	510909	2	Hinge Lock
153.	510000	1	Bumper Bar Assembly (not shown)
154.	406032		Auger Flighting Wear Kit (includes 8) 510052, 4) 510053, 1) 510055 & 1) 510056) (not shown)
155.	119175	1	Sheave, 3B18.4SK * (see 157 with mechanical straw chopper)
156.	102118	1	Bushing, SK x 40mm * (see 158 with mechanical straw chopper)
157.	119290	1	Sheave, 5B18.4SF * (see 155 without mechanical straw chopper)
158.	102208	1	Bushing, SF x 40mm * (see 156 without mechanical straw chopper)
159.	511008	1	Straw Chopper Outer Belt Guard
160.	102147	1	Bushing, SDS x 35mm
161.	119233	1	Sheave, 2B5.4SDS
162.	102212	2	Bearing, 45mm Straw Chopper (2009 Only)
162a.	102116	2	Bearing, 45mm Insert (2008 Only)
163.	033.942-6	2	Flange, 45mm (2009 Only)
163a.	106070	2	Flangette, G85 MS (2008 Only)
164.	511135	1	Chopper Top Mounting Plate (2009 Only)
164a.	510999	1	Chopper Top Mounting Plate (2008 Only)
165.	119238	16	Chopper Blade Bushing
166.	119239	16	Chopper Blade
167.	511165	1	Straw Chopper Assembly (2008 – 2009)
168.	511136	1	Chopper Lower Cover Plate (2009 – Only)
168a.	511000	1	Chopper Lower Cover Plate (2008 Only)
169.	119276	1	Seal, Lower Straw Chopper Bearing
170.	511095	1	Chopper Lower bearing Seal Housing (2009 –Only)
170.	511096	1	Chopper Lower Bearing Spacer (2009 – Only)
170a.	510965	1	Chopper Lower Bearing Seal Housing (2008 Only)
171.	107000	1	Gearbox, RH Rotation
171a.	119274	1	Seal, Input for Item 171 (Large)
171b.	119275	1	Seal, Output for Item 171 (Small)
172.	102209	2	Bushing, SDS x 1 1/4"
173.	119291	2	Sheave, 2B4.8SDS
174.	102206	2	V-belt, B75 Chopper Gear Box Drive
175.	102207	2	V-belt, B63 Chopper Drive
176.	109004	2	Belt Tensioner Arm

Threshing Cylinder – DMP Straight Pull (2001 – 2009)

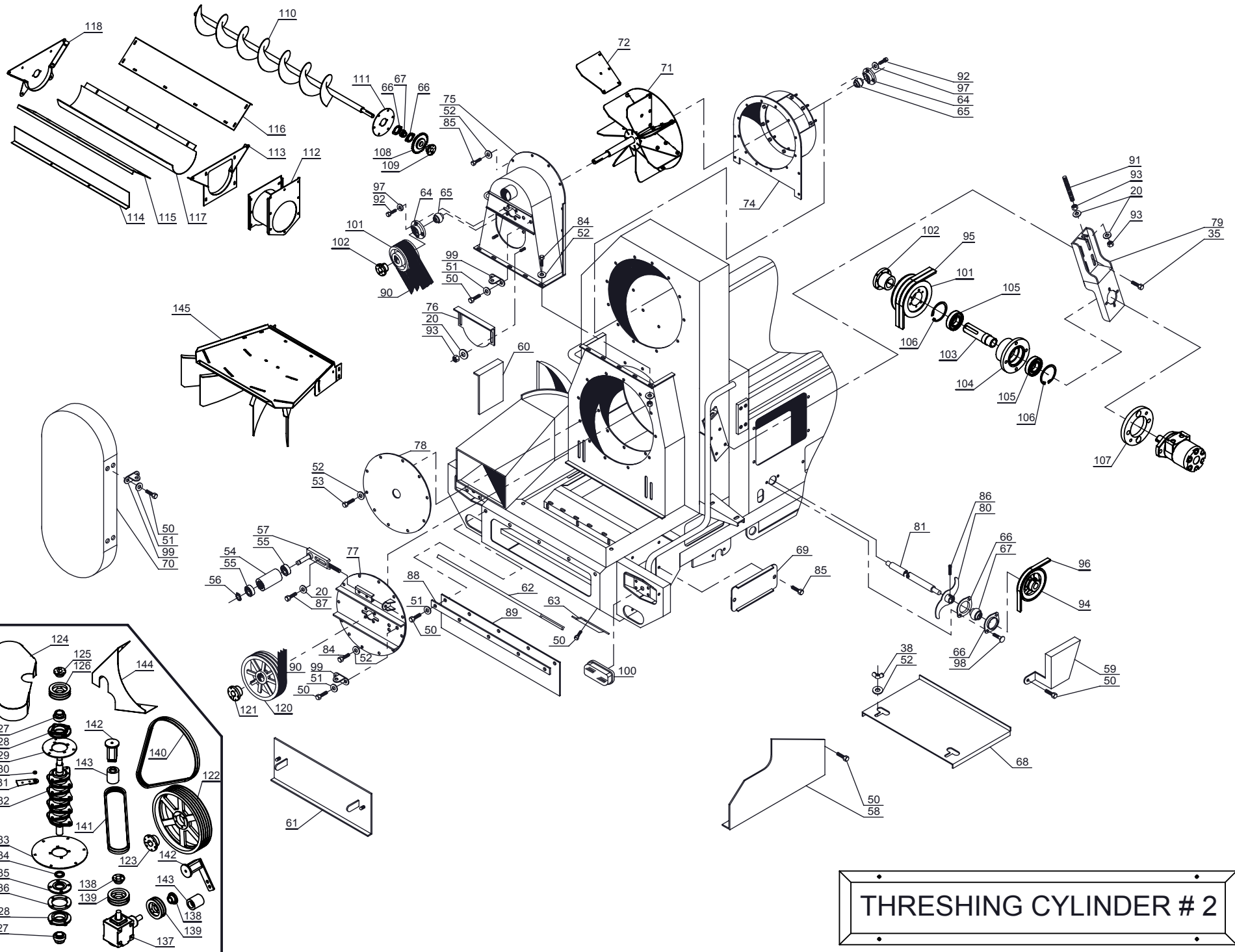
Parts List

<u>Item</u>	<u>Part No.</u>	<u>Qty</u>	<u>Description</u>
177.	109005	2	Belt Tensioner Roller (includes bearings)
177a.	102169	4	Bearings for Item 177
178.	511007	1	Chopper Rear Belt Guard
179*.	065.609-1	2	Flange, Threshing Cylinder 60mm (*2008 – 2009)
180*.	102161	2	Bearing, Threshing Cylinder 60mm Insert (*2008 – 2009)
181*.	060.325-8	1	Front Bearing Flange Mount (*2008 – 2009)
182.	511263	2	Knife Assembly, Threshing Cylinder
183.	119236	1	Straw Spreader Assembly
184.	102205-A	1	Threshing Cylinder Blank Belt Kit
	3.930.0034-7		Replacement Transition Auger Flighting LH (not shown)
	3.930.0035-5		Replacement Transition Auger Flighting RH (not shown)
	3.930.0036-3		Replacement Threshing Cylinder Flighting Front w/o holes (not shown)
	3.930.0037-1		Replacement Threshing Cylinder Flighting Rear w/holes (not shown)
	511083		Replacement Threshing Cylinder Throat Adaptor 2006–pres. (not shown)
	511160		Replacement Threshing Cylinder Throat Adaptor 2000-2005 (not shown)
	511099		Replacement Rear Concave Mount (not shown)
	511100		Mount for 511099
	3.104.0860-8		Replacement Front Concave Mounting Ring (not shown)
	3.104.2881-8		Replacement Front Threshing Cylinder Cover (not shown)
	511163		Replacement Vacuum Fan Discharge Wear Plate (not shown)

406032 Double Master Plus Threshing Cylinder and Transition Auger Wear Kit			
510053 Threshing Cylinder Wear Ring	510052 Transition Auger Wear Ring		
			
4 Pieces 46	8 Pieces 47		
510056 LH Transition Auger Paddle Wear Plate	510055 RH Transition Auger Paddle Wear Plate		
			
1 Pieces 48	1 Pieces 49		



THRESHING CYLINDER # 1



THRESHING CYLINDER # 2

Threshing Cylinder – DMP SP2 - (2006 – Present) DMP-SP & DMP Straight Pull (2010 – Present)

Parts List

<u>Item</u>	<u>Part No.</u>	<u>Qty</u>	<u>Description</u>
01.	3.103.0306-4	1	Frame, Threshing Cylinder
02.	009.135-5	1	Threshing Cylinder Complete (2008 – Present)
03.	033.616-0	1	Threshing Cylinder Complete (2006 – 2007)
04.	065.609-1	2	Flange, Threshing Cylinder 60mm (2008 – Present)
05.	102161	2	Bearing, Threshing Cylinder 60mm Insert (2008 – Present)
06.	060.325-8	1	Front Bearing Flange Mount (2008 – Present)
07.	119354	1	Sprocket, 60BS24 x 60mm (2008 – Present)
08.	106055	1	Bearing Flange, RFC 50 (2006 – 2007)
09.	102099	2	Bearing, UCR 210, 50mm (2006 – 2007)
10.	119280	1	Sprocket, 60Q24H (2006 – 2007)
10a.	102195	1	Bushing, Q1 x 1 3/4" (2006 – 2007)
11.	106053	1	Bearing Flange, RCJ 50
12.	102144	1	Bearing, Threshing Cylinder Thrust (2006 – 2007)
13.	119205	1	Seal, Threshing Cylinder Thrust (2006 – 2007)
14.	3.006.0052-8	1	Front Bearing Flange Mount (2006 – 2007)
15.	3.108.0058-3	1	Front Bearing Flange Support Plate (2006 – 2007)
16.	3.104.0221-6	31	Threshing Pin Clamp
17.	116033	31	Threshing Pin
18.	3.901.0103-2	62	Carriage Bolt M12 x 45mm
19.	3.902.0029-9	62	Hex Nut M12 p1.75
20.	3.934.0001-7	80	Flat Washer, 1/2"
21.	3.104.0127-7	31	Threshing Pin Pocket Gusset (Weld on Part)
21a.	510175	31	Threshing Pin Pocket (Weld on Part)
22.	511263	2	Knife Assembly, Threshing Cylinder
23.	064.673-5	1	Threshing Cylinder Concave Screen, 20mm RH (2006 – Present)
24.	032.609-0	1	Threshing Cylinder Concave Screen, 20mm LH (2006 – Present)
25.	511326	2	Concave Channel
26.	102205-A	1	Threshing Cylinder Blank Belt Kit
27.	3.108.0066-4	3	Cylinder Restrictor Plate
28.	107014	1	Gearbox, Transition Auger
29.	103106-1200	1	Radial Pin Clutch
30.	3.901.0067-7	6	Hex Bolt, 5/16" x 7/8" gd. 8
31.	119281	1	Sprocket, H60P20
31a.	119306	1	Sprocket, H60P18 (optional for tough conditions)
32.	102188	1	Bushing, P x 1 3/8" 6 Spline
33.	103086	61"	RS 60 Chain per foot
34.	119016	1	Sprocket, Idler 6011E10
35.	3.901.0043-3	6	Hex Bolt, 1/2" x 2"
36.	3.104.1196-1	4	Threshing Cylinder Side Cover Plate
37.	3.104.1195-3	4	Shaker Spring Cover Plate

Threshing Cylinder – DMP SP2 - (2006 – Present) DMP-SP & DMP Straight Pull (2010 – Present)

Parts List

<u>Item</u>	<u>Part No.</u>	<u>Qty</u>	<u>Description</u>
38.	3.902.0002-2	35	Wing Nut, 3/8"
39.	003.634-0	2	Rubber Belting 110mm x 1830mm
40.	019.411-5	3	Rubber Belting 110mm x 920mm
41.	3.104.1227-7	2	Rubber Strip Protector, Side
42.	3.104.1229-3	1	Rubber Strip Protector, Front
43.	3.104.1228-5	2	Rubber Strip Protector, Rear
44.	3.104.1226-9	2	Rubber Strip Protector, Side
45.	406032		Auger Flighting Wear Kit 4) Item 46, 8) Item 47, 1) Items 48 & 49
46.	510053		Threshing Cylinder Wear Ring
47.	510052		Transition Auger Wear Ring
48.	510056		LH transition Auger Paddle Wear Plate
49.	510055		RH Transition Auger Paddle Wear Plate
50.	3.901.0073-7	63	Hex Bolt, 5/16" x 3/4"
51.	3.934.0004-4	100	Flat Washer, 5/16"
52.	3.934.0003-3	110	Flat Washer, 3/8"
53.	3.901.0059-6	31	Hex Bolt, 3/8" x 1 1/4"
54.	3.006.0132-1	1	Belt Tensioner Roller
55.	102101	2	Bearing 6205zz
56.	3.906.0003-3	1	Snap Ring 25mm
57.	3.003.0020-3	1	Belt Tensioner Bracket
58.	069.056-6	1	Guard, RH Rear
59.	054.164-0	1	Guard, RH Rear Lower
60.	3.104.1339-5	1	Tool Box Door
61.	3.103.0219-8	1	Vacuum Adjustment Plate
62.	3.104.1290-9	1	Clean Out Door
63.	3.104.1341-9	2	Clean Out Door Track
64.	106054	2	Bearing Flange, RFC 207 35mm
65.	102100-Fan	2	Bearing, UCR 207, 35mm
66.	106013	4 pr	Flangette, 52 MST
67.	102005	4	Bearing Insert, 1"
68.	3.104.1250-3	1	Final Sieve Cover Plate
69.	3.104.1276-3	2	Access Cover, Shaker Springs
70.	021.236-8	1	Rear Belt Guard
71.	511045	1	Vacuum Fan Assembly (Replaceable Straight Blades)
72.	511047	7	Replacement Straight Fan Blades
73.	128.771-8	1	Vacuum Fan (Curved Blades) (Not Shown)
74.	511040	1	Turbine Housing (2006 – Present)
75.	012.526-9	1	Turbine Access Housing
76.	3.104.1187-2	1	Vacuum Turbine Adjustment Plate
77.	3.103.0181-7	1	Cover Plate, Rear of Threshing Cylinder

Threshing Cylinder – DMP SP2 - (2006 – Present) DMP-SP & DMP Straight Pull (2010 – Present)

Parts List

<u>Item</u>	<u>Part No.</u>	<u>Qty</u>	<u>Description</u>
78.	3.104.1209-9	1	Internal Cylinder Cover Plate
79.	3.108.0099-7	1	Shaker Motor Mount / Tensioner, Rear
80.	3.103.0339-7	6	Straw Walker Tine
81.	3.107.0229-8	1	Straw Walker Shaft
82.	3.901.0085-5	4	Hex Bolt, 5/8" x 2 1/4"
83.	3.901.0075-8	4	Hex Bolt, 5/8" x 1"
84.	3.901.0057-1	41	Hex Bolt, 3/8" x 1"
85.	3.901.0066-9	139	Hex Bolt, 3/8" x 3/4"
86.	3.901.0012-5	6	Set Screw, 3/8" x 3/4"
87.	3.901.0038-5	9	Hex Bolt, 1/2" x 1"
88.	3.104.0859-2	1	Rubber Strip Protector, Rear Cover
89.	050.468-5	1	Rubber Belting, 250mm x1100mm
90.	102102	3	V-belt, B113 Vacuum Fan (Use with 4.8 Sheave)
90a.	102113	3	V-belt, B115 Vacuum Fan (Use with 5.4 Sheave)
91.	3.903.0003-3	1	All Thread, 1/2" x 150mm
92.	3.901.0082-2	28	Hex Bolt, 7/16 x 1 1/2"
93.	3.902.0011-1	40	Hex Nut, 1/2"
94.	010.718-0	1	Pulley, 1B x 260mm x 1" Bore
95.	102114	2	V-belt, B65 Shaker Pan Drive
96.	102133	1	V-belt, B52 Straw Walker
97.	3.904.0007-7	28	Lock Washer, 7/16"
98.	3.901.0100-8	8	Carriage Bolt, M8 x 30mm
99.	3.104.0356-1	4	Rear Shield Hinge
100.	3.928.0015-6	2	Rear Tail Light
101.	119187	2	Sheave, 3B5.4SD
101a.	119188		Sheave, 3B4.8SD (Optional)
101b.	119292		Sheave, 3B4.0SH (Optional w/ 500-350 Transmission)
102.	102140	2	Bushing, SD x 35mm (2006 – Present)
102a.	102201		Bushing, SH x 35mm (Optional w/ 500-350 Transmission)
103.	103134-03	1	Coupler Shaft, Shaker Hydraulic Motor (2006 – Present)(1" Motor)
104.	108225	1	Hub, Coupler Shaft Rear Hydraulic Motor
105.	102126	2	Bearing, Hub Coupler Shaft
106.	118046	2	Snap Ring
107.	510054	1	Motor Push Off Plate
108.	119229	1	Sprocket, 50SDS30
109.	102138	1	Bushing, SDS x 25mm
110.	061.223-1	1	Cross Auger (72" Long, 6 Wraps of Flight)
111.	3.104.1347-6	1	Bearing Support Plate
112.	3.103.0406-9	1	RH Support Housing
113.	3.103.0405-2	1	RH Inner Support

Threshing Cylinder – DMP SP2 - (2006 – Present) DMP-SP & DMP Straight Pull (2010 – Present)

Parts List

<u>Item</u>	<u>Part No.</u>	<u>Qty</u>	<u>Description</u>
114.	3.104.1459-4B	1	Dirt Shield
115.	3.104.1459-4AR	2	Inclined Dirt Shield Rear
116.	3.104.1459-4AL	2	Inclined Dirt Shield Front
117.	3.104.1451-2	1	Auger Screen Replacement (no holes)
118.	3.103.0404-4	1	LH Inner Support
119.	510000	1	Bumper Bar Assembly (not shown)
120.	119175	1	Sheave, 3B18.4SK * (see 122 with mechanical straw chopper)
121.	102118	1	Bushing, SK x 40mm * (see 123 with mechanical straw chopper)
122.	119290	1	Sheave, 5B18.4SF * (see 120 without mechanical straw chopper)
123.	102208	1	Bushing, SF x 40mm * (see 121 without mechanical straw chopper)
124.	511008	1	Straw Chopper Outer Belt Guard
125.	102147	1	Bushing, SDS x 35mm
126.	119233	1	Sheave, 2B5.4SDS
127.	102212	2	Bearing, 45mm Straw Chopper (2009 - Present)
127a.	102116	2	Bearing, 45mm Insert (2008 Only)
128.	033.942-6	2	Flange, 45mm (2009 – Present)
128a.	106070	2	Flangette, G85 MS (2008 Only)
129.	511135	1	Chopper Top Mounting Plate (2009 - Present)
129a.	510999	1	Chopper Top Mounting Plate (2008 Only)
130.	119238	16	Chopper Blade Bushing
131.	119239	16	Chopper Blade
132.	511165	1	Straw Chopper Assembly (2008 – Present)
133.	511136	1	Chopper Lower Cover Plate (2009 – Present)
133a.	511000	1	Chopper Lower Cover Plate (2008 Only)
134.	119276	1	Seal, Lower Straw Chopper Bearing
135.	511095	1	Chopper Lower bearing Seal Housing (2009 – Present)
135a.	510965	1	Chopper Lower Bearing Seal Housing (2008 Only)
136.	511096	1	Chopper Lower Bearing Spacer (2009 – Present)
137.	107000	1	Gearbox, RH Rotation
137a.	119274	1	Seal, Input for Item 137 (Large)
137b.	119275	1	Seal, Output for Item 137 (Small)
138.	102209	2	Bushing, SDS x 1 1/4"
139.	119291	2	Sheave, 2B4.8SDS
140.	102206	2	V-belt, B75 Chopper Gear Box Drive
141.	102207	2	V-belt, B63 Chopper Drive
142.	109004	2	Belt Tensioner Arm
143.	109005	2	Belt Tensioner Roller (includes bearings)
143a.	102169	4	Bearings for Item 143
144.	511007	1	Chopper Rear Belt Guard
145.	119236	1	Straw Spreader Assembly

Threshing Cylinder – DMP SP2 - (2006 – Present) DMP-SP & DMP Straight Pull (2010 – Present)

Parts List

<u>Item</u>	<u>Part No.</u>	<u>Qty</u>	<u>Description</u>
	3.930.0034-7		Replacement Transition Auger Flighting LH (not shown)
	3.930.0035-5		Replacement Transition Auger Flighting RH (not shown)
	3.930.0036-3		Replacement Threshing Cylinder Flighting Front w/o holes (not shown)
	3.930.0037-1		Replacement Threshing Cylinder Flighting Rear w/holes (not shown)
	511083		Replacement Threshing Cylinder Throat Adaptor 2006–pres. (not shown)
	511160		Replacement Threshing Cylinder Throat Adaptor 2000-2005 (not shown)
	511099		Replacement Rear Concave Mount (not shown)
	511100		Mount for 511099
	3.104.0860-8		Replacement Front Concave Mounting Ring (not shown)
	3.104.2881-8		Replacement Front Threshing Cylinder Cover (not shown)
	511163		Replacement Vacuum Fan Discharge Wear Plate (not shown)