

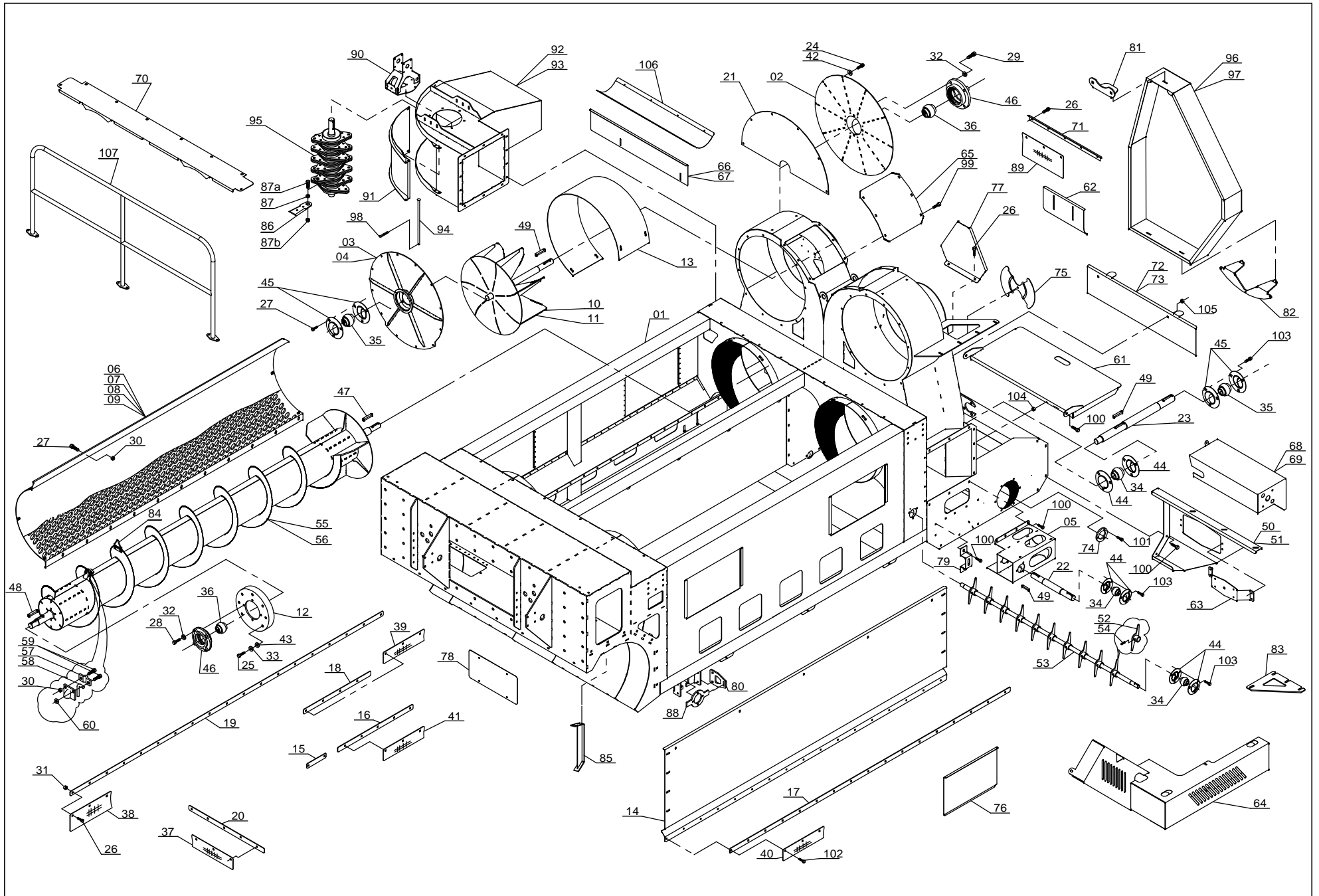
Twin Master Combine

Threshing Cylinder

Section 1

Threshing Cylinder (2006 – 2008).....	2-8
Threshing Cylinder (2009 – Present)	9-15

Return to this page by clicking the upper right corner of any page in this section.



Threshing Cylinder 2006 - 2008

Parts List

<u>Item</u>	<u>Part No.</u>	<u>Qty</u>	<u>Description</u>
1.	3.103.0729-3	1	Frame, Threshing Cylinder
2.	011.284-6	2	Cover, Threshing Cylinder Rear Access
3.	040.358-8	1	Cover RH Fan Front Access
4.	036.461-3	1	Cover LH Fan Front Access
5.	068.282-0	1	Straw Walker Jack Shaft Mount
6.	3.103.0746-3	1	Threshing Cylinder Concave Screen, 20mm (LH – LH Cylinder)
7.	3.103.0747-1	1	Threshing Cylinder Concave Screen, 20mm (RH – LH Cylinder)
8.	3.103.0748-8	1	Threshing Cylinder Concave Screen, 20mm (LH – RH Cylinder)
9.	3.103.0749-6	1	Threshing Cylinder Concave Screen, 20mm (RH – RH Cylinder)
10.	3.103.0750-3	1	Fan, RH (Replaced by 510956 Replaceable Blade Fan)
11.	3.103.0751-1	1	Fan, LH (Replaced by 510956 Replaceable Blade Fan)
	510955	14	Replaceable Fan Blade (for item 510956 above)
12.	060.325-8	2	Front Bearing Flange Mount
13.	520192	2	Fan Shroud
14.	3.104.2470-2	1	Threshing Cylinder Divider
15.	3.104.2678-5	2	Rubber Strip Protector, Middle (threshing cylinder divider)
16.	3.104.2681-7	2	Rubber Strip Protector, Rear (threshing cylinder divider)
17.	3.104.2682-5	2	Rubber Strip Protector, Front (threshing cylinder divider)
18.	3.104.2683-3	2	Rubber Strip Protector, Side Threshing Cylinder Housing
19.	3.104.2684-1	2	Rubber Strip Protector, Side of Shaker
20.	3.104.2685-8	2	Rubber Strip Protector, Front of Shaker
21.	021.960-8	4	Internal Rear Threshing Cylinder Cover
22.	3.107.0485-8	1	Jack Shaft, Straw Walker
23.	510768	2	Jack Shaft, Straw Chopper (2006-2007)
23a.	510953-A	2	Jack Shaft, Straw Chopper (2008-Present)
24.	3.901.0066-9	46	Bolt, 3/8" x 3/4"
25.	3.901.0076-6	14	Bolt, 5/8" x 1 1/2"
26.	3.901.0027-1	101	Carriage Bolt, M8 x 20mm
27.	3.901.0146-2	52	Carriage Bolt, M12 x 30mm
28.	3.901.0159-2	8	Bolt, 1/2" x 2"
29.	3.901.0160-8	8	Bolt, 1/2" x 2 1/2"
30.	3.902.0050-9	224	Nut, M12
31.	3.902.0053-3	105	Nut, M8
32.	3.904.0001-1	16	Lock Washer, 1/2"
33.	3.904.0006-9	14	Lock Washer, 5/8"
34.	102100	12	Bearing, 35mm Insert
35.	102116	6	Bearing, 45mm Insert
36.	102161	4	Bearing, 60mm Insert
37.	3.911.0107-5	1	Rubber Belting, 110mm x 2010mm
38.	3.911.0108-3	2	Rubber Belting, 160mm x 2850mm
39.	3.911.0109-1	2	Rubber Belting, 110mm x 600mm

Threshing Cylinder 2006 - 2008





Parts List

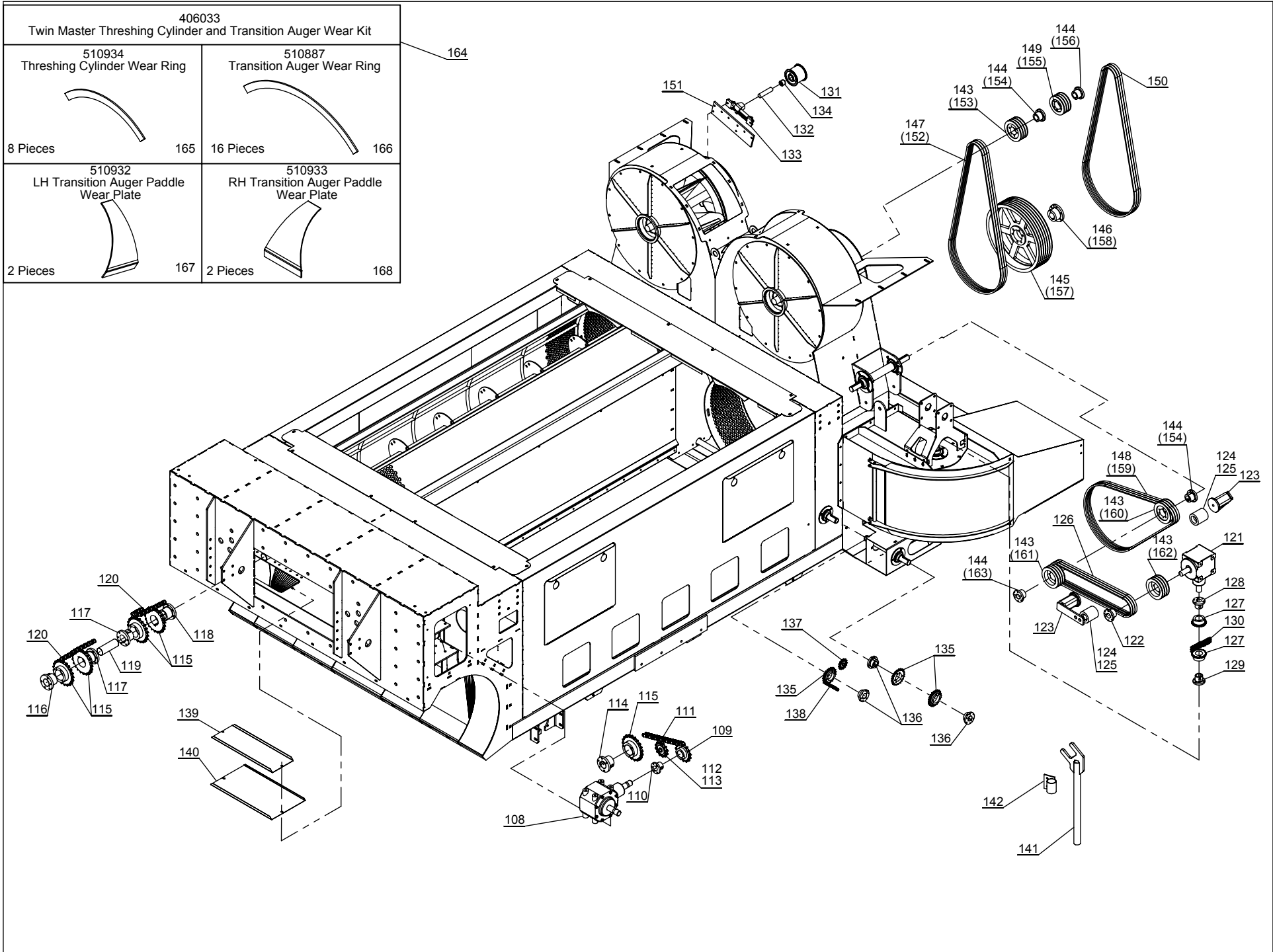
<u>Item</u>	<u>Part No.</u>	<u>Qty</u>	<u>Description</u>
40.	3.911.0110-7	2	Rubber Belting, 110mm x 2460mm
41.	3.911.0111-5	2	Rubber Belting, 110mm x 970mm
42.	3.934.0003-3	53	Flat Washer, 3/8"
43.	3.934.0005-8	14	Flat Washer, 5/8"
44.	106049	12	Flangette, 72 MS (pair)
45.	106070	6	Flangette, G85 MS (pair)
46.	065.609-1	4	Flange, 60mm
47.	111007		Keystock 14mm x 9mm (12")
48.	111010		Keystock 18mm x 11mm (12")
49.	111008		Keystock 10mm x 8mm (12")
50.	510493-A	1	Tail Light Mount, RH
51.	510492-A	1	Tail Light Mount, LH
52.	032.225-3	12	Straw Walker Tine
53.	3.107.0484-1	1	Straw Walker Shaft
54.	3.901.0012-5	12	Set Screw, 3/8" x 3/4
55.	052.232-1	1	Threshing Cylinder, LH
56.	046.700-6	1	Threshing Cylinder, RH
57.	3.104.0221-6	82	Threshing Pin Clamp
58.	116033	82	Threshing Pin
59.	3.901.0103-2	164	Carriage Bolt, M12 x 45mm
60.	3.934.0001-7	166	Flat Washer, 1/2"
61.	3.103.0738-2	2	Cover, Final Sieve
62.	520204	1	Adjustment Plate, Center Vacuum Discharge
63.	510496-A	2	Tail Light Support Bracket
64.	009.827-6	1	Shield, Straw Walker Drive System
65.	005.466-3	2	Cover, Fan Inspection
66.	3.104.2460-5	1	Elevator Auger Front Adjustment Plate LH
67.	3.104.2461-3	1	Elevator Auger Front Adjustment Plate RH
68.	057.267-5	1	Shield, Straw Chopper Drive System RH
69.	034.716-2	1	Shield, Straw Chopper Drive System LH
70.	184.733-5	2	Threshing Cylinder End Cover
71.	3.104.2686-6	1	Rubber Strip Protector, Rear
72.	002.114-8	1	Air Adjustment Plate, RH
73.	057.417-3	1	Air Adjustment Plate, LH
74.	3.104.2689-9	8	Flangette Spacer, Elevator Augers
75.	022.089-7	2	Fan Air Adjustment
76.	3.104.2694-7	4	Side Access Cover
77.	3.104.2696-3	1	Slow Moving Sign Bracket
78.	3.104.2697-1	1	Front Access Cover
79.	3.104.2698-8	1	Chain Tensioner Bracket
80.	3.108.0300-4	2	Hydraulic Motor Mount Ear

Threshing Cylinder 2006 - 2008

Parts List

<u>Item</u>	<u>Part No.</u>	<u>Qty</u>	<u>Description</u>
81.	050.118-6	2	Rear Belt Upper Shield Latch
82.	040.079-4	2	Rear Belt Lower Shield Latch
83.	012.102-3	2	Support Plate, Elevator Leg
84.	511263		Threshing Cylinder Knife, Single (optional)
84a.	511264		Threshing Cylinder Knife, Double (optional)
84b.	111014		Threshing Cylinder Knife, (replacement no mount)
85.	119239	40	Chopper Blade
86.	119238	40	Chopper Blade Bushing
87.		40	Hex Bolt, 1/2" x 1 1/2" NC Gd. 8
87a.		40	Lock Nut, 1/2" NC Type C
88.	3.408.0036-7	1	Hydraulic Motor Mount
89.	034.256-3	1	Rubber Belting, 300mm x 2300mm
90.	520127-06	2	Gearbox Mount, Straw Chopper (2006 – 2007)
90a.	520127-08	2	Gearbox Mount, Straw Chopper (2008 – only)
91.	510476	2	Straw Discharge Side Door
92.	057.271-8	1	Straw Discharge Assembly, RH
93.	043.081-9	1	Straw Discharge Assembly, LH
94.	3.103.0742-2	2	Straw Discharge Side Door Pin
95.	3.103.0792-5	2	Straw Chopper (2006 – 2007)
95a.	511180	2	Straw Chopper (2008 – Present)
	510965	2	Straw Chopper Lower Bearing Seal Housing (2008 – Only) (not shown)
	119276	2	Straw Chopper Lower Bearing Seal (2008 – Present) (not shown)
	102100	4	Bearing, 35mm Straw Chopper (2006 – 2007) (not shown)
	106049	4	Flangette, 72 MS (2006 – 2007) (not shown)
	102212	4	Bearing, 45mm Insert (2008 – Present) (not shown)
	106070	4	Flangette, G85 MS (pair) (2008 – only) (not shown)
96.	048.503-9	1	Shield, Rear Belt LH
97.	031.843-1	1	Shield, Rear Belt RH
98.	3.906.0018-8	2	Cotter Pin, 1/8" x 1 1/2"
99.	3.901.0037-7	12	Bolt, M10 x 25mm
100.	3.901.0057-1	15	Bolt, 3/8" x 1"
101.	3.901.0063-6	3	Bolt, 3/8" x 2 1/2"
102.	3.901.0143-8	23	Carriage Bolt, M8 x 25mm
103.	3.901.0189-2	20	Carriage Bolt, M10 x 20mm
104.	3.902.0014-4	15	Nut, 3/8"
105.	3.902.0032-2	23	Nut, M10
106.	3.104.2700-2	2	Cross Auger Screen Cover
107.	510790	1	Front Handrail Assembly

406033 Twin Master Threshing Cylinder and Transition Auger Wear Kit			
510934 Threshing Cylinder Wear Ring	510887 Transition Auger Wear Ring	164	
			
8 Pieces	16 Pieces	165	166
510932 LH Transition Auger Paddle Wear Plate	510933 RH Transition Auger Paddle Wear Plate		
			
2 Pieces	2 Pieces	167	168



Threshing Cylinder 2006 - 2008

Parts List All Models

<u>Item</u>	<u>Part No.</u>	<u>Qty</u>	<u>Description</u>
108.	107026	1	Transition Auger Gear Box (2007 – 2008)
	119300	1	Input Seal for Gear Box 107026
	119301	1	Output Seal for Gear Box 107026
108a.	107014	1	Transition Auger Gear Box (2006 – only)
	119113	2	Seals for Gear Box 107014
109.	119219	1	Sprocket, H80P15
110.	102188	1	Bushing, P x 1 3/8" 6 Spline
111.	103151	58"	RS 80 Chain per foot
112.	119254	1	Sprocket, 80 – 12 Idler 5/8" Bore (2006 – only)
113.	119262	1	Sprocket, 80 – 12 Idler 3/4" Bore (2007 – 2008)
114.	102184	1	Bushing, Q x 60mm
115.	119218	9	Sprocket, H80Q21
116.	102187	2	Bushing, Q x 2 1/8"
117.	102186	4	Bushing, Q x 2"
118.	102185	2	Bushing, Q x 50mm
119.	510816-B	2	Coupler Shaft 2" x 5 3/4"
120.	103168	4	C8021 Coupler Chain with Connector and Offset
121.	107023	2	Straw Chopper Gear Box
	119274	1	Output Seal for Gear Box 107023 (large)
	119275	1	Input Seal for Gear Box 107023 (small)
122.	102171	2	Bushing, SD x 1 1/4"
123.	109004	4	Belt Tensioner Arm
124.	109005	4	Belt Tensioner Roller (includes bearings)
125.	102169	8	Bearing for 109005
126.	102284	2	V-Belt, 3RB64 Power Band
126a.	102114	6	V-Belt, B65 (2008 w / 540 / 390 Transmission only)
127.	119245	4	Sprocket, C50P18
128.	102182	2	Bushing, P x 1 1/4"
129.	102183	2	Bushing, P x 35mm
130.	103126	2	C5018 Coupler Chain
131.	109001	2	Belt Idler Roller (includes bearing)
132.	109002	2	Belt Idler Shaft
133.	109003	2	Belt Idler Mount
134.	102190	4	Bearing for 109001
135.	119228	3	Sprocket 50SDS21
136.	102147	3	Bushing, SDS x 35mm
137.	119297	2	Sprocket, 50 – 13 Idler 1/2" Bore
138.	103055	51.25"	RS 50 Chain per foot
139.	520163	2	Transition Auger Top Cover
140.	510911	2	Large Transition Auger Top Cover

Threshing Cylinder 2006 - 2008

Parts List All Models

<u>Item</u>	<u>Part No.</u>	<u>Qty</u>	<u>Description</u>
141.	511063	1	Straw Chopper Idler Adjustment Tool
142.	511093	1	Straw Chopper Idler Adjustment Tool Holder

Parts List Models with 540 / 390 Transmissions

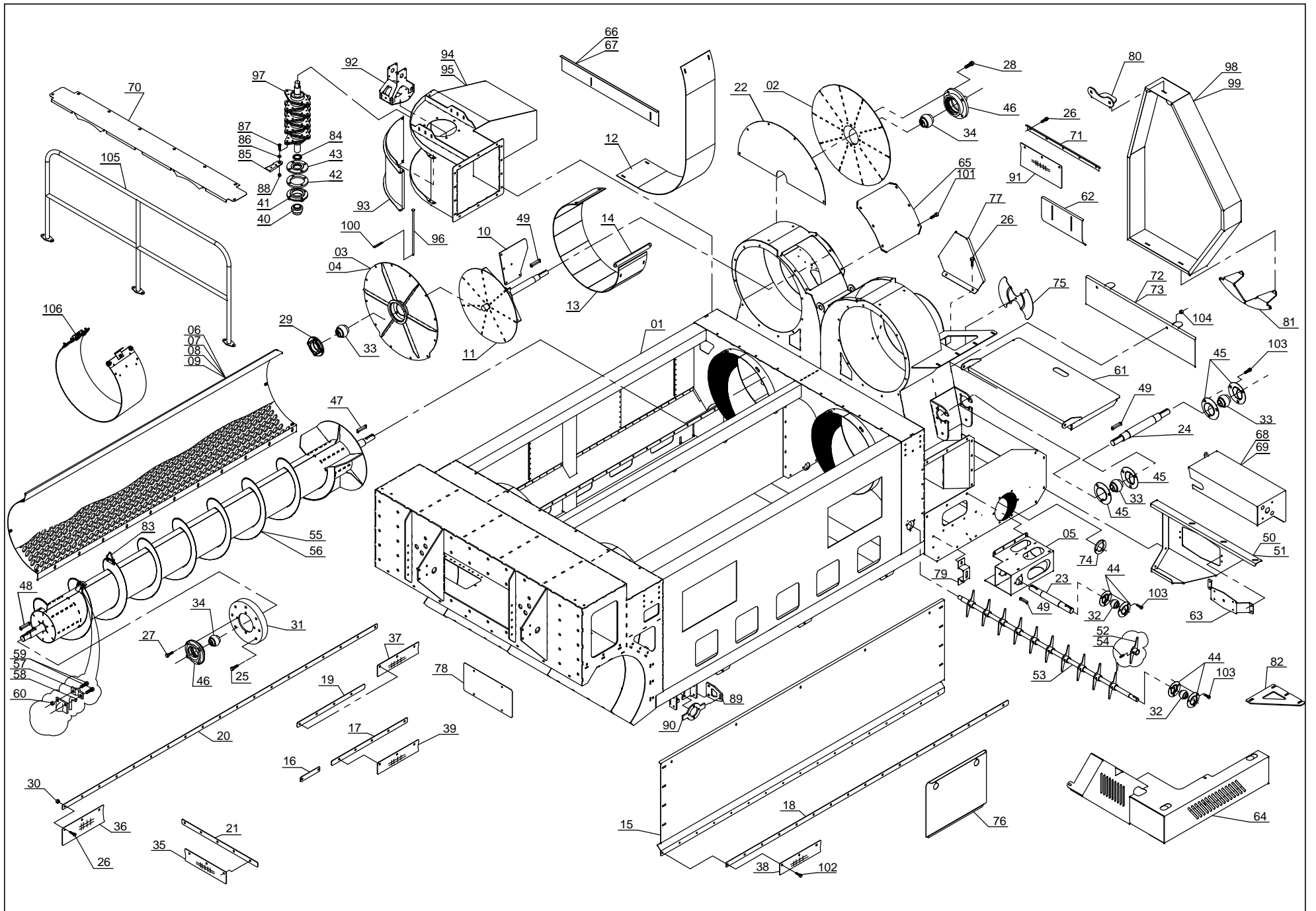
<u>Item</u>	<u>Part No.</u>	<u>Qty</u>	<u>Description</u>
143.	119187	8	Sheave, 3B5.4 SD
144.	102140	6	Bushing, SD x 35mm
145.	119246	2	Sheave, 6B18.4 SF
146.	102170	2	Bushing, SF x 45mm
147.	102251	2	V-Belt, 3RB103 Power Band
148.	102250	2	V-Belt, 3RB82 Power Band
149.	119188	2	Sheave, 3B4.8 SD (Optional – When Transmission is in Low Gear)
150.	102173	6	V-Belt B102 (Optional – When Transmission is in Low Gear)

Parts List Models with 500 / 350 Transmissions

<u>Item</u>	<u>Part No.</u>	<u>Qty</u>	<u>Description</u>
151.	510938	2	Belt Idler Adjustment Plate
152.	102218	2	V-Belt, 4R3VX-1060 Power Band
153.	119272	2	Sheave, 4-3V5.30 SDS
154.	102147	4	Bushing, SDS x 35mm
155.	119293	2	Sheave, 4-3V4.12 SH (Optional – When Transmission is in Low Gear)
156.	102201	2	Bushing, SH x 35mm
157.	119273	2	Sheave, 8-3V19.0 E
158.	102115-03	2	Bushing, E x 45mm
159.	102217	2	V-Belt, 4R3VX-850 Power Band
160.	119271	2	Sheave, 4-3V4.50 SDS
161.	119188	2	Sheave, 3B4.8 SD
162.	119187	2	Sheave, 3B5.4 SD
163.	102140	2	Bushing, SD x 35mm

Parts List Wear Kit is Not Included on New Machines

<u>Item</u>	<u>Part No.</u>	<u>Qty</u>	<u>Description</u>
164.	406033		Threshing Cylinder and Transition Auger Wear Kit
165.	510934	8	Threshing Cylinder Wear Ring (included in kit # 406033)
166.	510887	16	Transition Auger Wear Ring (included in kit # 406033)
167.	510932	2	LH Transition Auger Paddle Wear Plate (included in kit # 406033)
168.	510933	2	RH Transition Auger Paddle Wear Plate (included in kit # 406033)



Threshing Cylinder 2009 – Present

Parts List

<u>Item</u>	<u>Part No.</u>	<u>Qty</u>	<u>Description</u>
1.	3.103.0729-3	1	Frame, Threshing Cylinder
2.	011.284-6	2	Cover, Threshing Cylinder Rear Access
3.	040.358-8	1	Cover RH Fan Front Access
4.	036.461-3	1	Cover LH Fan Front Access
5.	068.282-0	1	Straw Walker Jack Shaft Mount
6.	123.843-5	1	Threshing Cylinder Concave Screen, 24mm (left side – left cylinder)
6a.	3.103.0746-3	1	Threshing Cylinder Concave Screen, 20mm (left side – left cylinder)
6b.	520140-22		Threshing Cylinder Concave Screen, 22mm (left side – left cylinder)
7.	123.835-8	1	Threshing Cylinder Concave Screen, 24mm (right side – left cylinder)
7a.	3.103.0747-1	1	Threshing Cylinder Concave Screen, 20mm (right side – left cylinder)
7b.	520141-22		Threshing Cylinder Concave Screen, 22mm (right side – left cylinder)
8.	123.829-8	1	Threshing Cylinder Concave Screen, 24mm (left side – right cylinder)
8a.	3.103.0748-8	1	Threshing Cylinder Concave Screen, 20mm (left side – right cylinder)
8b.	520142-22		Threshing Cylinder Concave Screen, 22mm (left side – right cylinder)
9.	123.842-1	1	Threshing Cylinder Concave Screen, 24mm (right side – right cylinder)
9a.	3.103.0749-6	1	Threshing Cylinder Concave Screen, 20mm (right side – right cylinder)
9b.	520143-22		Threshing Cylinder Concave Screen, 22mm (right side – right cylinder)
10.	510955	14	Replaceable Vacuum Fan Blade
11.	510956	2	Replaceable Blade Vacuum Fan Assembly
12.	109.693-0	2	Fan Discharge Wear Plate (2011 to Present)
13.	520192	2	Fan Shroud
14.	011.143-9	2	Fan Shroud Wear Bar (2013 to Present)
15.	3.104.2470-2	1	Threshing Cylinder Divider
16.	3.104.2678-5	2	Rubber Strip Protector, Middle (threshing cylinder divider)
17.	3.104.2681-7	2	Rubber Strip Protector, Rear (threshing cylinder divider)
18.	3.104.2682-5	2	Rubber Strip Protector, Front (threshing cylinder divider)
19.	3.104.2683-3	2	Rubber Strip Protector, Side Threshing Cylinder Housing
20.	3.104.2684-1	2	Rubber Strip Protector, Side of Shaker
21.	3.104.2685-8	2	Rubber Strip Protector, Front of Shaker
22.	021.960-8	4	Internal Rear Threshing Cylinder Cover
23.	3.107.0485-8	1	Jack Shaft, Straw Walker
24.	510953-A	2	Jack Shaft, Straw Chopper
25.	3.901.0076-6	14	Bolt, 5/8" x 1 1/2"
26.	3.901.0027-1	101	Carriage Bolt, M8 x 20mm
27.	3.901.0159-2	8	Bolt, 1/2" x 2"
28.	3.901.0160-8	8	Bolt, 1/2" x 2 1/2"
29.	106056	4	Flange, 45mm
30.	3.902.0053-3	105	Nut, M8
31.	060.325-8	2	Front Bearing Flange Mount
32.	102100	6	Bearing, 35mm Insert
33.	102116	8	Bearing, 45mm Insert
34.	102161	4	Bearing, 60mm Insert
35.	3.911.0107-5	1	Rubber Belting, 110mm x 2010mm

Threshing Cylinder 2009 – Present





Parts List

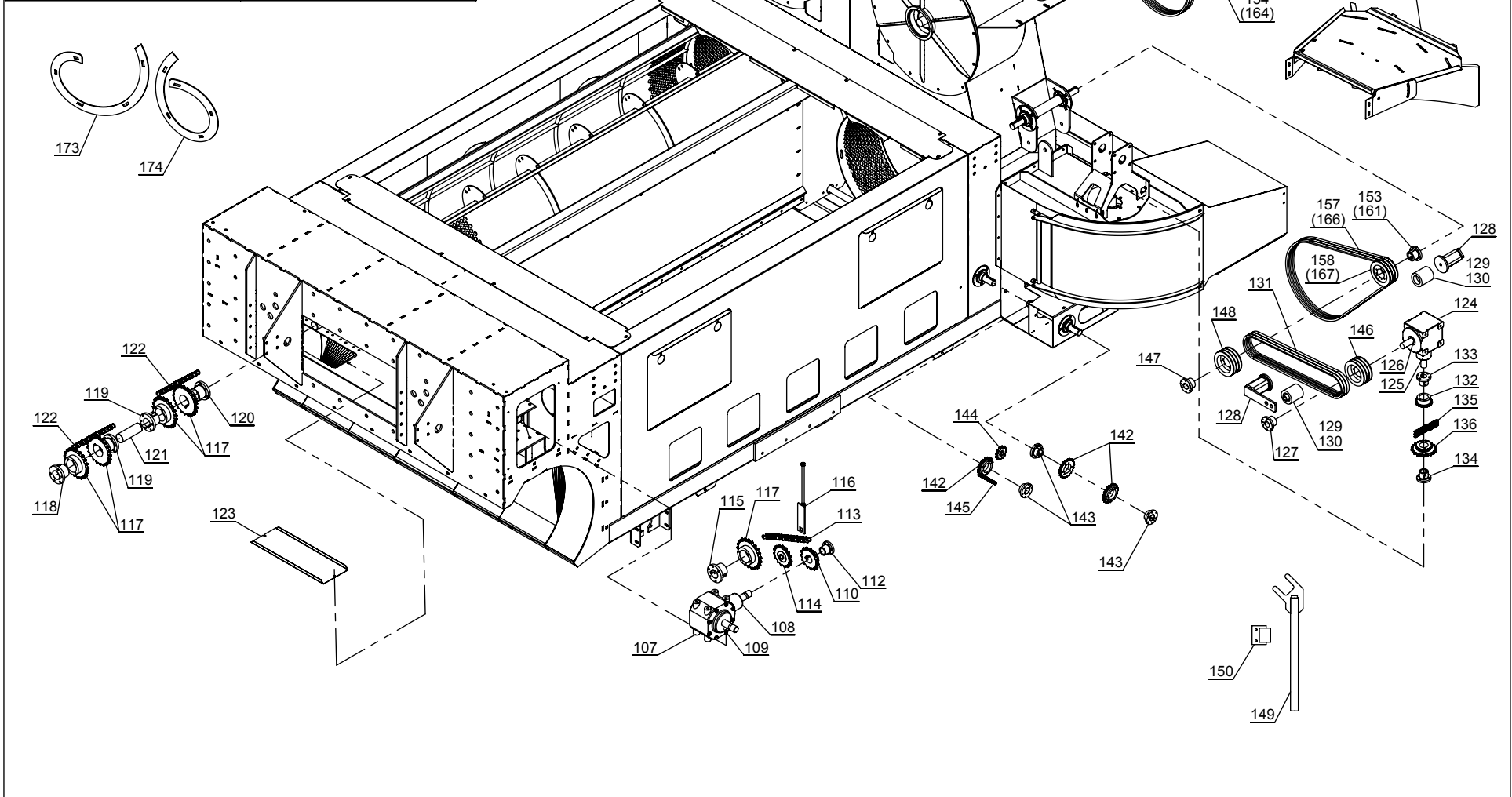
<u>Item</u>	<u>Part No.</u>	<u>Qty</u>	<u>Description</u>
36.	3.911.0108-3	2	Rubber Belting, 160mm x 2850mm
37.	3.911.0109-1	2	Rubber Belting, 110mm x 600mm
38.	3.911.0110-7	2	Rubber Belting, 110mm x 2460mm
39.	3.911.0111-5	2	Rubber Belting, 110mm x 970mm
40.	102212	4	Bearing, 45mm Straw Chopper
41.	033.942-6	4	Flange, 45mm
42.	511096	2	Straw Chopper Lower Bearing Spacer
43.	511095	2	Straw Chopper Lower Bearing Seal Holder
44.	106049	6	Flangette, 72 MS (pair)
45.	106070	4	Flangette, G85 MS (pair)
46.	065.609-1	4	Flange, 60mm
47.	111007		Keystock 14mm x 9mm (12")
48.	111010		Keystock 18mm x 11mm (12")
49.	111008		Keystock 10mm x 8mm (12")
50.	510493	1	Tail Light Mount, RH
51.	510492	1	Tail Light Mount, LH
52.	032.225-3	12	Straw Walker Tine
53.	3.107.0484-1	1	Straw Walker Shaft
54.	3.901.0012-5	12	Set Screw, 3/8" x 3/4
55.	052.232-1	1	Threshing Cylinder, LH
56.	046.700-6	1	Threshing Cylinder, RH
57.	126.156-1	82	Cast Threshing Pin Clamp (2014 to Present)
57a.	3.104.0221-6	82	Threshing Pin Clamp (2009 to 2013)
58.	116033	82	Threshing Pin
59.	3.901.0103-2	164	Carriage Bolt, M12 x 45mm
60.	3.902.0050-9	224	Flange Nut, M12
61.	3.103.0738-2	2	Cover, Final Sieve
62.	520204	1	Adjustment Plate, Center Vacuum Discharge
63.	510496-A	2	Tail Light Support Bracket
64.	009.827-6	1	Shield, Straw Walker Drive System
65.	005.466-3	2	Cover, Fan Inspection
66.	3.104.2460-5	1	Elevator Auger Front Adjustment Plate LH
67.	3.104.2461-3	1	Elevator Auger Front Adjustment Plate RH
68.	057.267-5	1	Shield, Straw Chopper Drive System RH
69.	034.716-2	1	Shield, Straw Chopper Drive System LH
70.	184.733-5	2	Threshing Cylinder End Cover
71.	3.104.2686-6	1	Rubber Strip Protector, Rear
72.	002.114-8	1	Air Adjustment Plate, RH
73.	057.417-3	1	Air Adjustment Plate, LH
74.	3.104.2689-9	8	Flangette Spacer, Elevator Augers
75.	022.089-7	2	Fan Air Adjustment
76.	520164-A	4	Side Access Cover
77.	3.104.2696-3	1	Slow Moving Sign Bracket

Threshing Cylinder 2009 – Present

Parts List

<u>Item</u>	<u>Part No.</u>	<u>Qty</u>	<u>Description</u>
78.	3.104.2697-1	1	Front Access Cover
79.	3.104.2698-8	1	Chain Tensioner Bracket
80.	050.118-6	2	Rear Belt Upper Shield Latch
81.	040.079-4	2	Rear Belt Lower Shield Latch
82.	012.102-3	2	Support Plate, Elevator Leg
83.	511263	4	Threshing Cylinder Knife, Single
83a.	511264		Threshing Cylinder Knife, Double (optional)
83b.	111014		Threshing Cylinder Knife, (replacement no mount)
84.	119276	2	Seal, Lower Straw Chopper Bearing
85.	119239	32	Chopper Blade
86.	119238	32	Chopper Blade Bushing
87.		32	Hex Bolt, M12-P1.75 x 35 Gd. 10.9
88.		32	Lock Nut, M12-P1.75 Type C
89.	3.108.0300-4	2	Hydraulic Motor Mount Ear
90.	3.408.0036-7	1	Hydraulic Motor Mount
91.	034.256-3	1	Rubber Belting, 300mm x 2300mm
92.	025.087-9	2	Gearbox Mount, Straw Chopper (2009 – Present)
93.	128.763-0	2	Straw Discharge Side Door (15° Offset, 2014 to Present)
93a.	510476	2	Straw Discharge Side Door (Straight, 2009 To 2013)
94.	128.765-8	1	Straw Discharge Assembly, RH (15° Offset, 2014 to Present)
94a.	057.271-8	1	Straw Discharge Assembly, RH (Straight, 2009 to 2013)
95.	122.539-0	1	Straw Discharge Assembly, LH (15° Offset, 2014 to Present)
95a.	043.081-9	1	Straw Discharge Assembly, LH (Straight, 2009 to 2013)
96.	3.103.0742-2	2	Straw Discharge Side Door Pin
97.	511180	2	Straw Chopper
98.	048.503-9	1	Shield, Rear Belt LH
99.	031.843-1	1	Shield, Rear Belt RH
100.	3.906.0018-8	2	Cotter Pin, 1/8" x 1 1/2"
101.	3.901.0037-7	12	Bolt, M10 x 25mm
102.	3.901.0143-8	23	Carriage Bolt, M8 x 25mm
103.	3.901.0189-2	20	Carriage Bolt, M10 x 20mm
104.	3.902.0052-5	23	Nut, M10
105.	510790	1	Front Handrail Assembly
106.	102205-A	2	Concave Belt Kit
Not Shown	511322		Fan center wear part UHMW
Not Shown	520149		RH Threshing cylinder replacement flighting (1 wrap approx. 16")
Not Shown	520150		LH Threshing cylinder replacement flighting (1 wrap approx. 16")
Not Shown	3.104.0127-7		Threshing Pin gusset
Not Shown	510175		Threshing Pin pocket
Not Shown	520151		Threshing cylinder input carrier
Not Shown	520152		Threshing cylinder output carrier

406033 Twin Master Threshing Cylinder and Transition Auger Wear Kit			
510934 Threshing Cylinder Wear Ring	510887 Transition Auger Wear Ring	168	
		8 Pieces	16 Pieces
169	170		
510932 LH Transition Auger Paddle Wear Plate	510933 RH Transition Auger Paddle Wear Plate	171	
		2 Pieces	2 Pieces
171	172		



Threshing Cylinder 2009 – Present

Parts List		<u>All Models</u>	
<u>Item</u>	<u>Part No.</u>	<u>Qty</u>	<u>Description</u>
107.	107026	1	Transition Auger Gear Box (2009-2018)
107a.	107041	1	Transition Auger Gear Box (2019-Present)
108.	119300	1	Input Seal for Gear Box 107026 & 107041
109.	119301	1	Output Seal for Gear Box 107026 (2009-2018)
109a.	119301-20	1	Output Seal for Gear Box 107041 (2019-Present)
110.	119219	1	Sprocket, H80P15
111.	119340		Sprocket, H80P12 (optional, not shown)
112.	102188	1	Bushing, P x 1 3/8" 6 Spline
113.	103151	58"	RS 80 Chain per foot
114.	119262	1	Sprocket, 80 – 12 Idler 3/4" Bore
115.	102184	1	Bushing, Q x 60mm
116.	511077	1	Idler Adjuster w/Draw Bolt
117.	119218	9	Sprocket, H80Q21
118.	102187	2	Bushing, Q x 2 1/8"
119.	102186	4	Bushing, Q x 2"
120.	102185	2	Bushing, Q x 50mm
121.	510816-B	2	Coupler Shaft
122.	103168	4	C8020 Coupler Chain with Connector and Offset
123.	520163	2	Transition Auger Top Cover
124.	107023	2	Straw Chopper Gear Box
125.	119274	2	Output Seal for Gear Box 107023 (large)
126.	119275	2	Input Seal for Gear Box 107023 (small)
127.	102171	2	Bushing, SD x 1 1/4"
128.	109004	4	Belt Tensioner Arm
129.	109005	4	Belt Tensioner Roller (includes bearings)
130.	102169	8	Bearing for 109005
131.	102284	2	V-Belt, 3RB64 Power Band
132.	119245	2	Sprocket, C50P18
133.	102182	2	Bushing, P x 1 1/4"
134.	102183	2	Bushing, P x 35mm
135.	103126	2	C5018 Coupler Chain
136.	119302	2	Sprocket, Coupler / Sensor
137.	109001	2	Belt Idler Roller (includes bearing)(2009-2018)
137a.	109011	2	Belt Idler Roller (includes bearing)(2019-Present)
138.	102190	4	Bearing for 109001 (2009-2018)
138a.	102252	4	Bearing for 109011 (2019-Present)
139.	109002	2	Belt Idler Shaft (2009-2018)
139a.	109012	2	Belt Idler Shaft (2019-Present)
140.	109003	2	Belt Idler Mount
141.	510938-A	2	Belt Idler Adjustment Plate
142.	119228	3	Sprocket 50SDS21
143.	102147	3	Bushing, SDS x 35mm

Threshing Cylinder 2009 – Present

Parts List		<u>All Models</u>	
<u>Item</u>	<u>Part No.</u>	<u>Qty</u>	<u>Description</u>
144.	119297	2	Sprocket, 50 – 13 Idler 1/2" Bore
145.	103055	51.25"	RS 50 Chain per foot
146.	119187	2	Sheave, 3B5.4 SD
147.	102140	2	Bushing, SD x 35mm
148.	119188	2	Sheave, 3B4.8 SD
149.	511063	1	Straw Chopper Idler Adjustment Tool
150.	511093	1	Straw Chopper Idler Adjustment Tool Holder
151.	119236	2	Straw Spreader

Parts List		<u>Models with 540 / 390 Transmissions</u>	
<u>Item</u>	<u>Part No.</u>	<u>Qty</u>	<u>Description</u>
152.	119187	2	Sheave, 3B5.4 SD
153.	102140	4	Bushing, SD x 35mm
154.	119246	2	Sheave, 6B18.4 SF
155.	102170	2	Bushing, SF x 45mm
156.	102251	2	V-Belt, 3RB103 Power Band
157.	102250	2	V-Belt, 3RB82 Power Band
158.	119188	4	Sheave, 3B4.8 SD (Optional – When Transmission is in Low Gear)

Parts List		<u>Models with 500 / 350 Transmissions</u>	
<u>Item</u>	<u>Part No.</u>	<u>Qty</u>	<u>Description</u>
159.	102218	2	V-Belt, 4R3VX-1060 Power Band
160.	119272	2	Sheave, 4-3V5.30 SDS
161.	102147	4	Bushing, SDS x 35mm
162.	119293	2	Sheave, 4-3V4.12 SH (Optional – When Transmission is in Low Gear)
163.	102201	2	Bushing, SH x 35mm
164.	119273	2	Sheave, 8-3V19.0 E
165.	102115-03	2	Bushing, E x 45mm
166.	102217	2	V-Belt, 4R3VX-850 Power Band
167.	119271	2	Sheave, 4-3V4.50 SDS

Parts List		<u>Wear Kit is Not Included on New Machines</u>	
<u>Item</u>	<u>Part No.</u>	<u>Qty</u>	<u>Description</u>
168.	406033		Threshing Cylinder and Transition Auger Wear Kit
169.	510934	8	Threshing Cylinder Wear Ring (included in kit # 406033)
170.	510887	16	Transition Auger Wear Ring (included in kit # 406033)
171.	510932	2	LH Transition Auger Paddle Wear Plate (included in kit # 406033)
172.	510933	2	RH Transition Auger Paddle Wear Plate (included in kit # 406033)
173.	520205	1	RH Replaceable Cylinder Flighting (2010 – present)
174.	520206	1	LH Replaceable Cylinder Flighting (2010 – present)