

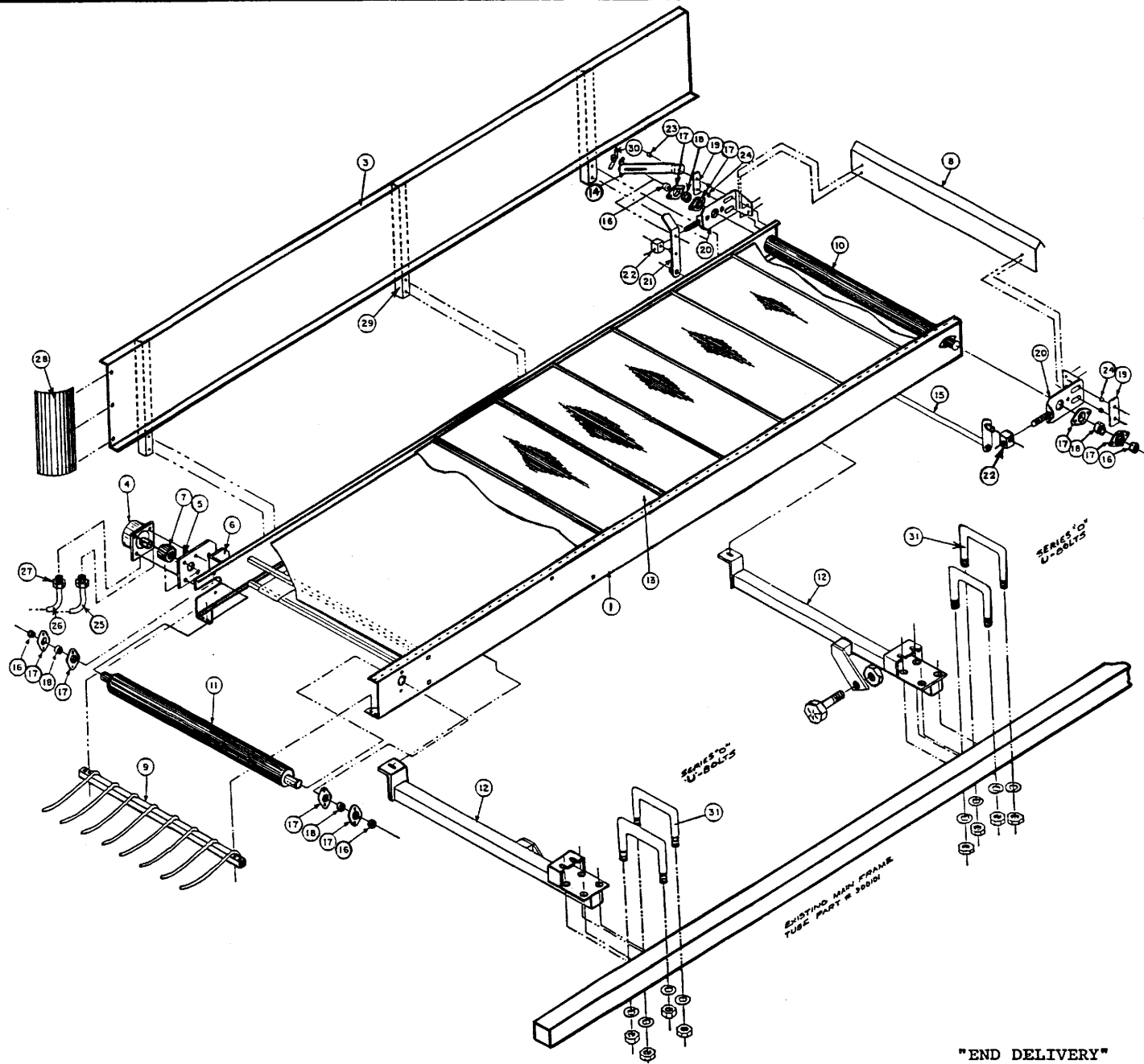
One Step Rod Cutter Rear Pull

Semi-End Dump Trays

Section 9

Model Years 1988 – 1990	2-3
Model Years 1991 – 1992	4-5
Model Years 1993 – 1994	6-13
Model Years 1995 – Present.....	14-25
Model Years 2005 – Present (12 Row 30).....	26-29
42” Wide Trays	30-35
Belt Part Numbers & Lengths.....	36

Return to this page by clicking the upper right corner of any page in this section.



"END DELIVERY"

SEMI-END DUMP ASSEMBLY--(1988–1990) (118" Tray)**Parts List**

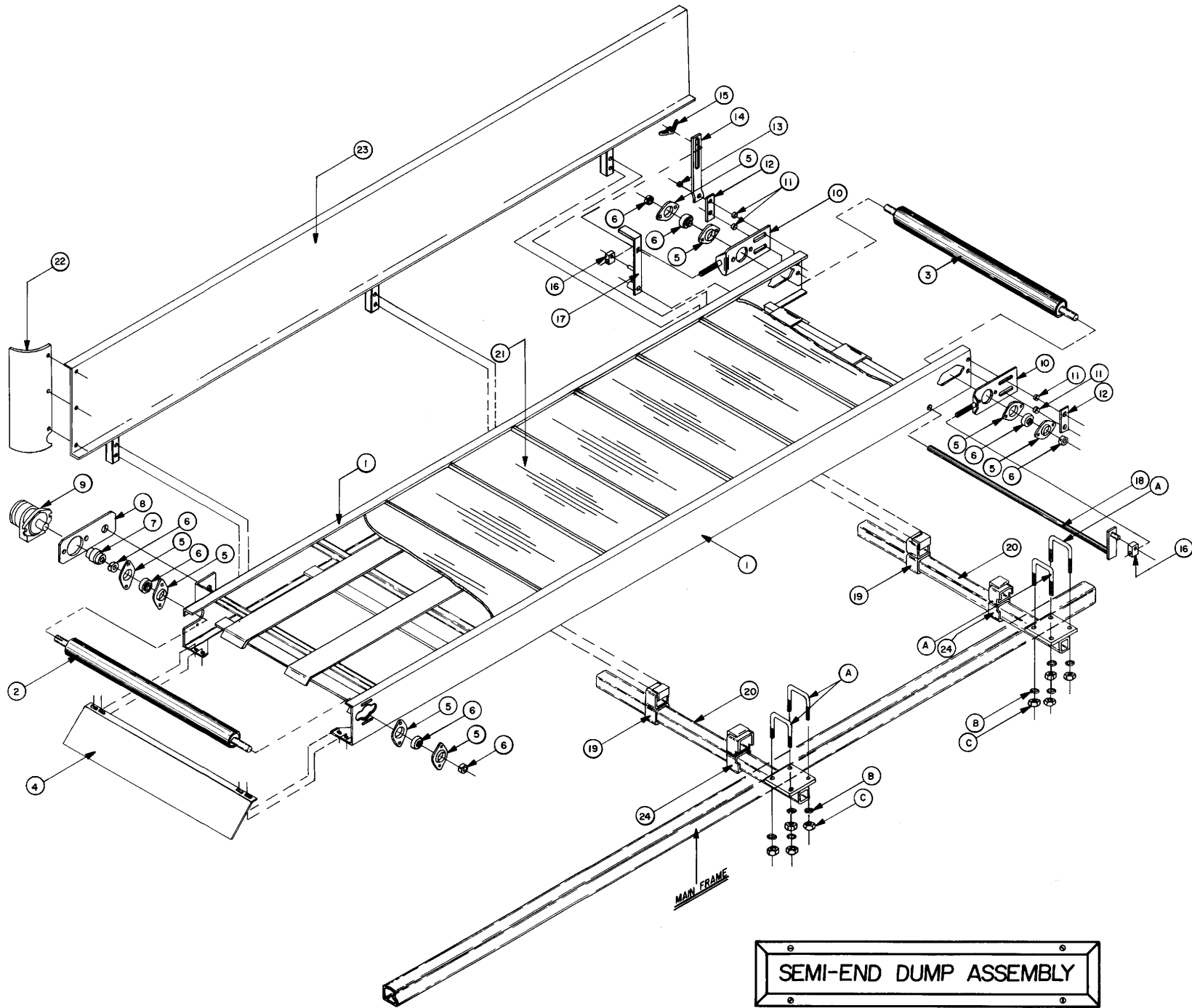
<u>Item No.</u>	<u>Obsolete No.</u>	<u>Part No.</u>	<u>Description</u>
1.	900053	900053*	Tray Assembly
3.	900013	900013	Tray Back
4.	101-1757	113022	Hydraulic Motor (See Conversion Information Below)
5.	900040	900040*	Motor Mount
6.	900041	900041*	Motor Mount Base
7.	900042	103018	1" × ¾" × 3" Split Coupler
8.	P-900-054	902283*	Tray End Deflector
9.	P-502-513	P-502-513*	LH Tines Deflector
10.	P-240-696	900367	Cross Conveyor Roller–No Key
11.	P-240-697	900366	Cross Conveyor Roller–Keyed
12.	804116	900160*	Cross Conveyor Support Arm (specify left or right)
13.	P-407-62	102023	Draper Belt (234")
14.	P-202-906	900199	Brace Belt Tightener
15.	P-438-16	900386	Crank Tightener
17.	P-13-74	106003	Flangett Housing
18.	P-202-103	102004	¾" Bearing with Lock Collar
19.	P-123-324	900277	Bearing Bracket Clamp
20.	P-20-2905	900038	Belt Tightener Bracket (1988 Version)
21.	P-432-229	900575	Belt Tightener Lever
22.	P-214-66	900313	Swivel Adapter
23.	P-313-417	900499	Tightener Spacer (5/32")
24.	P-313-418	900498	Bearing Bracket Spacer (5/16")
25.	E16	E16	Hydraulic Return Hose ½" × 138"
26.	E17	E17	Hydraulic Pressure Hose ½" × 120"
27.	1501-6-8	101007	Hydraulic Hose Fittings
28.	900016	900016	Tray Back End Deflector, RH
29.	900014	900014	Tray Back Vertical Supports
31.	#30	121003	Type D, U-Bolt

* This part is manufactured on a built-to-order basis only. Call Pickett Equipment for availability and lead time.

♣ Conversion Kits Available

<u>Kit No.</u>	<u>Description</u>
405005	1988-1990 Semi-end Dump Hydraulic Motor Conversion Kit **

** For 1989 model machines with aluminum manifold valves, contact Pickett Equipment for conversion update information.



SEMI-END DUMP ASSEMBLY

SEMI-END DUMP ASSEMBLY (1991–1992) (118" Tray)

Parts List

<u>Item No.</u>	<u>Part No.</u>	<u>Description</u>
1.	900008	Semi-end Dump Tray Assembly } Replaced by 902259
2.	900366	Cross Conveyor Roller–Keyed
3.	900367	Cross Conveyor Roller–without Key
4.	900054	Right End Deflector Tray
5.	106003	Flangett, 2-Hole
6.	102004	Bearing, 3/4" Insert with Lock Collar
7.	103018	Coupler, 1" × 3/4" Split
8.	900040	Hydraulic Motor Mount
9.	113022	Motor, Canvas } Replaces 113001
10.	900038*	Belt Tightener Bracket Assembly
11.	900498	Bracket Spacer
12.	900277	Bearing Bracket Clamp
13.	900499	Tightener Spacer
14.	900199	Belt Tightener
15.	106016	Fastener, Wing
16.	900313	Swivel Adapter
17.	900575	Belt Tightener Lever Assembly
18.	900386	Crank Tightener Assembly
19.	900231*	Tray Mount Slide Locks without Notch
20.	900234*	Tray Support Arms
21.	102023	Belt, SE Draper with Bar (234")
22.	900016	Tray Back End Deflector RH
23.	900007	Tray Back Assembly
24.	900582*	Tray Mount Slide Lock with Notch
Not Shown	900500	Complete Tray Assembly } Replaced by 902260

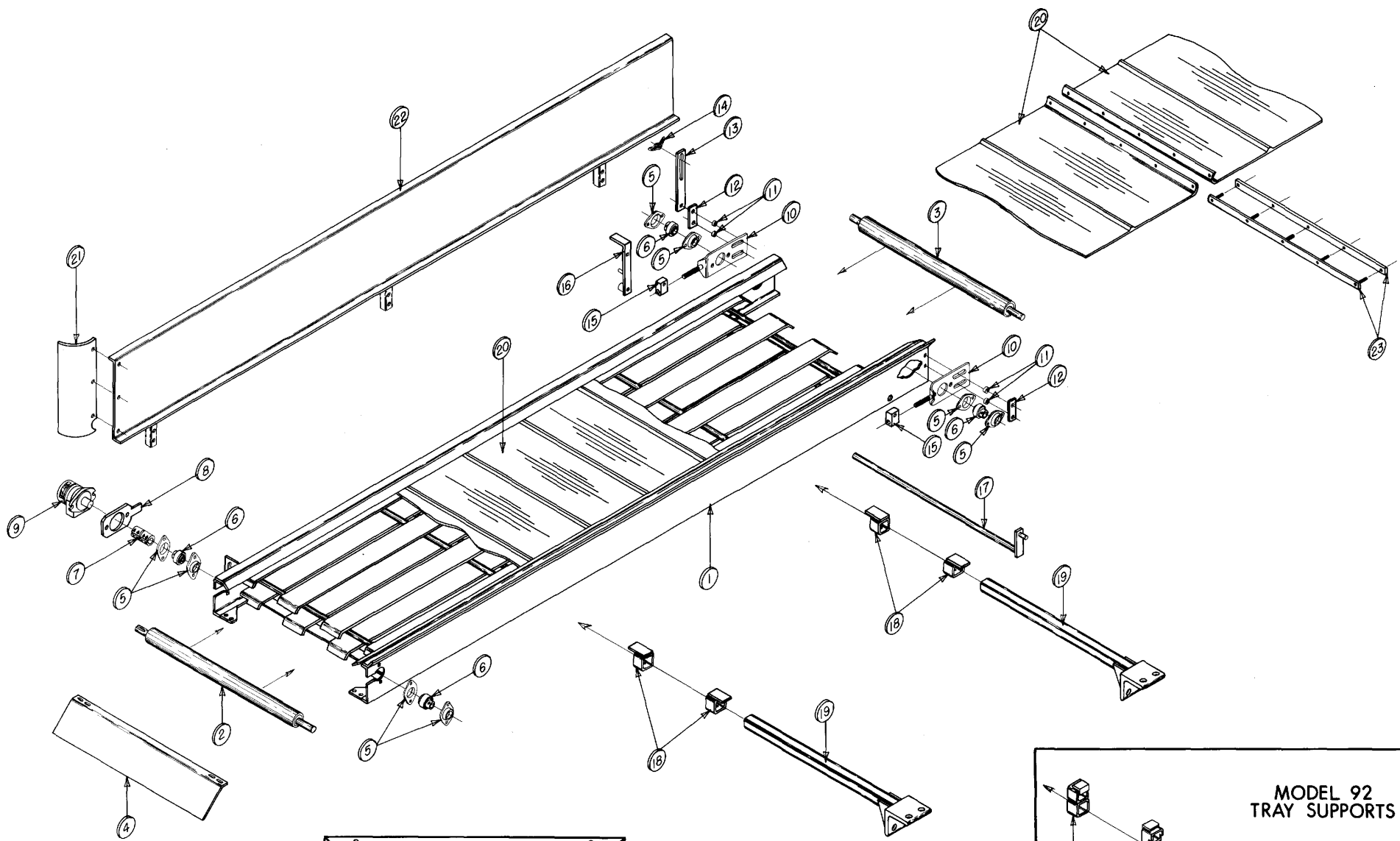
*This part is manufactured on a built-to-order basis only. Call Pickett Equipment for availability and lead time.

Hardware List

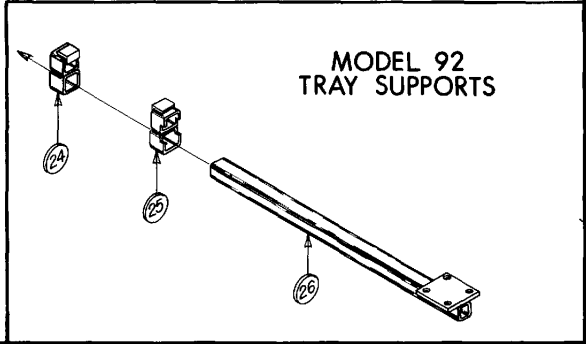
<u>Item No.</u>	<u>Part No.</u>	<u>Description</u>
A.	121003	U-Bolt, Type D 5/8" × 3" W × 4 1/2" L
B.		5/8" Lock Washer
C.		5/8" NC Hex Nut

♣ Conversion Kits Available (See Service Update Section of this parts book)

<u>Kit No.</u>	<u>Description</u>
900755	Semi-end Tray Arm Kit (converts model '92 to '93)



SEMI-END DUMP ASSEMBLY



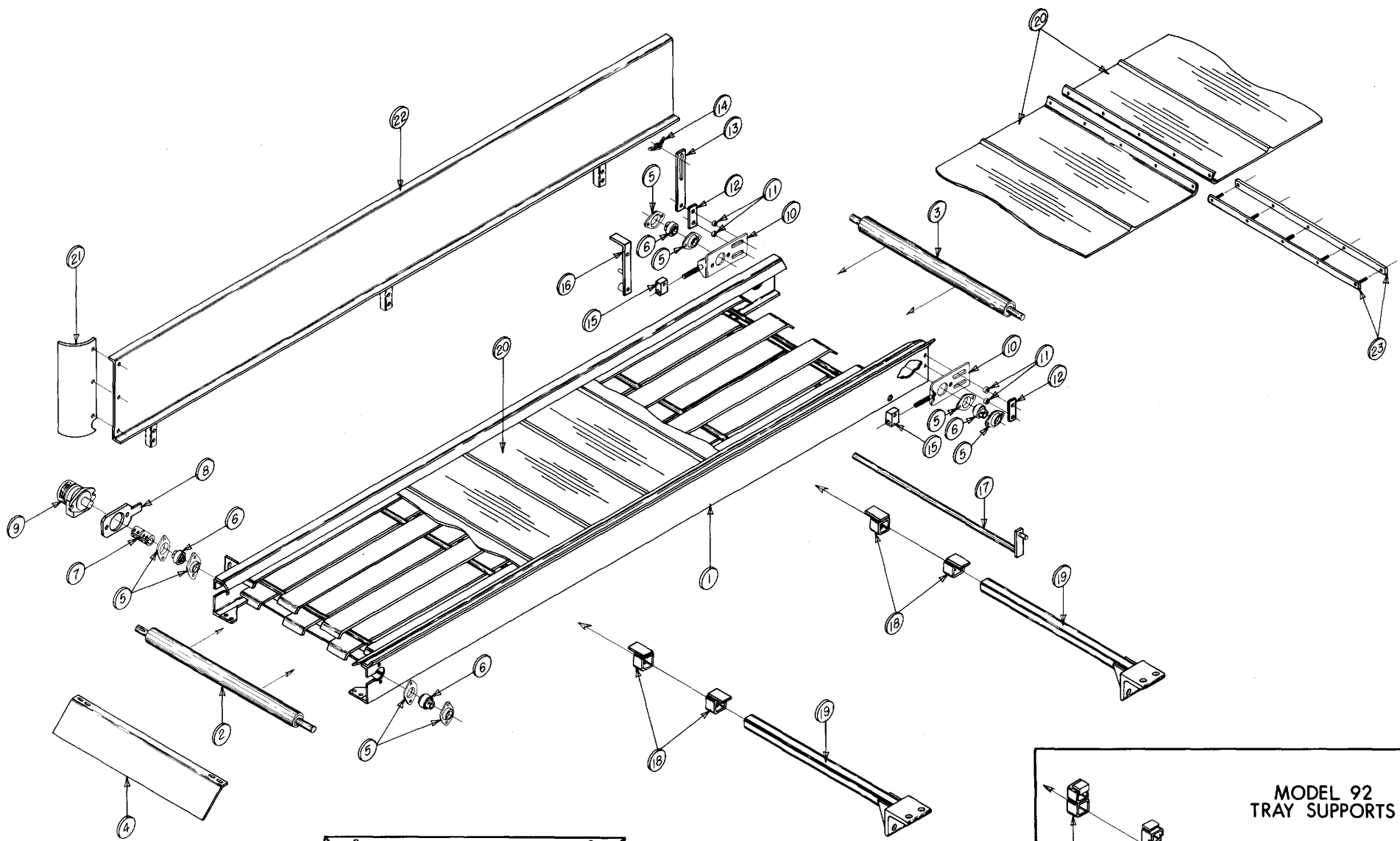
SEMI-END DUMP ASSEMBLY 4 Row 30" (1993–1994) (76" Tray)**Parts List**

<u>Item No.</u>	<u>Part No.</u>	<u>Description</u>
1.	900260	Semi-end Dump Tray }Replaced by 902242
2.	900366	Crowned Roller–Keyed
3.	900367	Conveyor Roller–No Key
4.	900278	Right End Deflector Tray
5.	106003	Flangett, 2-Hole
6.	102004	Bearing, 3/4" Insert with Lock Collar
7.	103018	Coupler, 1" × 3/4" Split
8.	900225	Hydraulic Motor Mount
9.	113022	Motor, Canvas (MG Series)
10.	900038★	Belt Tightener Bracket
11.	900498	Bracket Spacer
12.	900277	Bearing Bracket Clamp
13.	900199	Belt Tightener
14.	106016	Fastener, Wing
15.	900313	Swivel Adapter
16.	900575	Belt Tightener Lever
17.	900386	Crank Tightener
18.	900551	Tray Mount Slide Locks
19.	900583	Tray Support Arm (See Hardware: A,B,C,D)
20.	102069	Belt, SE Draper with Bar (150")
21.	900016	Tray Back Deflector, RH
22.	902007	Tray Back
23.	102020	Belt Connector Bar with Bolts
24.	900231★	Tray Mount Slide Lock without Notch
25.	900582★	Tray Mount Slide Lock with Notch
26.	900234★	Tray Support Arm (See Hardware: E,F,G)
Not Shown	900001	Complete Semi-End Dump Tray Assembly }Replaced by 902244

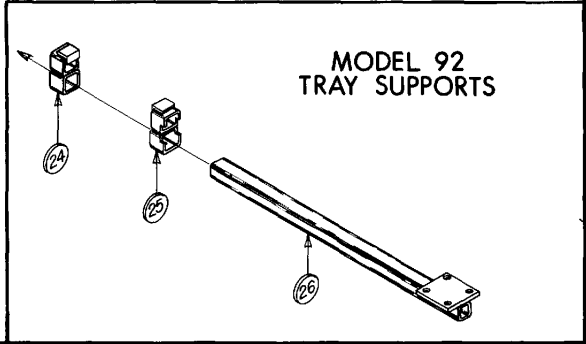
★ This part is manufactured on a built-to-order basis only. Call Pickett Equipment for availability and lead time.

Hardware List

<u>Item No.</u>	<u>Part No.</u>	<u>Description</u>
A.	118025	1/2" × 5 1/2" NC Eye Bolt
B.		1/2" × 5" NC Hex Bolt
C.		1/2" Lock Washer
D.		1/2" NC Hex Nut
E.	121003	U-Bolt, Type D–5/8" × 3" Wide × 4 1/2" Long
F.		5/8" Lock Washer
G.		5/8" NC Hex Nut



SEMI-END DUMP ASSEMBLY



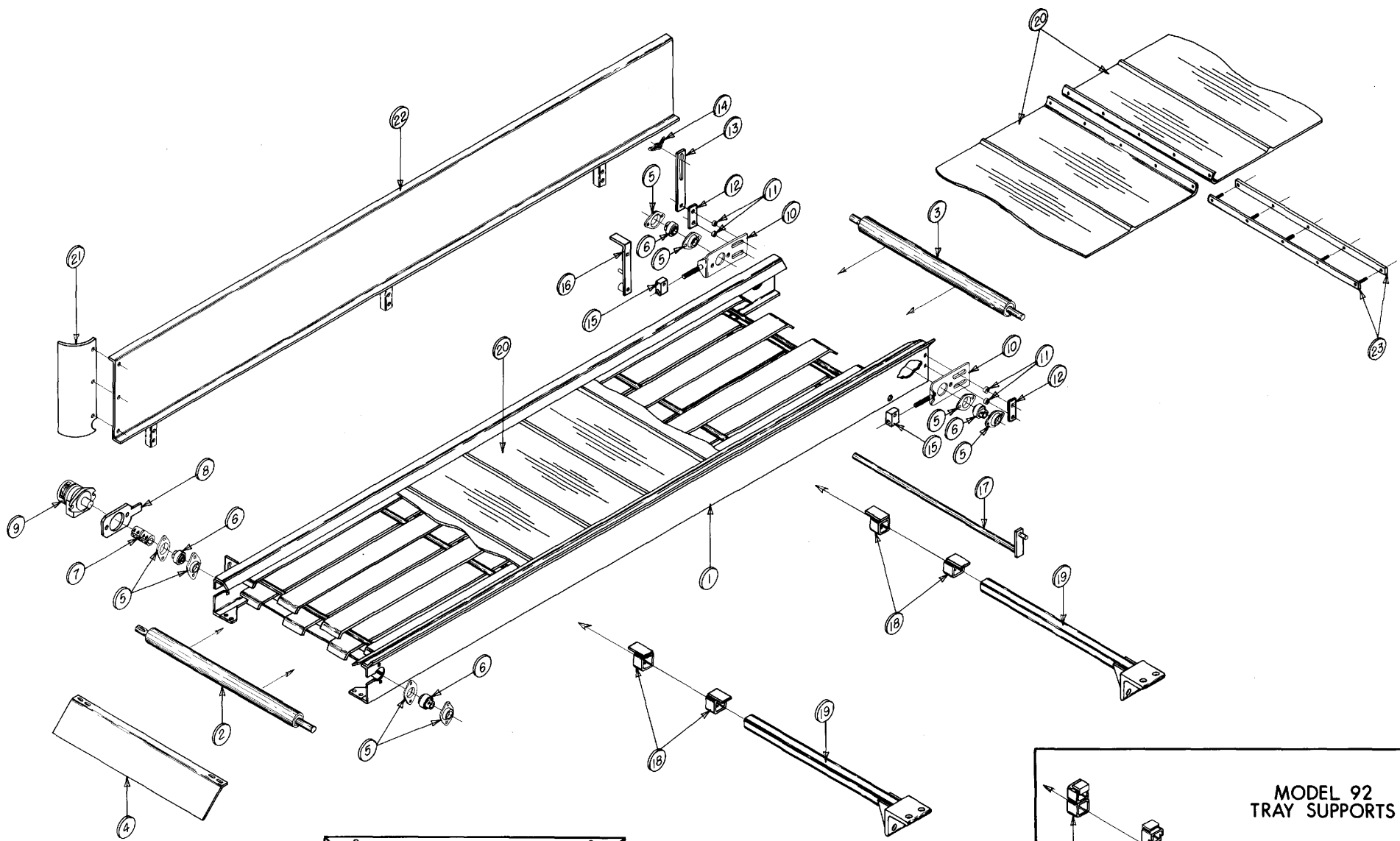
SEMI-END DUMP ASSEMBLY, 4 Row 36" (1993–1994) (82" Tray)**Parts List**

<u>Item No.</u>	<u>Part No.</u>	<u>Description</u>
1.	902077	Semi-end Dump Tray }Replaced by 902246
2.	900366	Crowned Roller–Keyed
3.	900367	Conveyor Roller–No Key
4.	900278	Right End Deflector Tray
5.	106003	Flangett, 2-Hole
6.	102004	Bearing, 3/4" Insert with Lock Collar
7.	103018	Coupler, 1" x 3/4" Split
8.	900225	Hydraulic Motor Mount
9.	113022	Motor, Canvas (MG Series)
10.	900038★	Belt Tightener Bracket
11.	900498	Bracket Spacer
12.	900277	Bearing Bracket Clamp
13.	900199	Belt Tightener
14.	106016	Fastener, Wing
15.	900313	Swivel Adapter
16.	900575	Belt Tightener Lever
17.	900386	Crank Tightener
18.	900551	Tray Mount Slide Locks
19.	900583	Tray Support Arm (See Hardware: A,B,C,D)
20.	102070	Belt, SE Draper with Bar (162")
21.	900016	Tray Back Deflector, RH
22.	902198	Tray Back
23.	102020	Belt Connector Bar with Bolts
24.	900231*	Tray Mount Slide Lock without Notch
25.	900582*	Tray Mount Slide Lock with Notch
26.	900234*	Tray Support Arm (See Hardware: E,F,G)
Not Shown	902079	Complete Semi-End Dump Tray Assembly }Replaced by 902248

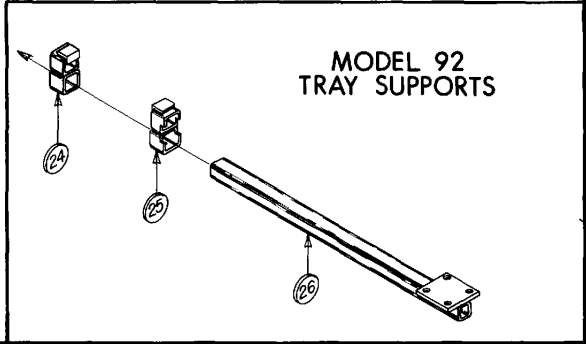
* This part is manufactured on a built-to-order basis only. Call Pickett Equipment for availability and lead time.

Hardware List

<u>Item No.</u>	<u>Part No.</u>	<u>Description</u>
A.	118025	1/2" x 5 1/2" NC Eye Bolt
B.		1/2" x 5" NC Hex Bolt
C.		1/2" Lock Washer
D.		1/2" NC Hex Nut
E.	121003	U-Bolt, Type D 5/8" x 3" Wide x 4 1/2" Long
F.		5/8" Lock Washer
G.		5/8" NC Hex Nut



SEMI-END DUMP ASSEMBLY



SEMI-END DUMP ASSEMBLY, 6 Row 28, 6 Row 30 & 8 Row 22 (1993–1994) (118" Tray)

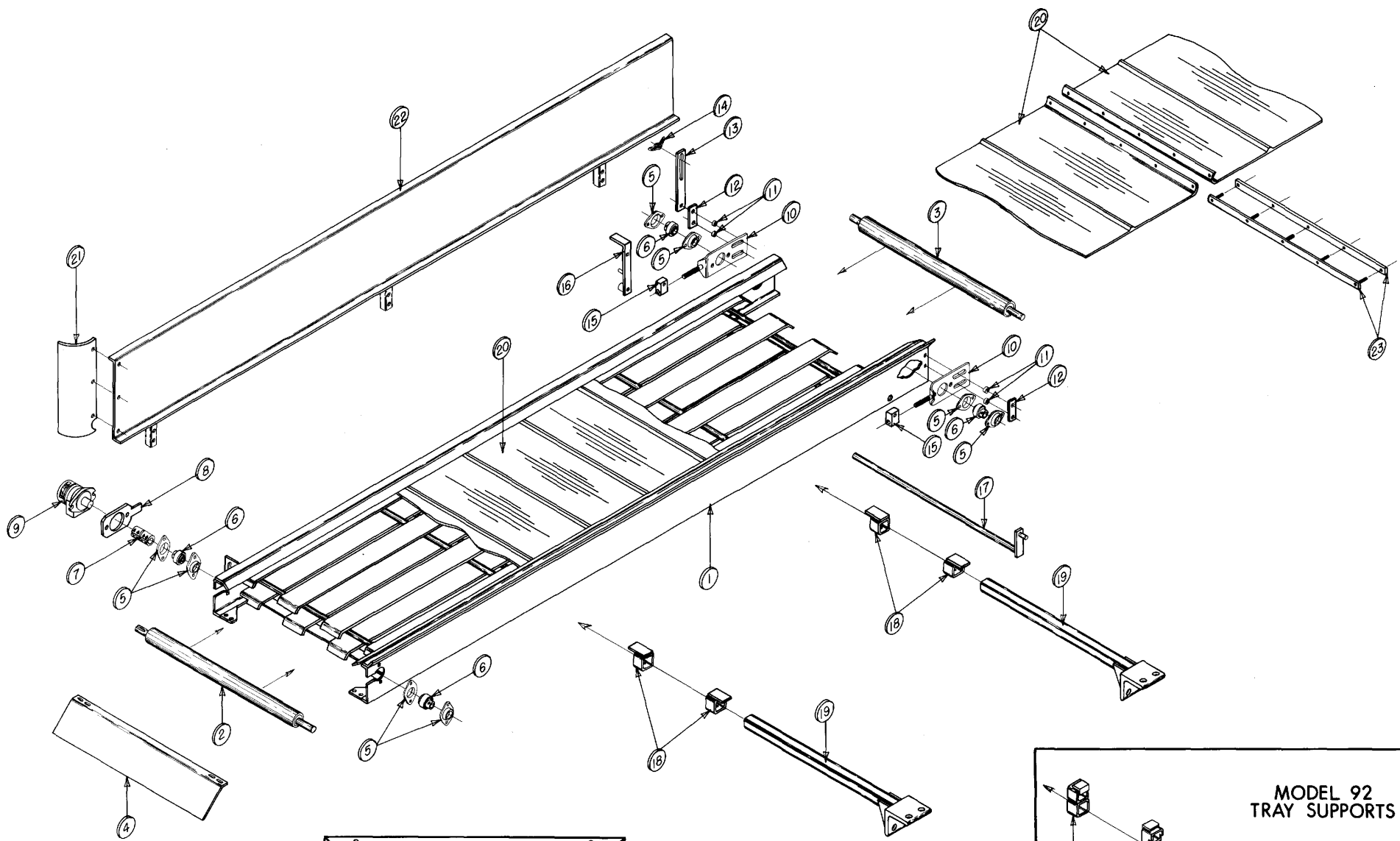
Parts List

<u>Item No.</u>	<u>Part No.</u>	<u>Description</u>
1.	900008	Semi-end Dump Tray } Replaced by 902259
2.	900366	Crowned Roller–Keyed
3.	900367	Conveyor Roller–No Key
4.	900278	Right End Deflector Tray
5.	106003	Flangett, 2-Hole
6.	102004	Bearing, ¾" Insert with Lock Collar
7.	103018	Coupler, 1" × ¾" Split
8.	900225	Hydraulic Motor Mount
9.	113022	Motor, Canvas
10.	900038★	Belt Tightener Bracket
11.	900498	Bracket Spacer
12.	900277	Bearing Bracket Clamp
13.	900199	Belt Tightener
14.	106016	Fastener, Wing
15.	900313	Swivel Adapter
16.	900575	Belt Tightener Lever
17.	900386	Crank Tightener
18.	900551	Tray Mount Slide Locks
19.	900583	Tray Support Arm (See Hardware: A,B,C,D)
20.	102023	Belt, SE Draper with Bar (234")
21.	900016	Tray Back Deflector, RH
22.	902007	Tray Back
23.	102020	Belt Connector Bar with Bolts
24.	900231★	Tray Mount Slide Lock without Notch
25.	900582★	Tray Mount Slide Lock with Notch
26.	900234★	Tray Support Arm (See Hardware: E,F,G)
Not Shown	900500	Complete Semi-End Dump Tray Assembly } Replaced by 902260

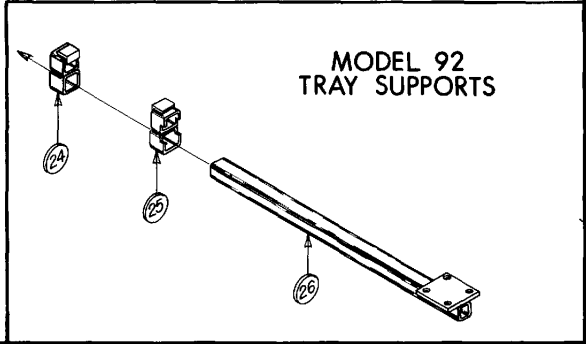
★ This part is manufactured on a built-to-order basis only. Call Pickett Equipment for availability and lead time.

Hardware List

<u>Item No.</u>	<u>Part No.</u>	<u>Description</u>
A.	118025	½" × 5½" NC Eye Bolt
B.		½" × 5" NC Hex Bolt
C.		½" Lock Washer
D.		½" NC Hex Nut
E.	121003	U-Bolt, Type D 5/8" × 3" Wide × 4½" Long
F.		5/8" Lock Washer
G.		5/8" NC Hex Nut



SEMI-END DUMP ASSEMBLY



SEMI-END DUMP ASSEMBLY, 8 Row 30 & 12 Row 22**(1993-1994) (178" Tray)****Parts List**

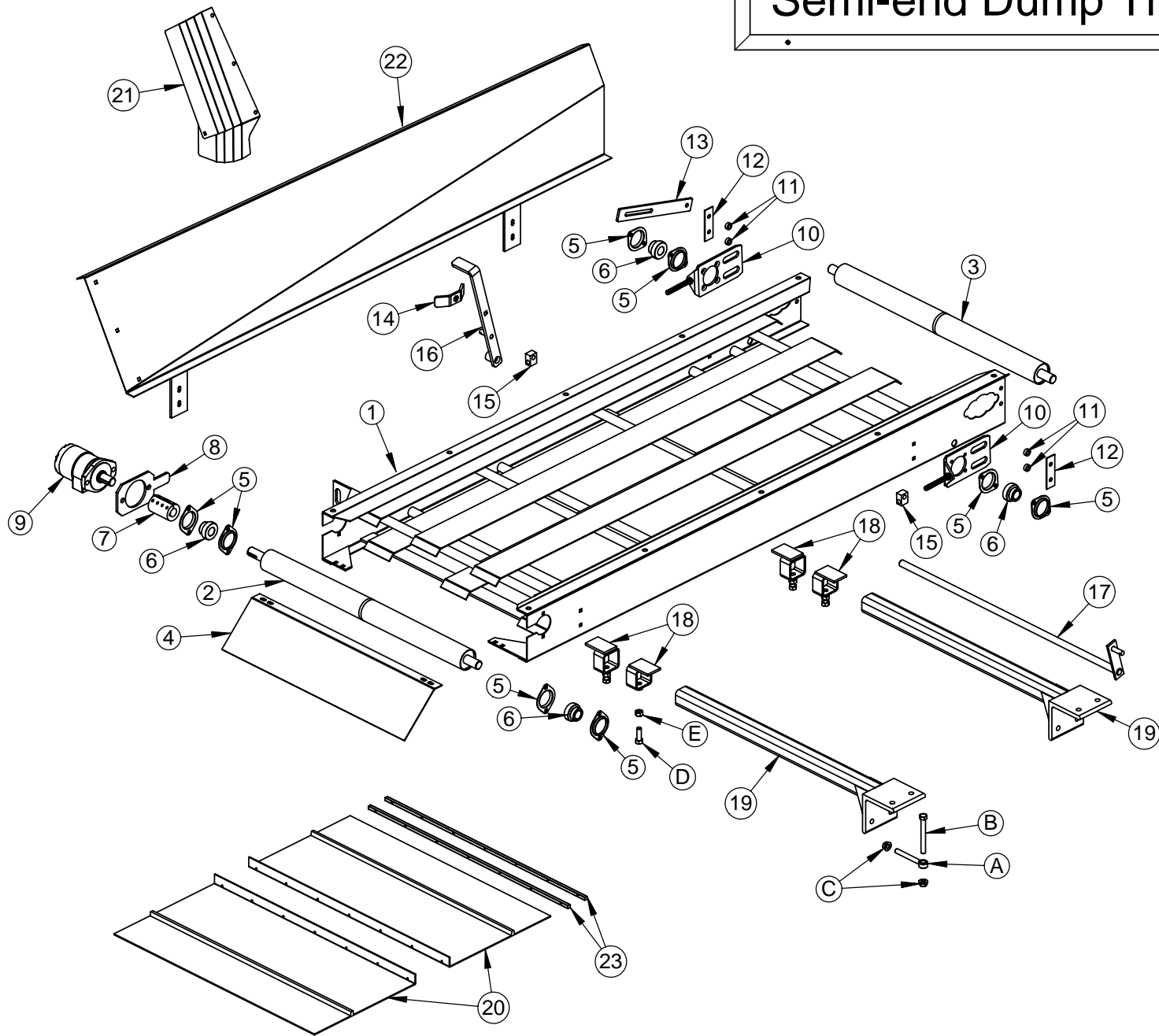
<u>Item No.</u>	<u>Part No.</u>	<u>Description</u>
1.	902070	Semi-end Dump Tray } Replaced by 902267
2.	900366	Crowned Roller–Keyed
3.	900367	Conveyor Roller–No Key
4.	900278	Right End Deflector Tray
5.	106003	Flangett, 2-Hole
6.	102004	Bearing, ¾" Insert with Lock Collar
7.	103018	Coupler, 1" × ¾" Split
8.	900225	Hydraulic Motor Mount
9.	113022	Motor, Canvas (MG Series)
10.	900038★	Belt Tightener Bracket
11.	900498	Bracket Spacer
12.	900277	Bearing Bracket Clamp
13.	900199	Belt Tightener
14.	106016	Fastener, Wing
15.	900313	Swivel Adapter
16.	900575	Belt Tightener Lever
17.	900386	Crank Tightener
18.	900551	Tray Mount Slide Locks
19.	900583	Tray Support Arm (See Hardware: A,B,C,D)
20.	102057	Belt, SE Draper with Bar (354")
21.	900016	Tray Back Deflector, RH
22.	902068	Tray Back
23.	102020	Belt Connector Bar with Bolts
24.	900231*	Tray Mount Slide Lock without Notch
25.	900582*	Tray Mount Slide Lock with Notch
26.	900234*	Tray Support Arm (See Hardware: E,F,G)
Not Shown	902075	Complete Semi-End Dump Tray Assembly } Replaced by 902268

* This part is manufactured on a built-to-order basis only. Call Pickett Equipment for availability and lead time.

Hardware List

<u>Item No.</u>	<u>Part No.</u>	<u>Description</u>
A.	118025	½" × 5½" NC Eye Bolt
B.		½" × 5" NC Hex Bolt
C.		½" Lock Washer
D.		½" NC Hex Nut
E.	121003	U-Bolt, Type D 5/8" × 3" Wide × 4½" Long
F.		5/8" Lock Washer
G.		5/8" NC Hex Nut

Semi-end Dump Trays



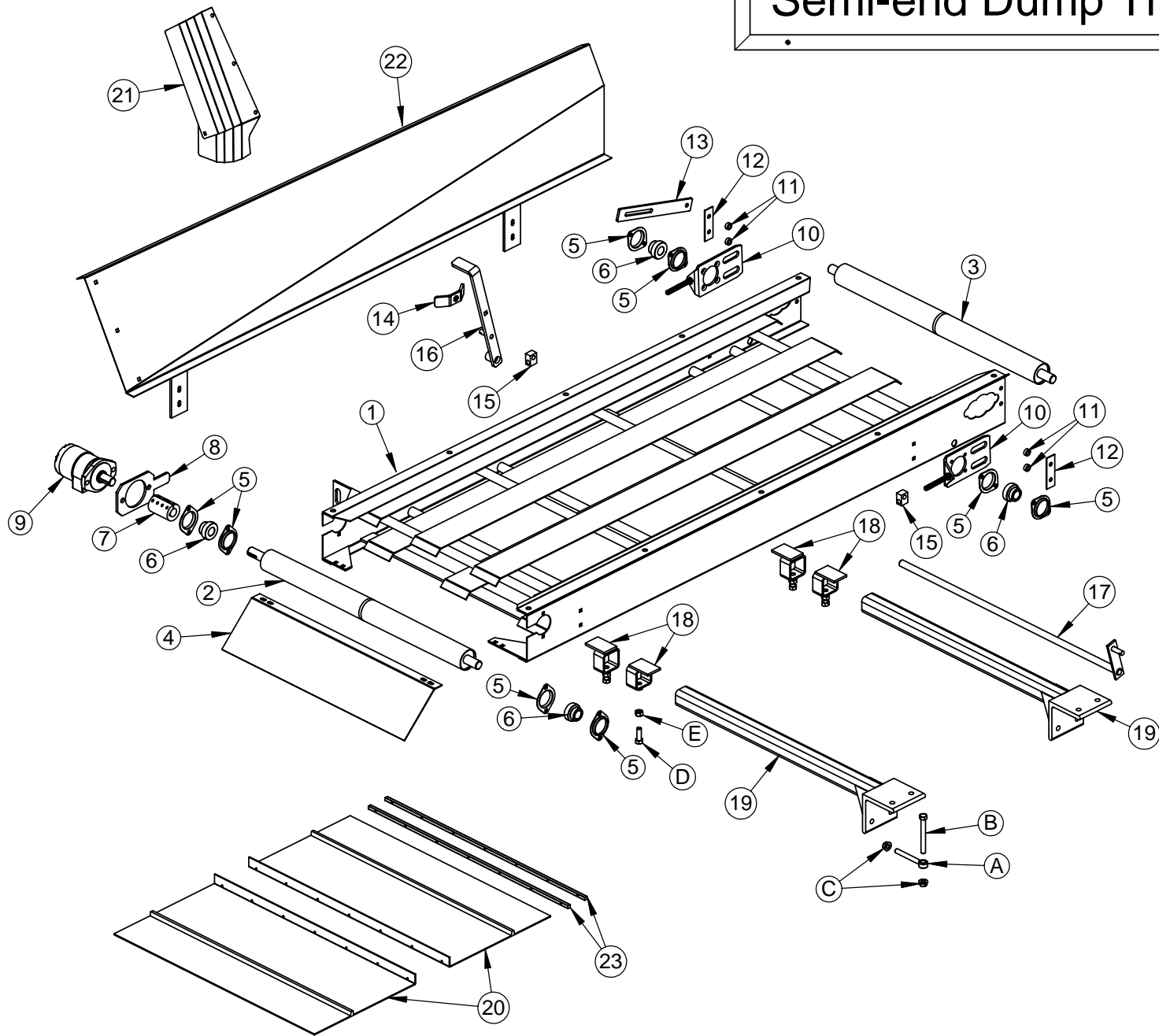
SEMI-END DUMP ASSEMBLY, 4 Row 30**76" Tray****Parts List**

<u>Item No.</u>	<u>Part No.</u>	<u>Qty</u>	<u>Description</u>
1.	902242	1	Semi-end Dump Tray
2.	901175	1	Crowned Roller-Keyed
3.	901176	1	Conveyor Roller-No Key
4.	900278	1	Tray End Deflector
5.	106013	4pr	Flangette, 2-Hole
6.	102005	4	Bearing, 1" Insert with Lock Collar
7.	103017	1	Coupler, 1" x 3" Split
8.	900225	1	Hydraulic Motor Mount
9.	113022	1	Motor, Canvas Hydraulic
10.	901150	2	Belt Tightener Bracket
11.	900498	4	Bracket Spacer
12.	900277	2	Bearing Bracket Clamp
13.	900199	1	Belt Tightener
14.	106016	1	Fastener, Wing
15.	900313	2	Swivel Adapter
16.	900575	1	Belt Tightener Lever
17.	900386	1	Crank Tightener
18.	900551	4	Tray Mount Slide Locks
19.	900583	2	Tray Support Arm
20.	102069	1	Belt, SE Draper with Bar 150"
21.	804282	1	Tray Back Deflector, LH Tray
22.	902095-A	1	Tilted Tray Back
23.	102020	1	Belt Connector Bar with Bolts
All Shown	902244	1	Complete Semi-End Dump Tray (hydraulic hoses not included)

Hardware List

<u>Item No.</u>	<u>Part No.</u>	<u>Qty</u>	<u>Description</u>
A.	118025	4	1/2" x 4 1/4" NC Eye Bolt
B.		4	1/2" x 4 1/2" NC Hex Bolt
C.		8	1/2" NC Whiz Nut
D.		4	1/2" x 1 1/2" NC Hex Bolt
E.		4	1/2" NC Hex Nut

Semi-end Dump Trays



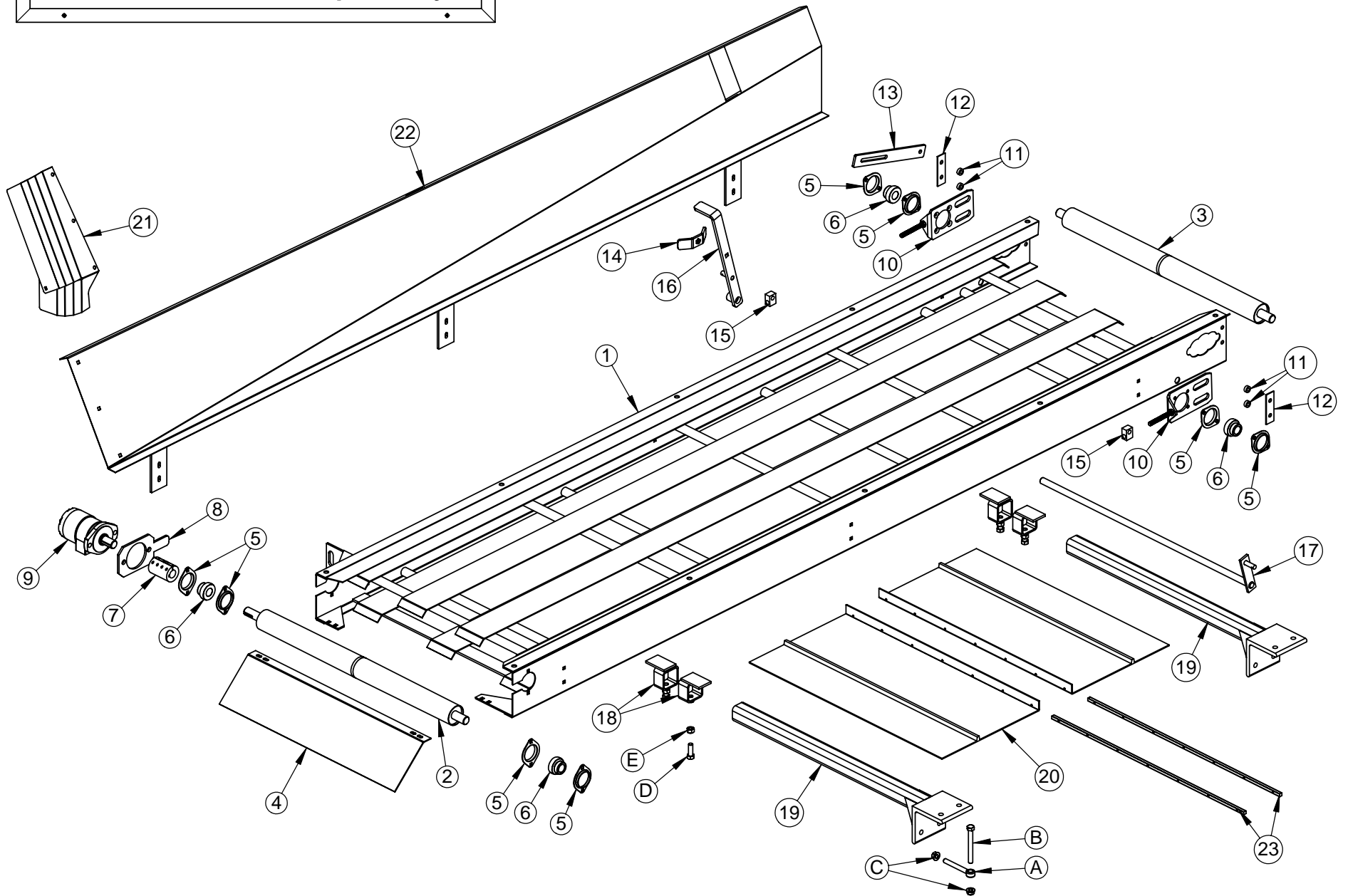
SEMI-END DUMP ASSEMBLY, 4 Row 36**82" Tray****Parts List**

<u>Item No.</u>	<u>Part No.</u>	<u>Qty</u>	<u>Description</u>
1.	902246	1	Semi-end Dump Tray
2.	901175	1	Crowned Roller-Keyed
3.	901176	1	Conveyor Roller-No Key
4.	900278	1	Tray End Deflector
5.	106013	4pr	Flangette, 2-Hole
6.	102005	4	Bearing, 1" Insert with Lock Collar
7.	103017	1	Coupler, 1" x 3" Split
8.	900225	1	Hydraulic Motor Mount
9.	113022	1	Motor, Canvas Hydraulic
10.	901150	2	Belt Tightener Bracket
11.	900498	4	Bracket Spacer
12.	900277	2	Bearing Bracket Clamp
13.	900199	1	Belt Tightener
14.	106016	1	Fastener, Wing
15.	900313	2	Swivel Adapter
16.	900575	1	Belt Tightener Lever
17.	900386	1	Crank Tightener
18.	900551	4	Tray Mount Slide Locks
19.	900583	2	Tray Support Arm
20.	102070	1	Belt, SE Draper with Bar 162"
21.	804282	1	Tray Back Deflector, LH Tray
22.	902086	1	Tilted Tray Back
23.	102020	1	Belt Connector Bar with Bolts
All Shown	902248	1	Complete Semi-End Dump Tray (hydraulic hoses not included)

Hardware List

<u>Item No.</u>	<u>Part No.</u>	<u>Qty</u>	<u>Description</u>
A.	118025	4	1/2" x 4 1/4" NC Eye Bolt
B.		4	1/2" x 4 1/2" NC Hex Bolt
C.		8	1/2" NC Whiz Nut
D.		4	1/2" x 1 1/2" NC Hex Bolt
E.		4	1/2" NC Hex Nut

Semi-end Dump Tray



SEMI-END DUMP ASSEMBLY, 6 Row 28

108" Tray RH Dump

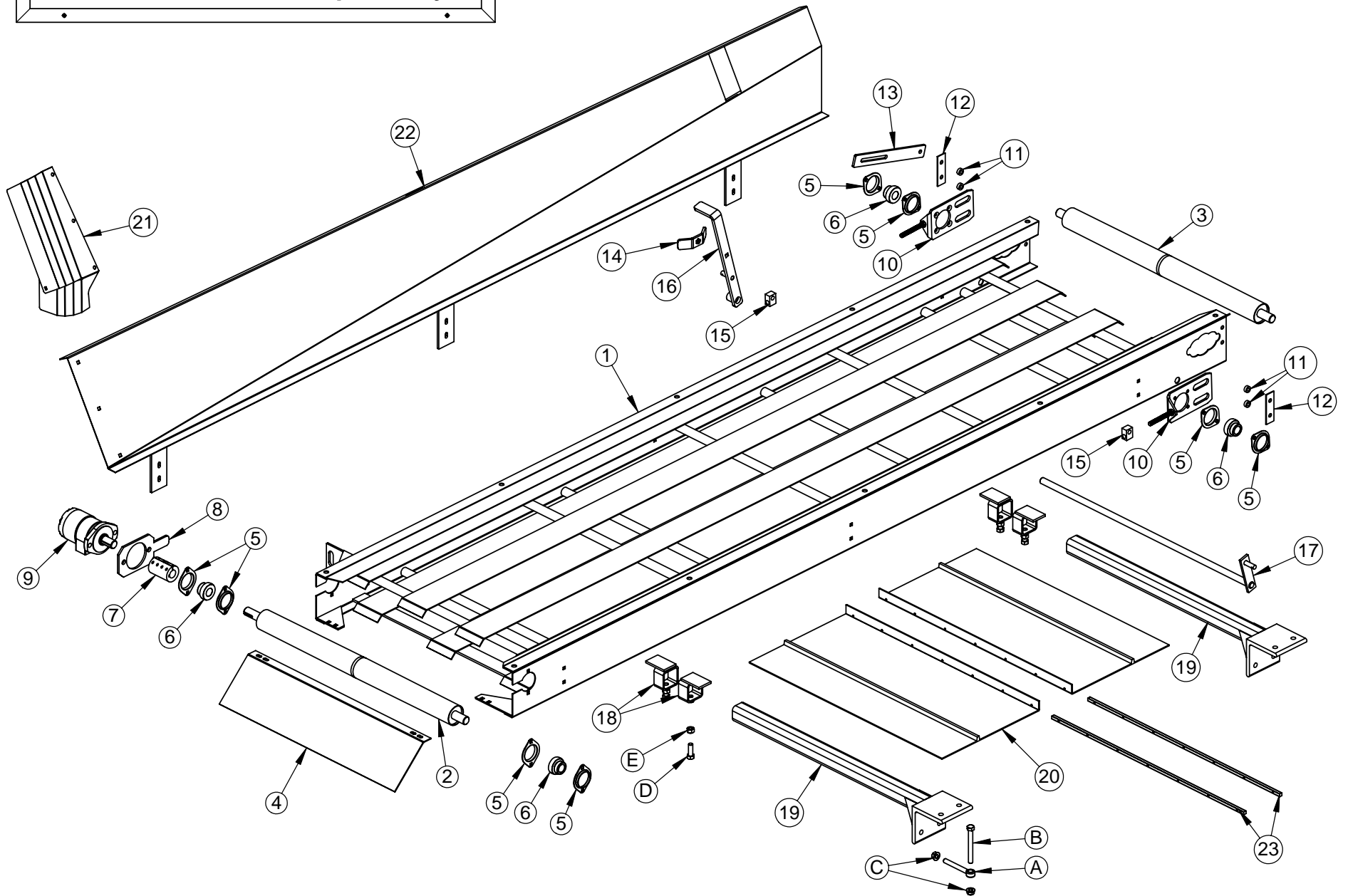
Parts List

<u>Item No.</u>	<u>Part No.</u>	<u>Qty</u>	<u>Description</u>
1.	902257	1	Semi-end Dump Tray RH Dump Weld Assembly
2.	901175	1	Crowned Roller-Keyed
3.	901176	1	Conveyor Roller-No Key
4.	900278	1	Tray End Deflector
5.	106013	4pr	Flangette, 2-Hole
6.	102005	4	Bearing, 1" Insert with Lock Collar
7.	103017	1	Coupler, 1" x 3" Split
8.	900225	1	Hydraulic Motor Mount
9.	113022	1	Motor, Canvas Hydraulic
10.	901150	2	Belt Tightener Bracket
11.	900498	4	Bracket Spacer
12.	900277	2	Bearing Bracket Clamp
13.	900199	1	Belt Tightener
14.	106016	1	Fastener, Wing
15.	900313	2	Swivel Adapter
16.	900575	1	Belt Tightener Lever
17.	900386	1	Crank Tightener
18.	900551	4	Tray Mount Slide Locks
19.	900583	2	Tray Support Arm
20.	102076	1	Belt, SE Draper with Bar 214"
21.	804282	1	Tray Back Deflector, LH Tray
22.	902332	1	Tilted Tray Back RH Dump
23.	102020	1	Belt Connector Bar with Bolts
All Shown included)	902258	1	Complete Semi-End Dump Tray RH Dump (hydraulic hoses not included)

Hardware List

<u>Item No.</u>	<u>Part No.</u>	<u>Qty</u>	<u>Description</u>
A.	118025	4	1/2" x 4 1/4" NC Eye Bolt
B.		4	1/2" x 4 1/2" NC Hex Bolt
C.		8	1/2" NC Whiz Nut
D.		4	1/2" x 1 1/2" NC Hex Bolt
E.		4	1/2" NC Hex Nut

Semi-end Dump Tray



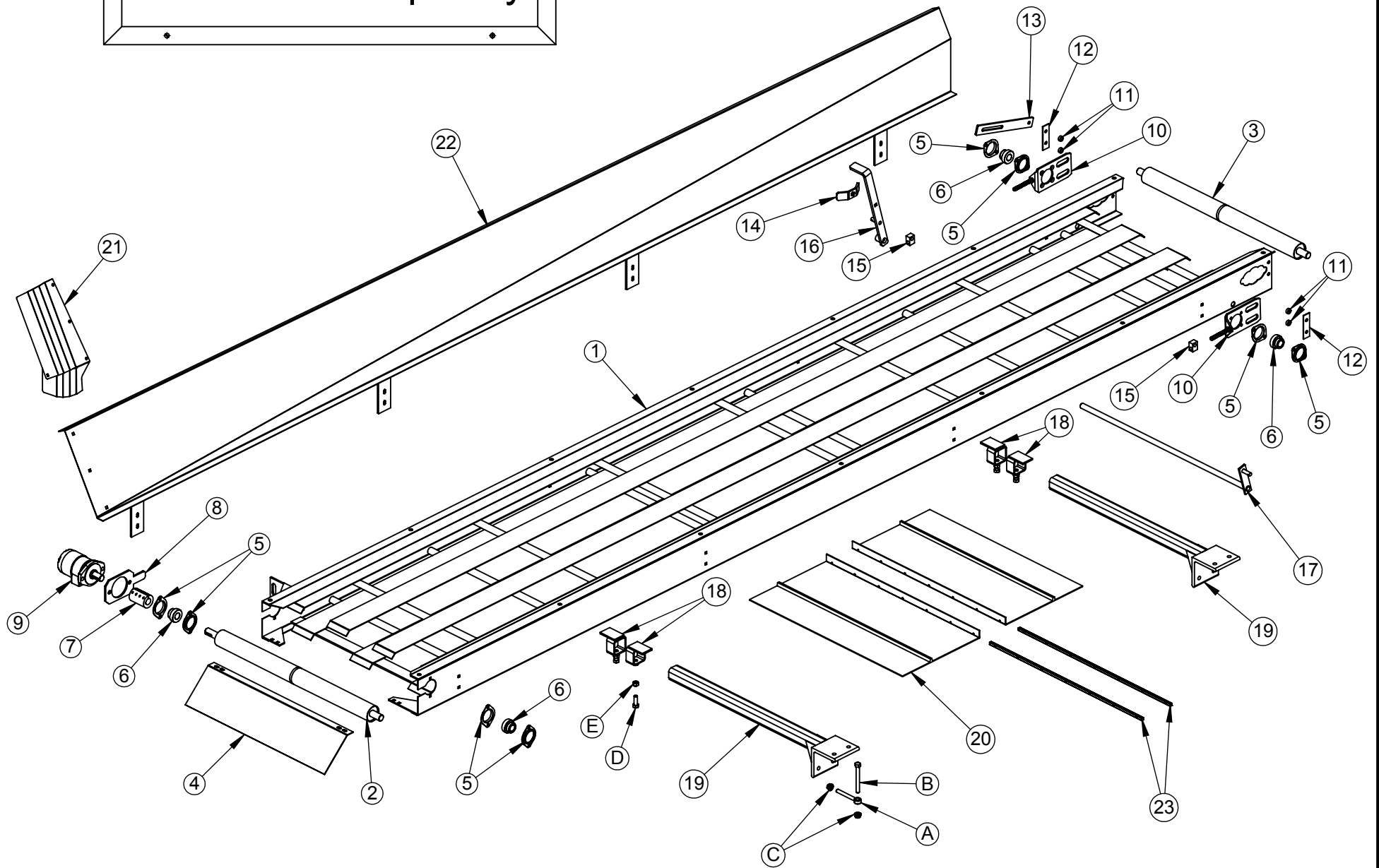
SEMI-END DUMP ASSEMBLY, 6 Row 30 & 8 Row 22**118" Tray****Parts List**

<u>Item No.</u>	<u>Part No.</u>	<u>Qty</u>	<u>Description</u>
1.	902259	1	Semi-end Dump Tray
2.	901175	1	Crowned Roller–Keyed
3.	901176	1	Conveyor Roller–No Key
4.	900278	1	Tray End Deflector
5.	106013	4pr	Flangette, 2-Hole
6.	102005	4	Bearing, 1" Insert with Lock Collar
7.	103017	1	Coupler, 1" × 3" Split
8.	900225	1	Hydraulic Motor Mount
9.	113022	1	Motor, Canvas Hydraulic
10.	901150	2	Belt Tightener Bracket
11.	900498	4	Bracket Spacer
12.	900277	2	Bearing Bracket Clamp
13.	900199	1	Belt Tightener
14.	106016	1	Fastener, Wing
15.	900313	2	Swivel Adapter
16.	900575	1	Belt Tightener Lever
17.	900386	1	Crank Tightener
18.	900551	4	Tray Mount Slide Locks
19.	900583	2	Tray Support Arm
20.	102023	1	Belt, SE Draper with Bar 234"
21.	804282	1	Tray Back Deflector, LH Tray
22.	902312	1	Tilted Tray Back
23.	102020	1	Belt Connector Bar with Bolts
All Shown	902260	1	Complete Semi-End Dump Tray (hydraulic hoses not included)

Hardware List

<u>Item No.</u>	<u>Part No.</u>	<u>Qty</u>	<u>Description</u>
A.	118025	4	1/2" x 4 1/4" NC Eye Bolt
B.		4	1/2" x 4 1/2" NC Hex Bolt
C.		8	1/2" NC Whiz Nut
D.		4	1/2" x 1 1/2" NC Hex Bolt
E.		4	1/2" NC Hex Nut

Semi-end Dump Tray



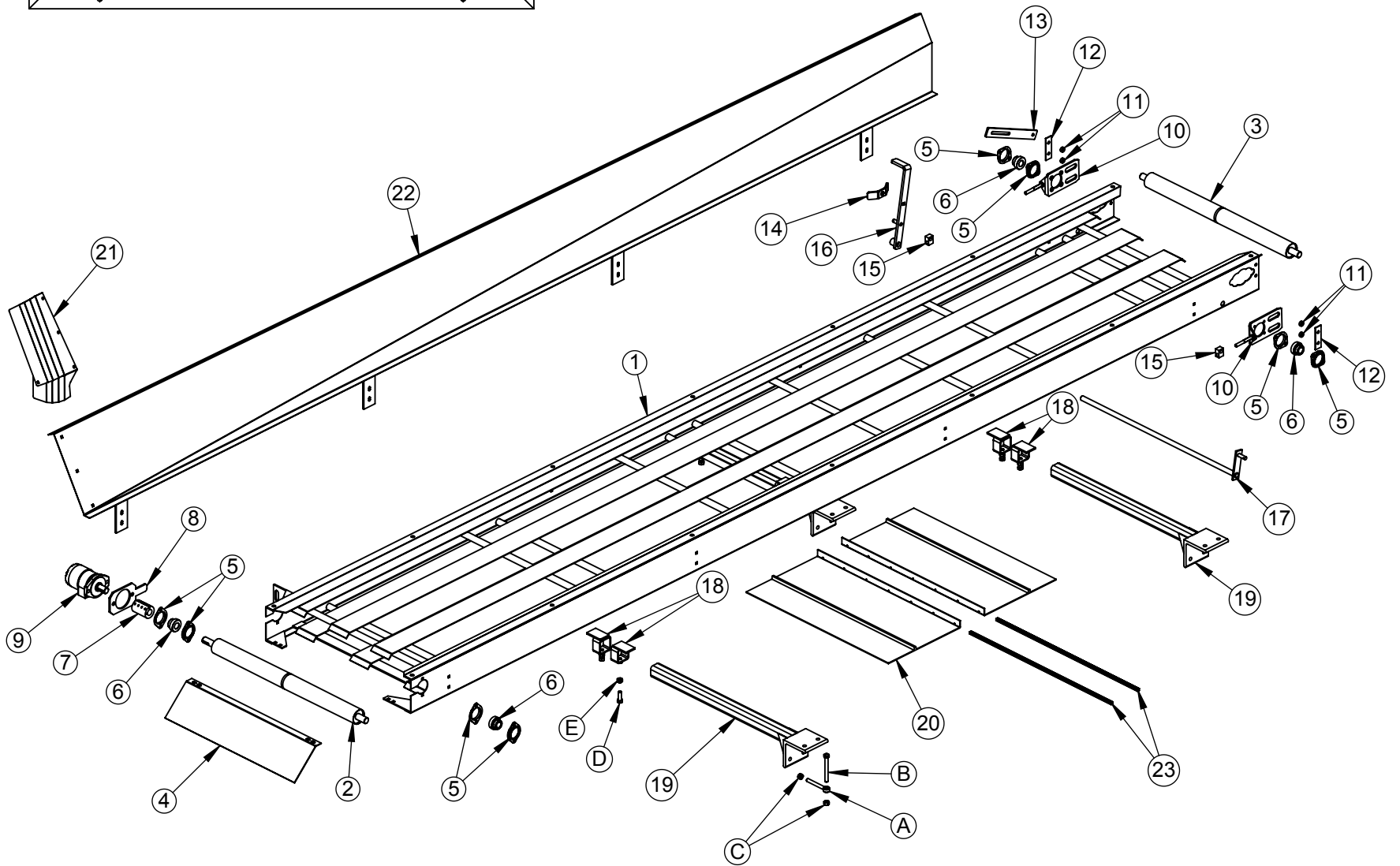
SEMI-END DUMP ASSEMBLY, 8 Row 30 & 12 Row 22**178" Tray****Parts List**

<u>Item No.</u>	<u>Part No.</u>	<u>Qty</u>	<u>Description</u>
1.	902267	1	Semi-end Dump Tray
2.	901175	1	Crowned Roller–Keyed
3.	901176	1	Conveyor Roller–No Key
4.	900278	1	Tray End Deflector
5.	106013	4pr	Flangette, 2-Hole
6.	102005	4	Bearing, 1" Insert with Lock Collar
7.	103017	1	Coupler, 1" × 3" Split
8.	900225	1	Hydraulic Motor Mount
9.	113022	1	Motor, Canvas Hydraulic
10.	901150	2	Belt Tightener Bracket
11.	900498	4	Bracket Spacer
12.	900277	2	Bearing Bracket Clamp
13.	900199	1	Belt Tightener
14.	106016	1	Fastener, Wing
15.	900313	2	Swivel Adapter
16.	900575	1	Belt Tightener Lever
17.	900386	1	Crank Tightener
18.	900551	6	Tray Mount Slide Locks
19.	900583	3	Tray Support Arm
20.	102057	1	Belt, SE Draper with Bar (354")
21.	804282	1	Tray Back Deflector, LH Tray
22.	902315	1	Tilted Tray Back
23.	102020	1	Belt Connector Bar with Bolts
All Shown	902268	1	Complete Semi-End Dump Tray (hydraulic hoses not included)

Hardware List

<u>Item No.</u>	<u>Part No.</u>	<u>Qty</u>	<u>Description</u>
A.	118025	6	1/2" x 4 1/4" NC Eye Bolt
B.		6	1/2" x 4 1/2" NC Hex Bolt
C.		12	1/2" NC Whiz Nut
D.		6	1/2" x 1 1/2" NC Hex Bolt
E.		6	1/2" NC Hex Nut

Semi-end Dump Tray

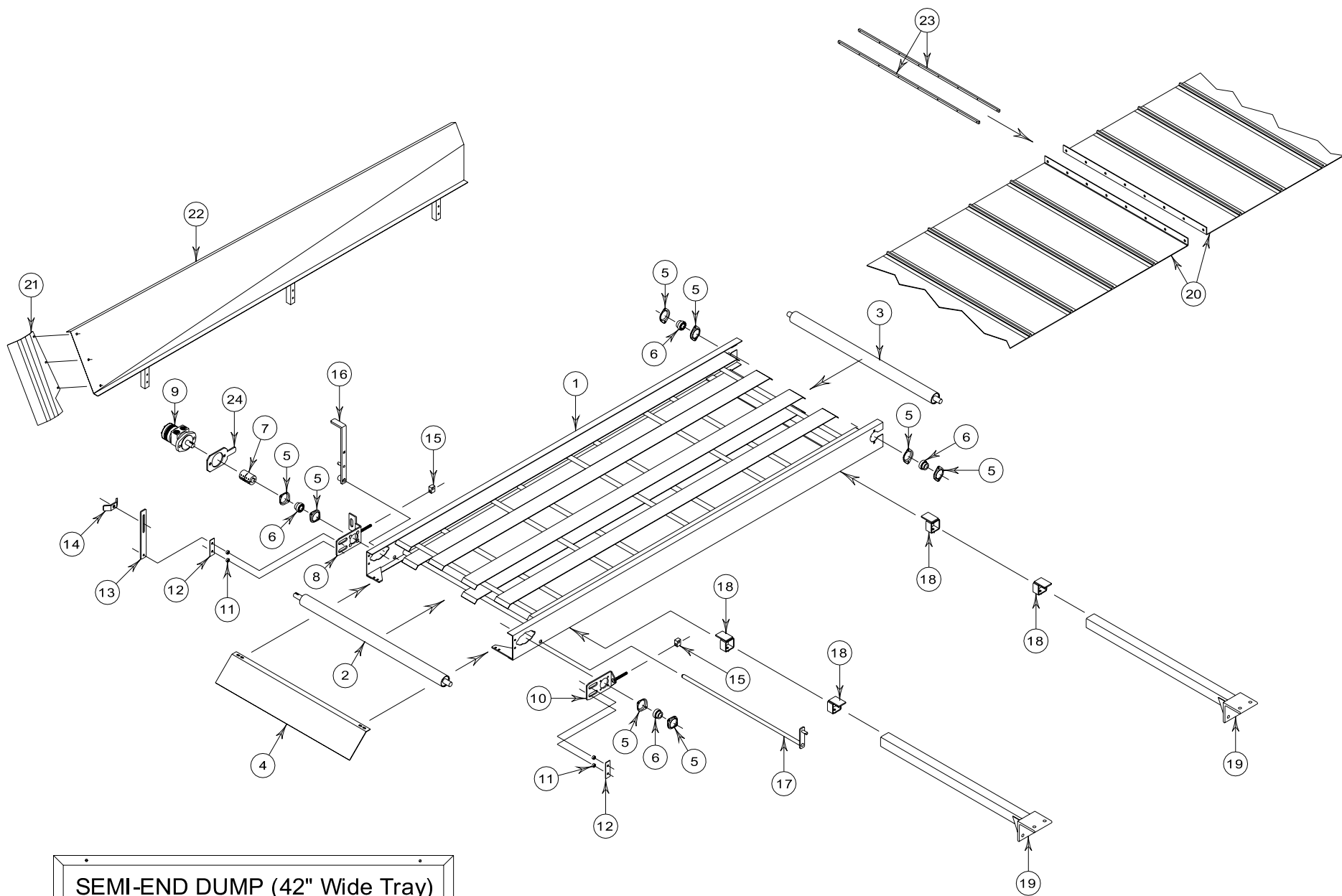


SEMI-END DUMP ASSEMBLY, 12 Row 22**190" Tray****Parts List**

<u>Item No.</u>	<u>Part No.</u>	<u>Qty</u>	<u>Description</u>
1.	902371	1	Semi-end Dump Tray
2.	901175	1	Crowned Roller–Keyed
3.	901176	1	Conveyor Roller–No Key
4.	900278	1	Tray End Deflector
5.	106013	4pr	Flangette, 2-Hole
6.	102005	4	Bearing, 1" Insert with Lock Collar
7.	103017	1	Coupler, 1" × 3" Split
8.	900225	1	Hydraulic Motor Mount
9.	113022	1	Motor, Canvas Hydraulic
10.	901150	2	Belt Tightener Bracket
11.	900498	4	Bracket Spacer
12.	900277	2	Bearing Bracket Clamp
13.	900199	1	Belt Tightener
14.	106016	1	Fastener, Wing
15.	900313	2	Swivel Adapter
16.	900575	1	Belt Tightener Lever
17.	900386	1	Crank Tightener
18.	900551	6	Tray Mount Slide Locks
19.	900583	3	Tray Support Arm
20.	102226	1	Belt, SE Draper with Bar (378")
21.	804282	1	Tray Back Deflector, LH Tray
22.	902375	1	Tilted Tray Back
23.	102020	1	Belt Connector Bar with Bolts
All Shown	902370	1	Complete Semi-End Dump Tray (hydraulic hoses not included)

Hardware List

<u>Item No.</u>	<u>Part No.</u>	<u>Qty</u>	<u>Description</u>
A.	118025	6	1/2" x 4 1/4" NC Eye Bolt
B.		6	1/2" x 4 1/2" NC Hex Bolt
C.		12	1/2" NC Whiz Nut
D.		6	1/2" x 1 1/2" NC Hex Bolt
E.		6	1/2" NC Hex Nut



SEMI-END DUMP (42" Wide Tray)

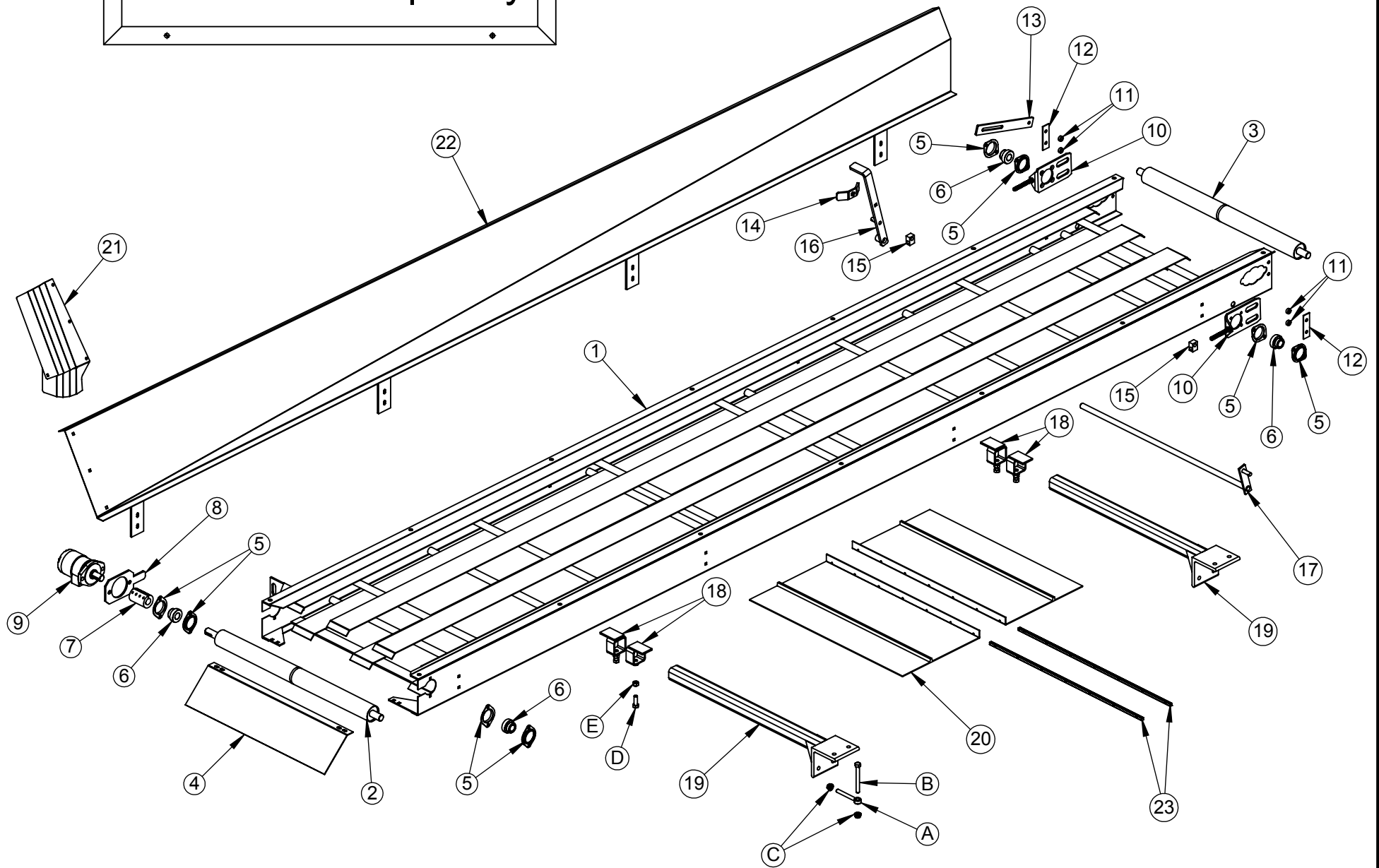
SEMI-END DUMP ASSEMBLY, 12 ROW 30 (42" wide x 108" long Tray) (2005–Present)**(Use in conjunction with a 32" wide x 178" long Tray)****Parts List**

<u>Item No.</u>	<u>Part No.</u>	<u>Description</u>
1.	902384	Semi-end Dump Tray (42" wide x 108" long)
2.	804245	Crowned Roller–Keyed
3.	804246	Conveyor Roller–No Key
4.	804242	Right End Deflector Tray
5.	106013	Flangette, 2-Hole
6.	102005	Bearing, 1" Insert with Lock Collar
7.	103017	Coupler, 1" x 3" Split
8.	804241	Hydraulic Motor Mount / Belt Tightener Bracket
9.	113022	Motor, Canvas (MG Series)
10.	901150	Belt Tightener Bracket
11.	900498	Bracket Spacer
12.	900277	Bearing Bracket Clamp
13.	900199	Belt Tightener
14.	106016	Fastener, Wing
15.	900313	Swivel Adapter
16.	900575	Belt Tightener Lever
17.	804250	Crank Tightener
18.	900551	Tray Mount Slide Locks
19.	804238	Tray Support Arm (See Hardware: A,B,C,D)
20.	102159	Belt, SE Draper with Bar (42" wide x 214" long)
21.	804282	Tray Back Deflector, RH
22.	902332	Tilted Tray Back (tilted 30° to the rear of the machine)
23.	102160	Belt Connector Bar with Bolts
24.	900225	Hydraulic Motor Mount
Not Shown	902385	Complete Semi-End Dump Tray (hydraulic package not included)

Hardware List

<u>Item No.</u>	<u>Part No.</u>	<u>Description</u>
A.	118025	½" x 4¼" NC Eye Bolt
B.		½" x 4½" NC Hex Bolt
C.		½" Lock Washer
D.		½" NC Hex Nut

Semi-end Dump Tray



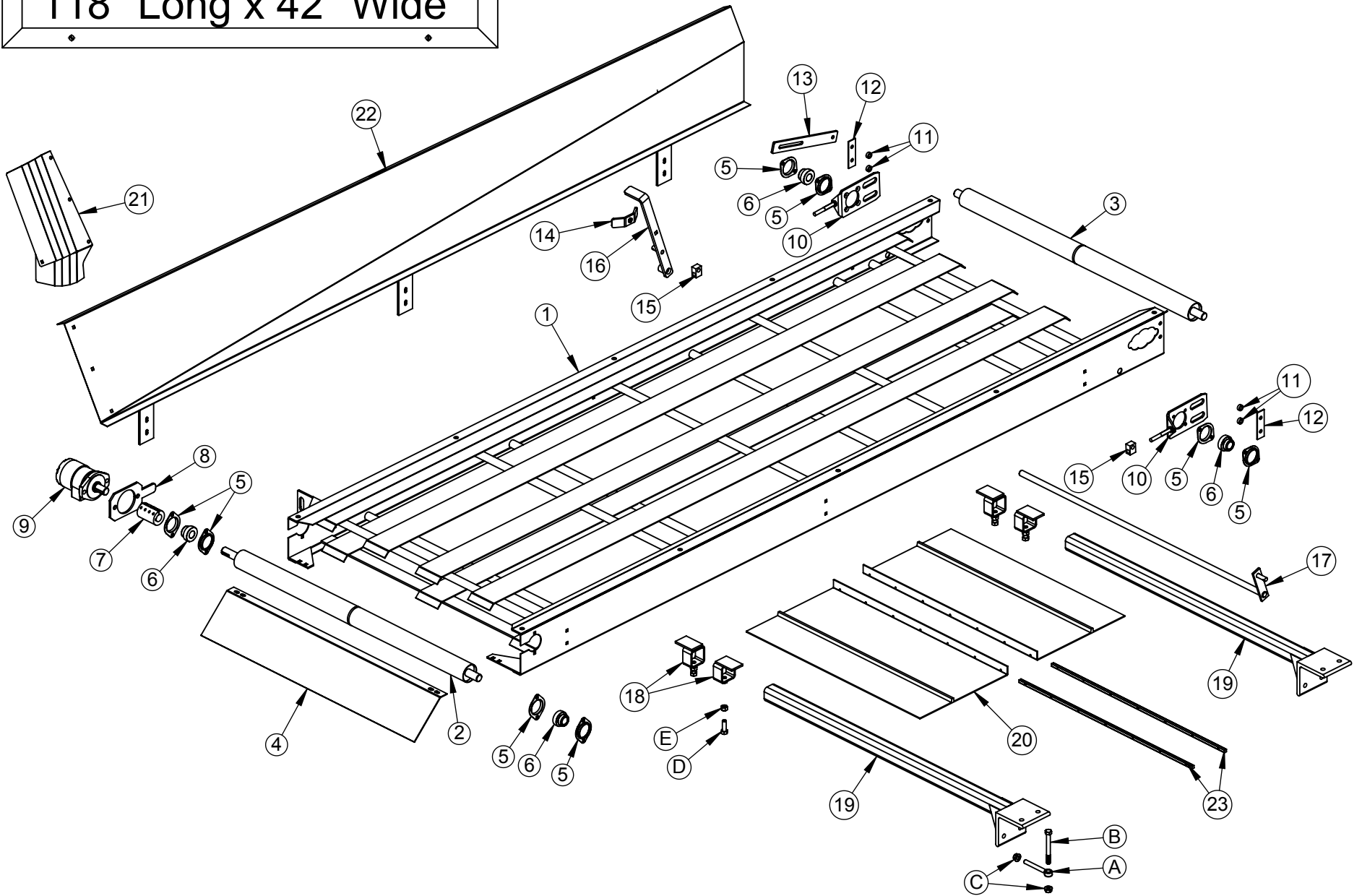
SEMI-END DUMP ASSEMBLY, 12 ROW 30 (32" wide x 178" long Tray)**(Use in conjunction with a 42" wide x 108" long Tray)****Parts List**

<u>Item No.</u>	<u>Part No.</u>	<u>Qty</u>	<u>Description</u>
1.	902267	1	Semi-end Dump Tray
2.	901175	1	Crowned Roller–Keyed
3.	901176	1	Conveyor Roller–No Key
4.	900278	1	Tray End Deflector
5.	106013	4pr	Flangette, 2-Hole
6.	102005	4	Bearing, 1" Insert with Lock Collar
7.	103017	1	Coupler, 1" x 3" Split
8.	900225	1	Hydraulic Motor Mount
9.	113022	1	Motor, Canvas Hydraulic
10.	901150	2	Belt Tightener Bracket
11.	900498	4	Bracket Spacer
12.	900277	2	Bearing Bracket Clamp
13.	900199	1	Belt Tightener
14.	106016	1	Fastener, Wing
15.	900313	2	Swivel Adapter
16.	900575	1	Belt Tightener Lever
17.	900386	1	Crank Tightener
18.	900551	6	Tray Mount Slide Locks
19.	900583	3	Tray Support Arm
20.	102057	1	Belt, SE Draper with Bar (354")
21.	804282	1	Tray Back Deflector, LH Tray
22.	902315	1	Tilted Tray Back
23.	102020	1	Belt Connector Bar with Bolts
All Shown	902268	1	Complete Semi-End Dump Tray (hydraulic hoses not included)

Hardware List

<u>Item No.</u>	<u>Part No.</u>	<u>Qty</u>	<u>Description</u>
A.	118025	6	1/2" x 4 1/4" NC Eye Bolt
B.		6	1/2" x 4 1/2" NC Hex Bolt
C.		12	1/2" NC Whiz Nut
D.		6	1/2" x 1 1/2" NC Hex Bolt
E.		6	1/2" NC Hex Nut

Semi-end Dump Tray 118" Long x 42" Wide



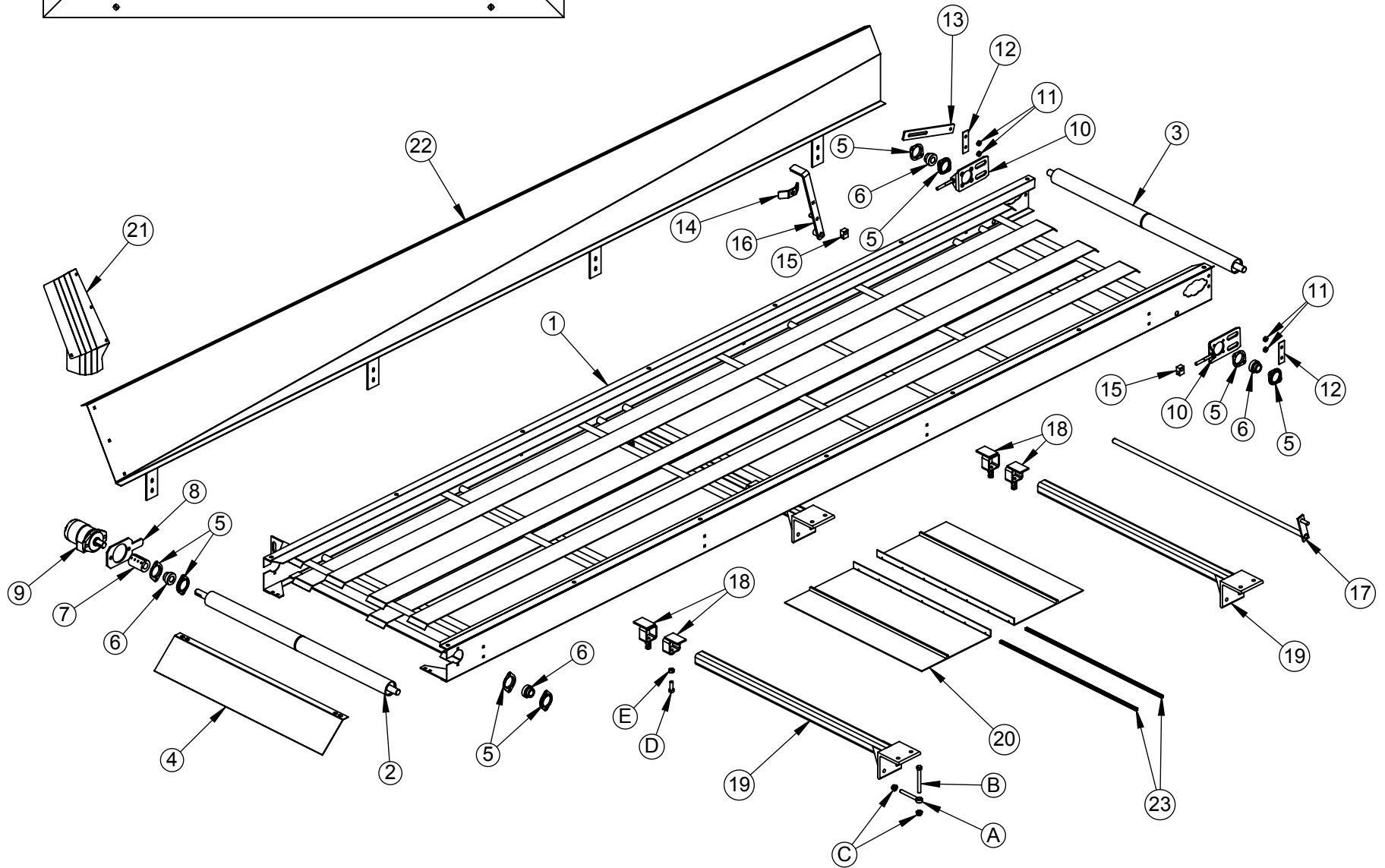
SEMI-END DUMP ASSEMBLY, 6 Row 30 & 8 Row 22**118" Long x 42" Wide Tray****Parts List**

<u>Item No.</u>	<u>Part No.</u>	<u>Qty</u>	<u>Description</u>
1.	902259-WD	1	Semi-end Dump Tray
2.	804245	1	Crowned Roller–Keyed
3.	804246	1	Conveyor Roller–No Key
4.	804242	1	Tray End Deflector
5.	106013	4pr	Flangette, 2-Hole
6.	102005	4	Bearing, 1" Insert with Lock Collar
7.	103017	1	Coupler, 1" x 3" Split
8.	900225	1	Hydraulic Motor Mount
9.	113022	1	Motor, Canvas Hydraulic
10.	901150	2	Belt Tightener Bracket
11.	900498	4	Bracket Spacer
12.	900277	2	Bearing Bracket Clamp
13.	900199	1	Belt Tightener
14.	106016	1	Fastener, Wing
15.	900313	2	Swivel Adapter
16.	900575	1	Belt Tightener Lever
17.	804250	1	Crank Tightener
18.	900551	4	Tray Mount Slide Locks
19.	804238-A	2	Tray Support Arm
20.	102288	1	Belt, SE Draper with Bar 234"
21.	804282	1	Tray Back Deflector, LH Tray
22.	902312	1	Tilted Tray Back
23.	102160	1	Belt Connector Bar with Bolts
All Shown	902260-WD	1	Complete Semi-End Dump Tray (hydraulic hoses not included)

Hardware List

<u>Item No.</u>	<u>Part No.</u>	<u>Qty</u>	<u>Description</u>
A.	118025	4	1/2" x 4 1/4" NC Eye Bolt
B.		4	1/2" x 4 1/2" NC Hex Bolt
C.		8	1/2" NC Whiz Nut
D.		4	1/2" x 1 1/2" NC Hex Bolt
E.		4	1/2" NC Hex Nut

Semi-end Dump Tray 178" Long x 42" Wide



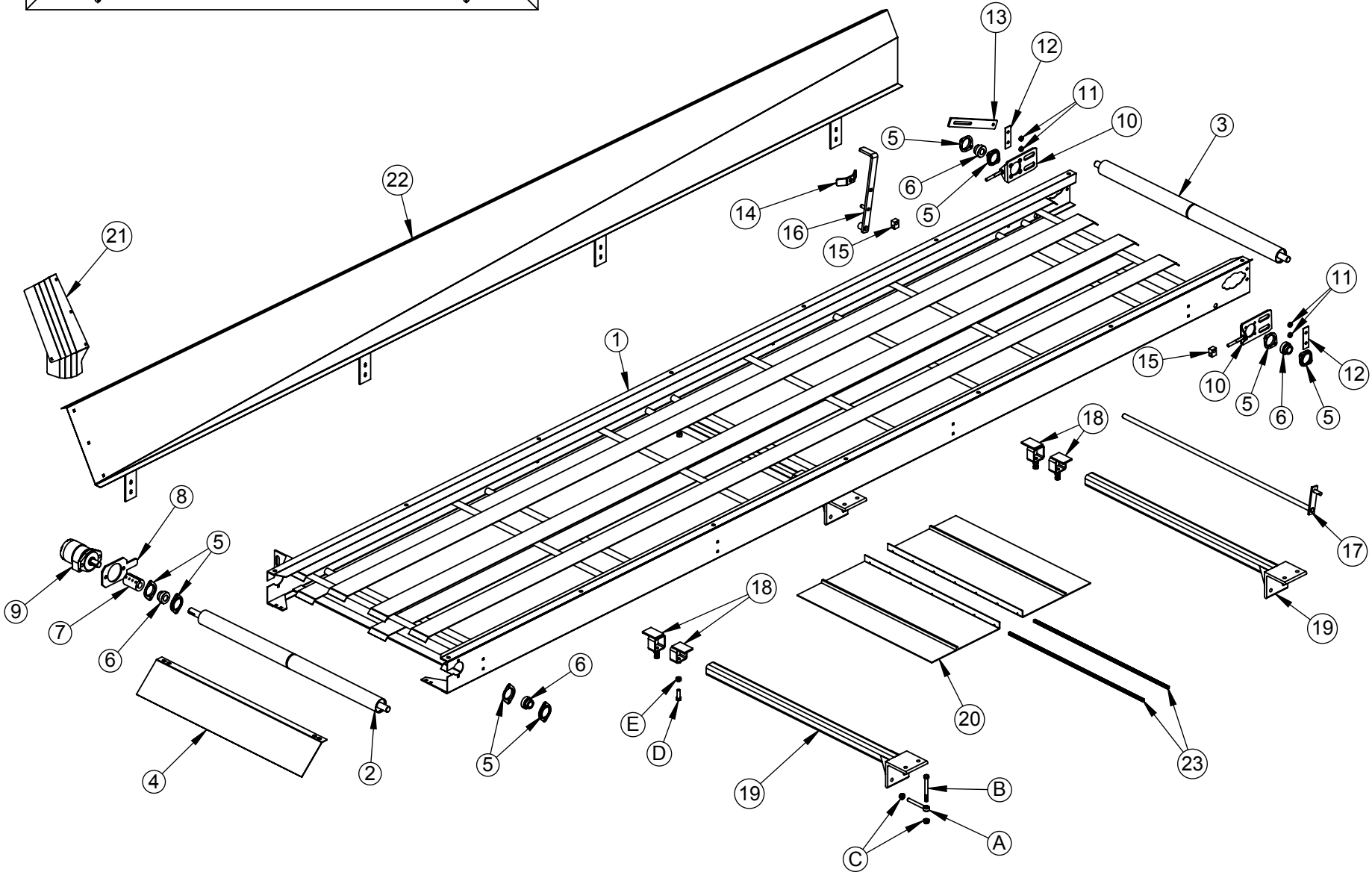
SEMI-END DUMP ASSEMBLY, 8 Row 30 & 12 Row 22**178" Long x 42" Wide Tray****Parts List**

<u>Item No.</u>	<u>Part No.</u>	<u>Qty</u>	<u>Description</u>
1.	902267-WD	1	Semi-end Dump Tray
2.	804245	1	Crowned Roller-Keyed
3.	804246	1	Conveyor Roller-No Key
4.	804242	1	Tray End Deflector
5.	106013	4pr	Flangette, 2-Hole
6.	102005	4	Bearing, 1" Insert with Lock Collar
7.	103017	1	Coupler, 1" x 3" Split
8.	900225	1	Hydraulic Motor Mount
9.	113022	1	Motor, Canvas Hydraulic
10.	901150	2	Belt Tightener Bracket
11.	900498	4	Bracket Spacer
12.	900277	2	Bearing Bracket Clamp
13.	900199	1	Belt Tightener
14.	106016	1	Fastener, Wing
15.	900313	2	Swivel Adapter
16.	900575	1	Belt Tightener Lever
17.	804250	1	Crank Tightener
18.	900551	6	Tray Mount Slide Locks
19.	804238-A	3	Tray Support Arm
20.	102289	1	Belt, SE Draper with Bar (354")
21.	804282	1	Tray Back Deflector, LH Tray
22.	902315	1	Tilted Tray Back
23.	102159	1	Belt Connector Bar with Bolts
All Shown	902268-WD	1	Complete Semi-End Dump Tray (hydraulic hoses not included)

Hardware List

<u>Item No.</u>	<u>Part No.</u>	<u>Qty</u>	<u>Description</u>
A.	118025	6	1/2" x 4 1/4" NC Eye Bolt
B.		6	1/2" x 4 1/2" NC Hex Bolt
C.		12	1/2" NC Whiz Nut
D.		6	1/2" x 1 1/2" NC Hex Bolt
E.		6	1/2" NC Hex Nut

Semi-end Dump Tray
190" Long x 42" Wide



SEMI-END DUMP ASSEMBLY, 12 Row 22**190" Long x 42" Wide Tray****Parts List**

<u>Item No.</u>	<u>Part No.</u>	<u>Qty</u>	<u>Description</u>
1.	902371-WD	1	Semi-end Dump Tray
2.	804245	1	Crowned Roller–Keyed
3.	804246	1	Conveyor Roller–No Key
4.	804242	1	Tray End Deflector
5.	106013	4pr	Flangette, 2-Hole
6.	102005	4	Bearing, 1" Insert with Lock Collar
7.	103017	1	Coupler, 1" × 3" Split
8.	900225	1	Hydraulic Motor Mount
9.	113022	1	Motor, Canvas Hydraulic
10.	901150	2	Belt Tightener Bracket
11.	900498	4	Bracket Spacer
12.	900277	2	Bearing Bracket Clamp
13.	900199	1	Belt Tightener
14.	106016	1	Fastener, Wing
15.	900313	2	Swivel Adapter
16.	900575	1	Belt Tightener Lever
17.	804250	1	Crank Tightener
18.	900551	6	Tray Mount Slide Locks
19.	804238-A	3	Tray Support Arm
20.	102292	1	Belt, SE Draper with Bar (378")
21.	804282	1	Tray Back Deflector, LH Tray
22.	902375	1	Tilted Tray Back
23.	102160	1	Belt Connector Bar with Bolts
All Shown	902370-WD	1	Complete Semi-End Dump Tray (hydraulic hoses not included)

Hardware List

<u>Item No.</u>	<u>Part No.</u>	<u>Qty</u>	<u>Description</u>
A.	118025	6	1/2" x 4 1/4" NC Eye Bolt
B.		6	1/2" x 4 1/2" NC Hex Bolt
C.		12	1/2" NC Whiz Nut
D.		6	1/2" x 1 1/2" NC Hex Bolt
E.		6	1/2" NC Hex Nut

Tray Belt Part Number and Length

Parts List 31 7/8" Wide Belt

<u>Tray Length.</u>	<u>Part No.</u>	<u>Belt Length</u>
Bulk (sold per foot)	102021	
Connector w/bolts	102020	
14"	102143	26"
24"	102066	46"
44"	102095	86"
48"	102097	94"
58"	102022	114"
76"	102069	150"
82"	102070	162"
88"	102058	174"
98"	102096	194"
108"	102076	214"
118"	102023	234"
124"	102125	246"
130"	102237	258"
138"	102142	274"
142"	102093	282"
148"	102162	294"
154"	102059	306"
166"	102079	330"
178"	102057	354"
190"	102226	378"
210"	102299	418"
230"	102063	458"
240"	102064	478"

Parts List 42" Wide Belt

<u>Tray Length.</u>	<u>Part No.</u>	<u>Belt Length</u>
Bulk (sold per foot)	102236	
Connector w/bolts	102160	
58"	102297	114"
76"	102290	150"
88"	102291	174"
108"	102159	214"
118"	102288	234"
178"	102289	354"
190"	102292	378"