

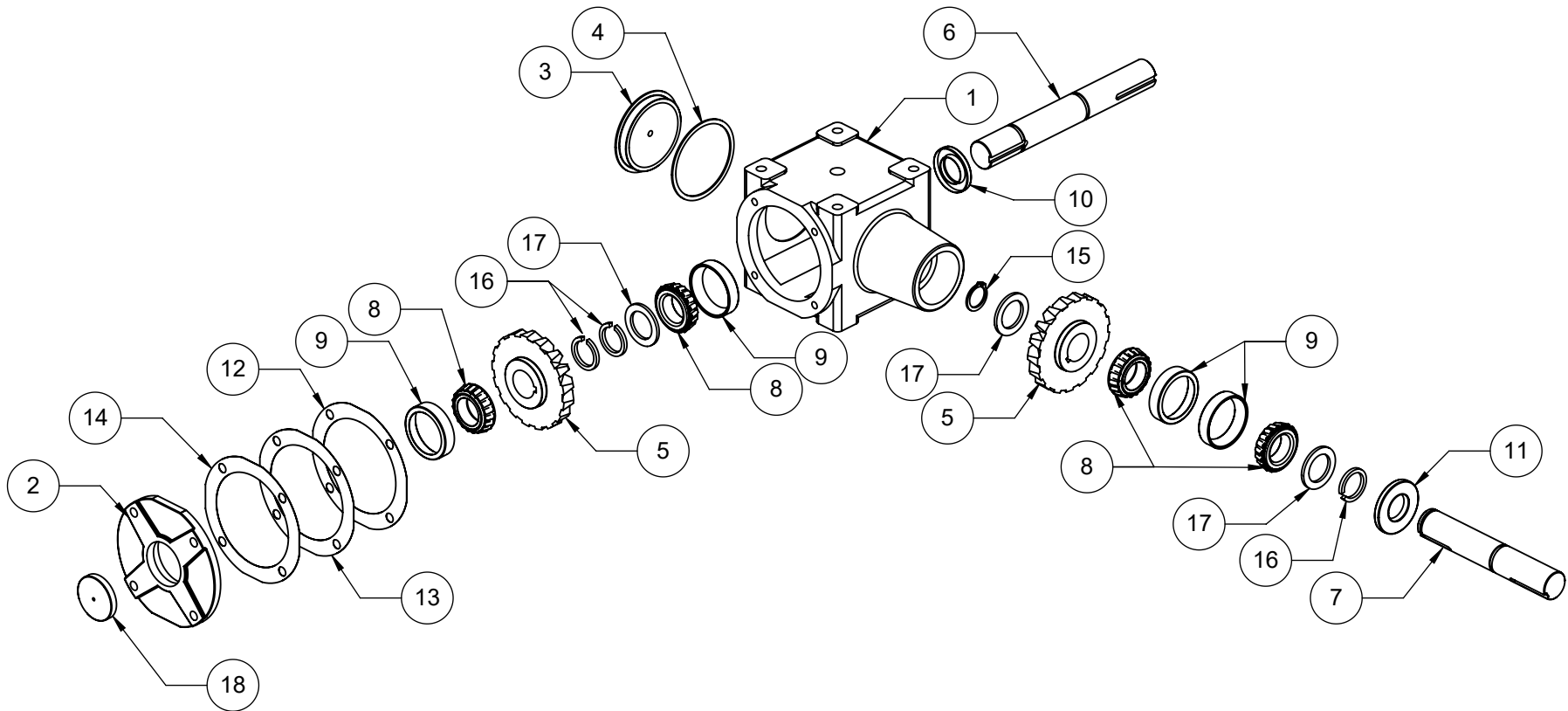
One Step Rod Cutter Rear Pull

PTO Gear Boxes

Section 14

Model Years 1988 – 1990	2-3
Model Years 1991 – 1993	4-5
Model Years 1994 - Present	6-9

Return to this page by clicking the upper right corner of any page in this section.



PRAIRIE 1 TO 1
GEAR BOX (RH Rotation)

Part No.

107000

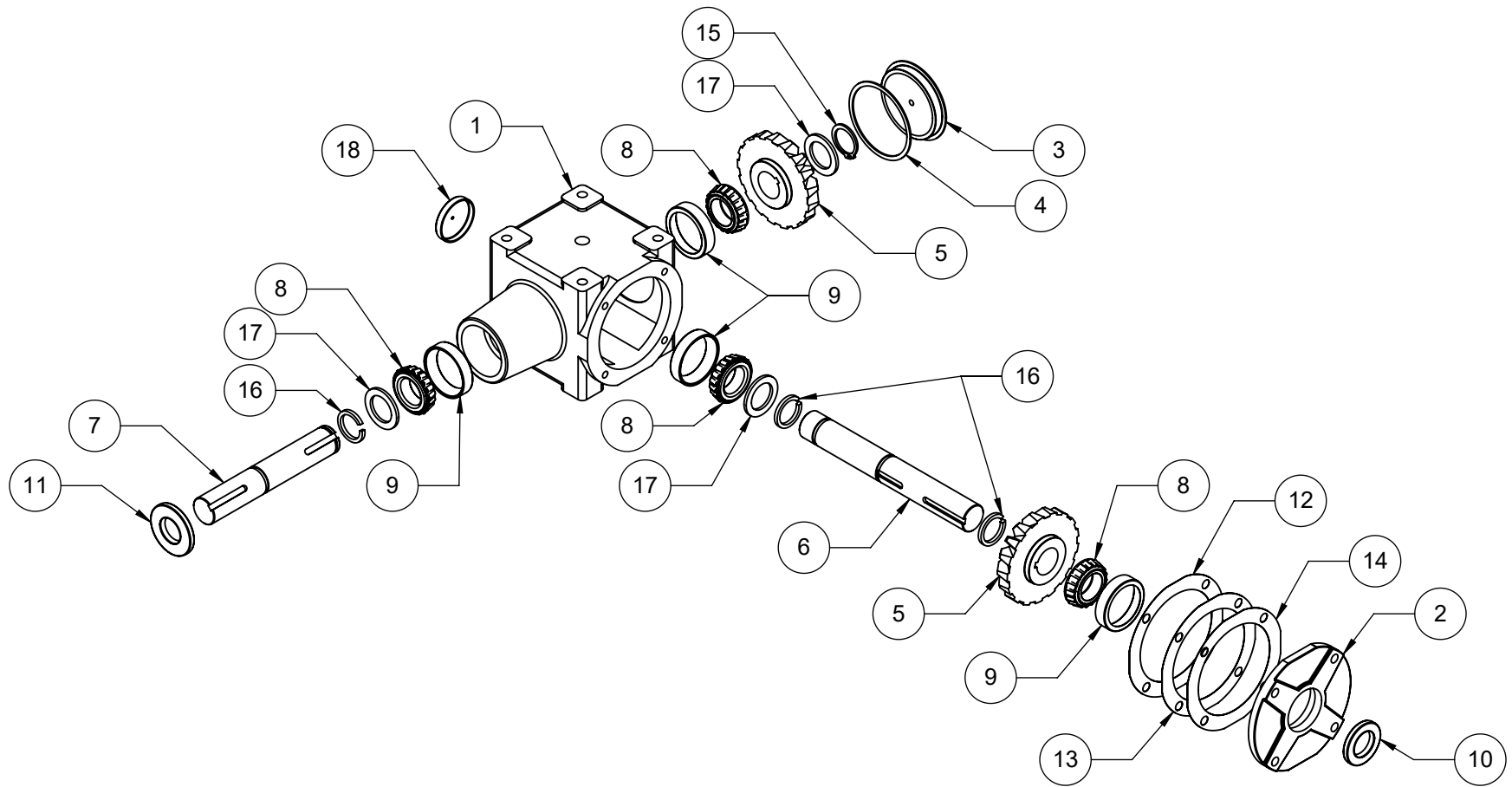
PRAIRIE 1 to 1 GEAR BOX - PART # 107000 (1988–1990)

RH Rotation

Parts List

<u>Item No.</u>	<u>Part No.</u>	<u>Qty.</u>	<u>Description</u>
1.	108144	1	Case
2.	103190	1	Cover, Cover Side Port
3.	116025	1	Cover, Stamping
4.	107037	1	Gasket, Stamping Cover
5.	107016	2	Gear 17T
6.	119320	1	Cross Shaft
7.	119296	1	Quill Shaft
8.	102085	4	Bearing Cone—LM67048
9.	102086	4	Bearing Cup—LM67010
10.	119275	1	Seal—471766
11.	119274	1	Seal—471808
12.	119127	As Required	Shim .005
13.	119128	As Required	Shim .0075
14.	119129	As Required	Shim .010
15.	106031	1	Snap Ring 1 1/4"
16.	118040	3	Snap Ring 1 1/4"
17.	123035	3	Washer 1 1/4"
18.	116026	1	Expansion Plug 2"

Note: All PTO gear box assemblies are shipped without oil.



PRAIRIE 1 TO 1
GEAR BOX (LH Rotation)

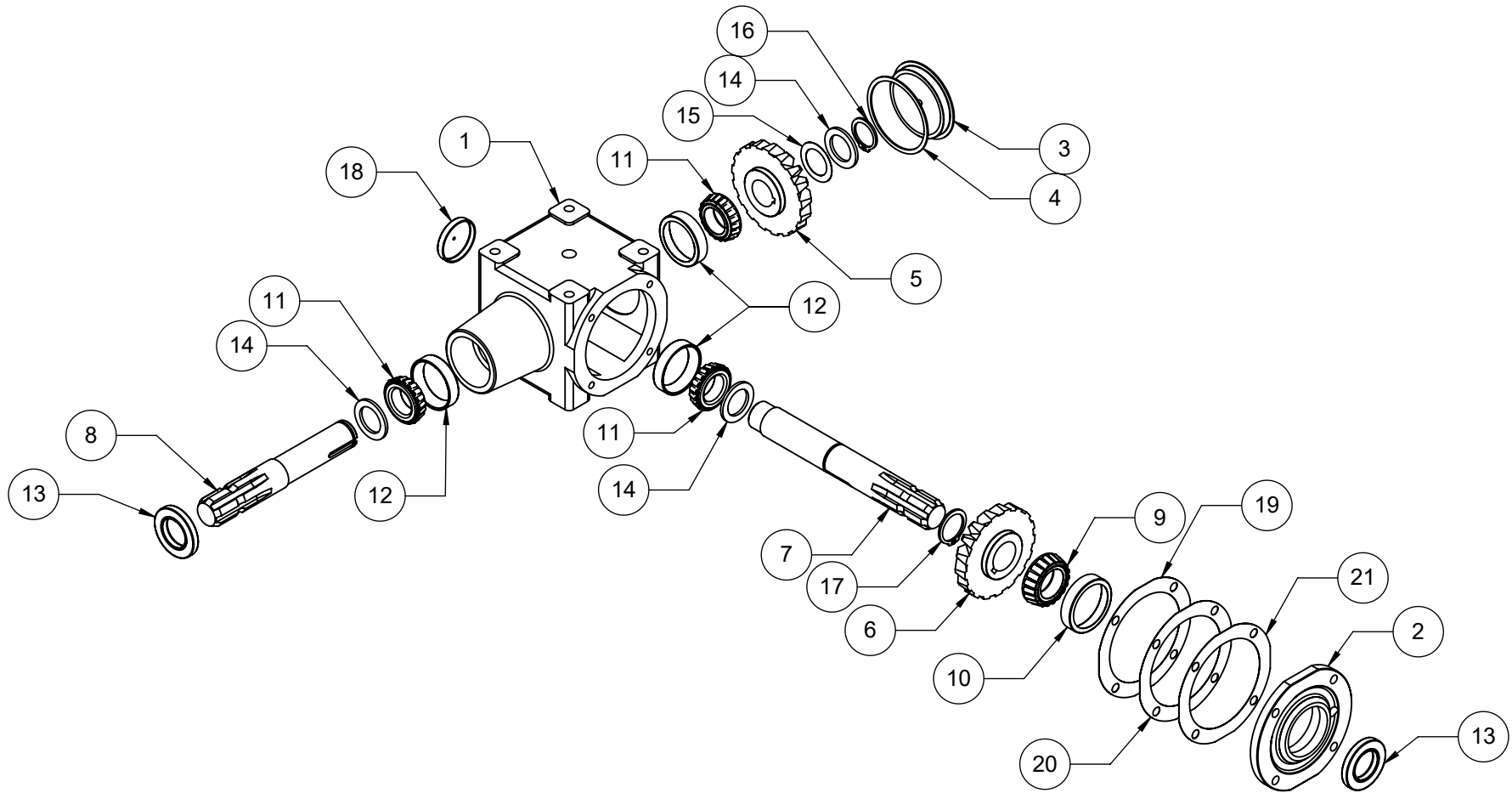
Part No.
107001

PRAIRIE 1 to 1 GEAR BOX – PART # 107001 (1991–1993) (Replaced by 107023) LH Rotation

Parts List

<u>Item No.</u>	<u>Part No.</u>	<u>Qty.</u>	<u>Description</u>
1.	108144	1	Case
2.	103190	1	Cover, Side Port
3.	116025	1	Cover, Stamping
4.	107037	1	Gasket, Stamping Cover
5.	107016	2	Gear 17T
6.	119295	1	Cross Shaft
7.	119296	1	Quill Shaft
8.	102085	4	Bearing Cone
9.	102086	4	Bearing Cup
10.	119275	1	Seal
11.	119274	1	Seal
12.	119127		Shim .005
13.	119128		Shim .0075
14.	119129		Shim .010
15.	106031	1	Snap Ring 1 1/4"
16.	118040	3	Snap Ring 1 1/4"
17.	123035	3	Washer 1 1/4"
18.	116026	1	Expansion Plug 2"

Note: All PTO gear box assemblies are shipped without oil.



PRAIRIE 1 TO 1
GEAR BOX (LH Rotation)

Part No.

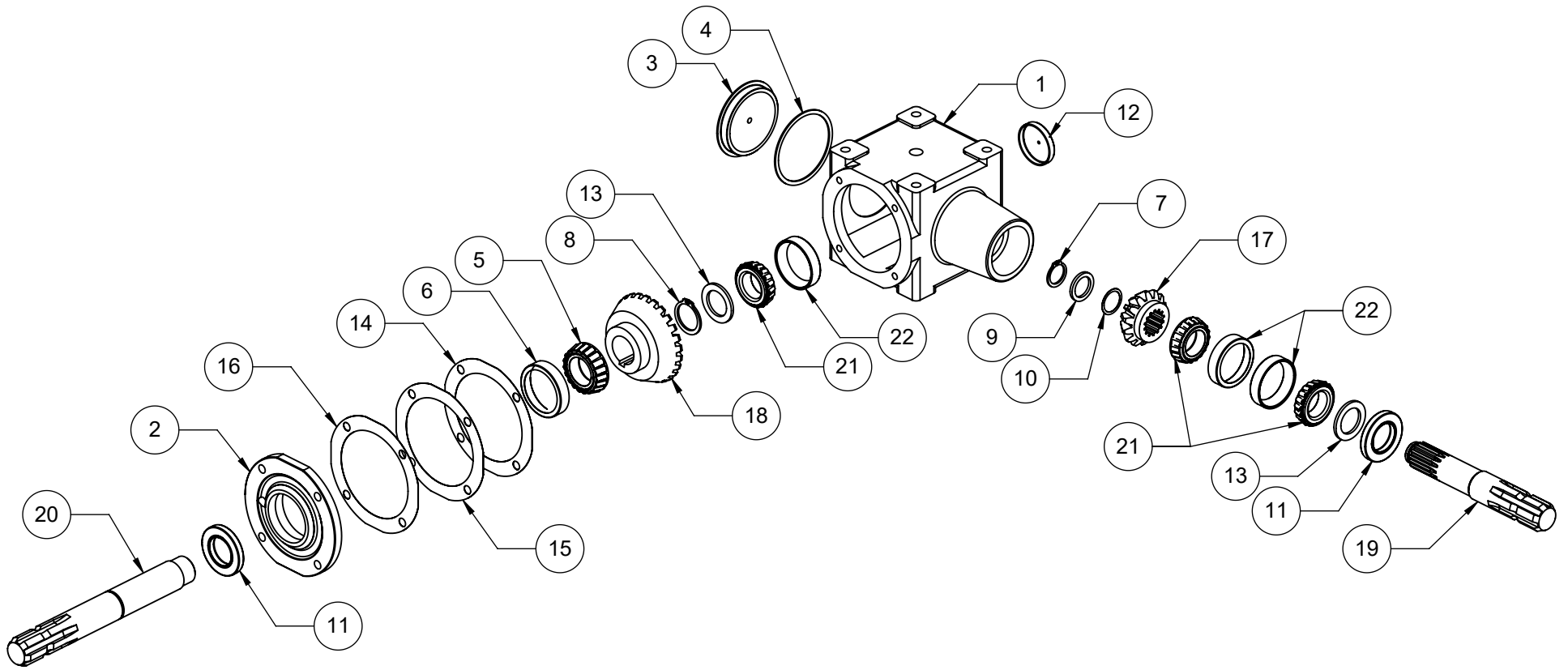
107012

PRAIRIE 1 to 1 GEAR BOX—#107012 (1994–Present)

Parts List

<u>Item No.</u>	<u>Part No.</u>	<u>Qty</u>	<u>Description</u>
1.	108144	1	Housing, Side Port
2.	103090	1	Cover, Side Port
3.	116025	1	Cover, Stamping
4.	107037	1	Gasket, Stamping Cover
5.	107016	1	Gear, 17 Tooth 1¼" Bore, ¼"Keyway
6.	107017	1	Gear, 17 Tooth 1¾" Bore, 5/16"Keyway
7.	119132	1	Cross Shaft
8.	119131	1	Pinion Shaft
9.	102083	1	Bearing, Cone—LM48548
10.	102084	1	Bearing Race—LM48510
11.	102085	3	Bearing, Cone—LM 67048
12.	102086	3	Bearing Race—LM 67010
13.	119113	2	Seal
14.	123035	3	Washer, 1¼"
15.	119126	As Required	Shim—.007" × 1¼"
16.	106031	1	Snap Ring, 1¼"
17.	106032	1	Snap Ring, 1¾"
18.	116026	1	Expansion Plug, 2"
19.	119127	As Required	Shim, Side Port Cover .005"
20.	119128	As Required	Shim, Side Port Cover .0075"
21.	119129	As Required	Shim, Side Port Cover .010"

Note: All PTO gear box assemblies are shipped without oil.



PRAIRIE 2 TO 1
GEAR BOX (LH Rotation)

Part No.

107014

PRAIRIE 2 to 1 GEAR BOX—#107014 (1994–Present)

Parts List

<u>Item No.</u>	<u>Part No.</u>	<u>Qty</u>	<u>Description</u>
1.	108144	1	Housing, Side Port
2.	103090	1	Cover, Side Port
3.	116025	1	Cover, Stamping
4.	107037	1	Gasket, Stamping Cover
5.	102083	1	Bearing, Cone—LM48548
6.	102084	1	Bearing Race—LM48510
7.	106033	1	Snap Ring, 1"
8.	106032	1	Snap Ring, 1 ³ / ₈ "
9.	123036	1	Washer 1"
10.	119130	As Required	Shim—.007" × 1.00"
11.	119113	2	Seal—473215
12.	116026	1	Expansion Plug, 2"
13.	123035	2	Washer, 1 ¹ / ₄ "
14.	119127	As Required	Shim, Side Port Cover .005"
15.	119128	As Required	Shim, Side Port Cover .0075"
16.	119129	As Required	Shim, Side Port Cover .010"
17.	107018	1	Pinion Gear, 14 Tooth (6-P)
18.	107019	1	Gear, 26 Tooth (6-P)
19.	119133	1	Pinion Shaft
20.	119132	1	Cross Shaft
21.	102085	3	Bearing, Cone—LM 67048
22.	102086	3	Bearing Race—LM 67010

Note: All PTO gear box assemblies are shipped without oil.