

Double Master Plus Combine

Platform **Section 2**

Platform DMP SP2 (2006 – 2014)..... 2-3

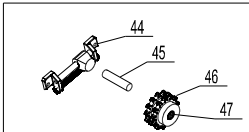
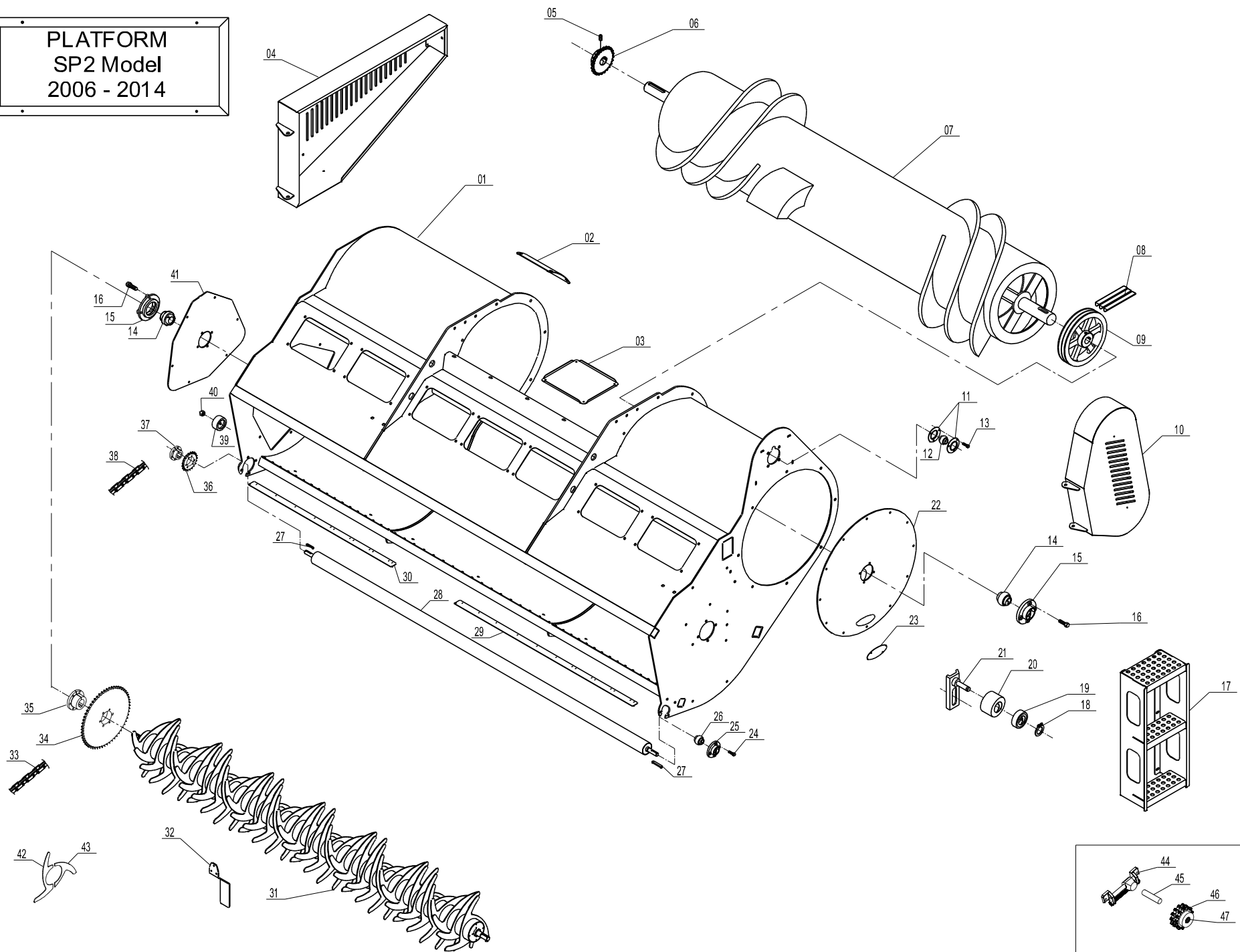
Platform DMP SP & DMP (2010 – 2014) 4-5

Platform DMP SP2 (2015 – Present) 6-7

Platform DMP SP & DMP (2015 – Present)..... 8-9

Return to this page by clicking the upper right corner of any page in this section.

PLATFORM
 SP2 Model
 2006 - 2014



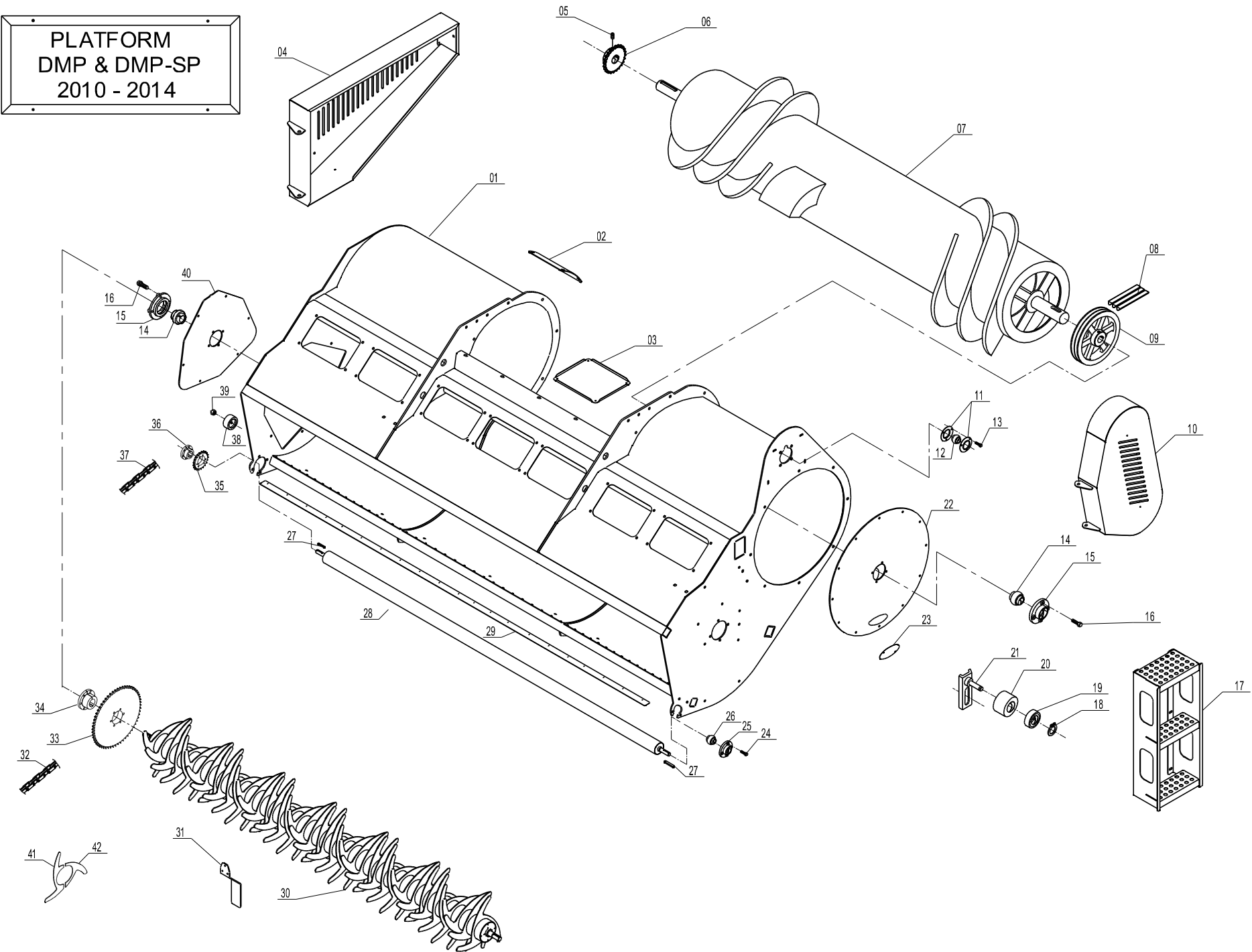
2010 - Present

DMP-SP2 Platform 120" (2006 – 2014)

Parts List

<u>Item</u>	<u>Part No.</u>	<u>Qty</u>	<u>Description</u>
01.	3.303.0763-5	1	Transition Auger and Star Roller Housing
02.	3.304.1295-1	2	Rear Clean Out Cover, Transition Auger
03.	3.303.1307-2	7	Access Door, Star Auger Scrapers
04.	013.170-4	1	Guard, RH Star Auger
05.	3.901.0005-2	1	Set Screw, 1/2" x 1"
06.	119333	1	Sprocket, 60B18 x 45mm
07.	3.303.0764-3	1	Transition Auger, DMP-SP2
08.	103154	72"	Roller Chain, RS 80-2 (per foot) (2010 – Present)
08a.	102220	3	V-belt, C73 (2006 – 2009)
09.	119256	2	Sprocket, D80E30 (2010 – Present)
09a.	119173	2	Sheave, 3C11.0 QD (2006 – 2009)
09b.	102115-03	2	Bushing, E x 45mm
10.	061.190-7	1	Guard, LH
11.	106070	1	Flangette, G85 MS
12.	102116	1	Bearing, 45mm
13.	3.901.0127-2	12	Carriage Bolt, M12 x 25mm
14.	102099	4	Bearing, 50mm
15.	106069	4	Flange, 4 Hole 50mm
16.	3.901.0128-4	24	Hex Bolt, M12 x 40mm
17.	3.303.0765-1	1	Steps, LH
18.	3.906.0003-3	1	Snap Ring, 25mm External (2006 – 2009)
19.	102101	2	Bearing, 205PP (2006 – 2009)
20.	060.378-1	1	Roller, Belt Tensioner (2006 – 2009)
21.	3.303.0769-2	1	Belt Tensioner Bracket (2006 – 2009)
22.	3.303.0768-4	1	Transition Auger Access Plate
23.	510985	2	Side Transition Auger Cleanout Cover
24.	3.901.0156-8	12	Hex Bolt, 1/2" x 1 1/2"
25.	106054	2	Flange, 4 Hole 35mm
26.	102100	2	Bearing, 35mm
27.	111008		Keystock, 10mm x 8mm (12")
28.	3.303.0761-9	1	Round Roller, DMP-SP2
29.	3.304.1316-1	1	Clean Off Scraper, Round Roller LH
30.	3.304.1317-8	1	Clean Off Scraper, Round Roller RH
31.	3.303.0759-5	1	Star Roller, DMP-SP2
32.	3.308.0741-3	30	Scraper, Star Auger
33.	103086	87"	Roller Chain, RS60 (per foot)
34.	119153	1	Sprocket, 60 SF 60
35.	102170	1	Bushing, SF x 45mm
36.	119228	1	Sprocket, 50SDS21
37.	102147	1	Bushing, SDS x 35mm
38.	103055	45"	Roller Chain, RS50 (per foot)
39.	3.938.0007-7	1	Nylon Chain Tensioner
40.	3.902.0050-9	7	Hex Nut, M12
41.	3.303.0762-7	1	Star Auger Access Plate
42.	510992		Replacement 2 Piece Star (large half)
43.	510993		Replacement 2 Piece Star (small half)
44.	109008	1	Idler Mount (2010 – Present)
45.	109002	1	Idler Shaft (2010 – Present)
46.	109007	1	Sprocket, 80-2 Idler (includes bearings) (2010 – Present)
47.	102190	2	Needle Bearing, Idler Sprocket (replacement for item 46)

PLATFORM
DMP & DMP-SP
2010 - 2014

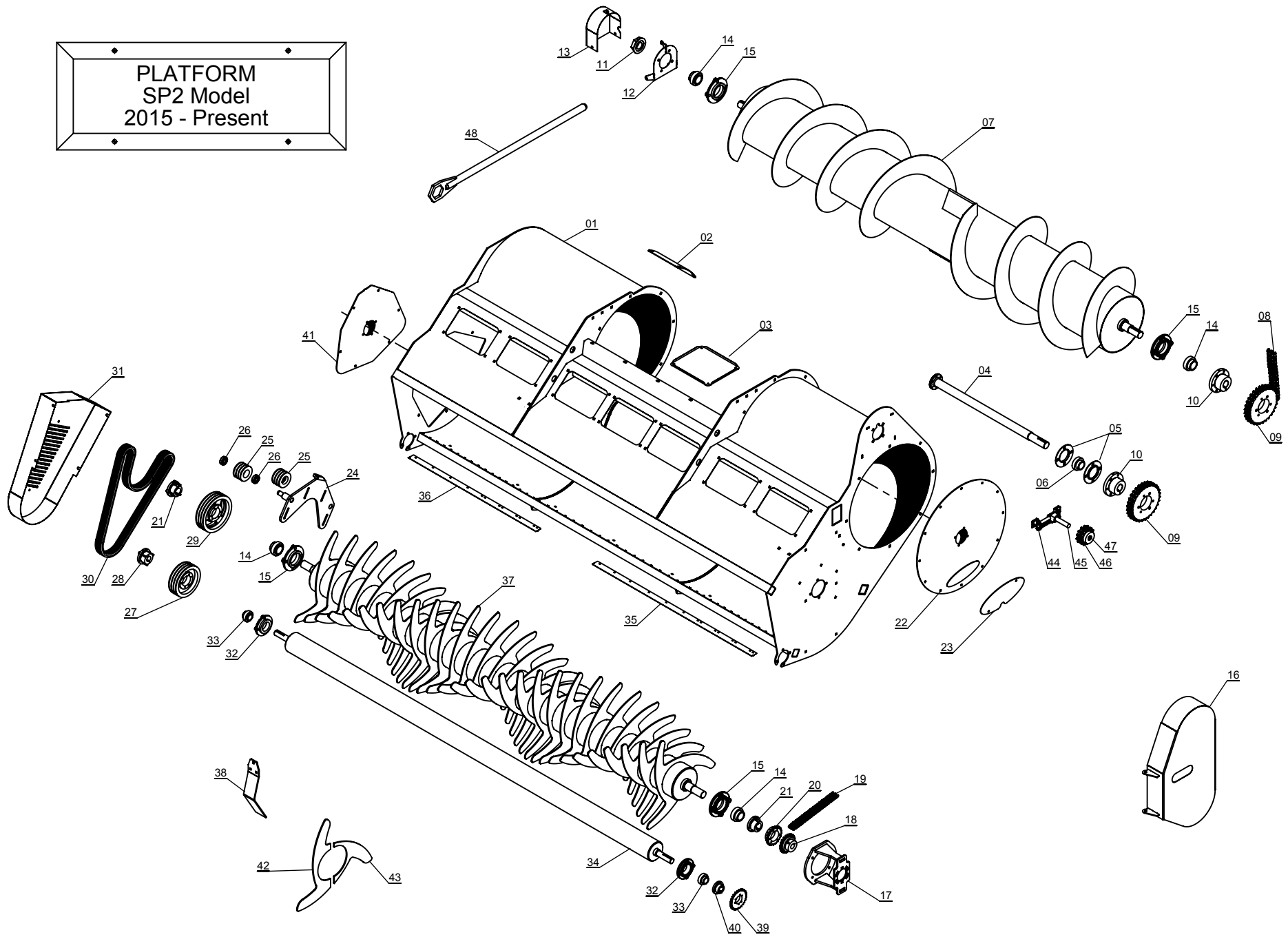


DMP & DMP-SP Platform 84" (2010 – 2014)

Parts List

<u>Item</u>	<u>Part No.</u>	<u>Qty</u>	<u>Description</u>
01.	104.559-7	1	Transition Auger and Star Roller Housing
02.	3.304.1295-1	2	Rear Clean Out Cover, Transition Auger
03.	3.303.1307-2	5	Access Door, Star Auger Scrapers
04.	013.170-4	1	Guard, RH Star Auger
05.	3.901.0005-2	1	Set Screw, 1/2" x 1"
06.	119333	1	Sprocket, 60B18 x 45mm
07.	104.568-8	1	Transition Auger, DMP & DMP-SP
08.	102220	3	V-belt, C73
09.	119173	2	Sheave, 3C11.0 QD
09a.	102115-03	2	Bushing, E x 45mm
10.	061.190-7	1	Guard, LH
11.	106070	1	Flangette, G85 MS
12.	102116	1	Bearing, 45mm
13.	3.901.0127-2	12	Carriage Bolt, M12 x 25mm
14.	102099	4	Bearing, 50mm
15.	106069	4	Flange, 4 Hole 50mm
16.	3.901.0128-4	24	Hex Bolt, M12 x 40mm
17.	3.303.0765-1	1	Steps, LH
18.	3.906.0003-3	1	Snap Ring, 25mm External
19.	102101	2	Bearing, 205PP
20.	060.378-1	1	Roller, Belt Tensioner
21.	3.303.0769-2	1	Belt Tensioner Bracket
22.	3.303.0768-4	1	Transition Auger Access Plate
23.	510985	2	Side Transition Auger Cleanout Cover
24.	3.901.0156-8	12	Hex Bolt, 1/2" x 1 1/2"
25.	106054	2	Flange, 4 Hole 35mm
26.	102100	2	Bearing, 35mm
27.	111008		Keystock, 10mm x 8mm (12")
28.	104.577-9	1	Round Roller, DMP & DMP-SP
29.	105.955-0	1	Clean Off Scraper, Round Roller
30.	104.579-5	1	Star Roller, DMP & DMP-SP
31.	3.308.0741-3	22	Scraper, Star Auger
32.	103086	87"	Roller Chain, RS60 (per foot)
33.	119153	1	Sprocket, 60 SF 60
34.	102170	1	Bushing, SF x 45mm
35.	119228	1	Sprocket, 50SDS21
36.	102147	1	Bushing, SDS x 35mm
37.	103055	45"	Roller Chain, RS50 (per foot)
38.	3.938.0007-7	1	Nylon Chain Tensioner
39.	3.902.0050-9	7	Hex Nut, M12
40.	3.303.0762-7	1	Star Auger Access Plate
41.	510992		Replacement 2 Piece Star (large half)
42.	510993		Replacement 2 Piece Star (small half)

PLATFORM
SP2 Model
2015 - Present

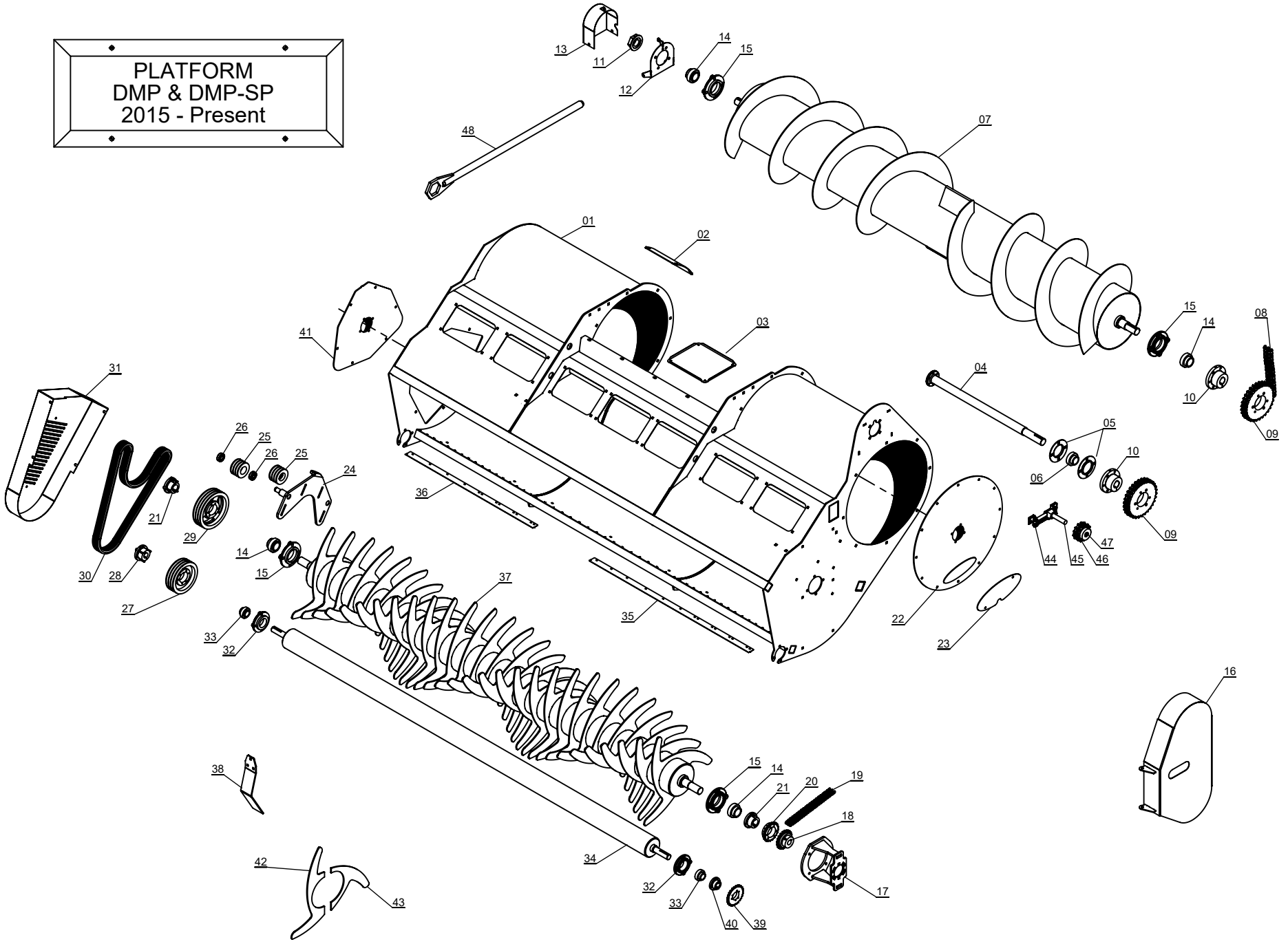


DMP-SP2 Platform 120" (2015 – Present)

Parts List

<u>Item</u>	<u>Part No.</u>	<u>Qty</u>	<u>Description</u>
01.	3.303.0763-5	1	Transition Auger and Star Roller Housing
02.	3.304.1295-1	2	Rear Clean Out Cover, Transition Auger
03.	3.303.1307-2	7	Access Door, Star Auger Scrapers
04.	3.103.0351-8-06	1	Radial Pin Clutch Shaft
05.	106070	1	Flangette, G85 MS
06.	102116	1	Bearing, 45mm
07.	3.303.0764-3	1	Transition Auger, DMP-SP2
08.	103154	72"	Roller Chain, RS 80-2 (per foot)
09.	119256	2	Sprocket, D80E30
10.	102115-03	2	Bushing, E x 45mm
11.	510835	1	Reversing Nut
12.	511276	1	Reversing Nut Guard Base
13.	511280	1	Reversing Nut Guard
14.	102099	4	Bearing, 50mm
15.	106069	4	Flange, 4 Hole 50mm
16.	061.190-7	1	Guard, LH
17.	510979	1	Hydraulic Motor Mount Support
18.	119250	1	Sprocket, 60B20 x 1 1/4" w/5/16" Keyway
19.	103157	1	Coupler Chain, 60 – 2 x 20
20.	119299	1	Sprocket, C60SK20
21.	102179	2	Bushing, SK x 45mm
22.	3.303.0768-4	1	Transition Auger Access Plate
23.	510985	2	Side Transition Auger Cleanout Cover
24.	510525	1	Reversing Idler Mount
25.	109006	2	Sheave, Triple Groove Idler (bearings not included)
26.	102101	4	Bearing, 205PP (for item # 25)
27.	119247	1	Sheave, 3B8.0 SK
28.	102178	1	Bushing, SK x 35mm
29.	119248	1	Sheave, 3B9.4SK
30.	102174	3	Belt, Pickup Head Drive (BB-85)
31.	510550	1	Guard, Pickup Head Drive Belt
32.	106054	2	Flange, 4 Hole 35mm
33.	102100	2	Bearing, 35mm
34.	3.303.0761-9	1	Round Roller, DMP-SP2
35.	3.304.1316-1	1	Clean Off Scraper, Round Roller LH
36.	3.304.1317-8	1	Clean Off Scraper, Round Roller RH
37.	136.473-3	1	Star Roller, DMP-SP2
38.	3.308.0741-3	30	Scraper, Star Auger
39.	119258	1	Sprocket, 50SDS26
40.	102147	1	Bushing, SDS x 35mm
41.	3.303.0762-7	1	Star Auger Access Plate
42.	510992		Replacement 2 Piece Star (large half)
43.	510993		Replacement 2 Piece Star (small half)
44.	109008	1	Idler Mount
45.	109002	1	Idler Shaft
46.	109007	1	Sprocket, 80-2 Idler (includes bearings)
47.	102190	2	Needle Bearing, Idler Sprocket (replacement for item 46)
48.	510832	1	Reversing Wrench

PLATFORM
DMP & DMP-SP
2015 - Present



DMP & DMP-SP Platform 84" (2015 – Present)

Parts List

<u>Item</u>	<u>Part No.</u>	<u>Qty</u>	<u>Description</u>
01.	104.559-7	1	Transition Auger and Star Roller Housing
02.	3.304.1295-1	2	Rear Clean Out Cover, Transition Auger
03.	3.303.1307-2	7	Access Door, Star Auger Scrapers
04.	3.103.0351-8-10	1	Radial Pin Clutch Shaft
05.	106070	1	Flangette, G85 MS
06.	102116	1	Bearing, 45mm
07.	104.568-8	1	Transition Auger, DMP & DMP-SP
08.	103154	72"	Roller Chain, RS 80-2 (per foot)
09.	119256	2	Sprocket, D80E30
10.	102115-03	2	Bushing, E x 45mm
11.	510835	1	Reversing Nut
12.	511276	1	Reversing Nut Guard Base
13.	511280	1	Reversing Nut Guard
14.	102099	4	Bearing, 50mm
15.	106069	4	Flange, 4 Hole 50mm
16.	061.190-7	1	Guard, LH
17.	510979	1	Hydraulic Motor Mount Support
18.	119250	1	Sprocket, 60B20 x 1 1/4" w/5/16" Keyway
19.	103157	1	Coupler Chain, 60 – 2 x 20
20.	119299	1	Sprocket, C60SK20
21.	102179	2	Bushing, SK x 45mm
22.	3.303.0768-4	1	Transition Auger Access Plate
23.	510985	2	Side Transition Auger Cleanout Cover
24.	510525	1	Reversing Idler Mount
25.	109006	2	Sheave, Triple Groove Idler (bearings not included)
26.	102101	4	Bearing, 205PP (for item # 25)
27.	119247	1	Sheave, 3B8.0 SK
28.	102178	1	Bushing, SK x 35mm
29.	119248	1	Sheave, 3B9.4SK
30.	102174	3	Belt, Pickup Head Drive (BB-85)
31.	510550	1	Guard, Pickup Head Drive Belt
32.	106054	2	Flange, 4 Hole 35mm
33.	102100	2	Bearing, 35mm
34.	104.577-9	1	Round Roller, DMP & DMP-SP
35.	105.955-0	1	Clean Off Scraper, Round Roller
36.	105.955-0	1	Clean Off Scraper, Round Roller
37.	104.579-5A	1	Star Roller, DMP & DMP-SP
38.	3.308.0741-3	22	Scraper, Star Auger
39.	119258	1	Sprocket, 50SDS26
40.	102147	1	Bushing, SDS x 35mm
41.	3.303.0762-7	1	Star Auger Access Plate
42.	510992		Replacement 2 Piece Star (large half)
43.	510993		Replacement 2 Piece Star (small half)
44.	109008	1	Idler Mount
45.	109002	1	Idler Shaft
46.	109007	1	Sprocket, 80-2 Idler (includes bearings)
47.	102190	2	Needle Bearing, Idler Sprocket (replacement for item 46)
48.	510832	1	Reversing Wrench