

Twin Master Combine

Platform

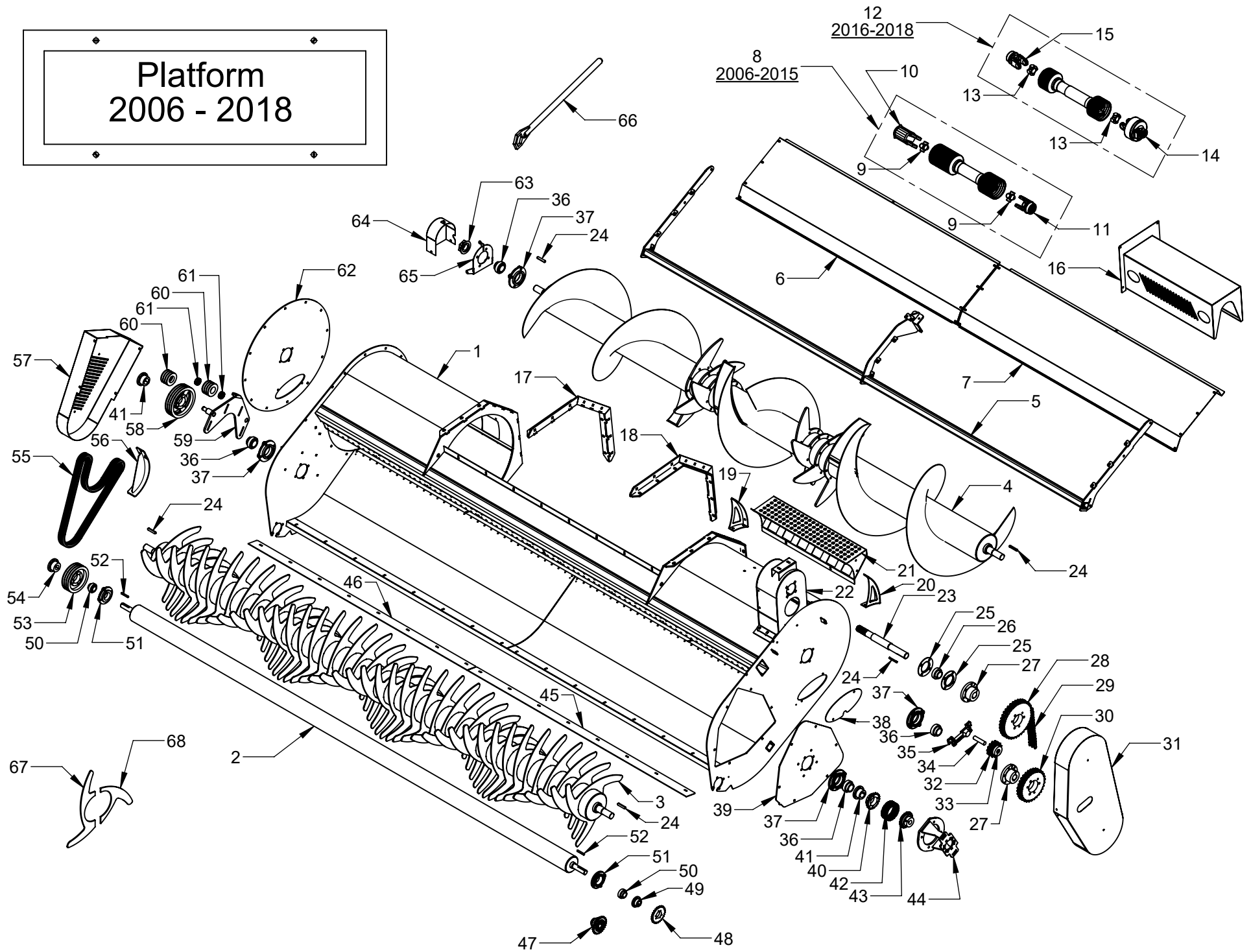
Section 2

Platform (2006 – 2018)..... 2-4

Platform (2019 – Present) 5-7

Return to this page by clicking the upper right corner of any page in this section.

Platform 2006 - 2018



Platform – 2006 to 2018

Parts List

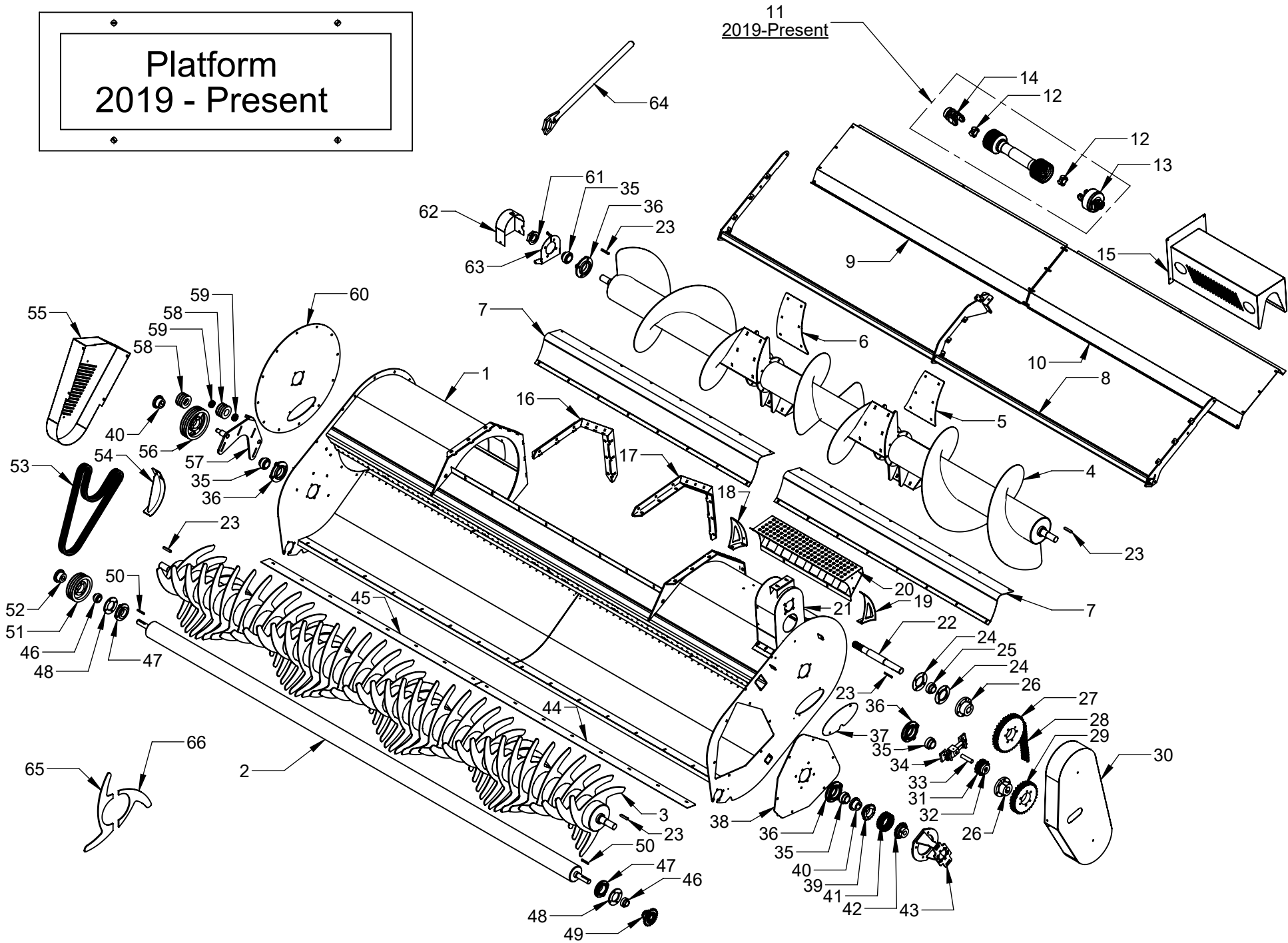
<u>Item</u>	<u>Part No.</u>	<u>Qty</u>	<u>Description</u>
1.	3.303.0699-6	1	Platform Main Frame
2.	056.080-1	1	Round Roller
3.	044.411-5	1	Star Roller
4.	031.118-8	1	Transition Auger
5.	510515	1	Star Roller Cover Frame
6.	510503	1	Star Roller Cover RH
7.	510504	1	Star Roller Cover LH
8.	104045	1	Driveline, Transition Auger Complete (2006 – 2015)
9.	102180	2	Cross & Bearing Kit (2006 – 2015)
10.	124030	1	Radial Pin Clutch (2006 – 2015)
11.	124027	1	Yoke, 1 3/4" – 20 Spline (2006 – 2015)
12.	104051	1	Driveline, Transition Auger Complete (2016 – 2018)
13.	102111	2	Cross & Bearing Kit (2016 – 2018)
14.	124041	1	Cut-Out Clutch (2016 – Present)
15.	124040	1	Yoke, 1 3/8" – 6 Spline (2016 – 2018)
16.	039.982-2	1	Shield, Gearbox/Driveline
17.	023.783-0	1	Platform Mounting Bracket RH
18.	002.927-7	1	Platform Mounting Bracket LH
19.	510994	1	Upper Step Support RH
20.	510995	1	Upper Step Support LH
21.	511162	1	Upper Step
22.	3.303.0693-9	1	Jack Shaft Housing Mount
23.	510638	1	Transition Auger Jack Shaft
24.	111007		Keystock, 14mm x 9mm (12")
25.	106070	2	Flangette, G85 – MS (pair)
26.	102116	2	Bearing, 45mm
27.	102115-03	2	Bushing, E x 45mm
28.	119255	2	Sprocket, D80E36
29.	103154	94"	RS 80 – 2 Chain per foot
30.	119256	1	Sprocket, D80E30
31.	510785	1	Shield, Transition Auger Chain Drive
32.	109007	1	Sprocket, 80 – 2 Idler (includes bearings)
33.	102190	2	Needle Bearing, Idler Sprocket (for item 32)
34.	109002	1	Idler Shaft
35.	109008	1	Idler Mount
36.	102099	4	Bearing, 50mm
37.	106069	4	Flange, 50mm
38.	510985	2	Clean Out Cover
39.	032.979-9	1	Star Roller LH Side Access Cover
40.	119299	1	Sprocket, C60SK20

Platform – 2006 to 2018

Parts List

<u>Item</u>	<u>Part No.</u>	<u>Qty</u>	<u>Description</u>
41.	102179	2	Bushing, SK x 45mm
42.	103157	1	Coupler Chain, C6020
43.	119250	1	Sprocket, 60B20 x 1 1/4" w/516" Keyway
44.	510979	1	Hydraulic Motor Mount Support
45.	013.965-1	1	Scraper, Round Roller LH
46.	067.309-8	1	Scraper, Round Roller RH
47.	103315	1	Overrunning Clutch Sprocket (2018 – present)
48.	119258	1	Sprocket, 50SDS26 (2006 – 2017)
49.	102147	1	Bushing, SDS x 35mm (2006 – 2017)
50.	102100	2	Bearing, 35mm Insert
51.	106054	2	Bearing Flange, 35mm
52.	111008		Keystock, 10mm x 8mm (12")
53.	119247	1	Sheave, 3B8.0 SK
54.	102178	1	Bushing, SK x 35mm
55.	102174	3	Belt, Pickup Head Drive (BB85)
56.	510322-B	43	Scraper, Star Roller
57.	510550-08	1	Shield, Pickup Head Drive Belt
58.	119248	1	Sheave, 3B9.4 SK
59.	510525	1	Reversing Idler Mount
60.	109006	2	Sheave, Triple Groove Idler (bearings not included)
61.	102101	4	Bearing, PP205 (for item # 60)
62.	055.936-3	1	Transition Auger RH Side Access Cover
63.	510835	1	Reversing Nut
64.	511280	1	Reversing Nut Guard
65.	511276	1	Reversing Nut Guard Base
66.	510832	1	Reversing Wrench
67.	510992		Replacement 2 Piece Star (large half)
68.	510993		Replacement 2 Piece Star (small half)
Not shown	510593		Replacement RH Transition Auger Flight (aprox. 24" long)
Not shown	510594		Replacement LH Transition Auger Flight (aprox. 24" long)
Not shown	510376		Star or Transition Auger Carrier (input & output)

Platform
2019 - Present



Platform – 2019 to Present

Parts List

<u>Item</u>	<u>Part No.</u>	<u>Qty</u>	<u>Description</u>
1.	3.303.0699-6	1	Platform Main Frame
2.	056.080-1	1	Round Roller
3.	044.411-5	1	Star Roller
4.	511395-B	1	Transition Auger
5.	511418	2	RH Bolt-on Transition Auger Paddle Replacement
6.	511417	2	LH Bolt-on Transition Auger Paddle Replacement
7.	511392-A	2	Transition Auger Ramp
8.	510515	1	Star Roller Cover Frame
9.	510503	1	Star Roller Cover RH
10.	510504	1	Star Roller Cover LH
11.	104053	1	Driveline, Transition Auger Complete (2019 – Present)
12.	102111	2	Cross & Bearing Kit (2016 – Present)
13.	124041	1	Cut-Out Clutch (2016 – Present)
14.	124019	1	Yoke, 1 3/4" – 20 Spline (2019 – Present)
15.	039.982-2	1	Shield, Gearbox/Driveline
16.	023.783-0	1	Platform Mounting Bracket RH
17.	002.927-7	1	Platform Mounting Bracket LH
18.	510994	1	Upper Step Support RH
19.	510995	1	Upper Step Support LH
20.	511162	1	Upper Step
21.	3.303.0693-9	1	Jack Shaft Housing Mount
22.	510638	1	Transition Auger Jack Shaft
23.	111007		Keystock, 14mm x 9mm (12")
24.	106070	2	Flangette, G85 – MS (pair)
25.	102116	2	Bearing, 45mm
26.	102115-03	2	Bushing, E x 45mm
27.	119255	2	Sprocket, D80E36
28.	103154	94"	RS 80 – 2 Chain per foot
29.	119256	1	Sprocket, D80E30
30.	510785	1	Shield, Transition Auger Chain Drive
31.	109007	1	Sprocket, 80 – 2 Idler (includes bearings)
32.	102190	2	Needle Bearing, Idler Sprocket (for item 31)
33.	109002	1	Idler Shaft
34.	109008	1	Idler Mount
35.	102099	4	Bearing, 50mm
36.	106069	4	Flange, 50mm
37.	510985	2	Clean Out Cover
38.	032.979-9	1	Star Roller LH Side Access Cover
39.	119299	1	Sprocket, C60SK20
40.	102179	2	Bushing, SK x 45mm

Platform – 2019 to Present

Parts List

<u>Item</u>	<u>Part No.</u>	<u>Qty</u>	<u>Description</u>
41.	103157	1	Coupler Chain, C6020
42.	119250	1	Sprocket, 60B20 x 1 1/4" w/516" Keyway
43.	510979	1	Hydraulic Motor Mount Support
44.	013.965-1	1	Scraper, Round Roller LH
45.	067.309-8	1	Scraper, Round Roller RH
46.	102100	2	Bearing, 35mm Insert
47.	106054	2	Bearing Flange, 35mm
48.	511193	2	Pickup Head Retaining Spacer
49.	103315	1	Overrunning Clutch Sprocket
50.	111008		Keystock, 10mm x 8mm (12")
51.	119247	1	Sheave, 3B8.0 SK
52.	102178	1	Bushing, SK x 35mm
53.	102174	3	Belt, Pickup Head Drive (BB – 85)
54.	510322-B	43	Scraper, Star Roller
55.	510550-08	1	Shield, Pickup Head Drive Belt
56.	119248	1	Sheave, 3B9.4 SK
57.	510525	1	Reversing Idler Mount
58.	109006	2	Sheave, Triple Groove Idler (bearings not included)
59.	102101	4	Bearing, PP205 (for item # 58)
60.	055.936-3	1	Transition Auger RH Side Access Cover
61.	510835	1	Reversing Nut
62.	511280	1	Reversing Nut Guard
63.	511276	1	Reversing Nut Guard Base
64.	510832	1	Reversing Wrench
65.	510992		Replacement 2 Piece Star (large half)
66.	510993		Replacement 2 Piece Star (small half)
Not shown	510593		Replacement RH Transition Auger Flight (aprox. 24" long)
Not shown	510594		Replacement LH Transition Auger Flight (aprox. 24" long)
Not shown	510376		Star or Transition Auger Carrier (input & output)