

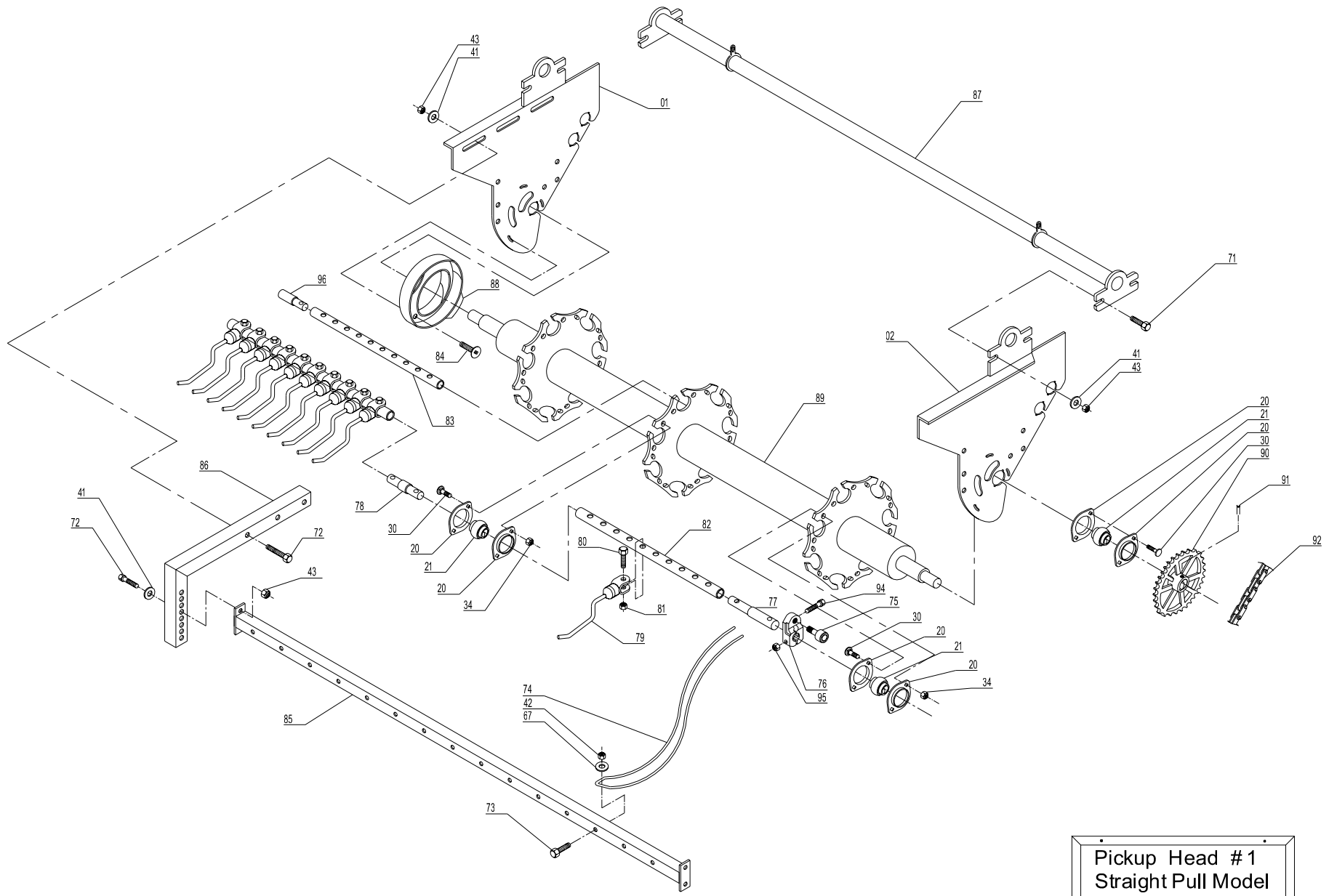
Double Master Plus Combine

Pickup Head

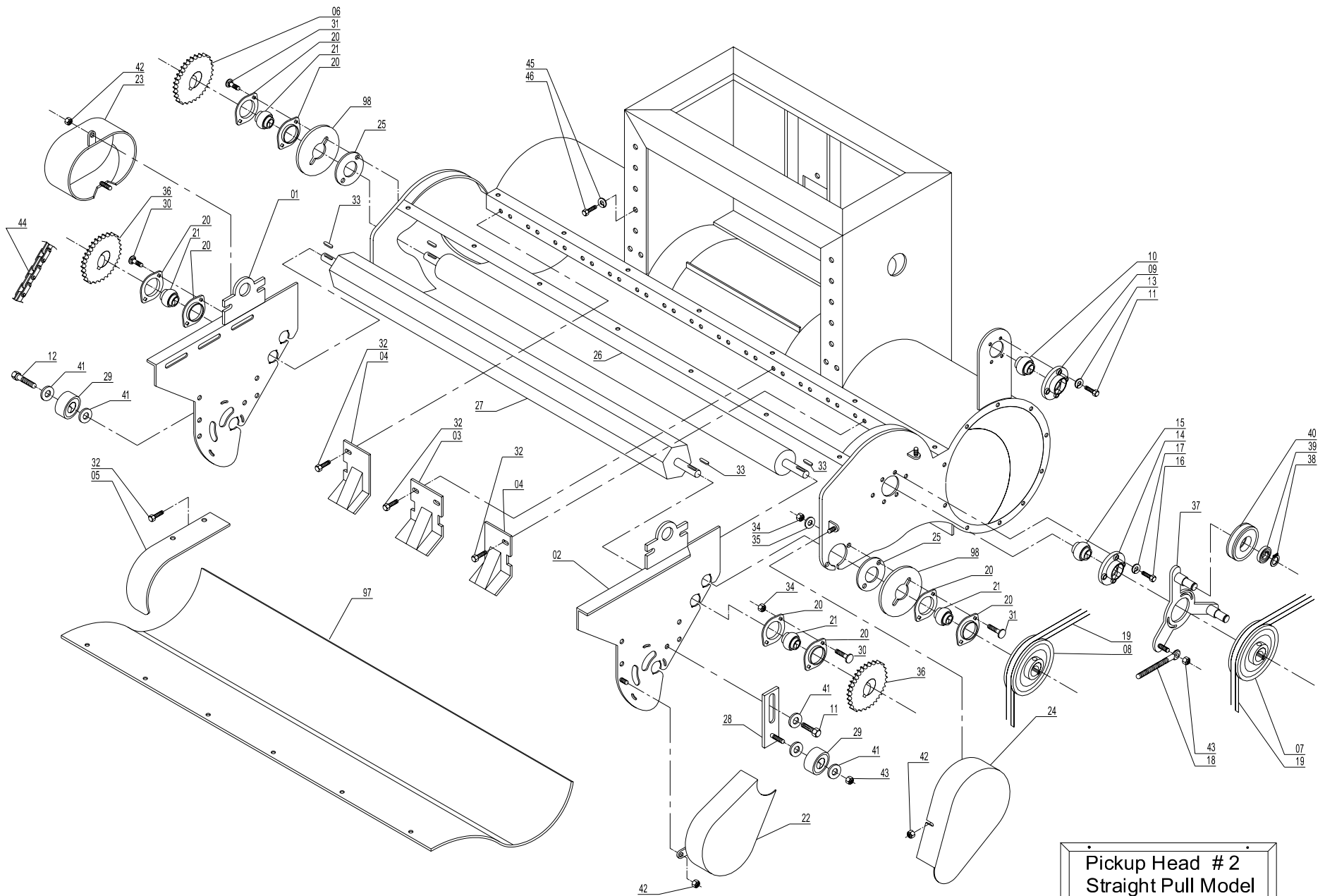
Section 3

Pickup Head Straight Pull (2001 – 2009)	2-7
Pickup Head DMP SP2 (2006 – 2008).....	8-10
Pickup Head DMP SP2 (2009 – 2014).....	11-13
Pickup Head DMP & DMP SP (2010 – 2014)	14-16
Pickup Head DMP SP2 (2015 – Present)	17-19
Pickup Head DMP & DMP SP (2015 – Present).....	20-22

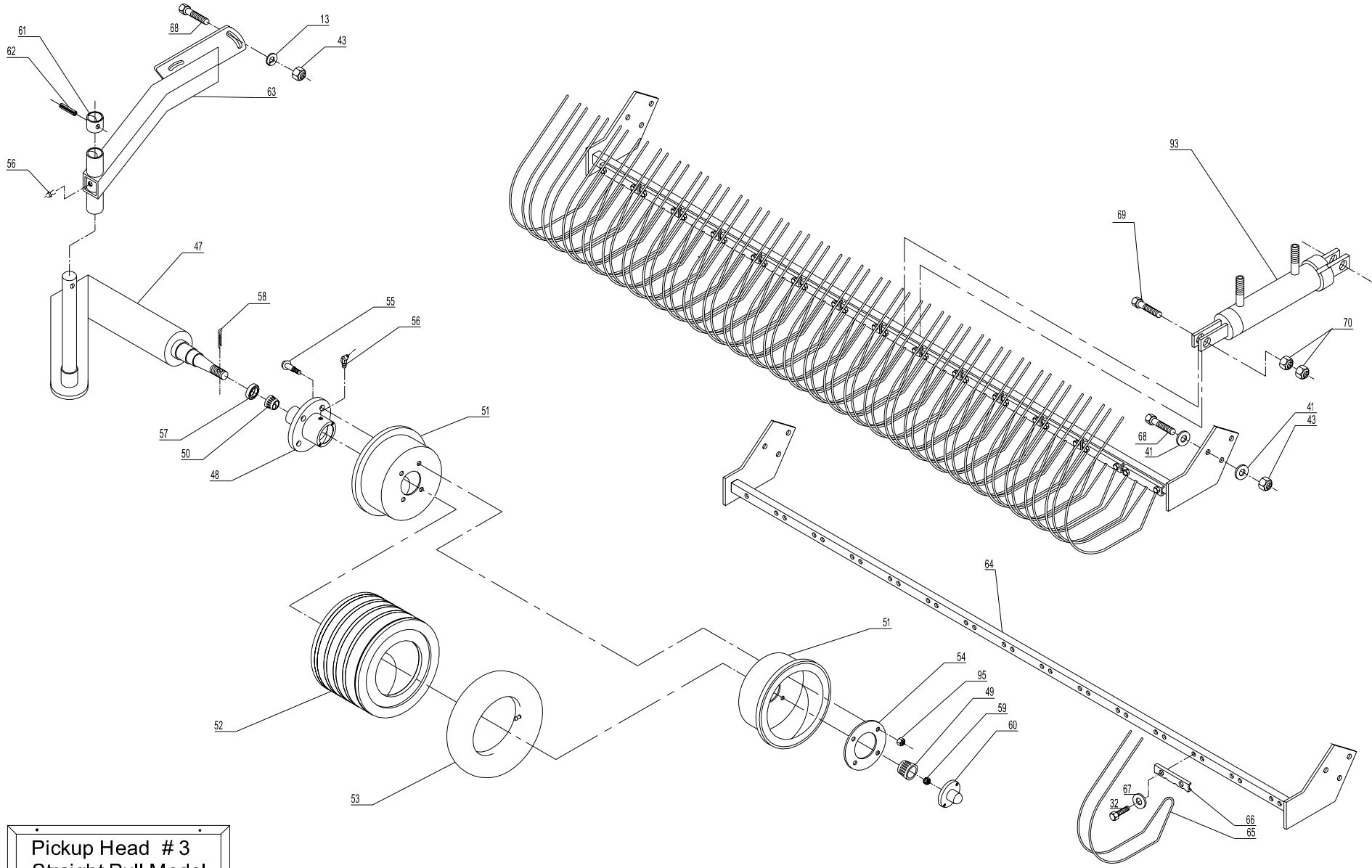
Return to this page by clicking the upper right corner of any page in this section.



Pickup Head #1
 Straight Pull Model
 2001 - 2009



Pickup Head # 2
Straight Pull Model
2001 - 2009



Pickup Head #3
 Straight Pull Model
 2001 - 2009

DMP Pickup Head – Straight Pull (2001 – 2009)

Parts List

<u>Item</u>	<u>Part No.</u>	<u>Qty</u>	<u>Description</u>
00.	3.301.0016-9	1	Pickup Head Assembly
01.	3.303.0171-3	1	Side Plate, RH
02.	3.303.0172-1	1	Side Plate, LH
03.	3.103.0296-8	12	Star Roller Scraper
04.	3.103.0295-1	2	Star Roller Scraper, Side
05.	3.304.0382-2	2	Shroud, Roller
06.	119228	1	Sprocket, 50SDS21
06a.	102145	1	Bushing, SDS x 1"
07.	070.305-6	1	Pulley, 1Bx200mm x 35mm
08.	011.598-1	1	Pulley, 1Bx200mm x 1"
09.	106055	1	Flange, RFC 50mm
10.	102099	1	Bearing, UCR 210 50mm
11.	3.901.0041-7	5	Hex Bolt, 1/2" x 1 3/4" ww
12.	3.901.0043-3	1	Hex Bolt, 1/2" x 2" ww
13.	3.904.0001-1	9	Lock Washer, 1/2"
14.	106054	1	Flange, RFC 35mm
15.	102100	1	Bearing, UCR 207 35mm
16.	3.901.0082-2	4	Hex Bolt, 7/16" x 1 1/2"
17.	3.904.0007-7	4	Lock Washer, 7/16"
18.	3.803.0001-6	1	Eye Bolt, 1/2" x 150mm
19.	102104	1	V-belt, BB75
20.	106013	30	Flangette, 52 MST
21.	102005	30	Bearing, 1" Insert
22.	064.030-3	1	Chain Guard, PUH LH Lower
23.	007.255-7	1	Chain Guard, PUH RH
24.	014.856-1	1	Chain Guard, PUH LH Upper
25.	510910	2	Hinge Spacer
26.	3.303.0176-2	1	4" Roller
27.	3.303.0175-4	1	Hex Roller
28.	3.303.0083-9	1	Chain Tensioner Bracket
29.	3.938.0007-7	2	Nylon Chain Tensioner
30.	3.901.0027-1	56	Carriage Bolt, M8 x 20mm
31.	3.901.0101-6	4	Carriage Bolt, M8 x 35mm
32.	3.901.0057-1	24	Hex Bolt, 3/8" x 1"
33.	3.004.0008-5	6	Keystock, 5/16" x 40mm
34.	3.902.0008-8	60	Nylon Lock Nut, M8
35.	3.934.0004-4	20	Flat Washer, 5/16"
36.	119006	2	Sprocket, 50BS15 x 1"
37.	3.103.0356-7	1	Belt Tensioner, 4" and Hex Roller
38.	3.906.0003-3	2	Snap Ring
39.	102101	2	Bearing, 6205zz

DMP Pickup Head – Straight Pull (2001 – 2009)

Parts List

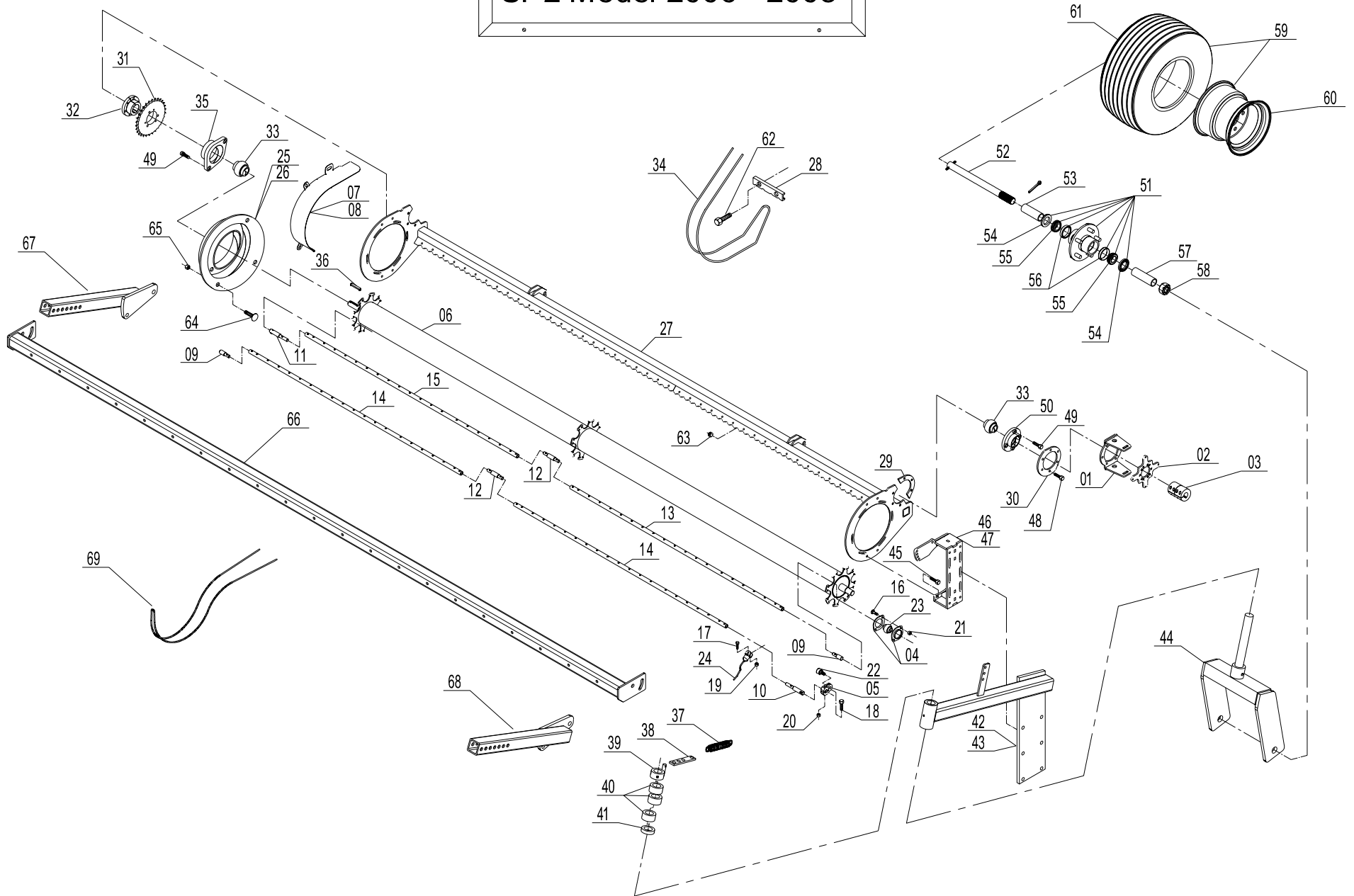
<u>Item</u>	<u>Part No.</u>	<u>Qty</u>	<u>Description</u>
40.	3.006.0060-9	2	Pulley, Idler 1B
41.	3.934.0001-7	10	Flat Washer, 1/2"
42.	3.902.0014-4	40	Hex Nut, 3/8"
43.	3.902.0011-1	30	Hex Nut, 1/2"
44.	103055	25"	Roller Chain, RS50 (per foot)
45.	3.901.0077-4	14	Hex Bolt, 5/8" x 2"
46.	3.904.0006-9	14	Lock Washer, 5/8"
47.	511057	1	Gauge Wheel Mount RH (Shown)
47a.	511056	1	Gauge Wheel Mount LH (Not Shown)
48.	3.006.0131-3	2	Gauge Wheel Hub (PUH)
49.	102132	2	Wheel Bearing, Outer
50.	102131	2	Wheel bearing, Inner
51.	120023	2	Gauge Wheel Steel Rim 8 x 7
52.	120023	2	Gauge Wheel Tire 18.5 x 850-8
53.	3.915.0020-8	2	Tube, 18 x 9-50-8NHS
54.	3.304.0416-2	4	Gauge Wheel Center Plate
55.	3.901.0086-2	8	Hex Bolt, 7/16" x 45mm
56.	3.905.0004-7	4	Grease Zerk, 1/4" 28 NF
57.	119230	2	Wheel Seal
58.	3.906.0018-8	2	Cotter Pin, 1/8" x 1 1/2"
59.	3.902.0006-3	2	Castle Nut, 3/4" NF
60.	3.006.0177-6	2	Dust Cap, Gauge Wheel
61.	3.307.0082-5	2	Spacer
62.	3.906.0015-5	2	Roll Pin, 8mm x 60mm
63.	3.303.0177-9	2	Gauge Wheel Arm
64.	3.303.0178-7	1	Rotor Rod Mount
65.	019.799-7	22	Rotor Rod
66.	103024	11	Clip, Rotor Rod 2-Hole
67.	3.934.0003-3	30	Flat Washer, 3/8"
68.	3.901.0039-3	12	Hex Bolt, 1/2" x 1 1/2"
69.	3.901.0078-2	2	Hex Bolt, 5/8" x 2 1/2"
70.	3.902.0016-9	4	Hex Nut, 5/8"
71.	3.901.0040-9	4	Hex Bolt, 1/2" x 1 1/4"
72.	3.901.0045-8	10	Hex Bolt, 1/2" x 3"
73.	3.901.0063-6	15	Hex Bolt, 3/8" x 2 1/2"
74.	118002	15	Hold Down Rods
75.	102015	8	Cam Bearing
76.	103095	8	Cam Arm
77.	119136	4	RH Finger Rod Offset Plug
77a.	119137	4	LH Finger Rod Offset Plug
78.	900857	8	Finger Rod Coupler

DMP Pickup Head – Straight Pull (2001 – 2009)

Parts List

<u>Item</u>	<u>Part No.</u>	<u>Qty</u>	<u>Description</u>
79.	106052	168	Finger Tine, Soft
80.	3.901.0094-4	168	Hex Bolt, 5/16" x 1 3/4"
81.	3.902.0001-4	168	Nylon Lock Nut, 5/16"
82.	900866	8	RH Finger Tube, 37 3/8"
83.	900867	8	LH Finger Tube, 41 3/8"
84.	3.901.0095-2	6	Flat Head Allen Bolt 3/8" x 1 1/4"
85.	3.303.0179-5	1	Hold Down Rod Mount
86.	3.303.0180-2	2	Adjustable Hold Down Rod Mounting Bracket
87.	3.303.0181-9	1	Side Plate Brace
88.	103096	2	Cam Track
89.	3.303.0078-2	1	Pickup Head With Spiders
90.	055.963-6	1	Sprocket, 50BS45 x 1"
91.	3.901.0012-5	8	Set Screw, 3/8" x 3/4"
92.	103055	50"	Roller Chain, RS50 (per foot)
93.	3.919.0173-7	1	Pickup Head Lift Ram
93a.	119192		Seal Kit, 2000 Only
93b.	119191		Seal Kit, 2001 – Present
94.	3.901.0131-6	8	Hex Bolt, 7/16" x 3"
95.	3.902.0034-7	8	Nylon Lock Nut, 7/16"
96.	901412	8	Short Finger Rod Plug
97.	030.685-0	1	Cover Star Feeder Screen
98.	510909	2	Hinge Lock

PICKUP HEAD SP2 Model 2006 - 2008



DMP Pickup Head – SP2 120” (2006 – 2008)

Parts List

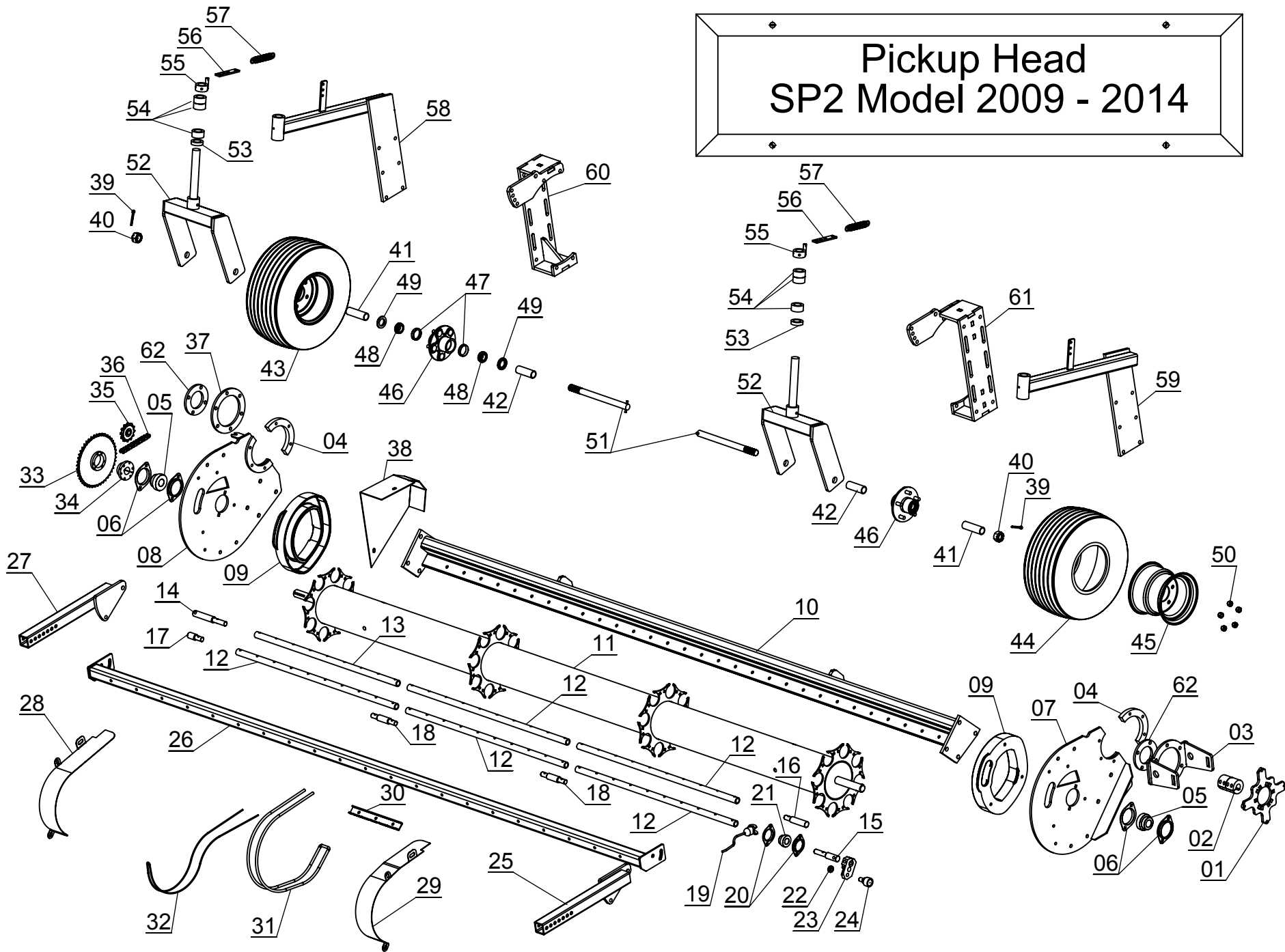
<u>Item</u>	<u>Part No.</u>	<u>Qty</u>	<u>Description</u>
01.	013.659-5	1	Hydraulic Motor Mount
02.	047.333-5	2	Hydraulic Motor Mount, Motor Side
03.	103155	1	Coupler, Split 1” x 35mm
04.	106013	24	Flangette, 52 MST
05.	103095	8	Cam Arm
06.	3.303.0760-2	1	Pickup Head Pipe With Spiders
07.	3.304.1319-4	1	RH Roller Shroud
08.	3.304.1322-6	1	LH Roller Shroud
09.	510599	8	Short Finger Tube Plug
10.	510597	4	LH Long Finger Tube Plug
11.	510598	4	RH Long Finger Tube Plug
12.	900857	8	Finger Tube Coupler
13.	510397	4	Finger Tube, Long 61 3/8”
14.	3.307.0834-2	8	Finger Tube, Intermediate 59 3/8”
15.	3.307.0835-9	4	Finger Tube, Short 57 3/8”
16.	3.901.0027-1	48	Carriage Bolt, M8 x 20
17.	3.901.0094-4	244	Hex Bolt, 5/16” x 1 3/4”
18.	3.901.0131-6	8	Hex Bolt, 7/16” x 3”
19.	3.902.0015-2	244	Hex Nut, 5/16”
20.	3.902.0034-7	8	Nylon Lock Nut, 7/16”
21.	3.902.0008-8	4	Nylon Lock Nut, M8
22.	102015	8	Cam Bearing
23.	102005	24	Bearing, 1” Insert
24.	106052	244	Finger Tine, Soft
25.	3.303.0707-6	1	Cam Track, LH
26.	3.303.0696-3	1	Cam Track, RH
27.	033.165-2	1	Rotor Rod Mount With Side Plates
28.	103024	16	Clip, Rotor Rod 2 Hole
29.	3.308.0617-4	2	Half Hinge Lock
30.	3.308.0618-2	2	Full Hinge Lock
31.	119229	1	Sprocket, 50SDS30
32.	102147	1	Bushing, SDS x 35mm
33.	102100	4	Bearing, 35mm
34.	019.799-7	31	Rotor Rod
35.	052.344-9	2	Bearing Flange, RCJT 35mm
36.	111008		Keystock, 10mm x 8mm (12”)
37.	119060	2	Wheel Mount Spring
38.	940018	2	Wheel Fork Spring Mount
39.	940505	2	Spring Mount Lock Bushing
40.	940507	6	Wheel Mount Spacer 1”

DMP Pickup Head – SP2 120” (2006 – 2008)

Parts List

<u>Item</u>	<u>Part No.</u>	<u>Qty</u>	<u>Description</u>
41.	940506	2	Wheel Mount Spacer 1/2”
42.	510779	1	RH Gauge Wheel Arm Assembly
43.	510780	1	LH Gauge Wheel Arm Assembly
44.	940500	2	Wheel Fork Assembly
45.	3.901.0158-4	16	Hex Bolt, 1/2” x 1 3/4”
46.	041.445-4	1	LH Gauge Wheel Mount
47.	066.766-0	1	RH Gauge Wheel Mount
48.	3.901.0049-9	8	Hex Bolt, 1/2” x 1”
49.	3.901.0156-8	12	Hex Bolt, 1/2” x 1 1/2”
50.	106054	2	Flange, 4 Hole 35mm
51.	108136	2	Gauge Wheel Hub (Includes items 54, 55 & 56)
52.	990080	2	Wheel Axle
53.	990138	2	Bushing, Wheel Spacer (short, 3 9/16”)
54.	119024	4	Seal, Gauge Wheel Hub
55.	102001	4	Bearing, 1” Wheel Cone
56.	102002	4	Bearing, 1” Wheel Cup
57.	990137	2	Bushing, Wheel Spacer (long 4 1/8”)
58.		2	Slotted Hex Nut 1” NF
59.	123019	2	Complete Tire and Wheel (Includes items 60 & 61)
60.	123018	2	Wheel, Steel Rim 8 x 7 (5 on 4 1/2”)
61.	120000	2	Tire (18 x 9.5 – 8)
62.	3.901.0058-8	34	Hex Bolt, 3/8” x 1 1/2”
63.	3.902.0014-4	34	Hex Nut, 3/8”
64.	3.901.0129-2	12	Carriage Bolt, M10 x 25mm
65.	3.902.0052-5	12	Hex Nut, M10
66.	510943	1	Hold Down Rod Mounting Tube
67.	510303	1	Hold Down Tube Mount RH
68.	510302	1	Hold Down Tube Mount LH
69.	118002	21	Hold Down Rod

Pickup Head SP2 Model 2009 - 2014



DMP Pickup Head – SP2 120” (2009 – 2014)

Parts List

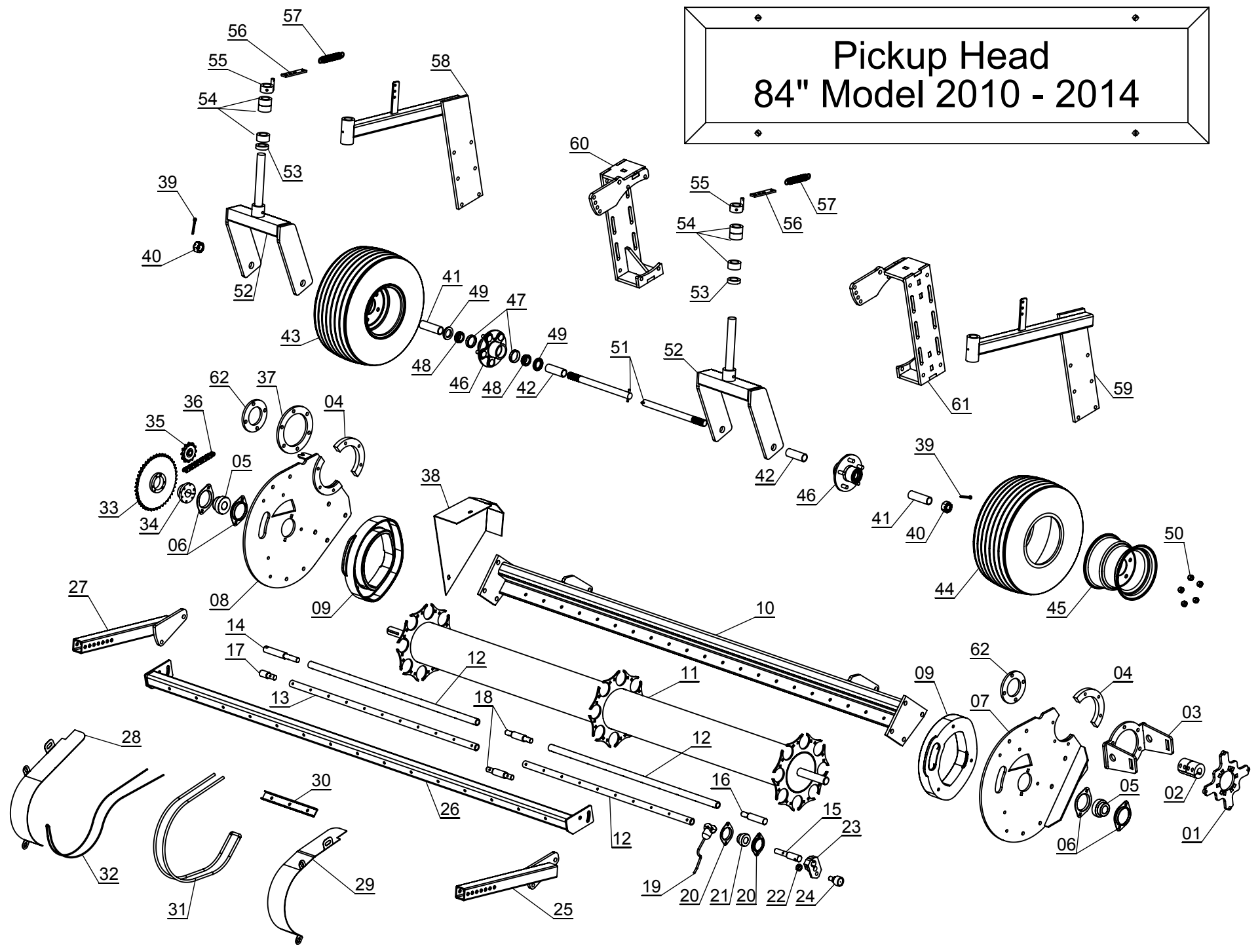
<u>Item</u>	<u>Part No.</u>	<u>Qty</u>	<u>Description</u>
01.	047.333-5	1	Hydraulic Motor Mount, Motor Side
02.	103155	1	Coupler, Split 1” x 35mm
03.	013.659-5	1	Hydraulic Motor Mount
04.	510874	2	Hinge Lock Half Spacer
05.	102060	2	Bearing, 1 1/4 Insert w/Lock Collar
06.	106050	2	Flangette, 72 MST
07.	511119	1	LH Side Plate Assembly
08.	511118	1	RH Side Plate Assembly
09.	103096	2	Cam Track
10.	511112	1	126” Rotor Rod Mount Assembly
11.	905431	1	Pickup Head Tube w/Spiders 120 3/16”
12.	900866	20	Finger Tube, 37 3/8” 10 Holes
13.	900897	4	Finger Tube, 33 3/8” 9 Holes
14.	119134	4	Shaft, Offset RH Long Plug
15.	119137	4	Shaft, Offset LH Short Plug
16.	901420	4	Finger Rod Plug Long
17.	901412	4	Finger Rod Plug Short
18.	900857	16	Coupler, Finger Rod
19.	106052	236	Finger, Rubber Loop Soft
20.	106013	32	Flangette, 52 MST
21.	102005	32	Bearing, 1” Insert w/Lock Collar
22.		8	Nut, 5/8” NF Jam
23.	103095	8	Cam Arm
24.	102015	8	Bearing, Cam
25.	510302	1	Hold Down Rod Mount LH
26.	511122	1	Hold Down Rod Tube Assembly
27.	510303	1	Hold Down Rod Mount RH
28.	510399	1	Shroud, RH Pickup Head
29.	510501	1	Shroud, LH Pickup Head
30.	103023	10	3 Hole Rotor Rod Clip
31.	118015	30	Rotor Rod
32.	118002	21	Hold Down Rod
33.	119252	1	Sprocket, 50 SDS 45
34.	102157	1	Bushing, SDS x 1 1/4”
35.	119010	1	Sprocket, Idler 5013E10
36.	103055	46.25”	Roller Chain, RS50 (per inch)
37.	511120	1	Hinge Lock
38.	511124	1	Pickup Head Chain Guard Assembly
39.		2	1/4” Cotter Pin
40.		2	Nut, 1” NF Slotted Hex

DMP Pickup Head – SP2 120” (2009 – 2014)

Parts List

<u>Item</u>	<u>Part No.</u>	<u>Qty</u>	<u>Description</u>
41.	990137	2	Bushing, Spacer (4 1/8” long)
42.	990138	2	Bushing, Spacer (3 9/16” long)
43.	123019	2	Complete Tire & Wheel (Includes items 44 & 45)
44.	120000	2	Tire, 18 x 9.5 – 8
45.	123018	2	Wheel, Steel 8 x 7 (5 on 4 1/2)
46.	108136	2	Gauge Wheel Hub (Includes items 47, 48, 49 & 50)
47.	102002	4	Bearing, 1” Wheel Cup
48.	102001	4	Bearing, 1” Wheel Cone
49.	119024	4	Seal, Hub
50.		10	Wheel Nut
51.	990080	2	Wheel Axle
52.	940500	2	Wheel Fork Assembly
53.	940506	2	Wheel Mount Spacer (1/2”)
54.	940507	6	Wheel Mount Spacer (1”)
55.	940505	2	Spring Mount Lock Bushing
56.	940018	2	Wheel Fork Spring Mount
57.	119060	2	Wheel Mount Spring
58.	510779	1	RH Gauge Wheel Arm Assembly
59.	510780	1	LH Gauge Wheel Arm Assembly
60.	066.766-0	1	RH Gauge Wheel Mount
61.	041.445-4	1	LH Gauge Wheel Mount
62.	511193	2	Pickup Head Spacer

Pickup Head 84" Model 2010 - 2014



Pickup Head – DMP & DMP-SP 84” (2010 – 2014)

Parts List

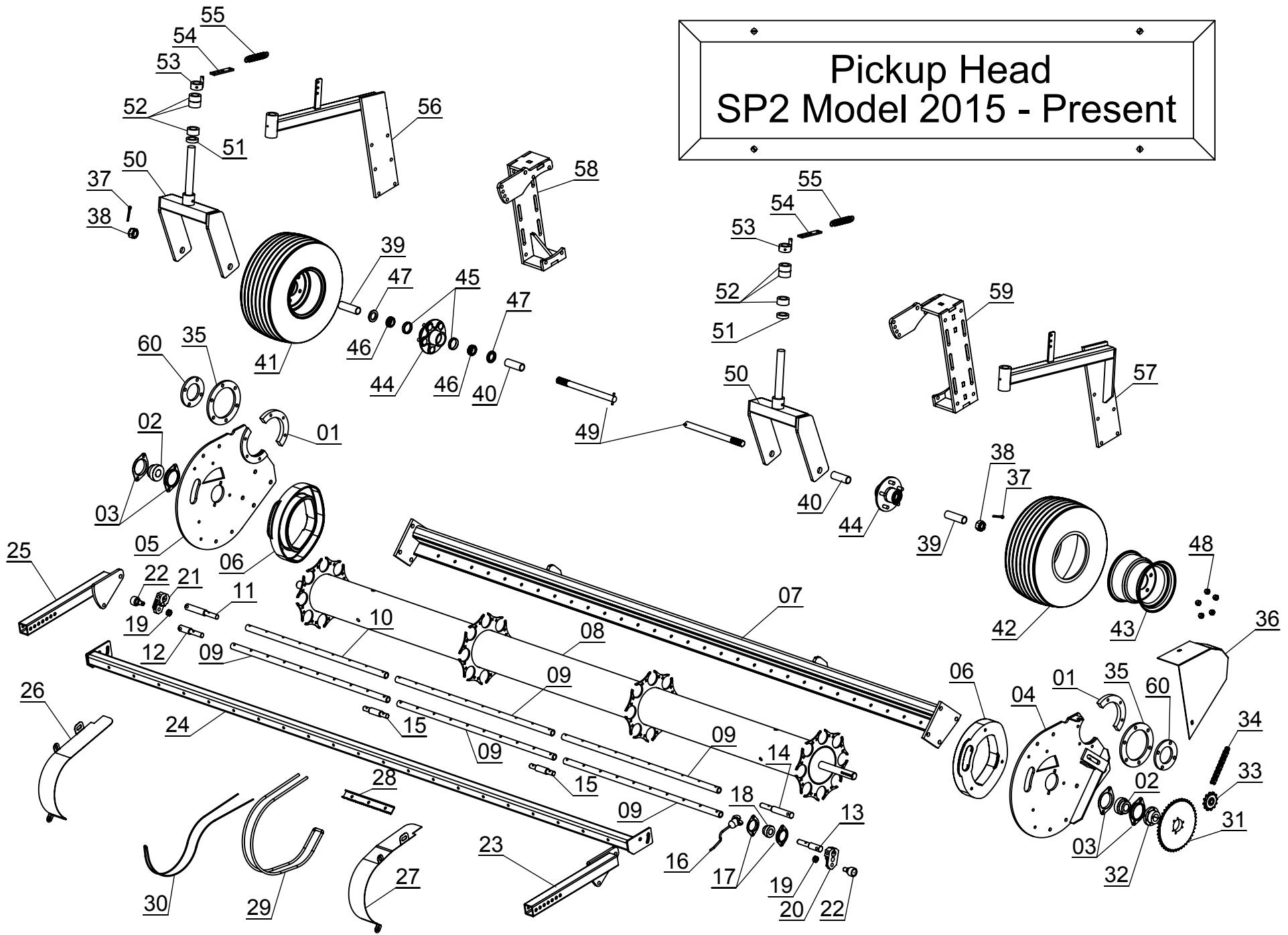
<u>Item</u>	<u>Part No.</u>	<u>Qty</u>	<u>Description</u>
01.	047.333-5	1	Hydraulic Motor Mount, Motor Side
02.	103155	1	Coupler, Split 1” x 35mm
03.	013.659-5	1	Hydraulic Motor Mount
04.	510874	2	Hinge Lock Half Spacer
05.	102060	2	Bearing, 1 1/4 Insert w/Lock Collar
06.	106050	2	Flangette, 72 MST
07.	511119	1	LH Side Plate Assembly
08.	511118	1	RH Side Plate Assembly
09.	103096	2	Cam Track
10.	511207	1	90” Rotor Rod Mount Assembly
11.	940554	1	Pickup Head Tube w/Spiders 84 3/16”
12.	900866	12	Finger Tube, 37 3/8” 10 Holes
13.	900867	4	Finger Tube, 41 3/8” 11 Holes
14.	119134	4	Shaft, Offset RH Long Plug
15.	119137	4	Shaft, Offset LH Short Plug
6.	901420	4	Finger Rod Plug Long
7.	901412	4	Finger Rod Plug Short
18.	900857	8	Coupler, Finger Rod
19.	106052	164	Finger, Rubber Loop Soft
20.	106013	24	Flangette, 52 MST
21.	102005	24	Bearing, 1” Insert w/Lock Collar
22.		8	Nut, 5/8” NF Jam
23.	103095	8	Cam Arm
24.	102015	8	Bearing, Cam
25.	510302	1	Hold Down Rod Mount LH
26.	511210	1	Hold Down Rod Tube Assembly
27.	510303	1	Hold Down Rod Mount RH
28.	510399	1	Shroud, RH Pickup Head
29.	510501	1	Shroud, LH Pickup Head
30.	103023	7	3 Hole Rotor Rod Clip
31.	118015	21	Rotor Rod
32.	118002	15	Hold Down Rod
33.	119252	1	Sprocket, 50 SDS 45
34.	102157	1	Bushing, SDS x 1 1/4”
35.	119010	1	Sprocket, Idler 5013E10
36.	103055	46.25”	Roller Chain, RS50 (per inch)
37.	511120	1	Hinge Lock
38.	511124	1	Pickup Head Chain Guard Assembly
39.		2	1/4” Cotter Pin
40.		2	Nut, 1” NF Slotted Hex

Pickup Head – DMP & DMP-SP 84” (2010 – 2014)

Parts List

<u>Item</u>	<u>Part No.</u>	<u>Qty</u>	<u>Description</u>
41.	990137	2	Bushing, Spacer (4 1/8" long)
42.	990138	2	Bushing, Spacer (3 9/16" long)
43.	123019	2	Complete Tire & Wheel (Includes items 44 & 45)
44.	120000	2	Tire, 18 x 9.5 – 8
45.	123018	2	Wheel, Steel 8 x 7 (5 on 4 1/2)
46.	108136	2	Gauge Wheel Hub (Includes items 47, 48, 49 & 50)
47.	102002	4	Bearing, 1" Wheel Cup
48.	102001	4	Bearing, 1" Wheel Cone
49.	119024	4	Seal, Hub
50.		10	Wheel Nut
51.	990080	2	Wheel Axle
52.	940500	2	Wheel Fork Assembly
53.	940506	2	Wheel Mount Spacer (1/2")
54.	940507	6	Wheel Mount Spacer (1")
55.	940505	2	Spring Mount Lock Bushing
56.	940018	2	Wheel Fork Spring Mount
57.	119060	2	Wheel Mount Spring
58.	510779	1	RH Gauge Wheel Arm Assembly
59.	510780	1	LH Gauge Wheel Arm Assembly
60.	066.766-0	1	RH Gauge Wheel Mount
61.	041.445-4	1	LH Gauge Wheel Mount
62.	511193	2	Pickup Head Spacer

Pickup Head SP2 Model 2015 - Present



DMP Pickup Head – SP2 120” (2015 – Present)

Parts List

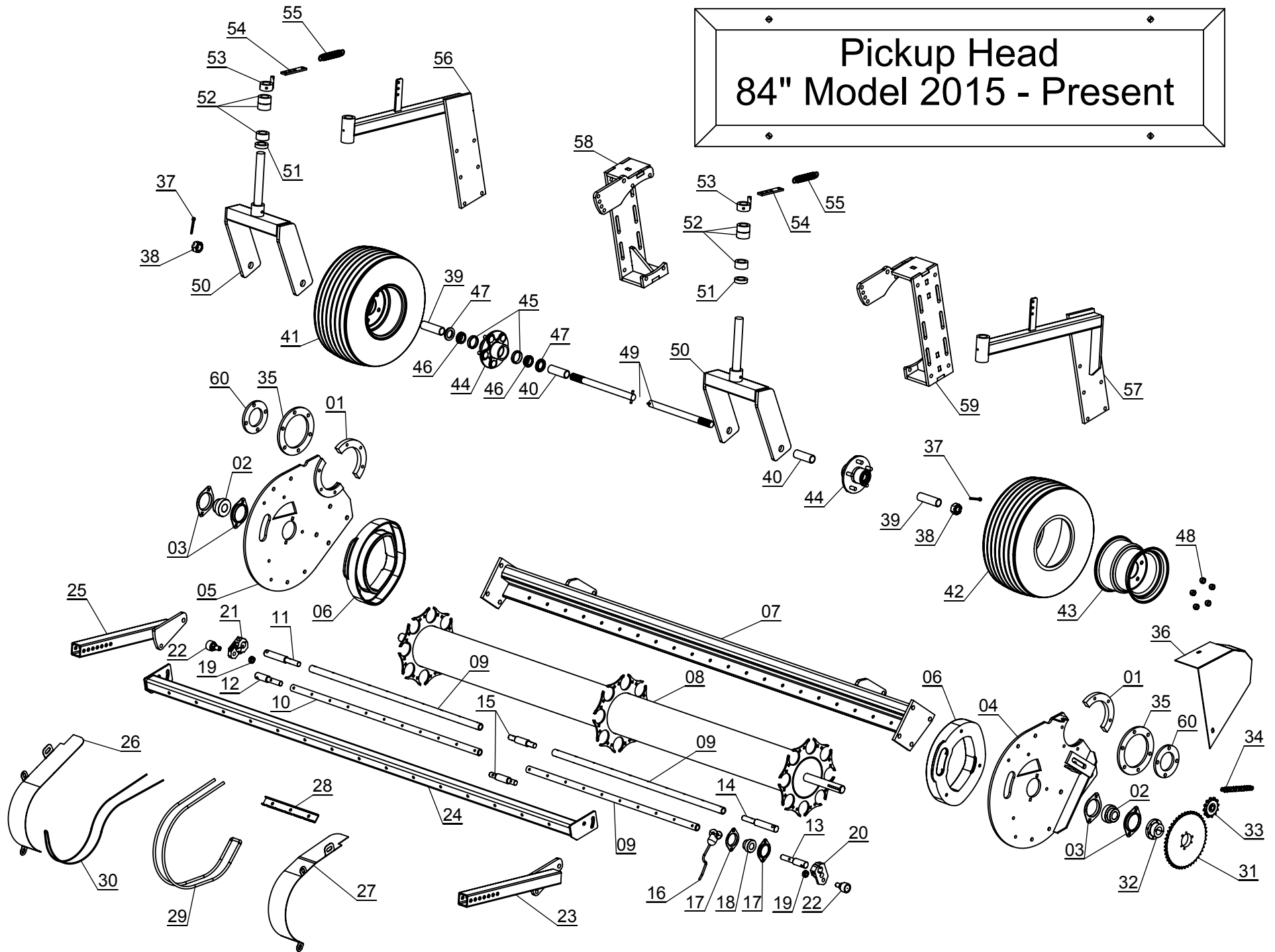
<u>Item</u>	<u>Part No.</u>	<u>Qty</u>	<u>Description</u>
01.	510874	2	Hinge Lock Half Spacer
02.	102060	2	Bearing, 1 1/4 Insert w/Lock Collar
03.	106050	2	Flangette, 72 MST
04.	510871	1	LH Side Plate Assembly
05.	510870	1	RH Side Plate Assembly
06.	103096	2	Cam Track
07.	511112	1	126” Rotor Rod Mount Assembly
08.	905431	1	Pickup Head Tube w/Spiders 120 3/16”
09.	900866	20	Finger Tube, 37 3/8” 10 Holes
10.	900897	4	Finger Tube, 33 3/8” 9 Holes
11.	119134	4	Shaft, Offset RH Long Plug
12.	119136	4	Shaft, Offset RH Short Plug
13.	119137	4	Shaft, Offset LH Short Plug
14.	119135	4	Shaft, Offset LH Long Plug
15.	900857	16	Coupler, Finger Rod
16.	106052	236	Finger, Rubber Loop Soft
17.	106013	32	Flangette, 52 MST
18.	102005	32	Bearing, 1” Insert w/Lock Collar
19.		16	Nut, 5/8” NF Jam
20.	103095-LH	8	Cam Arm LH (threaded)
21.	103095-RH	8	Cam Arm RH (threaded)
22.	102015	16	Bearing, Cam
23.	510302	1	Hold Down Rod Mount LH
24.	511122	1	Hold Down Rod Tube Assembly
25.	510303	1	Hold Down Rod Mount RH
26.	510399	1	Shroud, RH Pickup Head
27.	510501	1	Shroud, LH Pickup Head
28.	103023	10	3 Hole Rotor Rod Clip
29.	118015	30	Rotor Rod
30.	118002	21	Hold Down Rod
31.	119252	1	Sprocket, 50 SDS 45
32.	102157	1	Bushing, SDS x 1 1/4”
33.	119010	1	Sprocket, Idler 5013E10
34.	103055	46.25”	Roller Chain, RS50 (per inch)
35.	510873	2	Hinge Lock
36.	510859	1	Pickup Head Chain Guard Assembly
37.		2	1/4” Cotter Pin
38.		2	Nut, 1” NF Slotted Hex
39.	990137	2	Bushing, Spacer (4 1/8” long)
40.	990138	2	Bushing, Spacer (3 9/16” long)

DMP Pickup Head – SP2 120” (2015 – Present)

Parts List

<u>Item</u>	<u>Part No.</u>	<u>Qty</u>	<u>Description</u>
41.	123019	2	Complete Tire & Wheel (Includes items 42 & 43)
42.	120000	2	Tire, 18 x 9.5 – 8
43.	123018	2	Wheel, Steel 8 x 7 (5 on 4 1/2)
44.	108136	2	Gauge Wheel Hub (Includes items 45, 46, 47 & 48)
45.	102002	4	Bearing, 1” Wheel Cup
46.	102001	4	Bearing, 1” Wheel Cone
47.	119024	4	Seal, Hub
48.		10	Wheel Nut
49.	990080	2	Wheel Axle
50.	940500	2	Wheel Fork Assembly
51.	940506	2	Wheel Mount Spacer (1/2”)
52.	940507	6	Wheel Mount Spacer (1”)
53.	940505	2	Spring Mount Lock Bushing
54.	940018	2	Wheel Fork Spring Mount
55.	119060	2	Wheel Mount Spring
56.	510779	1	RH Gauge Wheel Arm Assembly
57.	510780	1	LH Gauge Wheel Arm Assembly
58.	066.766-0	1	RH Gauge Wheel Mount
59.	041.445-4	1	LH Gauge Wheel Mount
60.	511193	2	Pickup Head Spacer

Pickup Head 84" Model 2015 - Present



DMP Pickup Head – DMP & DMP-SP 84” (2015 – Present)

Parts List

<u>Item</u>	<u>Part No.</u>	<u>Qty</u>	<u>Description</u>
01.	510874	2	Hinge Lock Half Spacer
02.	102060	2	Bearing, 1 1/4 Insert w/Lock Collar
03.	106050	2	Flangette, 72 MST
04.	510871	1	LH Side Plate Assembly
05.	510870	1	RH Side Plate Assembly
06.	103096	2	Cam Track
07.	511207	1	90” Rotor Rod Mount Assembly
08.	940554	1	Pickup Head Tube w/Spiders 84 3/16”
09.	900866	16	Finger Tube, 37 3/8” 10 Holes
10.	900897	4	Finger Tube, 33 3/8” 9 Holes
11.	119134	4	Shaft, Offset RH Long Plug
12.	119136	4	Shaft, Offset RH Short Plug
13.	119137	4	Shaft, Offset LH Short Plug
14.	119135	4	Shaft, Offset LH Long Plug
15.	900857	16	Coupler, Finger Rod
16.	106052	164	Finger, Rubber Loop Soft
17.	106013	24	Flangette, 52 MST
18.	102005	24	Bearing, 1” Insert w/Lock Collar
19.		16	Nut, 5/8” NF Jam
20.	103095-LH	8	Cam Arm LH (threaded)
21.	103095-RH	8	Cam Arm RH (threaded)
22.	102015	16	Bearing, Cam
23.	510302	1	Hold Down Rod Mount LH
24.	511210	1	Hold Down Rod Tube Assembly
25.	510303	1	Hold Down Rod Mount RH
26.	510399	1	Shroud, RH Pickup Head
27.	510501	1	Shroud, LH Pickup Head
28.	103023	7	3 Hole Rotor Rod Clip
29.	118015	21	Rotor Rod
30.	118002	15	Hold Down Rod
31.	119252	1	Sprocket, 50 SDS 45
32.	102157	1	Bushing, SDS x 1 1/4”
33.	119010	1	Sprocket, Idler 5013E10
34.	103055	46.25”	Roller Chain, RS50 (per inch)
35.	510873	2	Hinge Lock
36.	510859	1	Pickup Head Chain Guard Assembly
37.		2	1/4” Cotter Pin
38.		2	Nut, 1” NF Slotted Hex
39.	990137	2	Bushing, Spacer (4 1/8” long)
40.	990138	2	Bushing, Spacer (3 9/16” long)

DMP Pickup Head – DMP & DMP-SP 84” (2015 – Present)

Parts List

<u>Item</u>	<u>Part No.</u>	<u>Qty</u>	<u>Description</u>
41.	123019	2	Complete Tire & Wheel (Includes items 42 & 43)
42.	120000	2	Tire, 18 x 9.5 – 8
43.	123018	2	Wheel, Steel 8 x 7 (5 on 4 1/2)
44.	108136	2	Gauge Wheel Hub (Includes items 45, 46, 47 & 48)
45.	102002	4	Bearing, 1” Wheel Cup
46.	102001	4	Bearing, 1” Wheel Cone
47.	119024	4	Seal, Hub
48.		10	Wheel Nut
49.	990080	2	Wheel Axle
50.	940500	2	Wheel Fork Assembly
51.	940506	2	Wheel Mount Spacer (1/2”)
52.	940507	6	Wheel Mount Spacer (1”)
53.	940505	2	Spring Mount Lock Bushing
54.	940018	2	Wheel Fork Spring Mount
55.	119060	2	Wheel Mount Spring
56.	510779	1	RH Gauge Wheel Arm Assembly
57.	510780	1	LH Gauge Wheel Arm Assembly
58.	066.766-0	1	RH Gauge Wheel Mount
59.	041.445-4	1	LH Gauge Wheel Mount
60.	511193	2	Pickup Head Spacer