

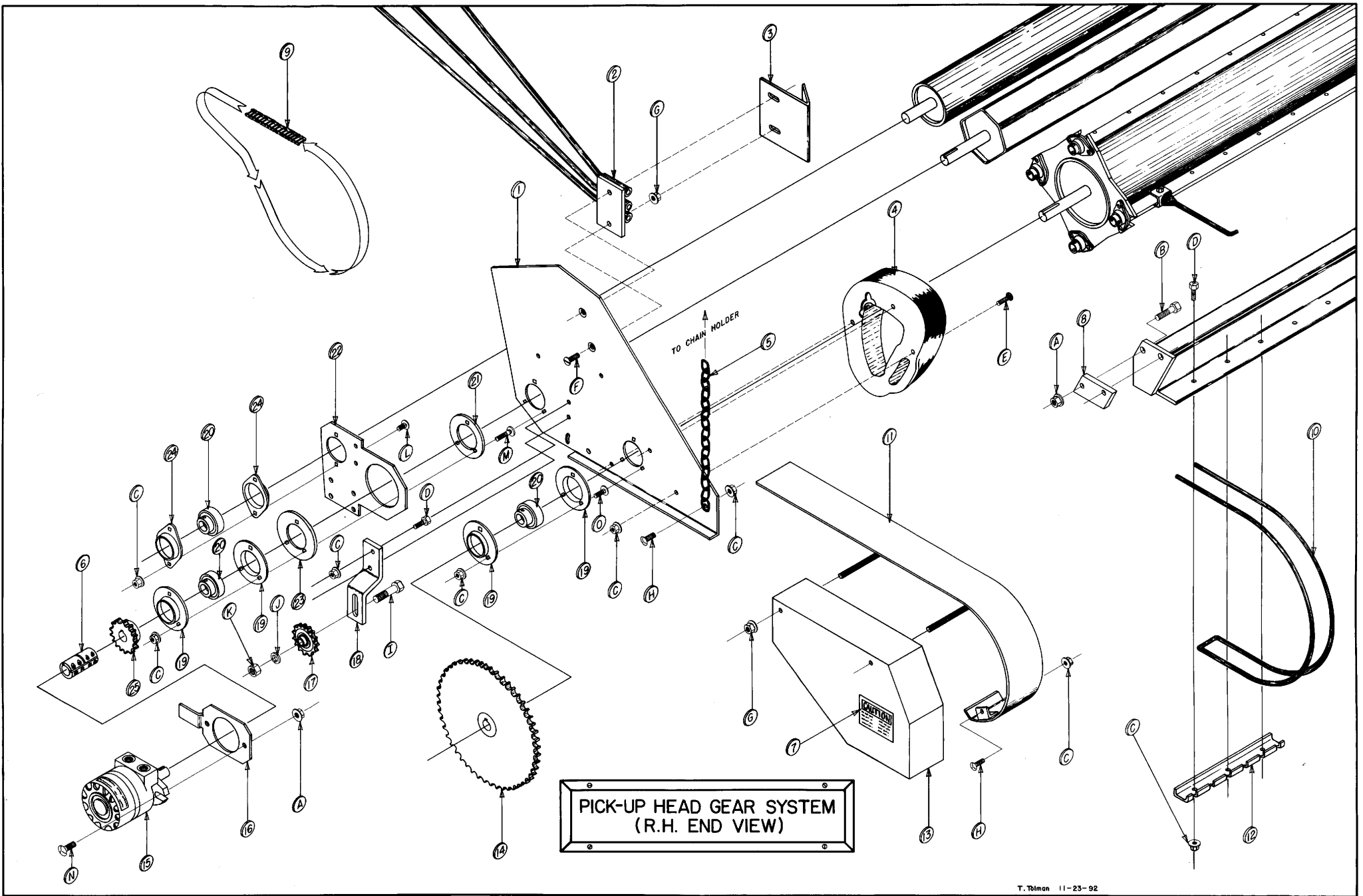
# One Step Rod Cutter Rear Pull

## Pickup Head Gear System (RH End View)

## Section 6

Model Years 1988 - 1998 .....	2-4
Model Years 1998 – 1999 (1" PUH Bearings).....	5-7
Model Years 1998 – Present (1 1/4" PUH Bearing).....	8-10

Return to this page by clicking the upper right corner of any page in this section.



PICK-UP HEAD GEAR SYSTEM  
(R.H. END VIEW)

## PICKUP HEAD GEAR SYSTEM-RH END VIEW (1988–1998)

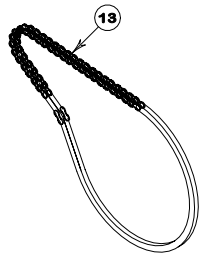
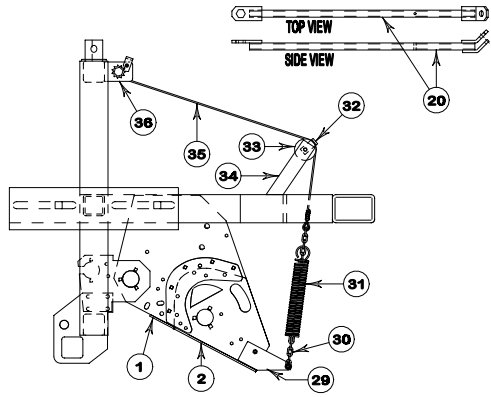
### Parts List

<u>Item No.</u>	<u>Part No.</u>	<u>Description</u>
1.	900019-R	R.H. Mounting End Plate
2.	900280-R	R.H. Windrowing Rods (1988-1995) (48")
2a.	901250	R.H. Windrowing Rods (Staggered Lengths) (1996-Present)
3.	900670	Deflector Rod Cover Plate (R.H.)
4.	103001	Cam, R.H. Track (1988–1996)
4a.	103096	Cam Track (Universal) (1997–Present)
5.	103039	3/16" Coil Proof Chain (38 Links)
6.	103017	Coupler, 1" x 3" Split
7.	112003	Warning Label, Chain Guard
8.	900377	1/2" Rotor Rod Mount Spacer
9.	103012	Chain, 50 Roller
10.	118015	Rotor Rod
11.	900414	R.H. Roller Shroud
12.	103023	Clip, Rotor Rod 3-Hole
13.	900316	R.H. Chain Guard
14.	119008	Sprocket, 50BS 60 x 1"
15.	113023	Hydraulic Motor (MF Series)
16.	900635	Hydraulic Motor Mount
17.	119010	Sprocket, Idler 05013E10
18.	900334	50 Idler Gear Mount Bracket
19.	106004	Flangette, 3-Hole
20.	102005	Bearing, 1" Insert with Lock Collar
21.	900570	Hinge Spacer
22.	900573	Hinge Bracket, Slotted
23.	900571	Hinge Lock
24.	106013	Flangette, 2-Hole
25.	119006	Sprocket, 50BS 15 x 1"

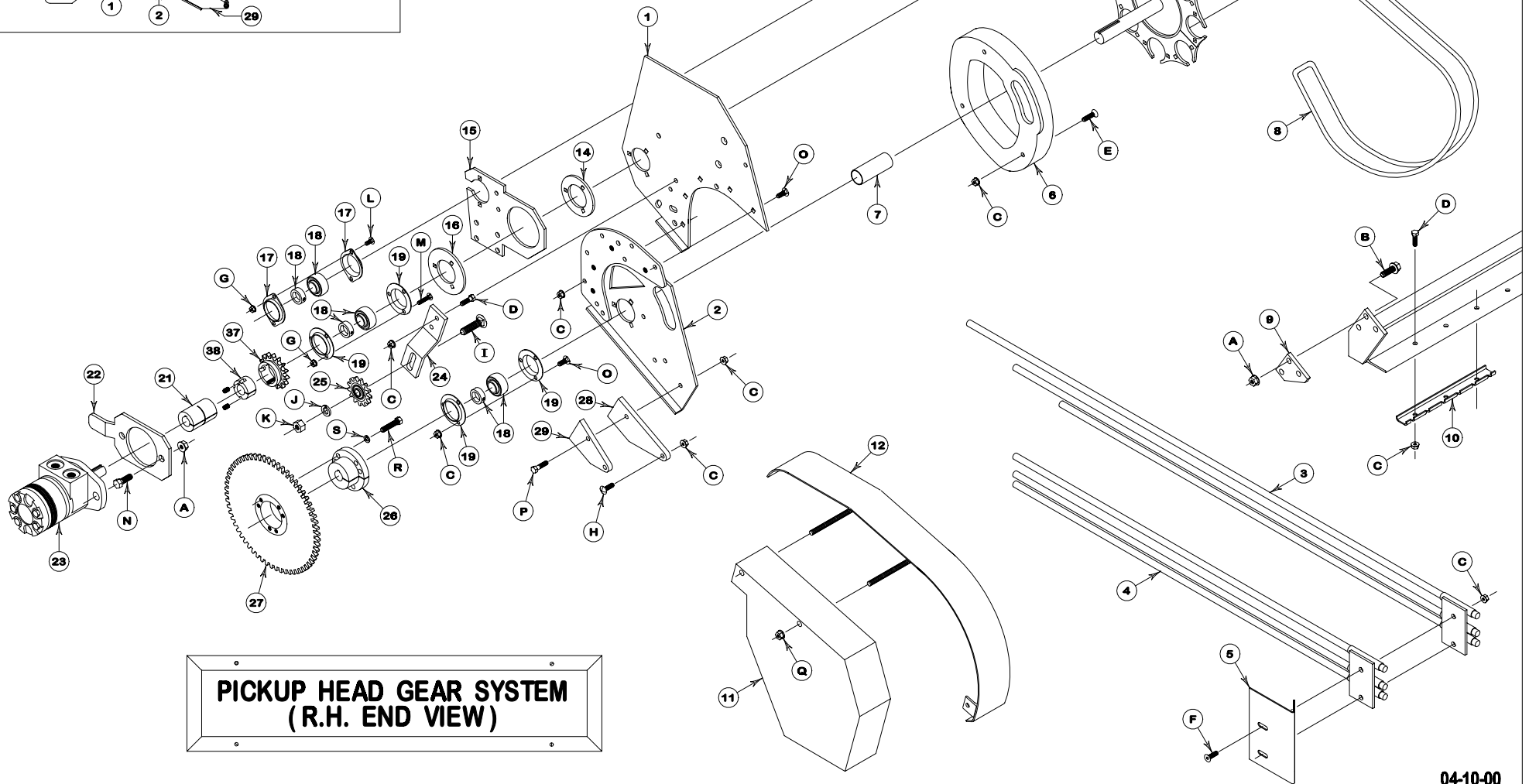
## Hardware List

<u>Item No.</u>	<u>Part No.</u>	<u>Description</u>
A.		1/2" NC Whiz Nut
B.		1/2" x 1 1/2" NC Whiz Head Bolt
C.		3/8" NC Whiz Nut
D.		3/8" x 1 1/4" NC Hex Bolt
E.		3/8" x 1 1/2" NC Flat Head Bolt
F.		3/8" x 1 1/4" NC Flat Head Bolt
G.		7/16" NC Whiz Nut
H.		3/8" x 1 1/4" NC Carriage Bolt
I.		5/8" x 2 1/2" NC Carriage Bolt
J.		5/8" Lock Washer
K.		5/8" NC Hex Nut
L.		5/16" x 3/4" NC Carriage Bolt
M.		5/16" x 1 1/2" NC Carriage Bolt
N.		1/2" x 1 1/2" NC Hex Bolt
O.		3/8" x 1" NC Carriage Bolt

# PICKUP HEAD CABLE LIFT SYSTEM



**R.H. END**



**PICKUP HEAD GEAR SYSTEM  
(R.H. END VIEW)**

## Pickup Head Gear System (R.H. End View) (1" PUH Bearing) (1998–1999)

### Parts List

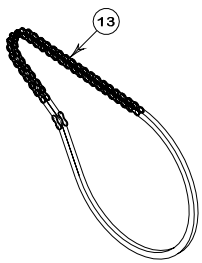
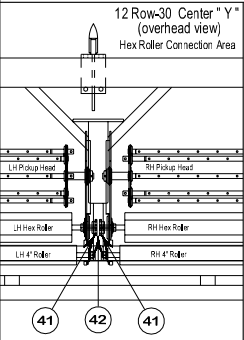
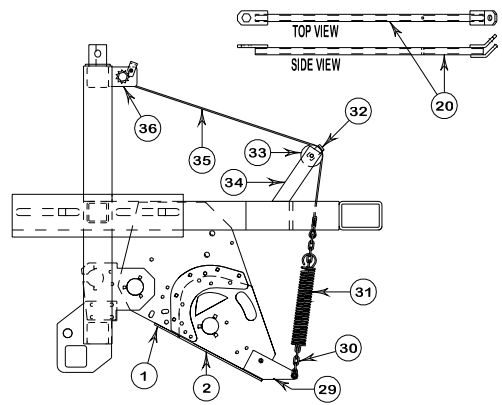
<u>Item No.</u>	<u>Part No.</u>	<u>Description</u>
1.	901405	R.H. Rear Side Plate
2.	901409	R.H. Front Side Plate (1" PUH Bearing)
3.	901250	R.H. Deflector Rods (use with SE Dump or on discharge end)
4.	900280-R	R.H. Deflector Rods (use with Center Dump or non-discharge end)
5.	900670	R.H. Deflector Rod Cover Plate
6.	103096	Cam Track (Universal)
7.	900709	Spacer, Pickup Head (3 <sup>29</sup> / <sub>32</sub> " lg.)
8.	118015	Rod, Rotor
9.	901411	Spacer, Rotor Rod Mount
10.	103023	Clip, Rotor Rod 3-Hole
11.	900316	R.H. Chain Guard (50)
12.	900414	R.H. Roller Shroud
13.	103012	Chain, 50 Roller (80 Pins)
14.	900570	Hinge Spacer
15.	900573	Hinge Bracket, Slotted
16.	900571	Hinge Lock
17.	106013	Flangette, 2-Hole
18.	102005	Bearing, 1" Insert (w/lock collar)
19.	106004	Flangette, 3-Hole
20.	901475	Pickup Head Tool
21.	103017	Coupler, 1" × 3" Split
22.	900635	Hydraulic Motor Mount
23.	113023	Motor, Hydraulic (MF Series)
24.	900334	50 Idler Sprocket Mount Bracket
25.	119010	Sprocket, Idler (05013E10)
26.	119149	Sprocket, 1" Taper Lock Hub (SK Series Replaces 119008)
27.	119148	Sprocket, 50Q60 Taper Lock (SK Series Replaces 119008)
28.	901482	Chain Connection Plate (inside chain case)
29.	901504	Chain Connection Plate (outside chain case)
30.	103039	3/16" Coil Proof Chain (22 links)
31.	119152	Spring, 10" Pickup Head
32.	200267	Pulley Guard
33.	116010	Steel Pulley
34.	901483	Pulley Arm Plate
35.	103101	3/16" Steel Lift Cable (72")
36.	123021	Winch, Cable (Weld-on)
37.	119166	Sprocket, 50BTB15H Taper-lock Replaces 119006
38.	119163	Bushing, 1210 × 1 KW Taper-lock Replaces 119006
Not Shown	901521	Complete R.H. Side Plate Assembly (1" Bearing) (includes: 901405, 901409, (5) 3/8" × 1" carriage bolts & 3/8" whiz nuts)

# Pickup Head Gear System (R.H. End View) (1" PUH Bearing) (1998–1999)

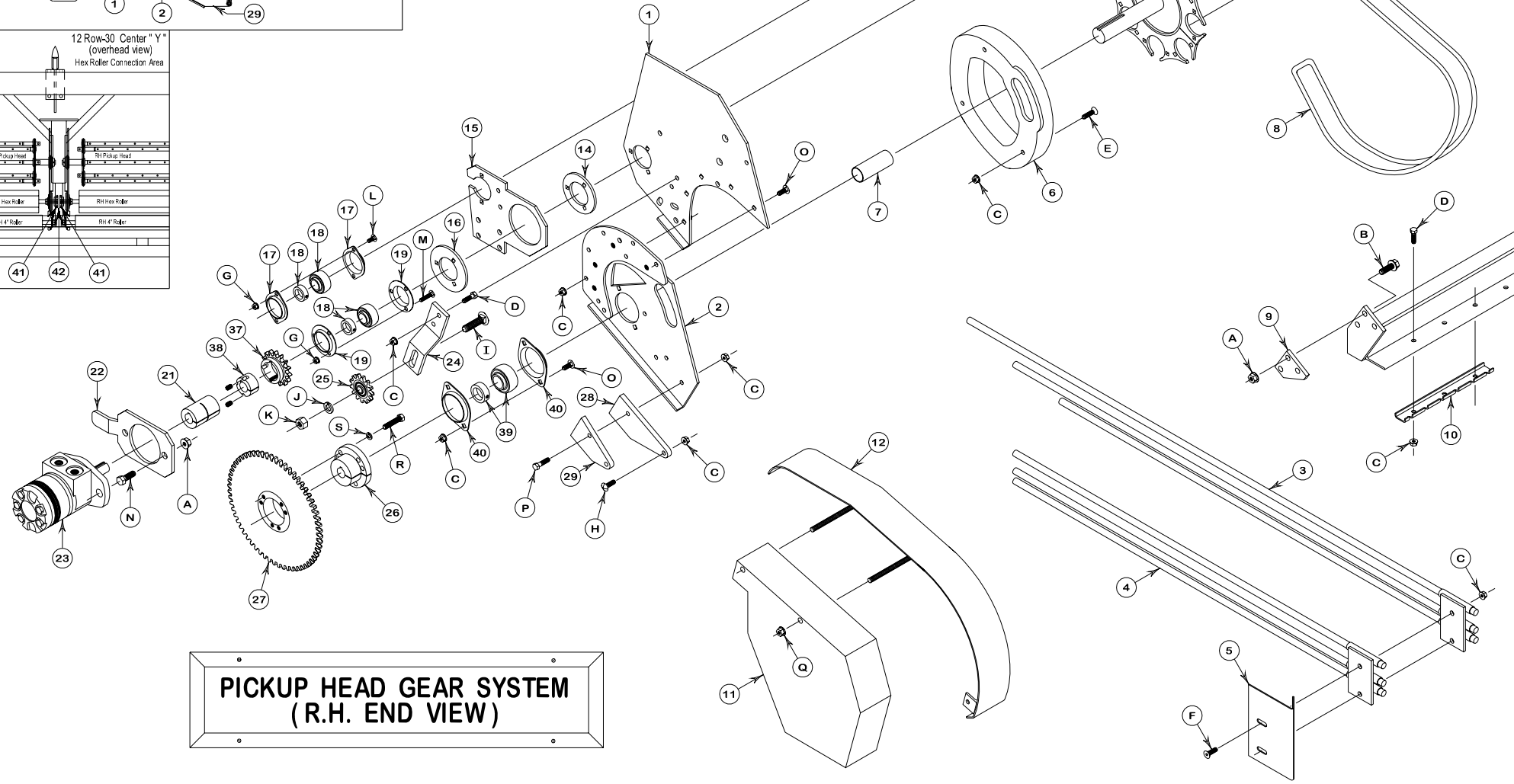
## Hardware List

<u>Item No.</u>	<u>Part No.</u>	<u>Description</u>
A.		1/2" NC Whiz Nut
B.		1/2" x 1 1/2" NC Whiz Head Hex Bolt
C.		3/8" NC Whiz Nut
D.		3/8" x 1 1/4" NC Hex Bolt
E.		3/8" x 1 1/2" NC Flat Head Bolt
F.		3/8" x 1 1/4" NC Flat Head Bolt
G.		5/16" NC Whiz Nut
H.		3/8" x 1 1/4" NC Carriage Bolt
I.		5/8" x 2 1/2" NC Carriage Bolt
J.		5/8" Lock Washer
K.		5/8" NC Hex Nut
L.		5/16" x 3/4" NC Carriage Bolt
M.		5/16" x 1 1/2" NC Carriage Bolt
N.		1/2" x 1 1/2" NC Hex Bolt
O.		3/8" x 1" NC Carriage Bolt
P.		3/8" x 1 1/2" NC Hex Bolt
Q.		7/16" NC Whiz Nut
R.		5/16" x 2" NC Hex Bolt
S.		5/16" Lock Washer

# PICKUP HEAD CABLE LIFT SYSTEM



**R.H. END**



**PICKUP HEAD GEAR SYSTEM  
(R.H. END VIEW)**



## Pickup Head Gear System R.H. End View (1¼" PUH Bearing) 1998–Present

### Parts List

<u>Item No.</u>	<u>Part No.</u>	<u>Description</u>
1.	901405	R.H. Rear Side Plate
2.	901480	R.H. Front Side Plate (1¼" PUH Bearing)
3.	901250	R.H. Deflector Rods (use with SE Dump or on discharge end)
4.	900280-R	R.H. Deflector Rods (use with center dump or non-discharge end)
5.	900670	R.H. Deflector Rod Cover Plate
6.	103096	Cam Track ( Universal)
7.	901484	Spacer, Pickup Head (3 <sup>29</sup> / <sub>32</sub> " lg.)
8.	118015	Rod, Rotor
9.	901411	Spacer, Rotor Rod Mount
10.	103023	Clip, Rotor Rod 3-Hole
11.	900316	R.H. Chain Guard (50)
12.	900414	R.H. Roller Shroud
13.	103012	Chain, 50 Roller (80 pins)
14.	900570	Hinge Spacer
15.	900573	Hinge Bracket, Slotted
16.	900571	Hinge Lock
17.	106013	Flangette, 2-Hole
18.	102005	Bearing, 1" Insert (w/lock collar)
19.	106004	Flangette, 3-Hole
20.	901475	Pickup Head Tool
21.	103017	Coupler, 1" × 3" Split
22.	900635	Hydraulic Motor Mount
23.	113023	Motor, Hydraulic (MF Series)
24.	900334	50 Idler Sprocket Mount Bracket
25.	119010	Sprocket, Idler (05013E10)
26.	119159	Sprocket, 1¼" Taper Lock Hub (SK Series Replaces 119008)
27.	119148	Sprocket, 50Q60 Taper Lock (SK Series Replaces 119008)
28.	901482	Chain Connection Plate (inside chain case)
29.	901504	Chain Connection Plate (outside chain case)
30.	103039	3/16" Coil Proof Chain (22 links)
31.	119152	Spring, 10" pickup head
32.	200267	Pulley Guard
33.	116010	Steel Pulley
34.	901483	Pulley Arm Plate
35.	103101	3/16" Steel Lift Cable (72")
36.	123021	Winch, Cable (Weld-on)
37.	119166	Sprocket, 50BTB15H Taper-lock Replaces 119006
38.	119163	Bushing, 1210 × 1 KW Taper-lock Replaces 119006
39.	102060	Bearing, 1¼" Insert (w/Lock Collar)
40.	106050	Flangette, 2 Hole (72 MST)
41.	119006	Sprocket, 50BS15 x 1" (used to couple LH & RH Hex Roller)
42.	103141	Chain, 50-2 Double Roller (used to couple LH & RH Hex Roller)

## Pickup Head Gear System R.H. End View (1¼" PUH Bearing) 1998–Present

### Parts List

<u>Item No.</u>	<u>Part No.</u>	<u>Description</u>
Not Shown	901523	Complete R.H. Side Plate Assembly (1¼" Bearing) (includes: 901405, 901480, (5) ¾" × 1" Carriage Bolts & ¾" Whiz Nuts)

### Hardware List

<u>Item No.</u>	<u>Part No.</u>	<u>Description</u>
A.		½" NC Whiz Nut
B.		½" × 1½" NC Whiz Head Hex Bolt
C.		¾" NC Whiz Nut
D.		¾" × 1¼" NC Hex Bolt
E.		¾" × 1½" NC Flat Head Bolt
F.		¾" × 1¼" NC Flat Head Bolt
G.		5/16" NC Whiz Nut
H.		¾" × 1¼" NC Carriage Bolt
I.		5/8" × 2½" NC Carriage Bolt
J.		5/8" Lock Washer
K.		5/8" NC Hex Nut
L.		5/16" × ¾" NC Carriage Bolt
M.		5/16" × 1½" NC Carriage Bolt
N.		½" × 1½" NC Hex Bolt
O.		¾" × 1" NC Carriage Bolt
P.		¾" × 1½" NC Hex Bolt
Q.		7/16" NC Whiz Nut
R.		5/16" × 2" NC Hex Bolt
S.		5/16" Lock Washer