

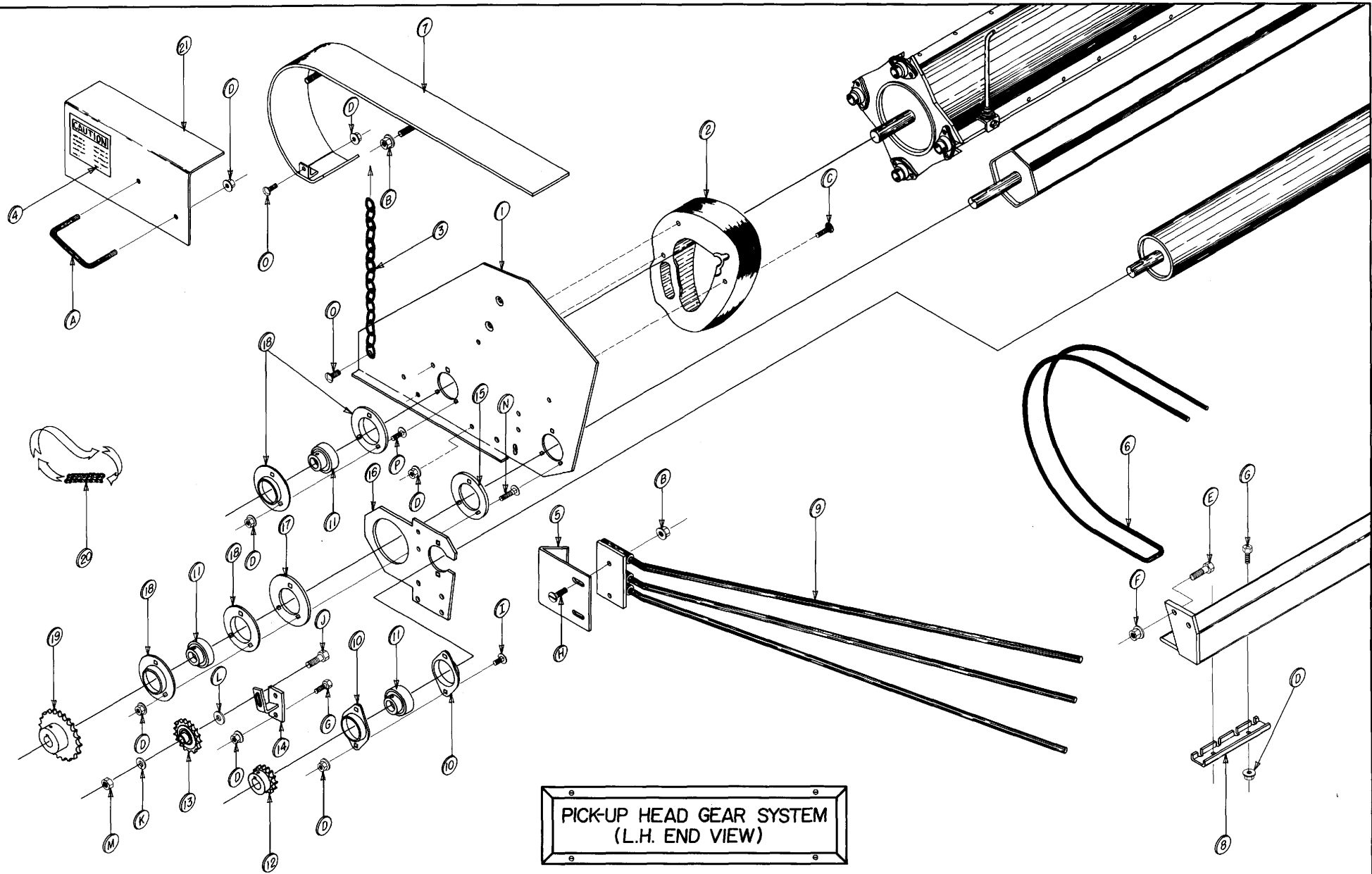
One Step Rod Cutter Rear Pull

Pickup Head Gear System (LH End View)

Section 7

Model Years 1988 - 1998	2-3
Model Years 1998 – 1999 (1" PUH Bearings).....	4-6
Model Years 1998 – 2012 (1 1/4" PUH Bearing)	7-9
Model Years 2013 – Present (1 1/4" PUH Bearing).....	10-12

Return to this page by clicking the upper right corner of any page in this section.



PICKUP HEAD GEAR SYSTEM—L.H. END VIEW (1988–1998)

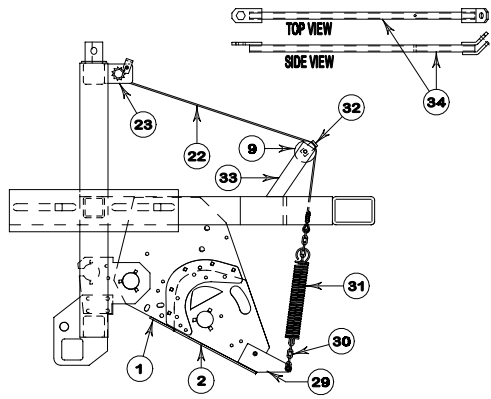
Parts List

<u>Item No.</u>	<u>Part No.</u>	<u>Description</u>
1.	900019-L	L.H. Mounting End Plate
2.	103000	Cam, L.H. Track (1988–1996)
2a.	103096	Cam Track (Universal) (1997–Present)
3.	103039	3/16" Coil Proof Chain (38 Links)
4.	112003	Label, Chain Guard Warning
5.	901503	Deflector Rod Cover Plate (L.H.)
6.	118016	Rotor Rod (Half)
7.	900413	Roller Shroud, L.H.
8.	103024	Clip, Rotor Rod 2-Hole
9.	900280-L	L.H. Deflector Rods (48")
10.	106013	Flangett, 2-Hole
11.	102005	Bearing, 1" insert with Lock Collar
12.	119004	Sprocket, 40BS 15 × 1"
13.	119005	Sprocket, Idler 04017308
14.	900137	40 Idler Gear Mount Bracket
15.	900570	Hinge Spacer
16.	900573	Hinge Bracket—Slotted
17.	900571	Hinge Lock
18.	106004	Flangett, 3-Hole
19.	119003	Sprocket, 40BS 26 × 1"
20.	103007	Chain, Length 38 Links—40 Roller
21.	900320	L.H. Chain Guard

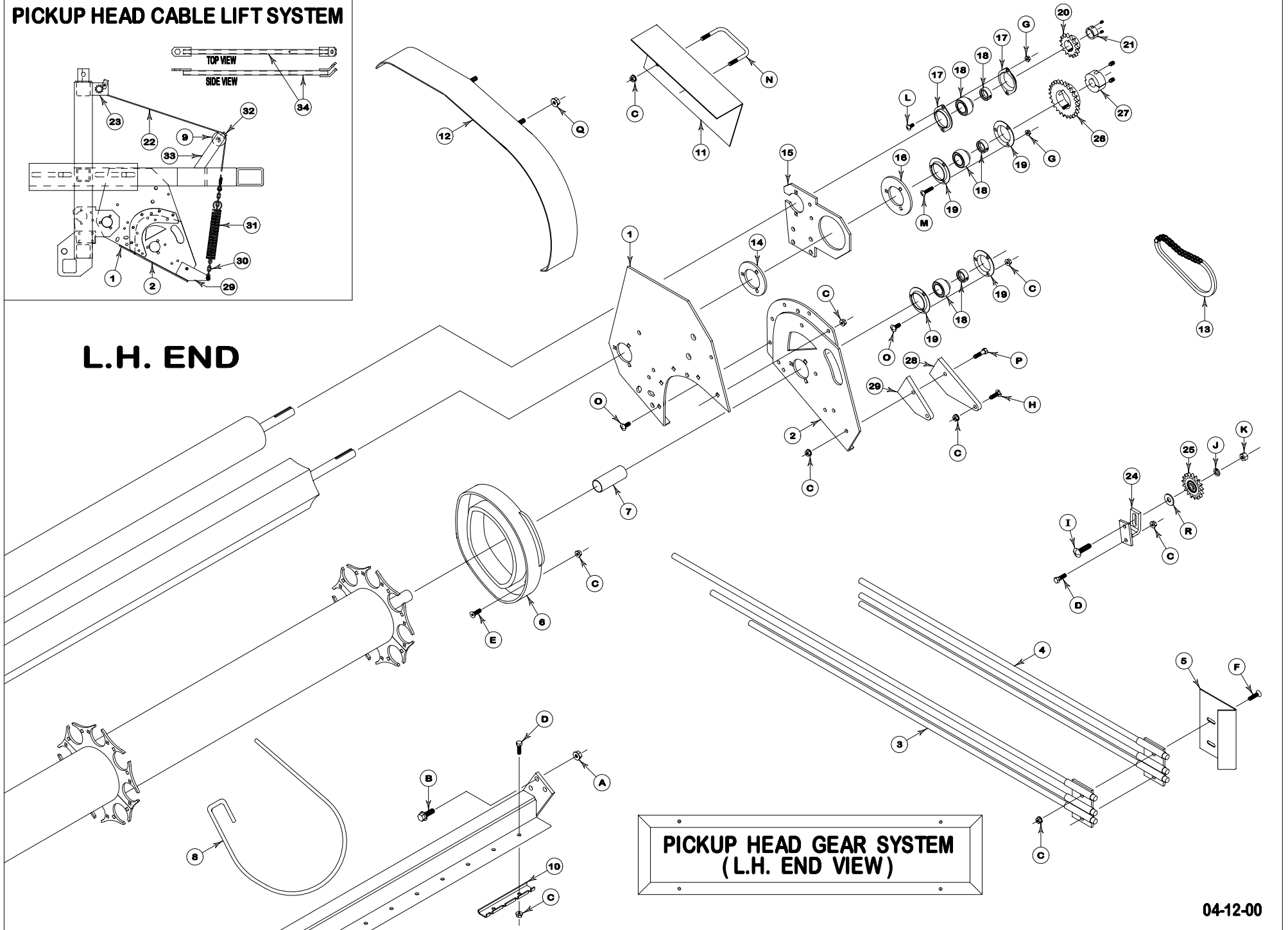
Hardware List

<u>Item No.</u>	<u>Part No.</u>	<u>Description</u>
A.	121007	U-bolt, Type H, 3/8" × 4" Wide × 3" Long
B.		7/16" NC Whiz Nut
C.		3/8" × 1½" NC Flat Head Bolt
D.		3/8" NC Whiz Nut
E.		½" × 1½" Whiz Head Bolt
F.		½" NC Whiz Nut
G.		3/8" × 1¼" NC Hex Bolt
H.		3/8" × 1¼" NC Flat Head Bolt
I.		5/16" × ¾" NC Carriage Bolt
J.		½" × 2" NC Carriage Bolt
K.		½" Lock Washer
L.		½" Flat Washer
M.		½" NC Hex Nut
N.		5/16" × 1½" NC Carriage Bolt
O.		3/8" × 1¼" NC Carriage Bolt
P.		3/8" × 1" NC Carriage Bolt

PICKUP HEAD CABLE LIFT SYSTEM



L.H. END



PICKUP HEAD GEAR SYSTEM
(L.H. END VIEW)

Pickup Head Gear System (L.H. End View) (1" PUH Bearing) (1998-1999)

Parts List

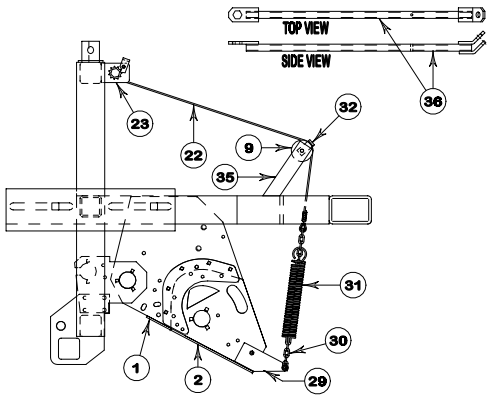
<u>Item No.</u>	<u>Part No.</u>	<u>Description</u>
1.	901406	L.H. Rear Side Plate
2.	901410	L.H. Front Side Plate (1" PUH Bearing)
3.	901251	L.H. Deflector Rods (use with SE Dump or on discharge end)
4.	900280-L	L.H. Deflector Rods (use with center dump or non-discharge end)
5.	901503	L.H. Deflector Rod Cover Plate
6.	103096	Cam Track (Universal)
7.	900709	Spacer, Pickup Head (3 ²⁹ / ₃₂ " lg.)
8.	118016	Rod, Rotor (Half)
9.	116010	Steel pulley
10.	103024	Clip, Rotor Rod 2-Hole
11.	900320	L.H. Chain Guard (40)
12.	900413	L.H. Roller Shroud
13.	103105	Chain, 40 Roller (45 Pitches)
14.	900570	Hinge Spacer
15.	900573	Hinge Bracket, Slotted
16.	900571	Hinge Lock
17.	106013	Flangette, 2-Hole
18.	102005	Bearing, 1" Insert (w/lock collar)
19.	106004	Flangette, 3-Hole
20.	119170	Sprocket, 40BTB17H Taper-lock (Sprocket Only)Replaces 119165
21.	119163	Bushing, 1210 x 1 KW Taper-lock (Bushing Only)Replaces 119162
22.	103101	3/16" Steel Lift Cable (72")
23.	123021	Winch, Cable (Weld-on)
24.	900137-01	40 Idler Sprocket Mount Bracket (Replaces 900137)
25.	119005	Sprocket, Idler (04017308)
26.	119169	Sprocket, 40BTB30H Taper-lock (Sprocket Only) Replaces 119167
27.	119164	Bushing, 1610 x 1 KW Taper-lock (Bushing Only) Replaces 119003
28.	901482	Chain Connection Plate (inside chain case)
29.	901504	Chain Connection Plate (outside chain case)
30.	103039	3/16" Coil Proof Chain (22 links)
31.	119152	Spring, 10" pickup head
32.	200267	Pulley Guard
33.	901483	Pulley Arm Plate
34.	901475	Pickup Head Tool
Not Shown	901522	Complete L.H. Side Plate Assembly (1" Bearing) (Includes: 901406, 901410, (5) 3/8" x 1" carriage bolts & 3/8" whiz nuts)

Pickup Head Gear System (L.H. End View) (1" PUH Bearing) (1998-1999)

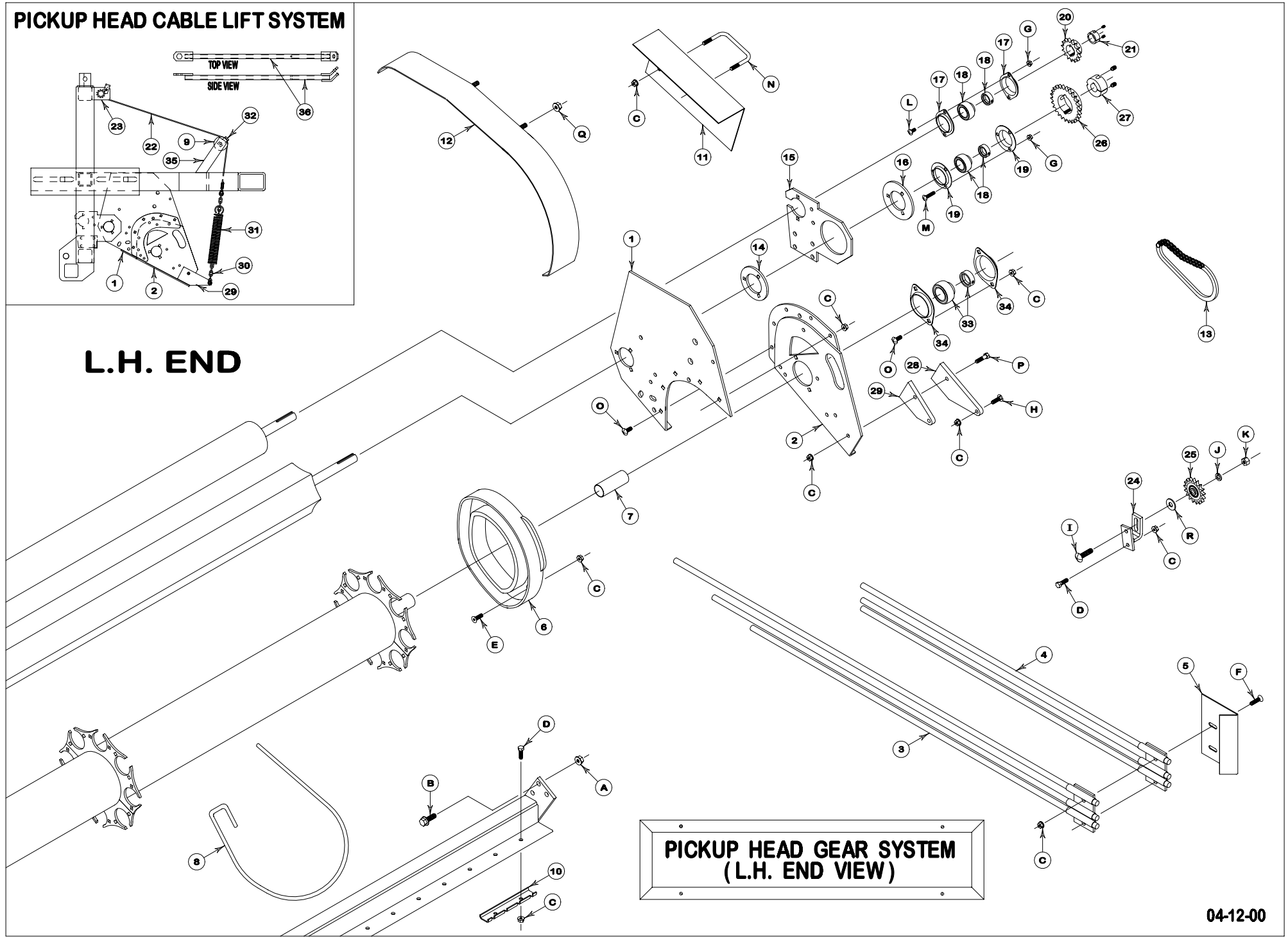
Hardware List

<u>Item No.</u>	<u>Part No.</u>	<u>Description</u>
A.		1/2" NC Whiz Nut
B.		1/2" x 1 1/2" NC Whiz Head Hex Bolt
C.		3/8" NC Whiz Nut
D.		3/8" x 1 1/4" NC Hex Bolt
E.		3/8" x 1 1/2" NC Flat Head Bolt
F.		3/8" x 1 1/4" NC Flat Head Bolt
G.		5/16" NC Whiz Nut
H.		3/8" x 1 1/4" NC Carriage Bolt
I.		1/2" x 2" NC Carriage Bolt
J.		1/2" Lock Washer
K.		1/2" NC Hex Nut
L.		5/16" x 3/4" NC Carriage Bolt
M.		5/16" x 1 1/2" NC Carriage Bolt
N.	121007	U-Bolt, Type H (3/8" x 4" Wide x 3" Long)
O.		3/8" x 1" NC Carriage Bolt
P.		3/8" x 1 1/2" NC Hex Bolt
Q.		7/16" NC Whiz Nut
R.		1/2" Flat Washer

PICKUP HEAD CABLE LIFT SYSTEM



L.H. END



PICKUP HEAD GEAR SYSTEM
(L.H. END VIEW)

Pickup Head Gear System L.H. End View (1¼" PUH Bearing)

1998–2012

Parts List

<u>Item No.</u>	<u>Part No.</u>	<u>Description</u>
1.	901406	L.H. Rear Side Plate
2.	901481	L.H. Front Side Plate (1¼" PUH Bearing)
3.	901251	L.H. Deflector Rods (use with SE Dump or on discharge end)
4.	900280-L	L.H. Deflector Rods (use with center dump or non-discharge end)
5.	901503	L.H. Deflector Rod Cover Plate
6.	103096	Cam Track (Universal)
7.	901484	Spacer, Pickup Head (3 ²⁹ / ₃₂ " lg.)
8.	118016	Rod, Rotor (Half)
9.	116010	Steel Pulley
10.	103024	Clip, Rotor Rod 2-Hole
11.	900320	L.H. Chain Guard (40)
12.	900413	L.H. Roller Shroud
13.	103105	Chain, 40 Roller (45 Pitches)
14.	900570	Hinge Spacer
15.	900573	Hinge Bracket, Slotted
16.	900571	Hinge Lock
17.	106013	Flangette, 2-Hole
18.	102005	Bearing, 1" Insert (w/lock collar)
19.	106004	Flangette, 3-Hole
20.	119170	Sprocket, 40BTB17H Taper-lock (Sprocket Only) Replaces 119165
21.	119163	Bushing, 1210 × 1 KW Taper-lock (Bushing Only) Replaces 119162
22.	103101	3/16" Steel Lift Cable (72")
23.	123021	Winch, Cable (Weld-on)
24.	900137-01	40 Idler Sprocket Mount Bracket(Replaces 900137)
25.	119005	Sprocket, Idler (04017E08)
26.	119169	Sprocket, 40BTB30H Taper-lock (Sprocket Only) Replaces 119167
27.	119164	Bushing, 1610 × 1 KW Taper-lock (Bushing Only) Replaces 119003
28.	901482	Chain Connection Plate (inside chain case)
29.	901504	Chain Connection Plate (outside chain case)
30.	103039	3/16" Coil Proof Chain (22 links)
31.	119152	Spring, 10" pickup head
32.	200267	Pulley Guard
33.	102060	Bearing, 1¼" Insert (w/lock collar)
34.	106050	Flangette, 2-Hole (72 MST)
35.	901483	Pulley Arm Plate
36.	901475	Pickup Head Tool
Not Shown	901524	Complete L.H. Side Plate Assembly (1¼" Bearing) (Includes: 901406, 901481, (5) 3/8" × 1" Carriage Bolts & 3/8" whiz nuts)

Pickup Head Gear System L.H. End View (1-1/4" PUH Bearing)

1998–2012

Hardware List

<u>Item No.</u>	<u>Part No.</u>	<u>Description</u>
A.		1/2" NC Whiz Nut
B.		1/2" x 1 1/2" NC Whiz Head Hex Bolt
C.		3/8" NC Whiz Nut
D.		3/8" x 1 1/4" NC Hex Bolt
E.		3/8" x 1 1/2" NC Flat Head Bolt
F.		3/8" x 1 1/4" NC Flat Head Bolt
G.		5/16" NC Whiz Nut
H.		3/8" x 1 1/4" NC Carriage Bolt
I.		1/2" x 2" NC Carriage Bolt
J.		1/2" Lock Washer
K.		1/2" NC Hex Nut
L.		5/16" x 3/4" NC Carriage Bolt
M.		5/16" x 1 1/2" NC Carriage Bolt
N.	121007	U-Bolt, Type H (3/8" x 4" Wide x 3" Long)
O.		3/8" x 1" NC Carriage Bolt
P.		3/8" x 1 1/2" NC Hex Bolt
Q.		7/16" NC Whiz Nut
R.		1/2" Flat Washer

Pickup Head Gear System L.H. End View (1¼" PUH Bearing)

2013–Present

Parts List

<u>Item No.</u>	<u>Part No.</u>	<u>Description</u>
1.	901406	L.H. Rear Side Plate
2.	901481	L.H. Front Side Plate (1¼" PUH Bearing)
3.	901251	L.H. Deflector Rods (use with SE Dump or on discharge end)
4.	900280-L	L.H. Deflector Rods (use with center dump or non-discharge end)
5.	901503	L.H. Deflector Rod Cover Plate
6.	103096	Cam Track (Universal)
7.	901484	Spacer, Pickup Head (3 ²⁹ / ₃₂ " lg.)
8.	118016	Rod, Rotor (Half)
9.	116010	Steel Pulley
10.	103024	Clip, Rotor Rod 2-Hole
11.	900320	L.H. Chain Guard (40)
12.	900413	L.H. Roller Shroud
13.	103199	Chain, 40 Roller (40 Pins)
14.	900570	Hinge Spacer
15.	900573	Hinge Bracket, Slotted
16.	900571	Hinge Lock
17.	106013	Flangette, 2-Hole
18.	102005	Bearing, 1" Insert (w/lock collar)
19.	106004	Flangette, 3-Hole
20.	119170	Sprocket, 40BTB17H Taper-lock
21.	119163	Bushing, 1210 × 1 KW Taper-lock
22.	103101	3/16" Steel Lift Cable (72")
23.	123021	Winch, Cable (Weld-on)
24.	900137-B	40 Idler Sprocket Mount Bracket
25.	119005	Sprocket, Idler (04017E08)
26.	901482	Chain Connection Plate (inside chain case)
27.	901504	Chain Connection Plate (outside chain case)
28.	103039	3/16" Coil Proof Chain (22 links)
29.	119152	Spring, 10" pickup head
30.	200267	Pulley Guard
31.	102060	Bearing, 1¼" Insert (w/lock collar)
32.	106050	Flangette, 2-Hole (72 MST)
33.	901483	Pulley Arm Plate (weld on)
34.	901475	Pickup Head Tool
35.	901524	Complete L.H. Side Plate Assembly (Includes items 1 & 2)

Pickup Head Gear System L.H. End View (1-1/4" PUH Bearing)

2013–Present

Hardware List

<u>Item No.</u>	<u>Part No.</u>	<u>Description</u>
A.		1/2" NC Whiz Nut
B.		1/2" x 1 1/2" NC Whiz Head Hex Bolt
C.		3/8" NC Whiz Nut
D.		3/8" x 1 1/4" NC Hex Bolt
E.		3/8" x 1 1/2" NC Flat Head Bolt
F.		3/8" x 1 1/4" NC Flat Head Bolt
G.		5/16" NC Whiz Nut
H.		3/8" x 1 1/4" NC Carriage Bolt
I.		1/2" x 2" NC Carriage Bolt
J.		1/2" Lock Washer
K.		1/2" NC Hex Nut
L.		5/16" x 3/4" NC Carriage Bolt
M.		5/16" x 1 1/2" NC Carriage Bolt
N.	121007	U-Bolt, Type H (3/8" x 4" Wide x 3" Long)
O.		3/8" x 1" NC Carriage Bolt
P.		3/8" x 1 1/2" NC Hex Bolt
Q.		7/16" NC Whiz Nut
R.		1/2" Flat Washer