

Divider Systems

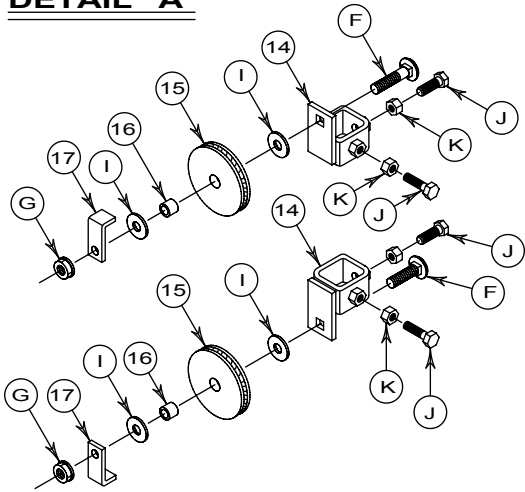
Parallel Lift System (PLS 8000)

Section 5

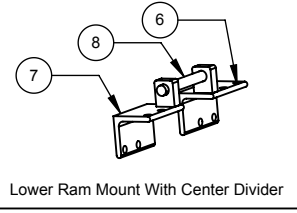
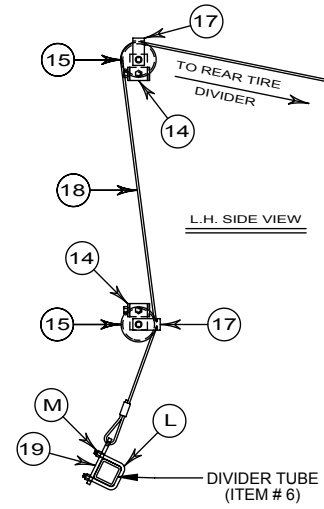
| | |
|--|-------|
| Parallel Lift System (1997 – Present)..... | 2-3 |
| Case IH MX (180 – 240 Series) | 4-5 |
| Case IH MX (140 – 170 Series) 8 Row 22 with 34” or Larger Front Rims | 6-7 |
| Caterpillar Track Divider System (MT 755 Series)..... | 8-9 |
| John Deere Track Divider System (8000T / 8020T Series) | 10-11 |

Return to this page by clicking the upper right corner of any page in this section.

DETAIL "A"



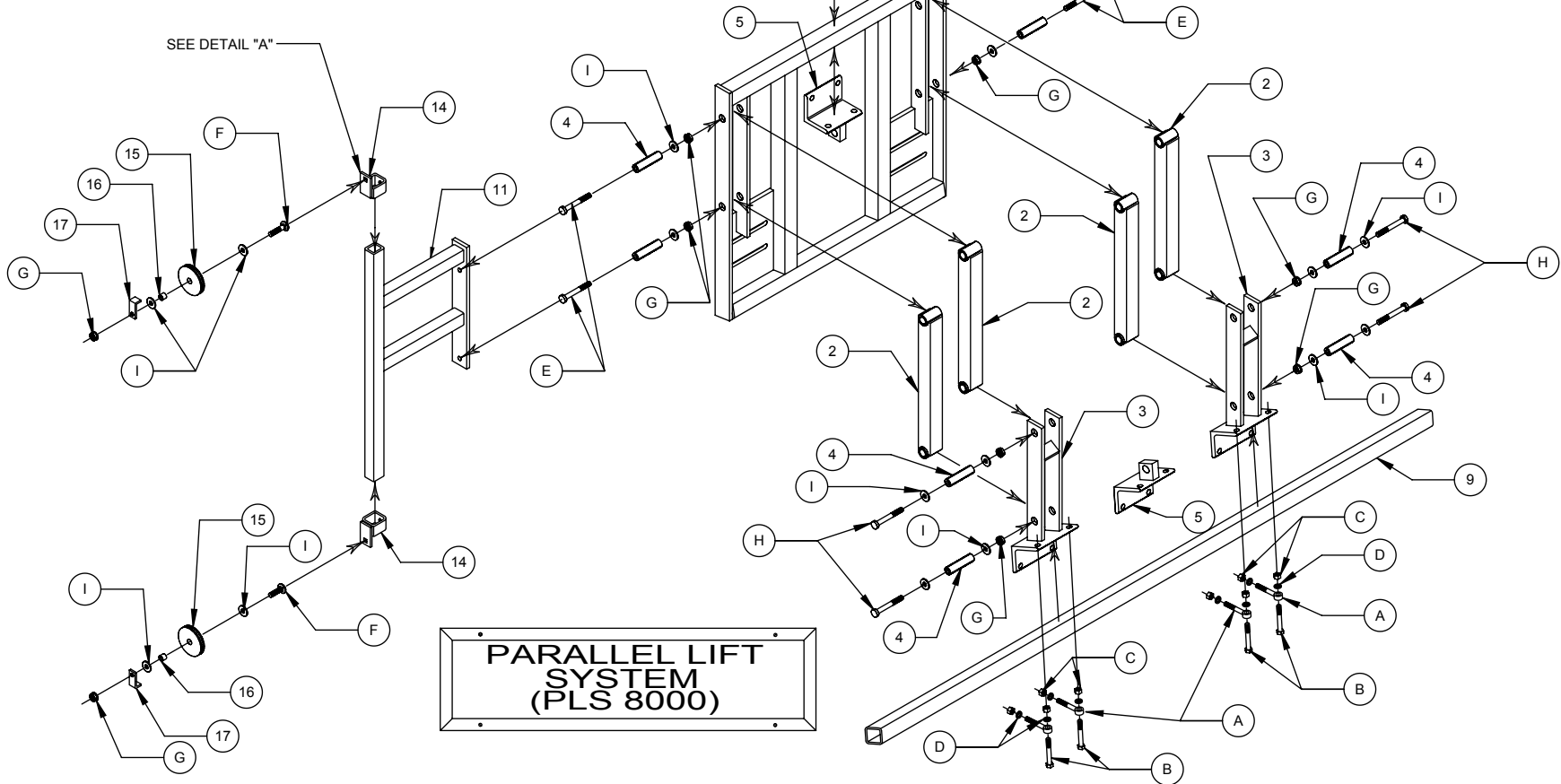
LIFT CABLE ROUTE DIAGRAM



OPTIONAL ASSIST ARM (1995-1996) (6 ROW 30)

OPTIONAL ASSIST ARM (1995-1996) (8 ROW 22)

SEE DETAIL "A"



PARALLEL LIFT SYSTEM (PLS 8000) (1997–Present)

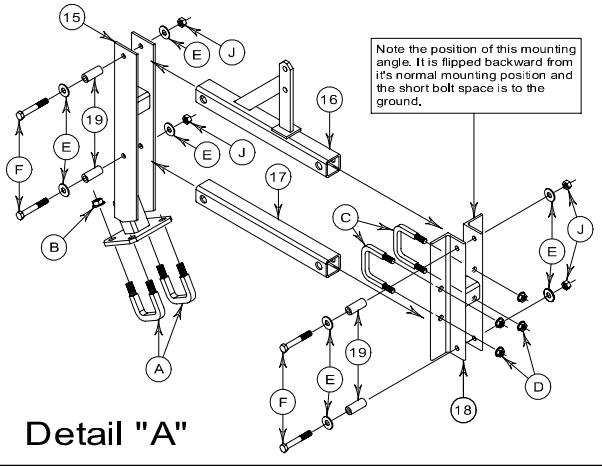
Parts List

| <u>Item No.</u> | <u>Part No.</u> | <u>Description</u> |
|-----------------|-----------------|--|
| 1. | 200075 | Front Mounting Base |
| 2. | 200085 | Pivot Arm |
| 3. | 200080 | Lifting Arm (See Hardware Items: A, B, C, D, G, H, I) |
| 4. | 200072 | Lifting Arm Bushing |
| 5. | 200090 | Upper & Lower Ram Mount (Center Mounted for 2 Divider Systems) |
| 6. | 200104 | LH Lower Ram Mount (Offset for 3 Divider Systems) |
| 7. | 200308 | RH Lower Ram Mount (Offset for 3 Divider Systems) |
| 8. | 200311 | Lower Ram Mount Pin (For 3 Divider Systems) |
| 9. | 200224 | Divider Tube 8-22, (96") |
| Not Shown | 200229 | Divider Tube 6-30, (75") |
| Not Shown | 200270 | Divider Tube 8-30,(w/ tires at 120") (128") |
| 10. | 103083 | Hydraulic Ram (2 1/2" × 12") |
| 11. | 200570 | Front Assist Arm (Standard) (replaces 200130) (6-30 & 8-22) (Items: E, G, I) |
| 12. | 200094 | Front Assist Arm 8-22 (1995–1996) (optional) (See Hardware Items: E, G, I) |
| 13. | 200095 | Front Assist Arm 6-30 (1995–1996) (optional) (See Hardware Items: E, G, I) |
| 14. | 200100 | Pulley Slide Lock (See Hardware Items: F, G, I, J, K) |
| 15. | 116010 | Steel Pulley |
| 16. | 200276 | Pulley Bushing |
| 17. | 200267 | Pulley Guard |
| 18. | 103043 | 1/4" Steel Lift Cable |
| 19. | 200121 | Divider Tube Cable Plate (See Hardware Items: L & M) |

Parts List

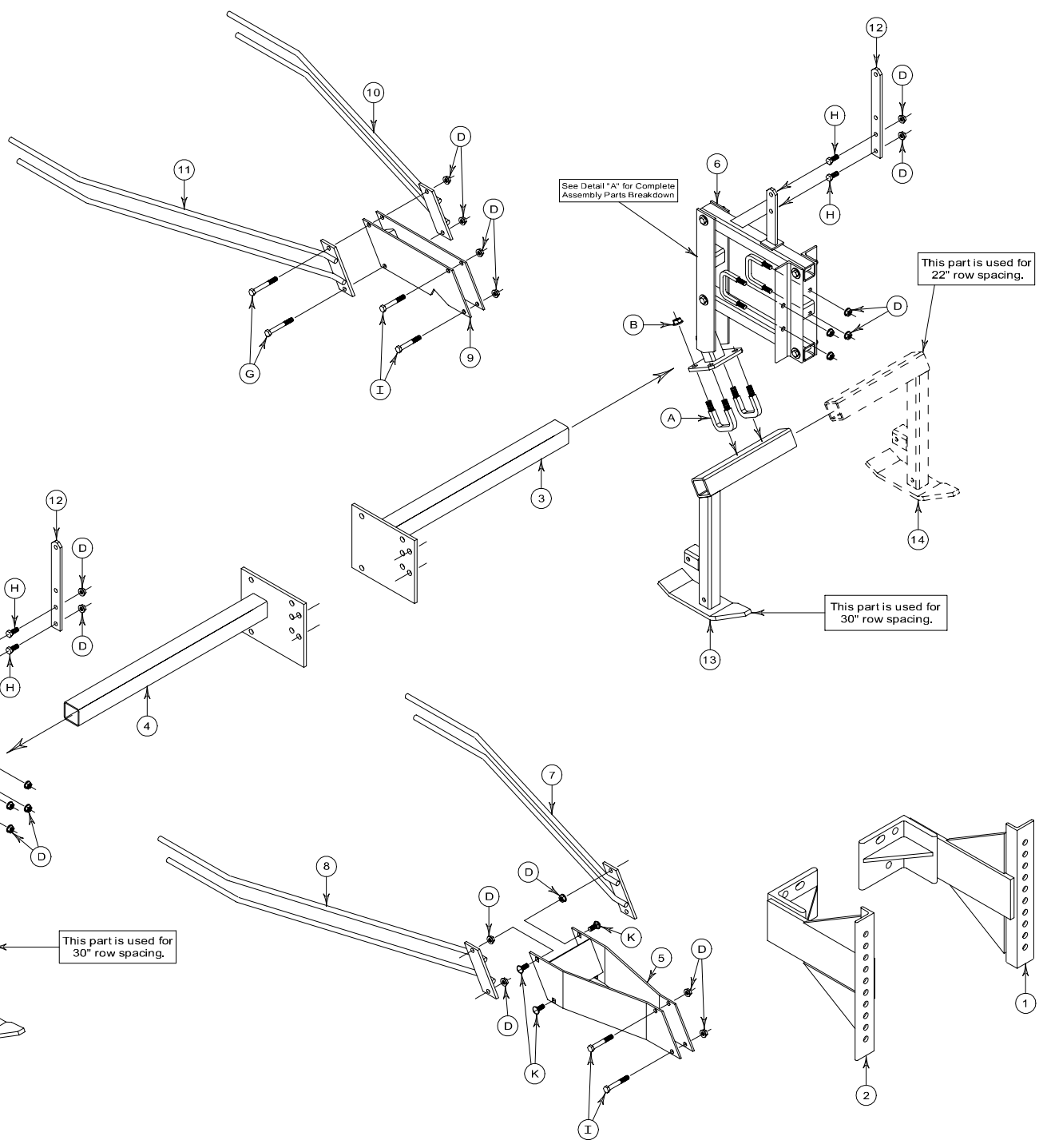
| <u>Item No.</u> | <u>Part No.</u> | <u>Description</u> |
|-----------------|-----------------|------------------------------------|
| A. | 118026 | 5/8" × 4 1/2" NC Eye Bolt |
| B. | | 5/8" × 4 1/2" NC Hex Bolt–Grade 8 |
| C. | | 5/8" NC Hex Nut |
| D. | | 5/8" Lock Washer |
| E. | | 1/2" × 5" NC Hex Bolt–Grade 5 |
| F. | | 1/2" × 2" NC Carriage Bolt–Grade 5 |
| G. | | 1/2" NC Whiz Nut |
| H. | | 1/2" × 4 1/2" NC Hex Bolt |
| I. | | 1/2" Flat Washer |
| J. | | 1/2" × 1 1/2" NC Hex Bolt |
| K. | | 1/2" NC Hex Nut |
| L. | 121016 | U-Bolt, Type N |
| M. | | 3/8" NC Whiz Nut |

Note the position of this mounting angle. It is flipped backward from its normal mounting position and the short bolt space is to the ground.



Detail "A"

CASE MX DIVIDER SYSTEM
(180 - 240 SERIES)



This part is used for 22" row spacing.

This part is used for 30" row spacing.

This part is used for 30" row spacing.

This part is used for 22" row spacing.

See Detail "A" for Complete Assembly Parts Breakdown

See Detail "A" for Complete Assembly Parts Breakdown

Case MX Divider System (180 – 240 Series)

Parts List

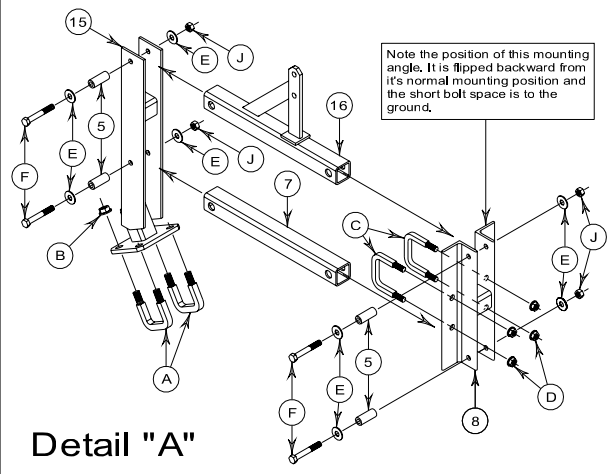
| <u>Item No.</u> | <u>Part No.</u> | <u>Qty.</u> | <u>Description</u> |
|-----------------|-----------------|-------------|---|
| 1. | 200305 | 1 | L.H. 19" Case Weight Mount Bracket |
| 2. | 200306 | 1 | R.H. 19" Case Weight Mount Bracket |
| 3. | 200309 | 1 | L.H. Case RTD* Mount |
| 4. | 200310 | 1 | R.H. Case RTD* Mount |
| 5. | 300110 | 2 | Front Divider Rod Extension Plate (John Deere 8420) |
| 6. | 200145 | 2 | Complete RTD* Upper Assembly (flip mount angle) |
| 7. | 300111 | 2 | L.H. Divider Rod (long) (reversed plate) |
| 8. | 300112 | 2 | R.H. Divider Rod (long) (reversed plate) |
| 9. | 300151 | 2 | Divider Rod Extension Plate (long) (13 3/4" hc to hc) |
| 10. | 300066 | 2 | L.H. Divider Rod (long) |
| 11. | 300067 | 2 | R.H. Divider Rod (long) |
| 12. | 300028 | 2 | Lift Cable Extension Plate |
| 13. | 200406 | 1 | L.H. Lower RTD* Assembly |
| 14. | 200405 | 1 | R.H. Lower RTD* Assembly |
| 15. | 200054 | 2 | Upper Divider Mount |
| 16. | 300052 | 2 | Upper Lift Tube (18") |
| 17. | 300045 | 2 | Lower Pivot Tube (18") |
| 18. | 300038 | 2 | Mounting Angle |
| 19. | 300100 | 8 | Spacer Bushing (2 1/16" lg.) |

* RTD = Rear Tire Divider

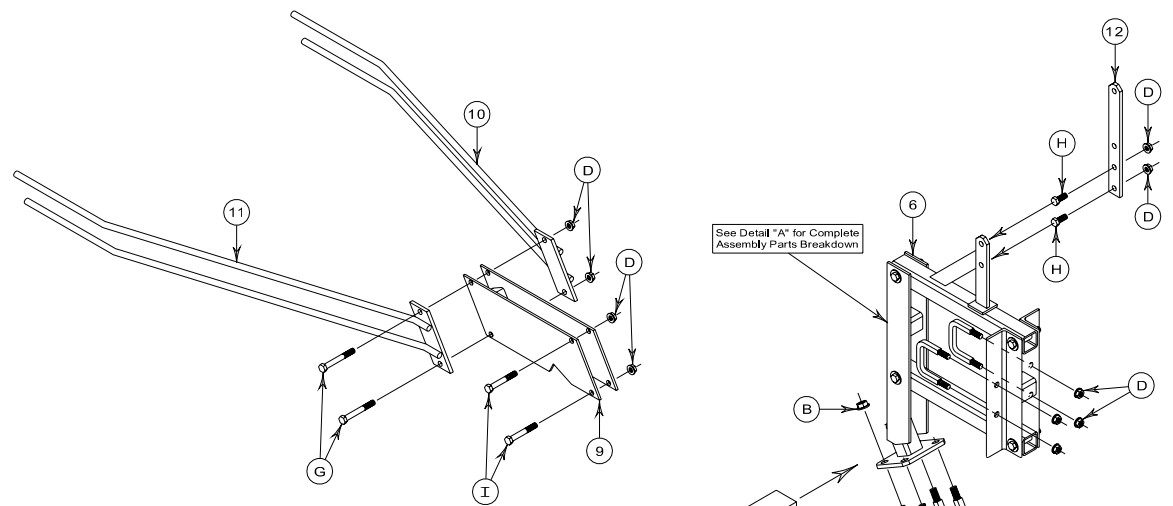
Hardware List

| <u>Item No.</u> | <u>Part No.</u> | <u>Qty.</u> | <u>Description</u> |
|-----------------|-----------------|-------------|---|
| A. | 121004 | 4 | Type E, U-Bolt (5/8" x 2 9/16" x 4") |
| B. | | 8 | 5/8" NC Whiz Nut (5/8" NC Hex Nuts & 5/8" Lock washers can be used) |
| C. | 121005 | 4 | Type F, U-Bolt (1/2" x 3" x 4") |
| D. | | 32 | 1/2" Whiz Nut |
| E. | | 16 | 1/2" Flat Washer |
| F. | | 8 | 1/2" x 3 1/2" NC Hex Bolt |
| G. | | 4 | 1/2" x 4" NC Hex Bolt |
| H. | | 4 | 1/2" x 1 1/4" NC Hex Bolt |
| I. | | 8 | 1/2" x 3" NC Hex Bolt |
| J. | | 8 | 1/2" NC Center Lock Nut |
| K. | | 8 | 1/2" x 1 1/4" NC Carriage Bolt |

Note the position of this mounting angle. It is flipped backward from its normal mounting position and the short bolt space is to the ground.



Detail "A"

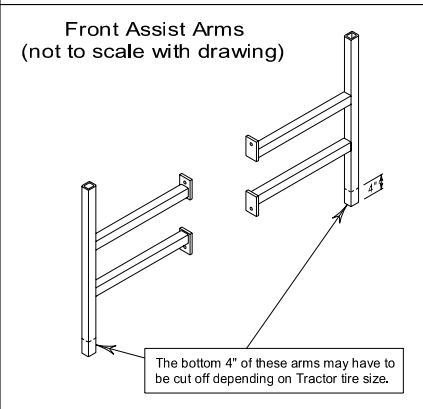
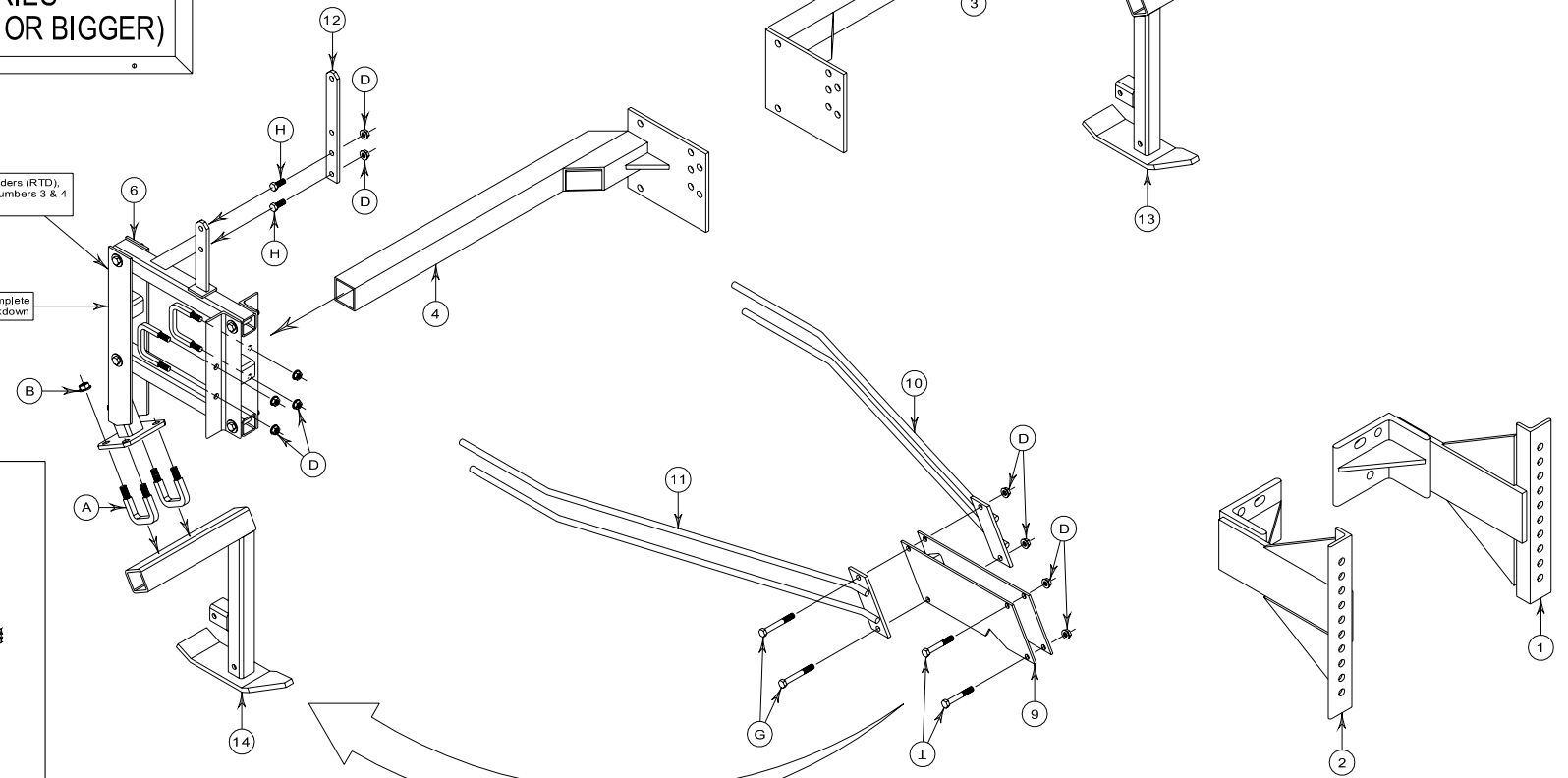


See Detail "A" for Complete Assembly Parts Breakdown

**CASE MX DIVIDER SYSTEM
140 - 170 SERIES
(8 ROW-22 / 34" RIMS OR BIGGER)**

When mounting these Rear Tire Dividers (RTD), mount as far to the outside of item numbers 3 & 4 (RTD Mounts), as possible.

See Detail "A" for Complete Assembly Parts Breakdown



Case MX Divider System (140 – 170 Series) (8 ROW-22 / 34" Rims or Bigger)

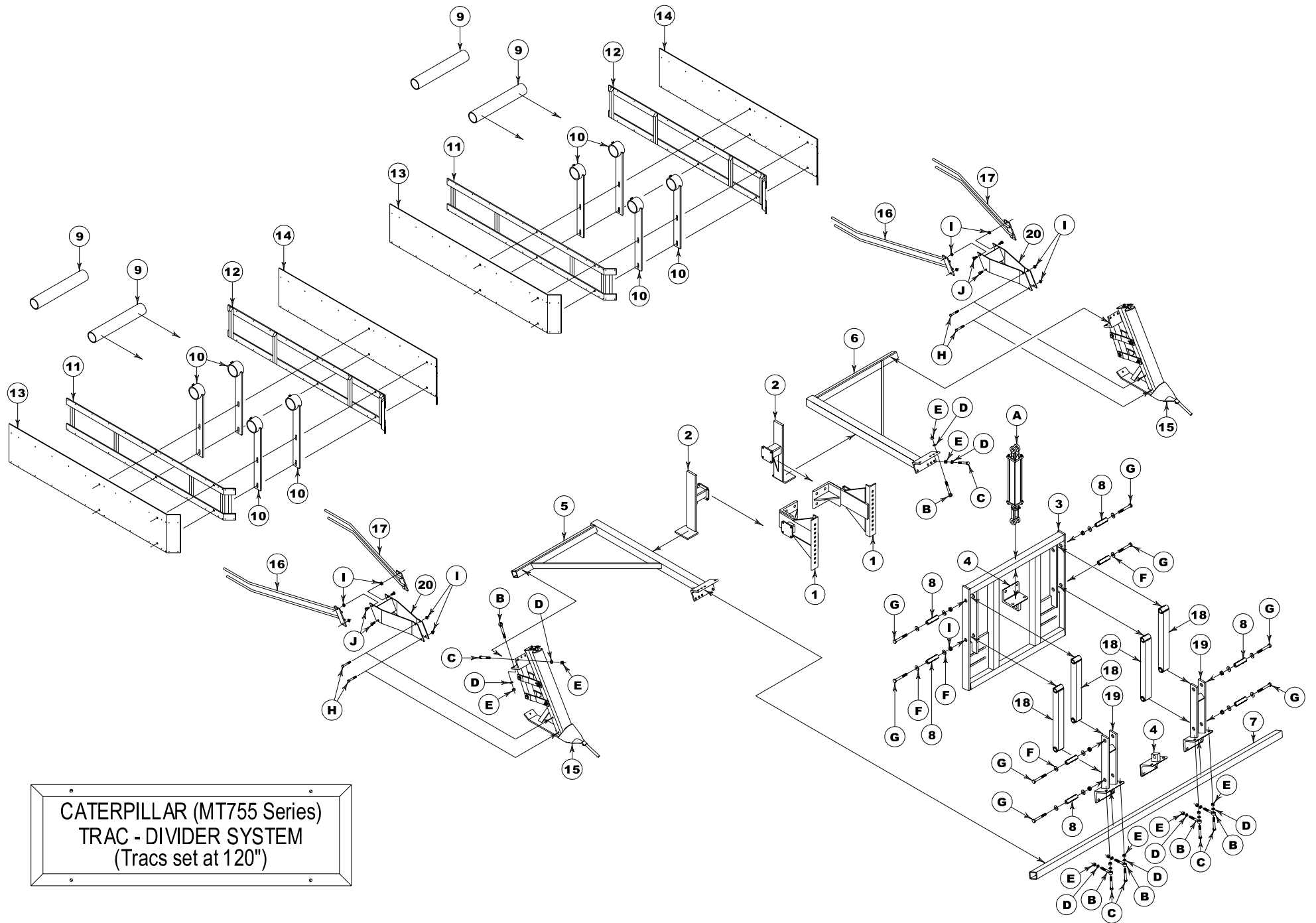
Parts List

| <u>Item No.</u> | <u>Part No.</u> | <u>Qty.</u> | <u>Description</u> |
|-----------------|-----------------|-------------|---|
| 1. | 200305 | 1 | L.H. 19" Case Weight Mount Bracket |
| 2. | 200306 | 1 | R.H. 19" Case Weight Mount Bracket |
| 3. | 200419 | 1 | L.H. Case RTD* Mount (for use on 8 Row-22 & 34" or bigger Tractor Rims) |
| 4. | 200420 | 1 | R.H. Case RTD* Mount (for use on 8 Row-22 & 34" or bigger Tractor Rims) |
| 5. | 300100 | 8 | Spacer Bushing (2 1/16" lg.) |
| 6. | 200145 | 2 | Complete RTD* Upper Assembly (flip mount angle) |
| 7. | 300045 | 2 | Lower Pivot Tube (18") |
| 8. | 300038 | 2 | Mounting Angle |
| 9. | 300151 | 2 | Divider Rod Extension Plate (long) (13 3/4" hc to hc) |
| 10. | 300066 | 2 | L.H. Divider Rod (long) |
| 11. | 300067 | 2 | R.H. Divider Rod (long) |
| 12. | 300028 | 2 | Lift Cable Extension Plate |
| 13. | 200406 | 1 | L.H. Lower RTD* Assembly |
| 14. | 200405 | 1 | R.H. Lower RTD* Assembly |
| 15. | 200054 | 2 | Upper Divider Mount |
| 16. | 300052 | 2 | Upper Lift Tube (18") |

* RTD = Rear Tire Divider

Hardware List

| <u>Item No.</u> | <u>Part No.</u> | <u>Qty.</u> | <u>Description</u> |
|-----------------|-----------------|-------------|---|
| A. | 121004 | 4 | Type E, U-Bolt (5/8" x 2 9/16" x 4") |
| B. | | 8 | 5/8" NC Whiz Nut (5/8" NC Hex Nuts & 5/8" Lock washers can be used) |
| C. | 121005 | 4 | Type F, U-Bolt (1/2" x 3" x 4") |
| D. | | 20 | 1/2" Whiz Nut |
| E. | | 16 | 1/2" Flat Washer |
| F. | | 8 | 1/2" x 3 1/2" NC Hex Bolt |
| G. | | 4 | 1/2" x 4" NC Hex Bolt |
| H. | | 4 | 1/2" x 1 1/4" NC Hex Bolt |
| I. | | 4 | 1/2" x 3" NC Hex Bolt |
| J. | | 8 | 1/2" NC Center Lock Nut |



CATERPILLAR (MT755 Series)
 TRAC - DIVIDER SYSTEM
 (Tracs set at 120")

Caterpillar Track – Divider System (MT755 Series)

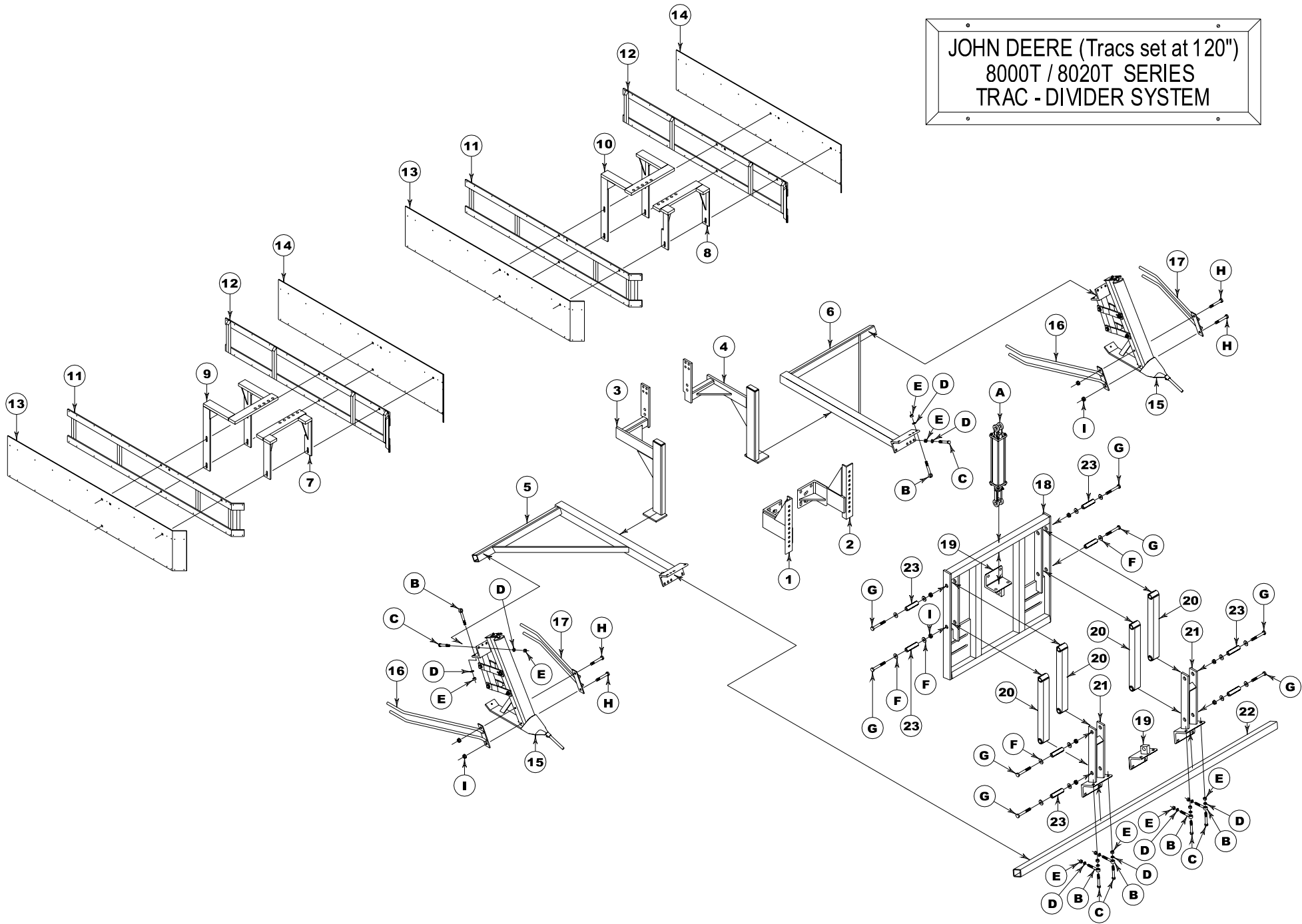
Parts List

| <u>Item No.</u> | <u>Part No.</u> | <u>Qty.</u> | <u>Description</u> |
|-----------------|-----------------|-------------|---|
| 1. | 200380 | 2 | R.H. & L.H. 19" Weight Mount Bracket |
| 2. | 200385 | 2 | R.H. & L.H. Divider Cradle |
| 3. | 200075 | 1 | Front Mounting Base |
| 4. | 200090 | 2 | Upper & Lower Ram Mount |
| 5. | 200383 | 1 | R.H. Divider Lift Arm (for use when Tracks are set at 120") |
| 6. | 200384 | 1 | L.H. Divider Lift Arm (for use when Tracks are set at 120") |
| 7. | 200229 | 1 | Divider Tube (75") |
| 8. | 200072 | 8 | Lifting Arm Bushing (3 ¹⁹ / ₃₂ " lg.) |
| 9. | 200277 | 4 | Track Shield Mount Pipe |
| 10. | 200390 | 8 | R.H. & L.H. Track Shield Mount |
| 11. | 200387 | 2 | R.H. Track Shield Frame |
| 12. | 200388 | 2 | L.H. Track Shield Frame |
| 13. | 200395 | 2 | R.H. Track Shield |
| 14. | 200396 | 2 | L.H. Track Shield |
| 15. | 300018 | 2 | Front Divider |
| 16. | 300112 | 2 | R.H. Divider Rod (reversed plate) |
| 17. | 300111 | 2 | L.H. Divider Rod (reversed plate) |
| 18. | 200085 | 4 | Pivot Arm |
| 19. | 200080 | 2 | Lifting Arm |
| 20. | 300110 | 2 | Divider Rod Extension Plate |

Hardware List

| <u>Item No.</u> | <u>Part No.</u> | <u>Qty.</u> | <u>Description</u> |
|-----------------|-----------------|-------------|-------------------------------------|
| A. | 103083 | 1 | Hydraulic Ram (2 1/2" x 12") |
| B. | 118026 | 20 | 5/8" x 4 1/2" NC Eye Bolt (Grade-8) |
| C. | | 20 | 5/8" x 4 1/2" NC Hex Bolt (Grade-8) |
| D. | | 40 | 5/8" Lock Washer |
| E. | | 40 | 5/8" NC Hex Nut |
| F. | | 16 | 1/2" Flat Washer |
| G. | | 8 | 1/2" x 4 1/2" NC Hex Bolt |
| H. | | 4 | 1/2" x 3" NC Hex Bolt |
| I. | | 20 | 1/2" NC Whiz Nut |
| J. | | 8 | 1/2" x 1/4" NC Carriage Bolt |

JOHN DEERE (Tracs set at 120")
8000T / 8020T SERIES
TRAC - DIVIDER SYSTEM



John Deere Track – Divider System (8000T / 8020T Series)

Parts List

| <u>Item No.</u> | <u>Part No.</u> | <u>Qty.</u> | <u>Description</u> |
|-----------------|-----------------|-------------|--|
| 1. | 901159 | 1 | R.H. 14" Weight Mount Bracket |
| 2. | 901158 | 1 | L.H. 14" Weight Mount Bracket |
| 3. | 200365 | 1 | R.H. Divider Cradle |
| 4. | 200366 | 1 | L.H. Divider Cradle |
| 5. | 200370 | 1 | R.H. Divider Lift Arm (for use when Tracks are set at 120") |
| 5a. | 200372 | 1 | R.H. Divider Lift Arm (for use when Tracks are set at 88") (not shown) |
| 5b. | 200374 | 1 | R.H. Divider Lift Arm (for use when Tracks are set at 60") (not shown) |
| 6. | 200371 | 1 | L.H. Divider Lift Arm (for use when Tracks are set at 120") |
| 6a. | 200373 | 1 | L.H. Divider Lift Arm (for use when Tracks are set at 88") (not shown) |
| 6b. | 200375 | 1 | L.H. Divider Lift Arm (for use when Tracks are set at 60") (not shown) |
| 7. | 200164 | 1 | R.H. Front Track Shield Mount |
| 8. | 200166 | 1 | L.H. Front Track Shield Mount |
| 9. | 200165 | 1 | R.H. Rear Track Shield Mount |
| 10. | 200167 | 1 | L.H. Rear Track Shield Mount |
| 11. | 200320 | 2 | R.H. Track Shield Frame |
| 12. | 200321 | 2 | L.H. Track Shield Frame |
| 13. | 200325 | 2 | R.H. Track Shield |
| 14. | 200326 | 2 | L.H. Track Shield |
| 15. | 300018 | 2 | Front Divider |
| 16. | 300067 | 2 | R.H. Divider Rod |
| 17. | 300066 | 2 | L.H. Divider Rod |
| 18. | 200075 | 1 | Front Mounting Base |
| 19. | 200090 | 2 | Upper & Lower Ram Mount |
| 20. | 200085 | 4 | Pivot Arm |
| 21. | 200080 | 2 | Lifting Arm |
| 22. | 200229 | 1 | Divider Tube (75") |
| 23. | 200072 | 8 | Lifting Arm Bushing (3 ¹⁹ / ₃₂ "lg.) |

Hardware List

| <u>Item No.</u> | <u>Part No.</u> | <u>Qty.</u> | <u>Description</u> |
|-----------------|-----------------|-------------|---|
| A. | 103083 | 1 | Hydraulic Ram (2 ½" x 12") |
| B. | 118026 | 20 | ⁵ / ₈ " x 4 ½" NC Eye Bolt (GR-8) |
| C. | | 20 | ⁵ / ₈ " x 4 ½" NC Hex Bolt (GR-8) |
| D. | | 40 | ⁵ / ₈ " Lock Washer |
| E. | | 40 | ⁵ / ₈ " NC Hex Nut |
| F. | | 16 | ½" Flat Washer |
| G. | | 8 | ½" x 4 ½" NC Hex Bolt |
| H. | | 4 | ½" x 3 ½" NC Hex Bolt |
| I. | | 12 | ½" NC Whiz Nut |