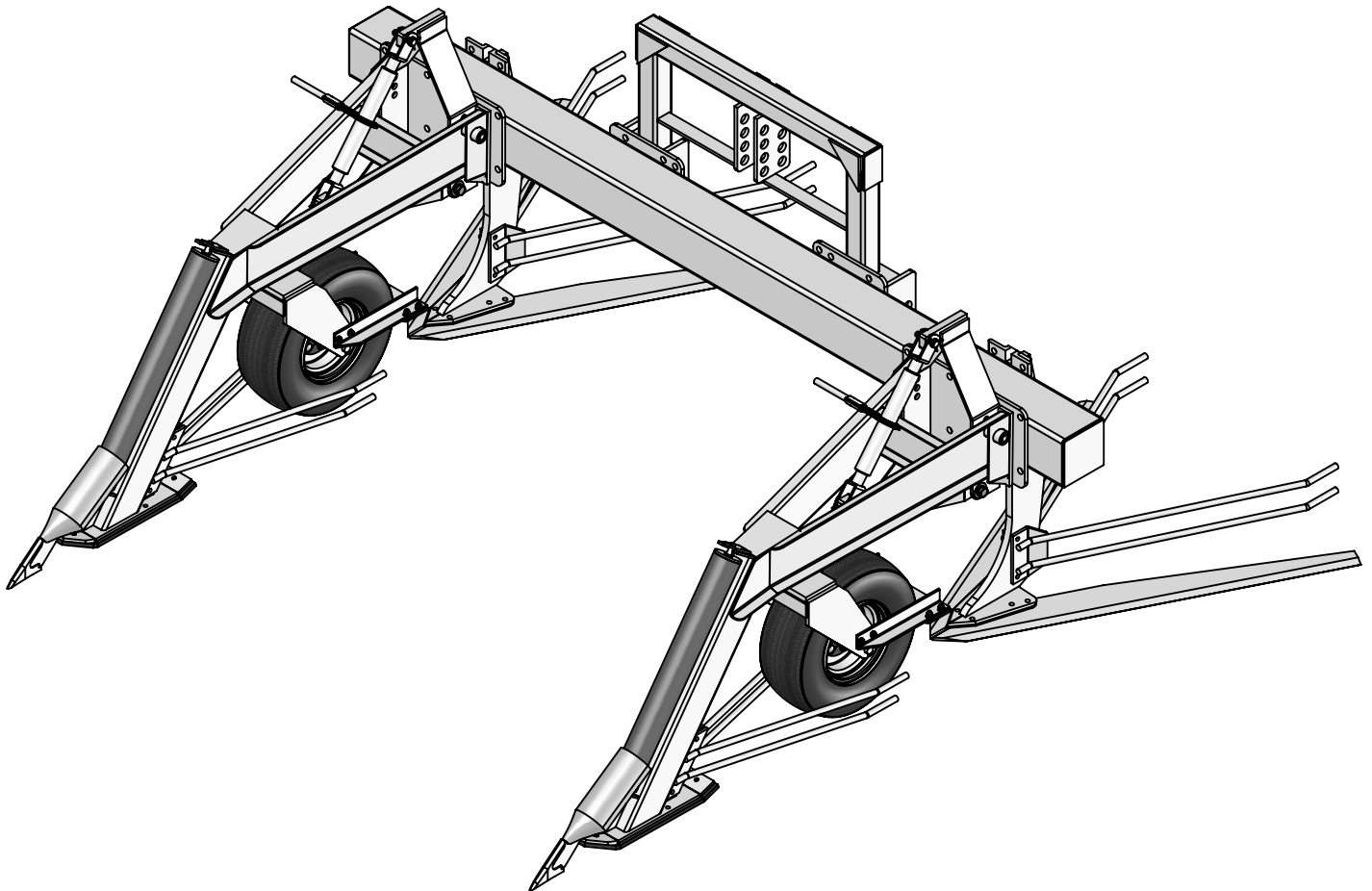




KNIFE DIVIDER

PICKETT EQUIPMENT

PARTS LISTING



Pickett Equipment

976 East Main Street * Phone: 208-678-0855 * www.pickettequipment.com

Burley, Idaho 83318 * Fax: 208-678-1404 * pickett@rvmi.com

Divider Systems

Knife Divider System

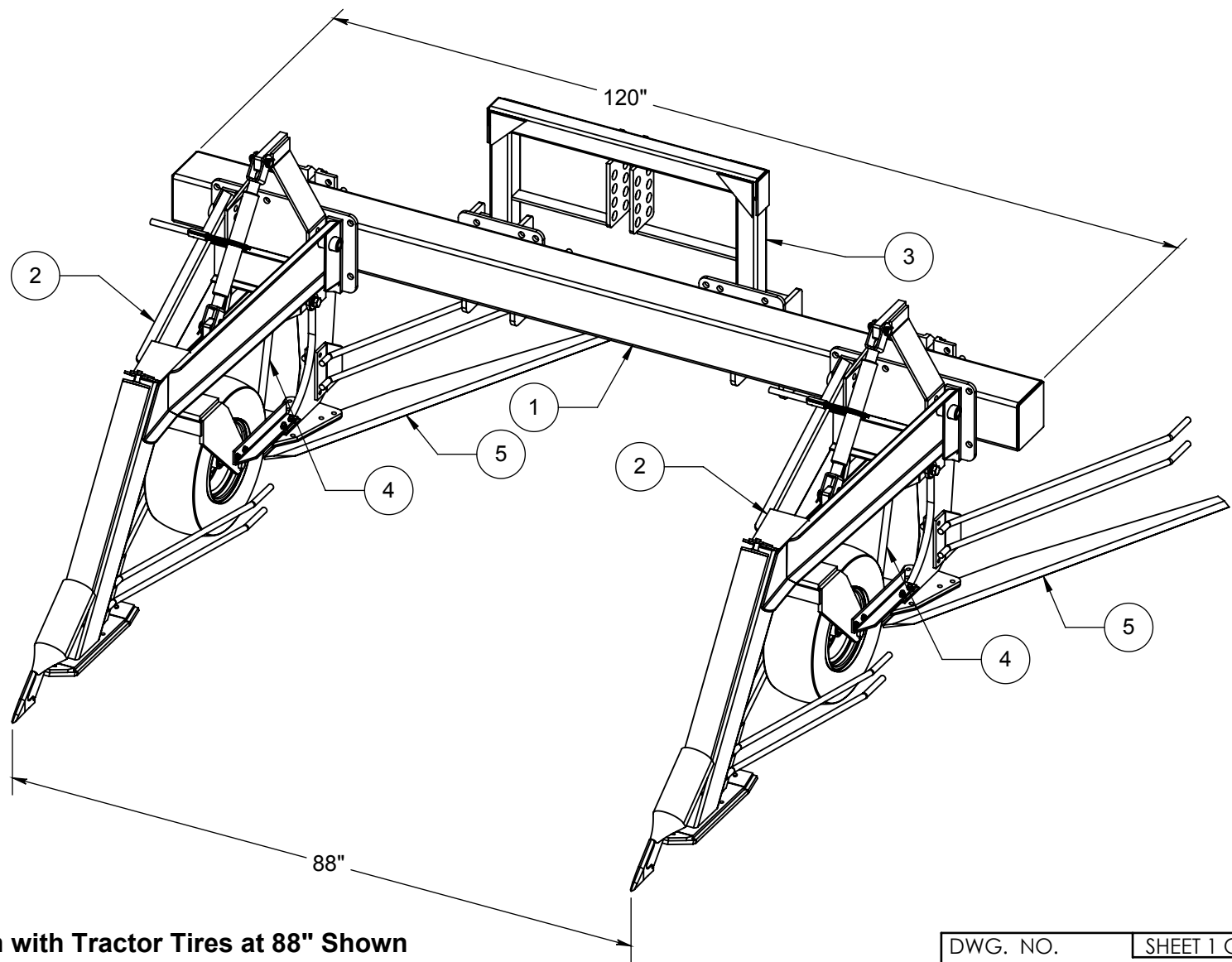
Section 7

Complete Knife Divider System	3
Complete Row Assembly	4
Divider and Wheel Mount Base.....	5
Depth Gauge Wheel Assembly	6
Depth Wheel and Fork Assembly.....	7
Complete Divider Assembly	8
Knife Row Assembly	9
Three Point Assembly	10

Return to this page by clicking the upper right corner of any page in this section.

320002

ITEM NO.	PART NUMBER	DESCRIPTION	QTY.
1	320008	4 Row 30 & 8 Row 22 Tool Bar	1
2	320018	Complete Row Assembly	2
3	320010	Three Point Hitch Assembly	1
4	111019	RH 54" Bean Knife	2
5	111019-L	LH 54" Bean Knife	2



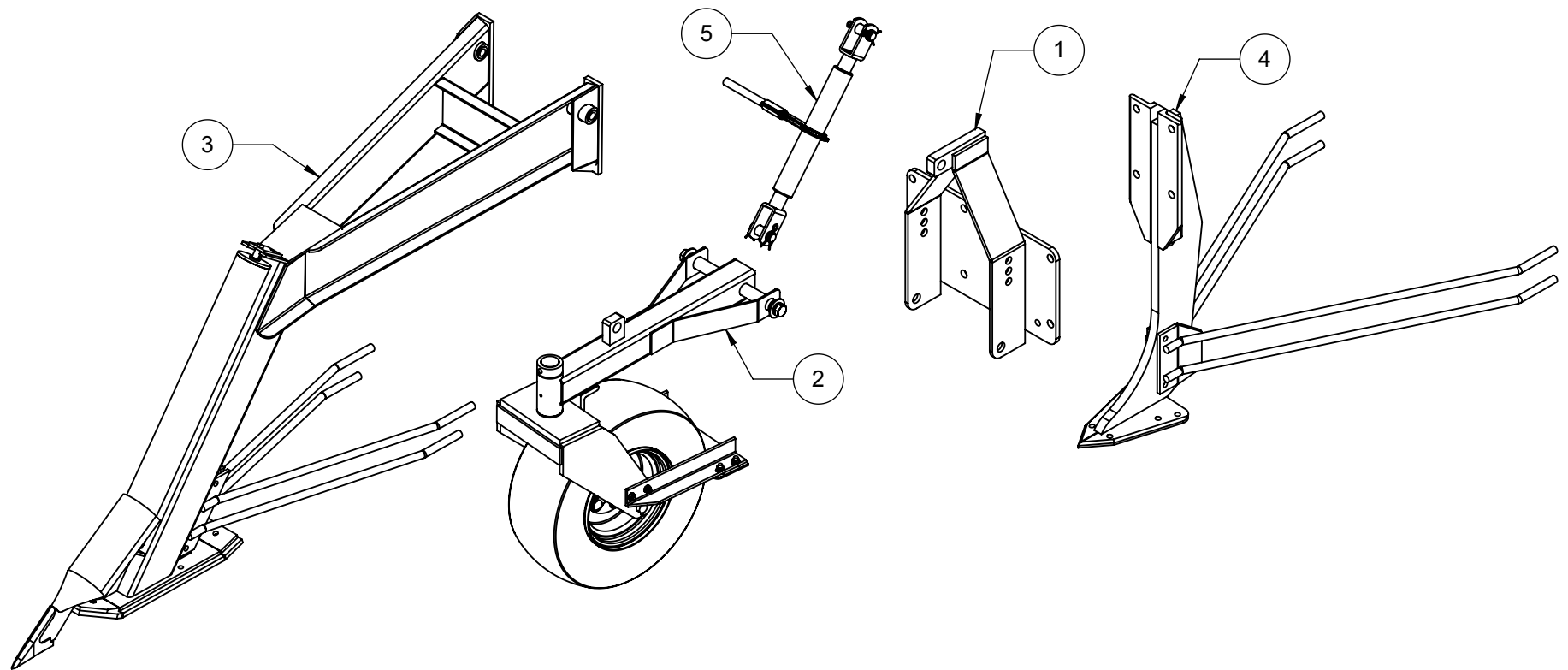
8 Row 22" Divider System with Tractor Tires at 88" Shown
Ajustable 60" to 88"

DWG. NO. SHEET 1 OF 1

320002

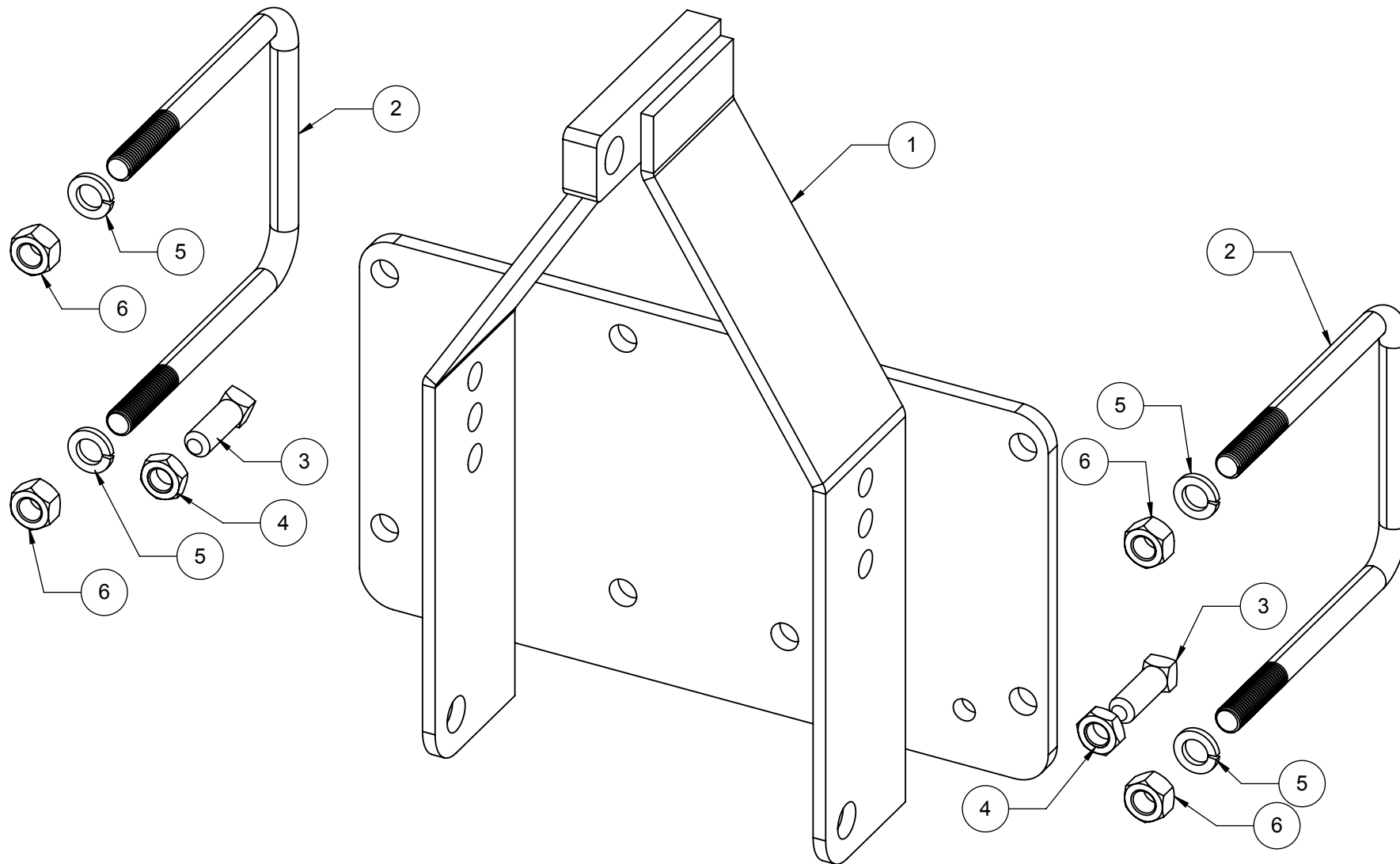
320018

ITEM NO.	PART NUMBER	DESCRIPTION	QTY.
1	320025	Divider & Wheel Mount Base	1
2	320030	Depth Gauge Wheel Assembly	1
3	320051	Complete Divider Assembly	1
4	320019	Knife Row Assembly	1
5	120003	Ratchet Jack	1



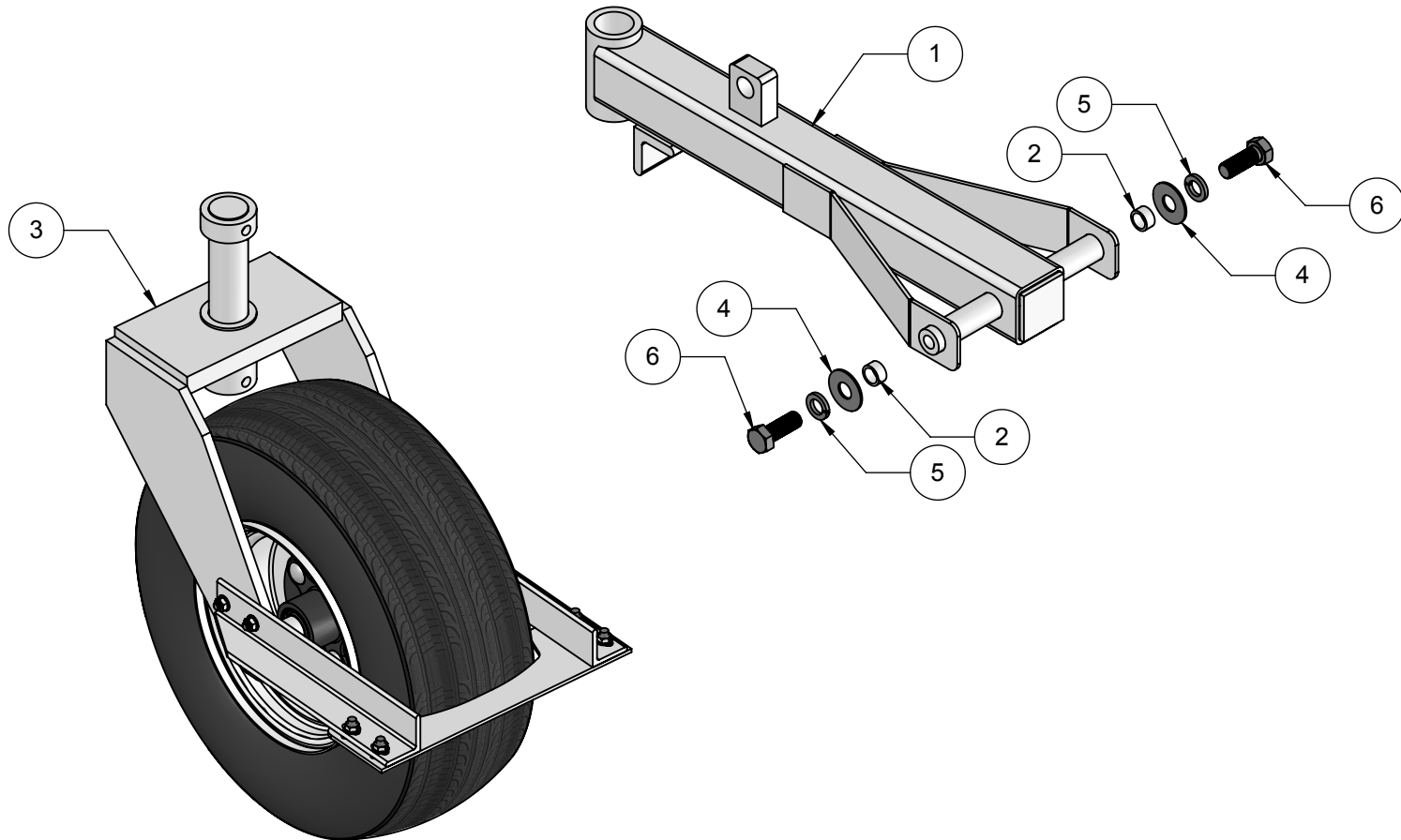
320025

ITEM NO.	PART NUMBER	DESCRIPTION	QTY.
1	320025	Divider & Wheel Mount Base	1
2	121021	Knife Divider U-Bolt	2
3	Square Head Set Screw	3/4" NC x 2" Square Head	2
4	Jam Nut	3/4" NC Hex Jam Nut	2
5	Regular Lock Washer	3/4" Lock Washer	4
6	Hex Nut	3/4" NC Hex Nut	4

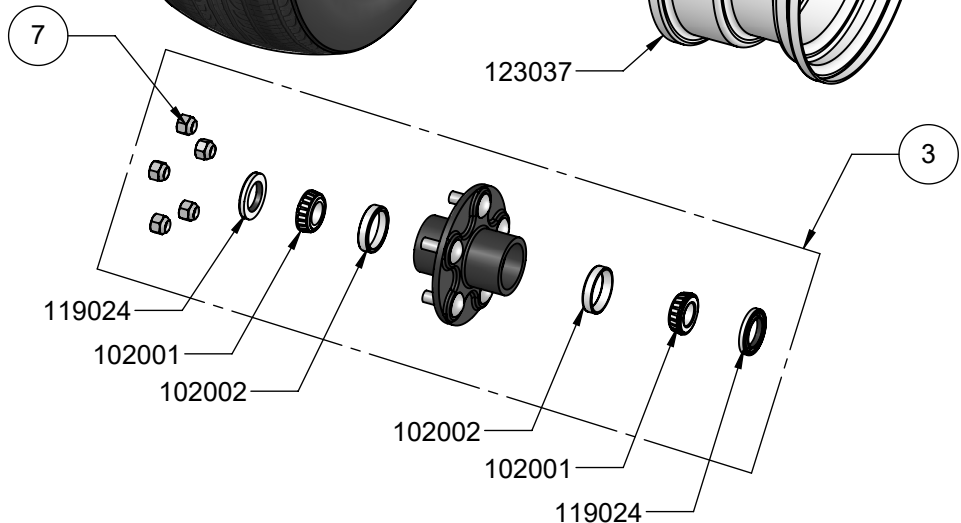
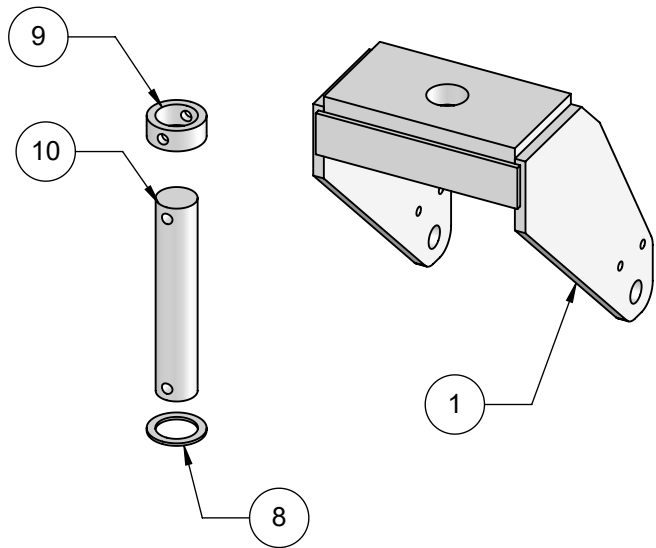
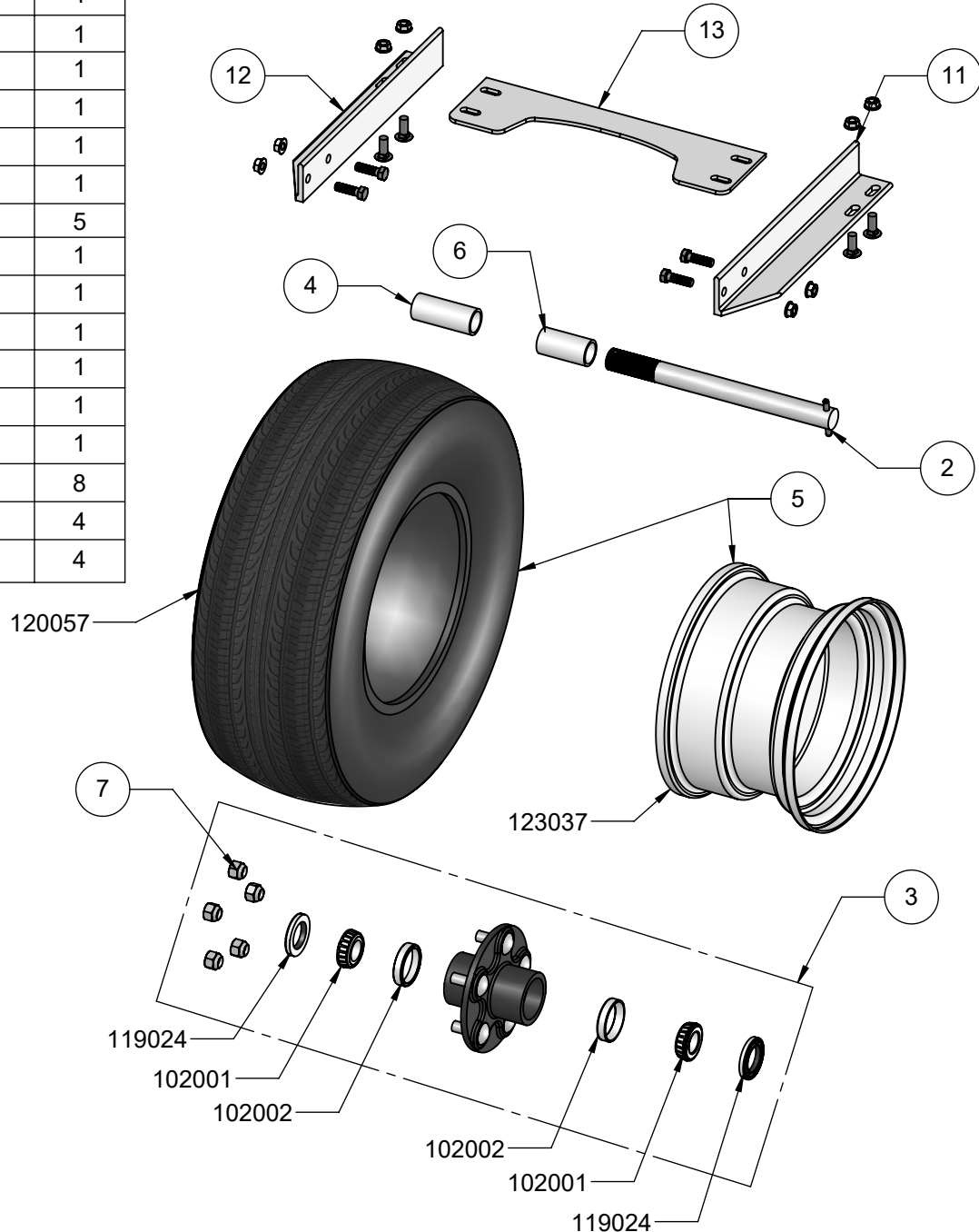


320030

ITEM NO.	PART NUMBER	DESCRIPTION	QTY.
1	320031	Depth Gauge Wheel Support Frame	1
2	320029	Depth Wheel Pivot Bushing	2
3	320079	Depth Wheel and Fork Assembly	1
4	Flat Washer	3/4" Flat Washer	2
5	Lock Washer	3/4" Lock Washer	2
6	Hex Bolt	3/4" NC x 2" Hex Bolt	2

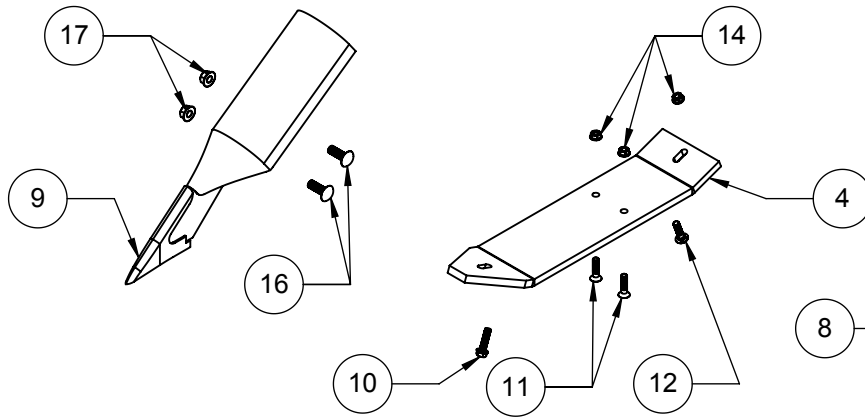
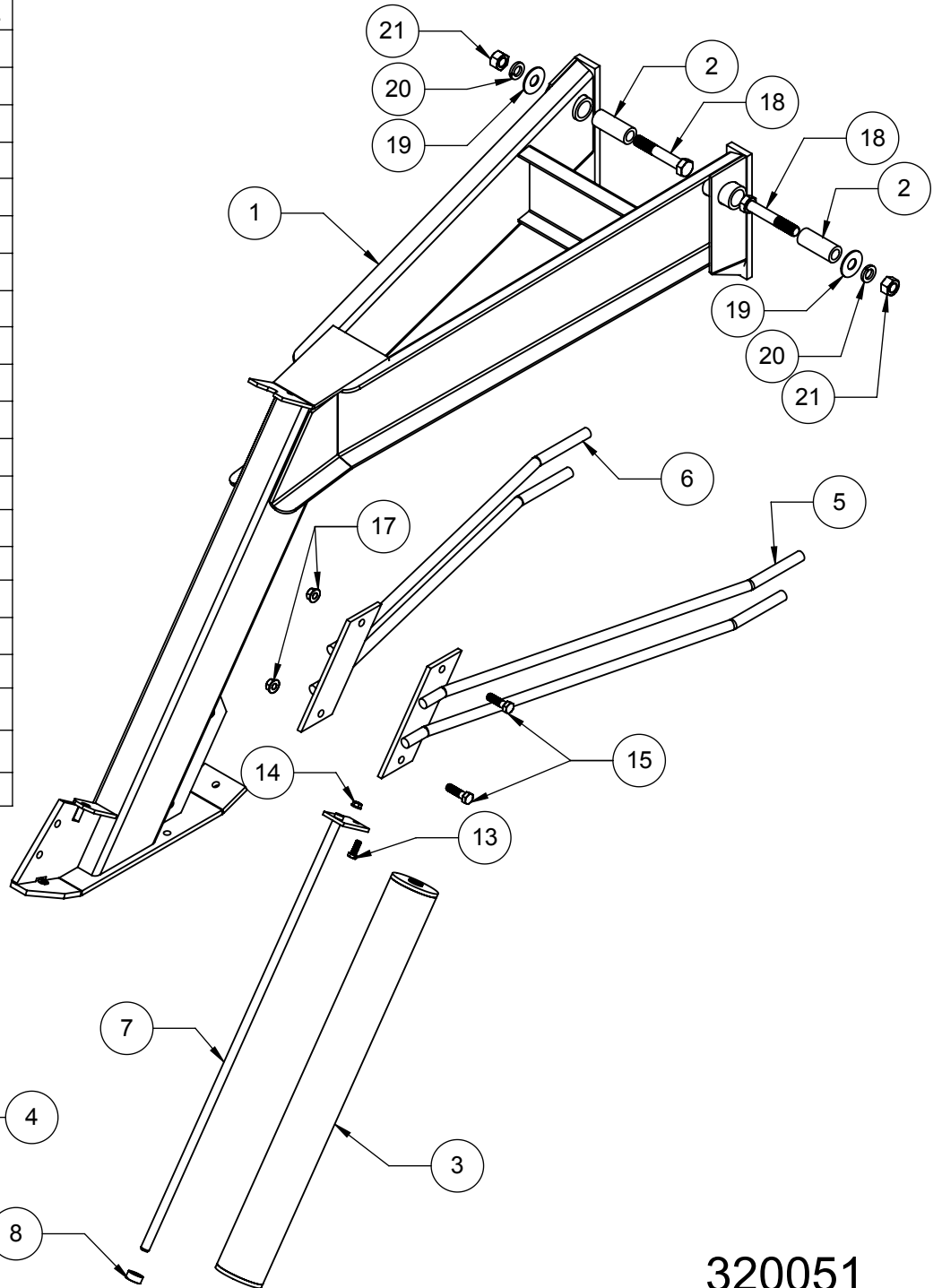


ITEM NO.	PART NUMBER	DESCRIPTION	QTY.
1	320080	Wheel Fork Assembly	1
2	320088	Axle With Nut	1
3	108136	Straddle Hub Assembly	1
4	320083	Long Hub Spacer 3 1/32"	1
5	123038	Complete Tire & Wheel	1
6	320084	Short Hub Spacer 2 15/32"	1
7	Wheel Nut	1/2" NF Acorn Nut	5
8	Spacer Washer	1 3/4" x 2 1/2" Machine Washer	1
9	320044	Wheel Fork Shaft Upper Lock	1
10	320043	Wheel Fork Shaft	1
11	320086	LH Mud Scraper Mount	1
12	320085	RH Mud Scraper Mount	1
13	320087	Mud Scraper	1
14	Whiz Nut	3/8" Whiz Nut	8
15	Hex Bolt	3/8" NC x 1 1/4" Hex Bolt	4
16	Carriage Bolt	3/8" NC x 1" Carriage Bolt	4



320079

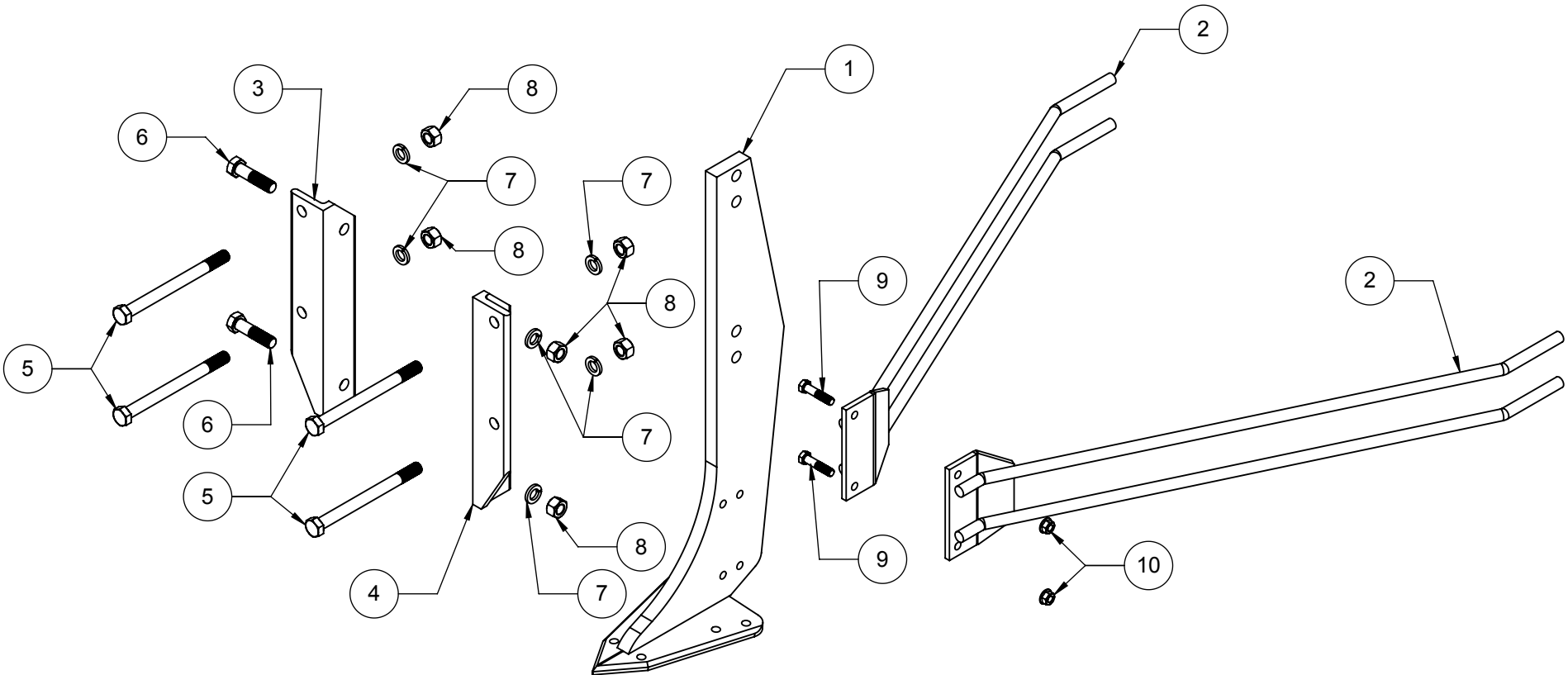
ITEM NO.	PART NUMBER	DESCRIPTION	QTY.
1	320052	Divider Main Frame Weld Assembly	1
2	320057	Divider Frame Inner Pivot Bushing	2
3	300006	Divider Roller Assembly	1
4	320067	Divider Wear Shoe	1
5	320073	LH Deflector Rod Assembly	1
6	320072	RH Deflector Rod Assembly	1
7	300056	Roller Rod Assembly	1
8	103042	5/8" Lock Collar	1
9	320068	Divider Nose Cone Assembly	1
10	Whiz Bolt	3/8" NC x 1 1/2" Whiz Bolt	1
11	Flat Head Bolt	3/8" NC x 1 1/2" Flat Head Bolt	2
12	Carriage Bolt	3/8" NC x 1 1/2" Carriage Bolt	1
13	Hex Bolt	3/8" NC x 1" Hex bolt	1
14	Whiz Nut	3/8" NC Whiz Nut	4
15	Hex Bolt	1/2" NC x 1 3/4" Hex Bolt	2
16	Carriage Bolt	1/2" NC x 1 1/2" Carriage Bolt	2
17	Whiz Nut	1/2" NC Whiz Nut	4
18	Hex Bolt	3/4" NC x 4 1/2" Hex Bolt	2
19	Flat Washer	3/4" Flat Washer	2
20	Lock Washer	3/4" Lock Washer	2
21	Hex Nut	3/4" NC Hex Nut	2



320051

320019

ITEM NO.	PART NUMBER	DESCRIPTION	QTY.
1	320020	Knife Shank Assembly	1
2	320076-A	Knife Deflector Rod Assembly	2
3	320023	RH Knife Mount Angle	1
4	320024	LH Knife Mount Angle	1
5	106009	3/4" NC x 9" Gd 8 Hex Bolt	4
6	Hex Bolt	3/4" NC x 3" Hex Bolt	2
7	Lock Washer	3/4" Lock Washer	6
8	Hex Nut	3/4" NC Hex Nut	6
9	Hex Bolt	1/2" NC x 2 1/4" Hex Bolt	2
10	Whiz Nut	1/2" NC Whiz Nut	2



ITEM NO.	PART NUMBER	DESCRIPTION	QTY.
1	320010	Three Point Hitch Assembly	1
2	121021	Knife Divider U-Bolt	6
3	Lock Washer	3/4" Lock Washer	12
4	Nex Nut	3/4" NC Hex Nut	12
5	116001	Category 2-3 Pin	2
6	116002	Latch Pin	2
7	116021	1" x 6-1/2" Top Hitch Pin	1
8	Hair Pin	3/16" Hair Pin	1

320010

