

# One Step Rod Cutter Rear Pull

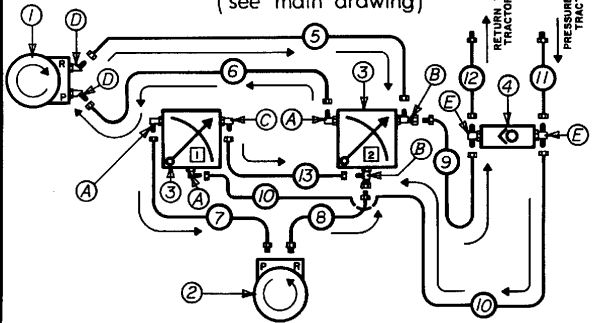
## Hydraulic Systems

## Section 15

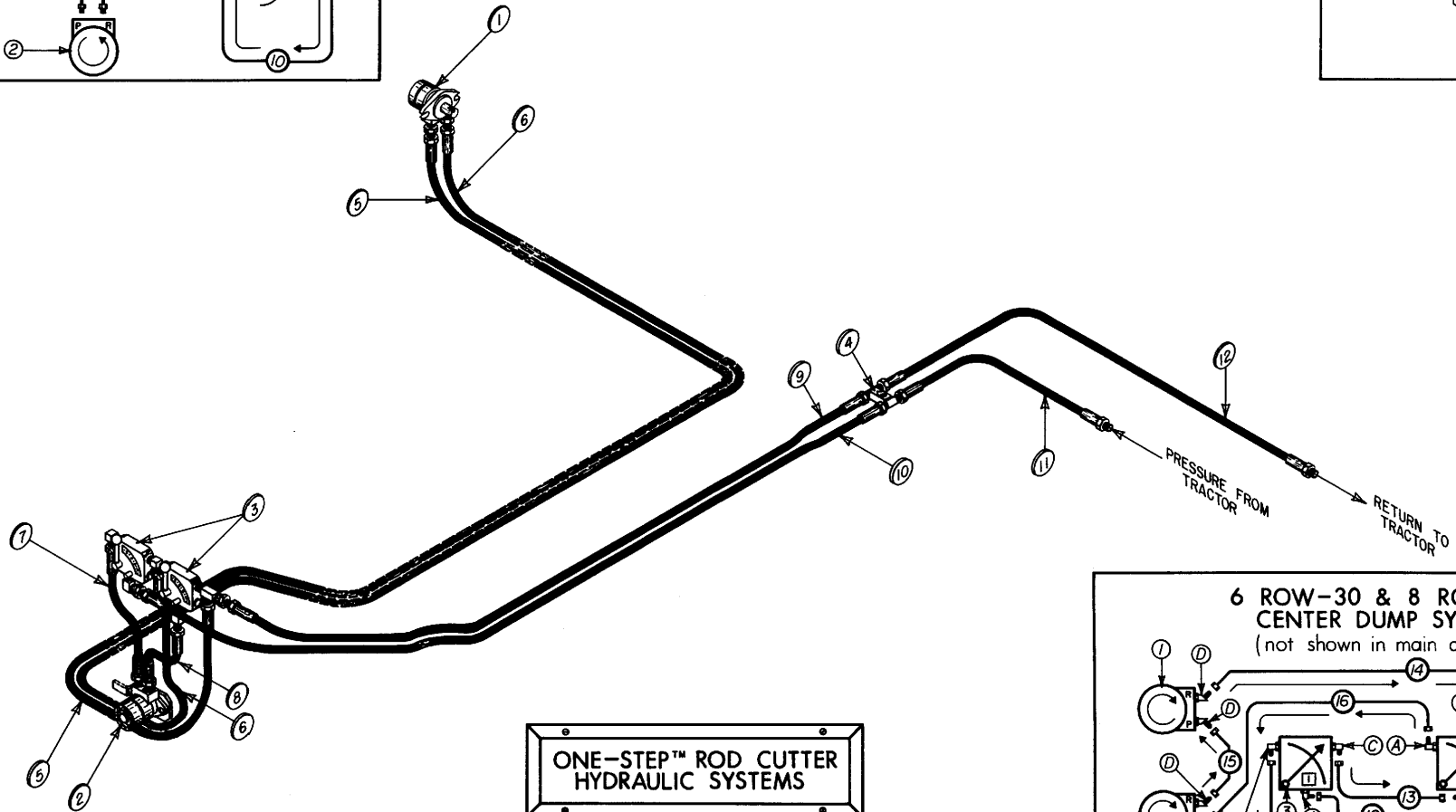
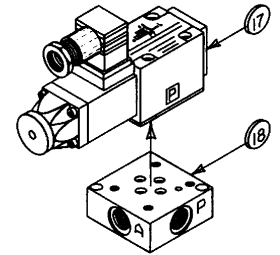
Model Year 1992 .....	2-5
Model Years 1993 – 1994 .....	6-12
Model Years 1995 – 2005 (PTO Drive Chain Case) .....	12-21
Model Years 1995 – 2010 (Hydraulic Drive Chain Case) .....	22-35
Model Years 2011 – Present (Hydraulic Drive Chain Case) .....	36-49
Front Gauge Wheel Adjustment (Hydraulic Option) 6 Row 30, 8 Row 22 or 12 Row 22 .....	50-51
Front Gauge Wheel Adjustment (Hydraulic Option) 8 Row 30 .....	52-53
Front Gauge Wheel Adjustment (Hydraulic Option) 12 Row 22 .....	54-55
Front Gauge Wheel Adjustment (Hydraulic Option) 12 Row 30 .....	56-57

Return to this page by clicking the upper right corner of any page in this section.

**6 ROW-30 & 8 ROW-22  
SEMI-END DUMP SYSTEM**  
(see main drawing)

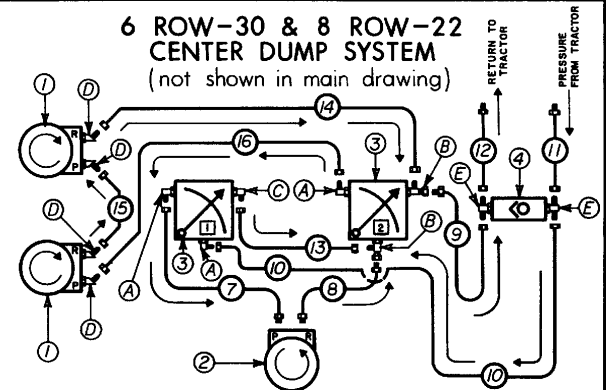


**BI-DIRECTIONAL VALVE FOR  
TRANSVERSING TRAYS**



**ONE-STEP™ ROD CUTTER  
HYDRAULIC SYSTEMS**

**6 ROW-30 & 8 ROW-22  
CENTER DUMP SYSTEM**  
(not shown in main drawing)



# ONE STEP™ ROD CUTTER HYDRAULIC SYSTEMS (1992)

## Parts List

<u>Item No.</u>	<u>Part No.</u>	<u>Description</u>
1.	113001	Hydraulic Table Motor } Replaced by 113022
2.	113008	Hydraulic Pickup Head Motor } Replaced by 113023
3.	122001	Valve, Flow Control } Replaced by 122024
4.	122002	Valve, Check (Restrictor Valve) } Replaced by 122025
5.	108023	Table Motor Hose R108U-608608-14600
6.	108020	Table Motor Hose R208U-108608-14300
7.	108027	Pickup Head Motor Hose R208U-P10108-02100
8.	108010	Pickup Head Motor Hose R208U-P10608-01700
9.	108014	Tractor Reservoir Hose R110U-108112-19100
10.	108012	Tractor Reservoir Hose R208U-108108-14400
11.		Not Needed
12.		Not Needed
13.	120004	½" × 90° Steel Line 800
14.	108006	Table Motor Hose R108U-608608-20800
15.	108004	Table Motor Hose R208U-608608-14650
16.	108008	Table Motor Hose R208U-108608-14450
17.	122027	Bi-directional Valve
18.	122028	Bi-directional Sub Plate

## Hardware List—Standard Valves

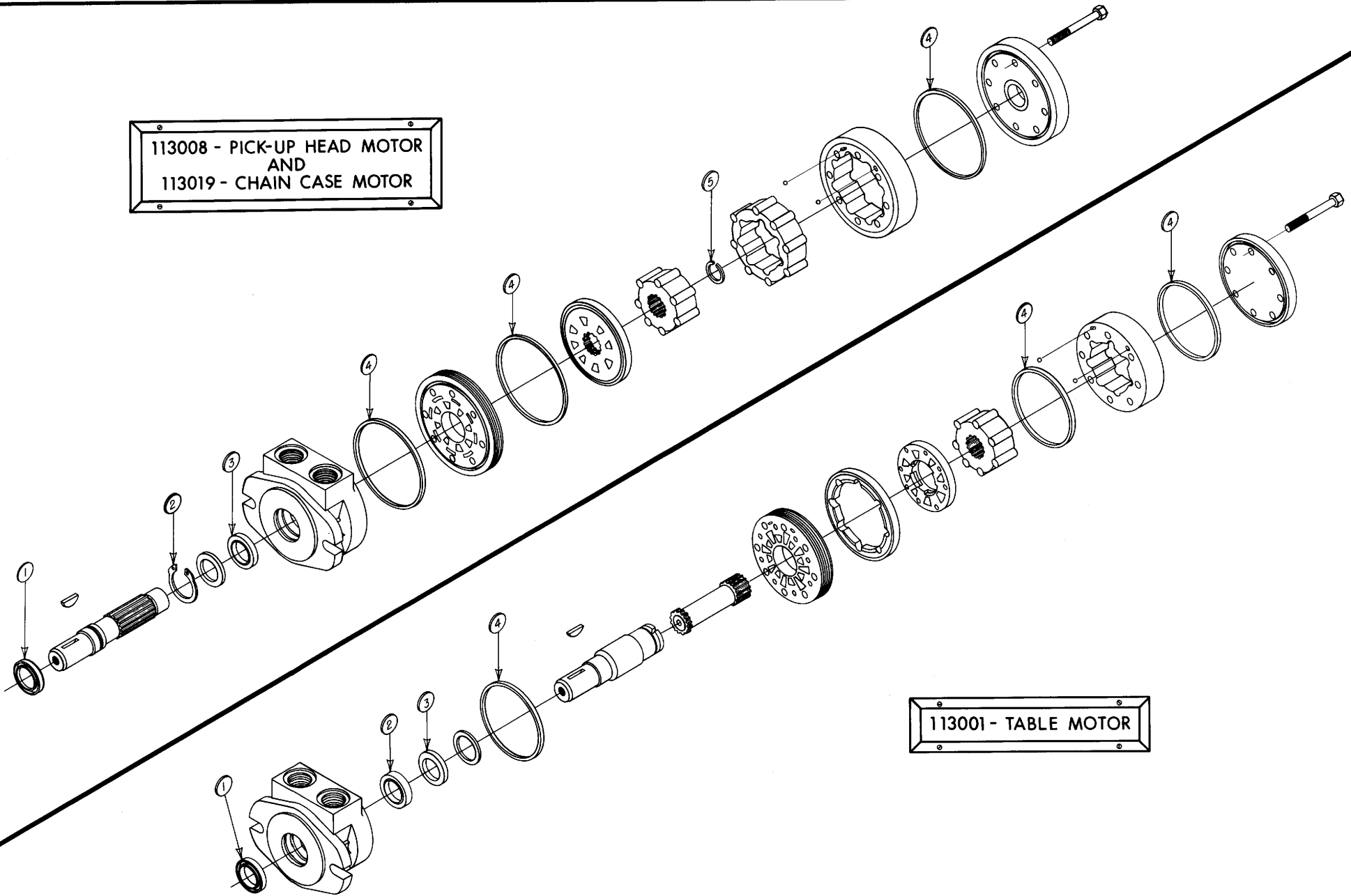
<u>Item No.</u>	<u>Part No.</u>	<u>Description</u>
A.	101003	1501-12-8
B.	101019	5404-12-8 (Upper Fitting)
	101049	2404-8-8 (Upper Fitting)
	101058	5605-8-8-8 (Upper Fitting)
B.	101038	2605-8-12-8 (Lower Fitting)
C.	101030	2501-8-12
D.	101120	6802-8-10

## Hardware List—O Ring Valves

<u>Item No.</u>	<u>Part No.</u>	<u>Description</u>
A.	101090	6901-12-8 (O-ring 90°)
B.	101071/101051	6405-12-8/5404-8-8 (Upper Fitting)
B.	101019/101058	2404-8-8/5605-8-8-8 (Upper Fitting)
B.	101146	6804-8-12-8 (O-ring Tee) (Lower Fitting)
C.	101080	6801-8-12 (O-ring 90°)
D.	101120	6802-8-10 (O-ring 45°)

NOTE: Drawing may not reflect typical assembly or features.

113008 - PICK-UP HEAD MOTOR  
AND  
113019 - CHAIN CASE MOTOR



113001 - TABLE MOTOR

## **PARKER, NICHOLS SERVICE CHART (1992)—110A Series Motors (113008 & 113019)**

### **Parts List**

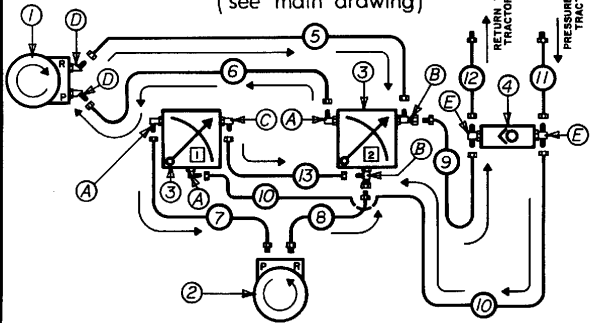
<u>Item No.</u>	<u>Part No.</u>	<u>Parker No.</u>	<u>Description</u>
1.	150044	2175	Lip Seal
2.	150045	2180	Snap Ring
3.	150046	2183	Dust Seal
4.	150047	1046	Square Cut, O-Ring Seal (3)
5.	150048	1296	Snap Ring
Not Shown	119047	2263	Complete Seal Kit

## **PARKER, NICHOLS SERVICE CHART (1992)—040-060 Series Motors (113001)**

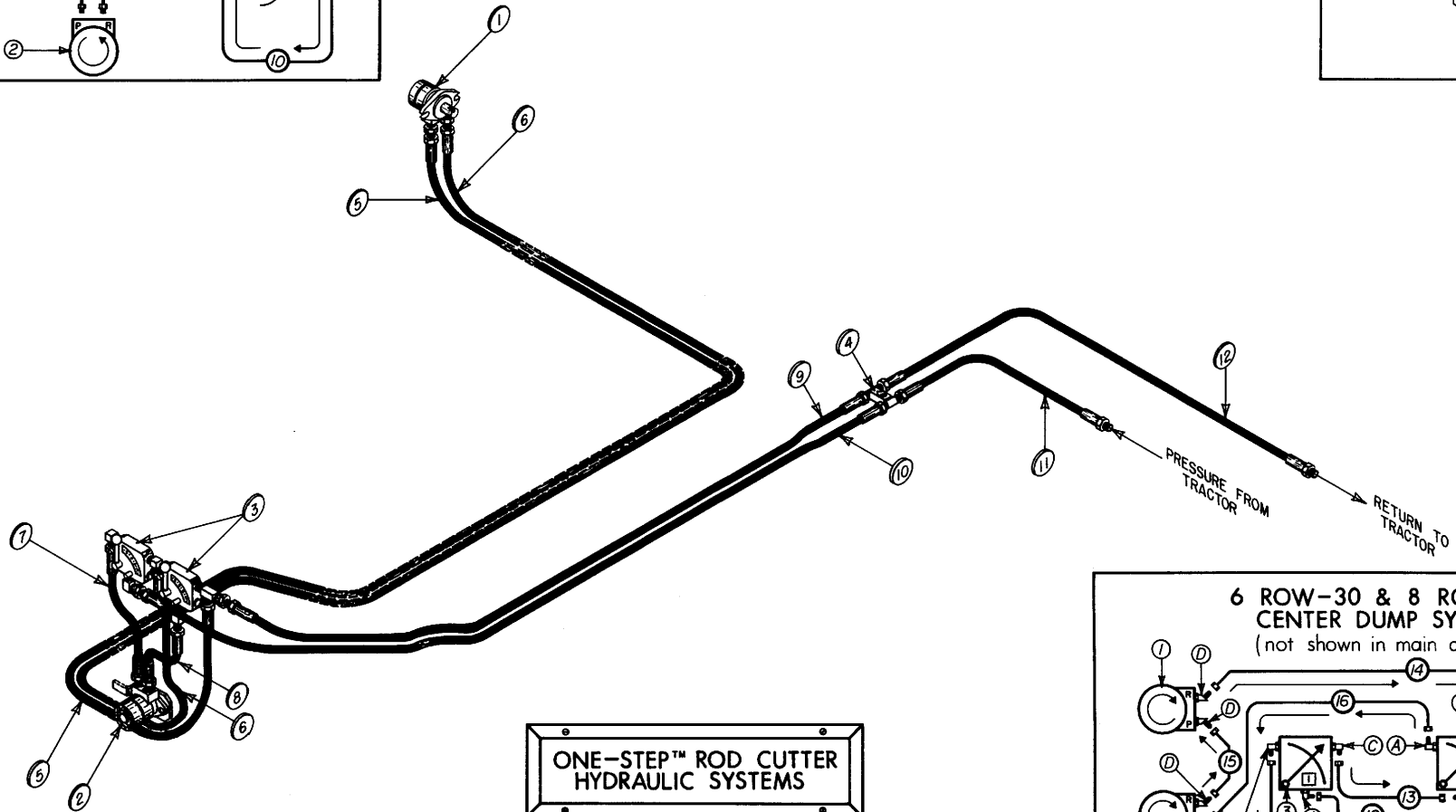
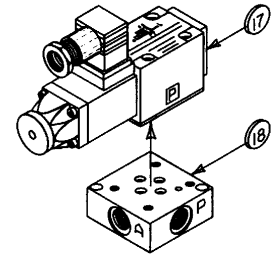
### **Parts List**

<u>Item No.</u>	<u>Part No.</u>	<u>Parker No.</u>	<u>Description</u>
1.	150044	2175	Lip Seal
2.	150049	1325	Dust Seal
3.	150050	1585	"DU" Retainer Bearing
4.	150051	1321	Square Cut, O-Ring Seal (5)
Not Shown	119048	2264	Complete Seal Kit

**6 ROW-30 & 8 ROW-22  
SEMI-END DUMP SYSTEM**  
(see main drawing)

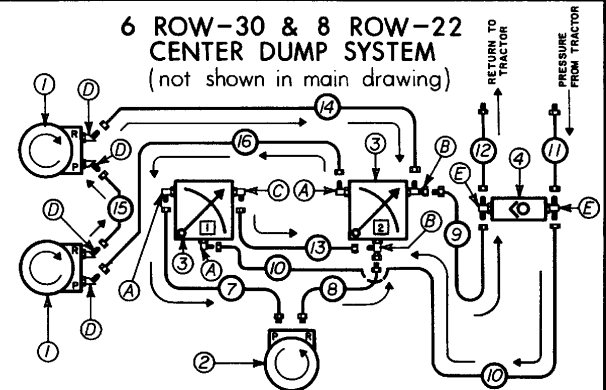


**BI-DIRECTIONAL VALVE FOR  
TRANSVERSING TRAYS**



**ONE-STEP™ ROD CUTTER  
HYDRAULIC SYSTEMS**

**6 ROW-30 & 8 ROW-22  
CENTER DUMP SYSTEM**  
(not shown in main drawing)



# ONE STEP™ ROD CUTTER HYDRAULIC SYSTEMS (1993 - 1994)

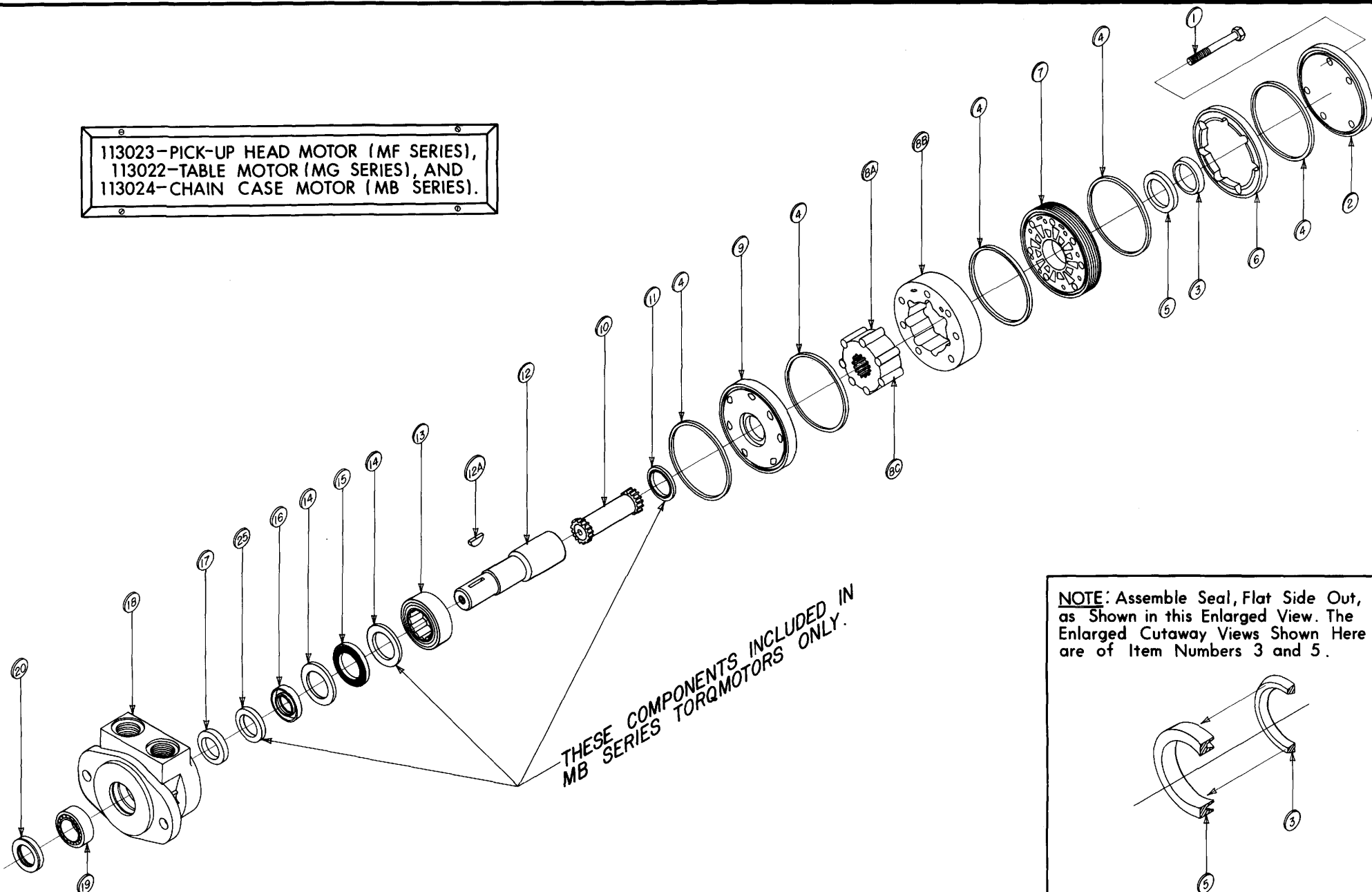
## Parts List

<u>Item No.</u>	<u>Part No.</u>	<u>Description</u>
1.	113022	Hydraulic Table Motor
2.	113023	Hydraulic Pickup Head Motor
3.	122024	Valve, Flow Control, O-Ring Style Porting
4.	122025	Valve, Check Restrictor Valve, 8-8 O-Ring
5.	108023	Table Motor Hose, Return, R108U-608608-14600
6.	108020	Table Motor Hose, Pressure, R208U-108608-14300
7.	108027	Pickup Head Motor Hose, Pressure R208U-P10108-02100
8.	108010	Pickup Head Motor Hose, Return/Pressure R208U-608P10-01700
9.	108091	Tractor Reservoir Hose, Return R11OU-608608-09600
10.	108092	Tractor Pressure Hose, Pressure R208U-108608-10200
11.	108093	Tractor Pressure Hose, Pressure R208U-108608-07200
12.	108094	Tractor Reservoir Hose, Return R11OU-608108-09800
13.	120004	½" × 90° Steel Line Pressure 800
14.	108006	Table Motor Hose, Return R108U-608608-14650
15.	108004	Table Motor Hose, Return/Pressure R208U-608608-14650
16.	108008	Table Motor Hose, Pressure R208U-108608-14450
17.	122027	Bi-directional Valve
18.	122028	Bi-directional Sub-plate

## Hardware List

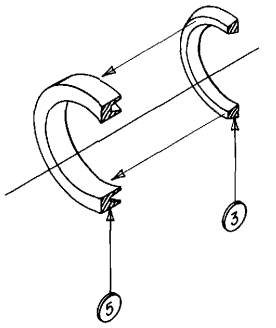
<u>Item No.</u>	<u>Part No.</u>	<u>Description</u>
A.	101090	6901-12-8, O-Ring 90°
B.	101146	6804-8-12-8, O-Ring Tee
C.	101080	6801-8-12, O-Ring 90°
D.	101120	6802-8-10, O-Ring 45°
E.	101145	6803-8-8-8, O-Ring Tee
Not Shown	101117	6500-8-8

113023-PICK-UP HEAD MOTOR (MF SERIES),  
 113022-TABLE MOTOR (MG SERIES), AND  
 113024-CHAIN CASE MOTOR (MB SERIES).



THESE COMPONENTS INCLUDED IN  
 MB SERIES TORQMOTORS ONLY.

**NOTE:** Assemble Seal, Flat Side Out,  
 as Shown in this Enlarged View. The  
 Enlarged Cutaway Views Shown Here  
 are of Item Numbers 3 and 5.





## TORQMOTOR™ SERVICE CHART—(1993) MG Series

### Parts List

<u>Item No.</u>	<u>Part No.</u>	<u>Ross No.</u>	<u>Description</u>
1.	150000	021311	Bolt (5)
2.	150001	MG016000	End Cover
3.	150002	032435	Commutator Seal
4.	150003	032821	Seal Ring (5)
5.	150004	MF018000-A1	Commutator & Ring Assembly
6.			Included with Item 5. Must be ordered as Assembly
7.	150005	MF015000	Manifold
8.	150006	MF037003	Rotor Set, (8a, 8b, 8c)
9.	150007	477341	Wear Plate
10.	150008	MF033000	Drive Link
11.	Not Needed		
12.	150009	MF019006	Coupling Shaft
13.	150010	069511	Bronze Bushing
14.	150011	028483	Thrust Washer
15.	150012	065066	Thrust Bearing
16.	150013	032377	Inner Seal
17.	150014	028516	Backup Washer
18.	150015	MF012001-A2	Housing
19.	150016	065505	"DU" Bearing
20.	150017	478306	Dirt & Water Seal

Item # 18 Includes Items: 13 & 19

Standard Seal Kit 119109 Includes Items: 4, 3, 16, 17, 20 Grease Pack and Bulletin.  
Grease Pack and Bulletin not listed.

## TORQMOTOR™ SERVICE CHART—(1993) MF Series

### Parts List

<u>Item No.</u>	<u>Part No.</u>	<u>Ross No.</u>	<u>Description</u>
1.	150018	021307	Bolt (5)
2.	150024	MF016000	End Cover
3.	150002	032435	Commutator Seal
4.	150003	032821	Seal Ring (5)
5.	150004	MF018000-A1	Commutator & Ring Assembly
6.	Included with Item 5. Must be ordered as Assembly		
7.	150005	MF015000	Manifold
8.	150019	MF087003	Rotor Set, (8a, 8b, 8c)
9.	150007	477341	Wear Plate
10.	150020	MF083000	Drive Link
11.	Not Needed		
12.	150009	MF019006	Coupling Shaft
13.	150021	069512	Needle Bushing
14.	150011	028483	Thrust Washer
15.	150012	065066	Thrust Bearing
16.	150013	032377	Inner Seal
17.	150014	028516	Backup Washer
18.	150022	MF012001-A1	Housing
19.	150023	065505	"DU" Bearing
20.	150017	478306	Dirt & Water Seal

Item # 18 Includes Items: 13 & 19

Standard Seal Kit 119109 Includes Items: 4, 3, 16, 17, 20 Grease Pack and Bulletin. Grease Pack and Bulletin not listed.

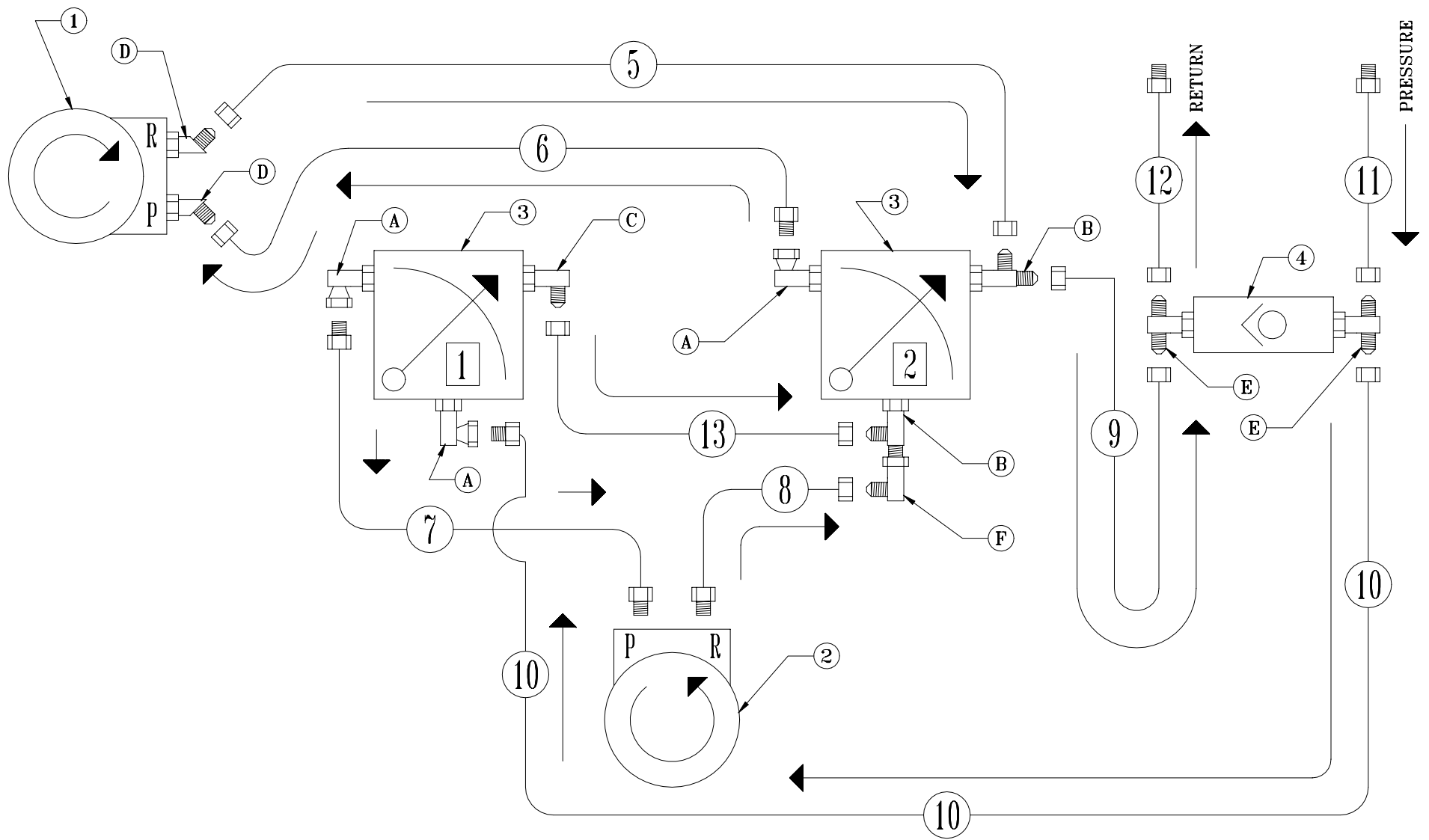
## TORQMOTOR™ SERVICE CHART—(1993) ME / MB Series

### Parts List

<u>Item No.</u>	<u>Part No.</u>	<u>Ross No.</u>	<u>Description</u>
1.	150026	021390	Bolt (7)
2.	150025	MB016000	End Cover
3.	150002	032435	Commutator Seal
4.	150027	032819	Seal Ring (5)
5.	150028	ME018000-A1	Commutator & Ring Assembly
6.	Included with Item 5. Must be ordered as Assembly		
7.	150029	MB015000	Manifold
8.	150030	MB097003	Rotor Set, (8a, 8b, 8c)
9.	150031	477340	Wear Plate
10.	150032	MB093000	Drive Link
11.	150033	068024	Thrust Bearing
12.	150034	MB019002	Coupling Shaft
13.	150035	071019	Inner Bearing
14.	150036	400136	Thrust Washer (2)
15.	150037	069017	Thrust Bearing
16.	150038	032817	Inner Seal
17.	150039	028515	Backup Washer
18.	150040	ME012006-A1	Service Housing Assembly
19.	150041	068027	Outer Bearing
20.	150042	478035	Dirt & Water Seal
21.	150043	029118	Backup Washer

Item # 18 Includes Items: 13 & 14 (2 required), 15 & 19.

Standard Seal Kit 119110 Includes Items: 4, 3, 16, 17, 20, 25 Grease Pack and Bulletin. Grease Pack and Bulletin not listed.



4 ROW-30 ONE STEP (REAR PULL)  
STANDARD SHANK & SEMI-END DUMP HYDRAULIC SYSTEM

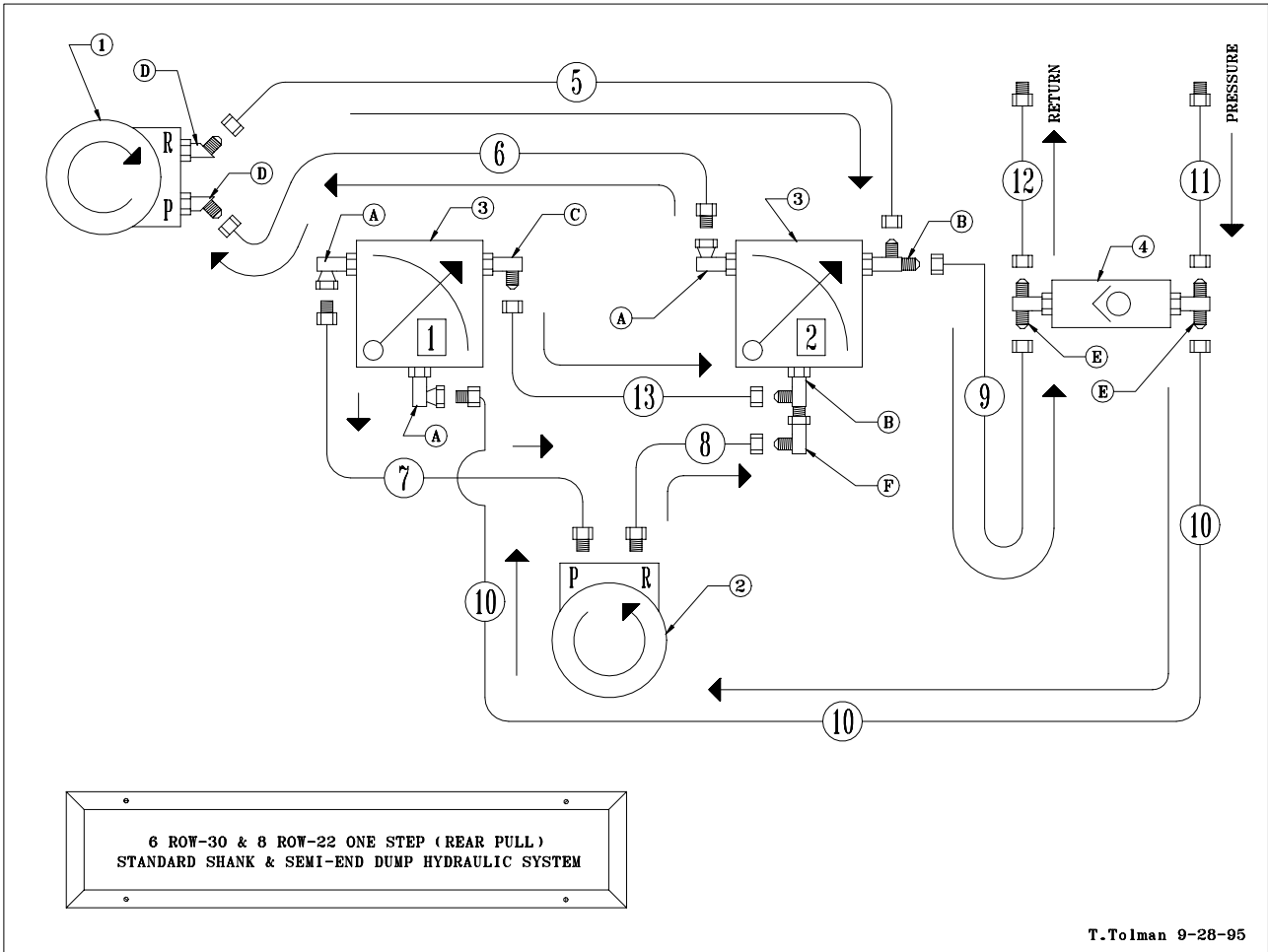
## ONE STEP™ 4 Row 30", (1995–2005) Rear Pull Hydraulic Systems – PTO Chain Case – Standard Shanks—76" Semi-end Dump Tray

### Parts List

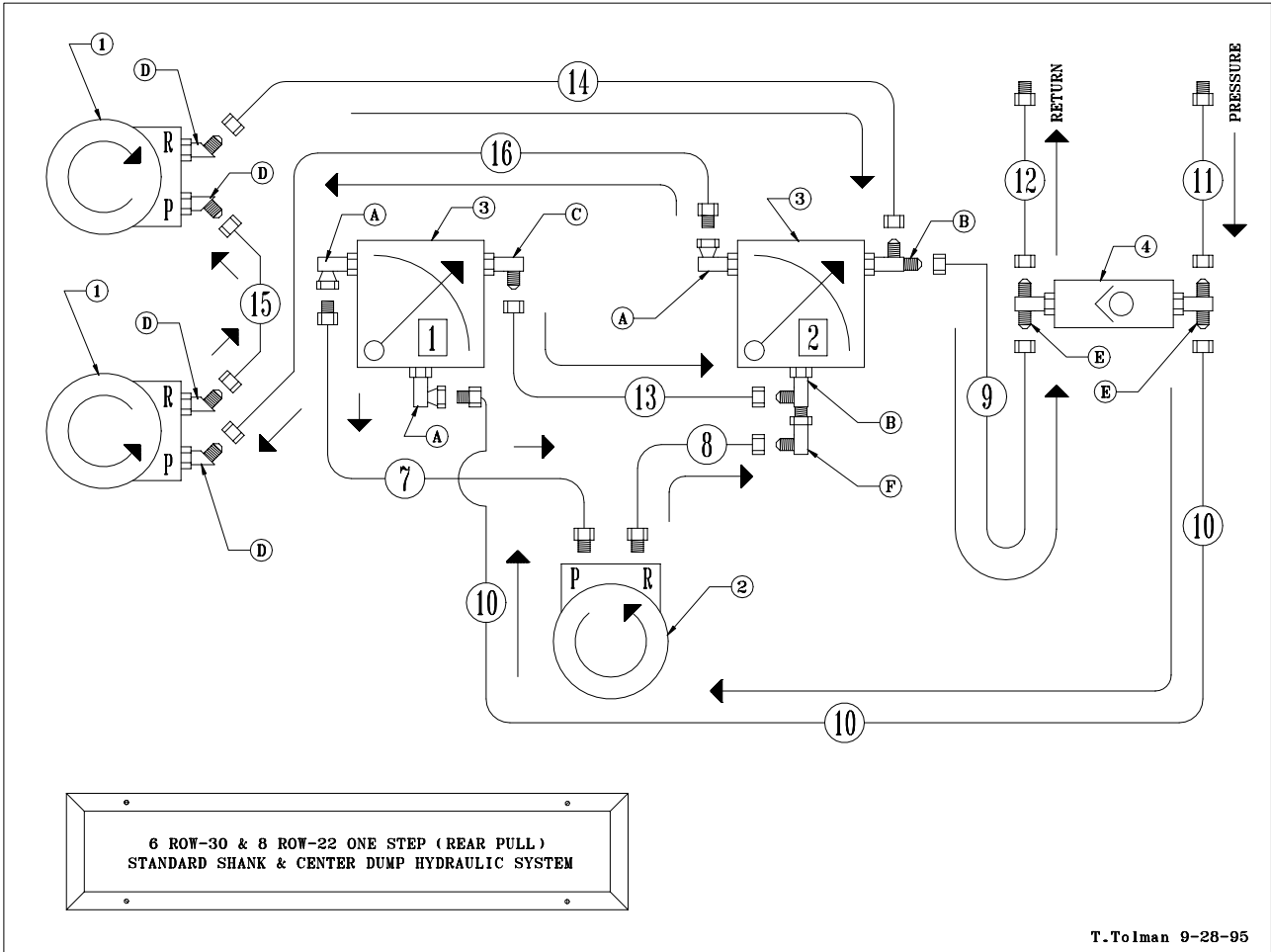
<u>Item No.</u>	<u>Part No.</u>	<u>Description</u>
1.	113022	Hydraulic Table Motor
2.	113023	Hydraulic Pickup Head Motor
3.	122024	Valve, Flow Control (O-ring style porting)
4.	122025	Valve, Check (Restrictor valve, 8-8 O-ring)
5.	108125	Table Motor Hose (Return) R108U-608608-12900
6.	108126	Table Motor Hose (Pressure) R208U-108608-12500
7.	108027	Pickup Head Motor Hose (Pressure) R208U-P10108-02100
8.	108010	Pickup Head Motor Hose (Return/Pressure) R208U-608P10-01700
9.	108124	Tractor Reservoir Hose (Return) R110U-608608-06600
10.	108093	Tractor Pressure Hose (Pressure) R208U-108608-07200
11.	108093	Tractor Pressure Hose (Pressure) R208U-108608-07200
12.	108094	Tractor Reservoir Hose (Return) R110U-608108-09000
13.	120004	½" × 90° Steel Line (Pressure) 800

### Hardware List

<u>Item No.</u>	<u>Part No.</u>	<u>Description</u>
A.	101090	6901-12-8, O-Ring 90°
B.	101146	6804-8-12-8, O-Ring Tee
C.	101080	6801-8-12, O-Ring 90°
D.	101120	6802-8-10, O-Ring 45°
E.	101145	6803-8-8-8, O-Ring Tee
F.	101117	6500-8-8, Standard 90°



T.ToIman 9-28-95



T.ToIman 9-28-95

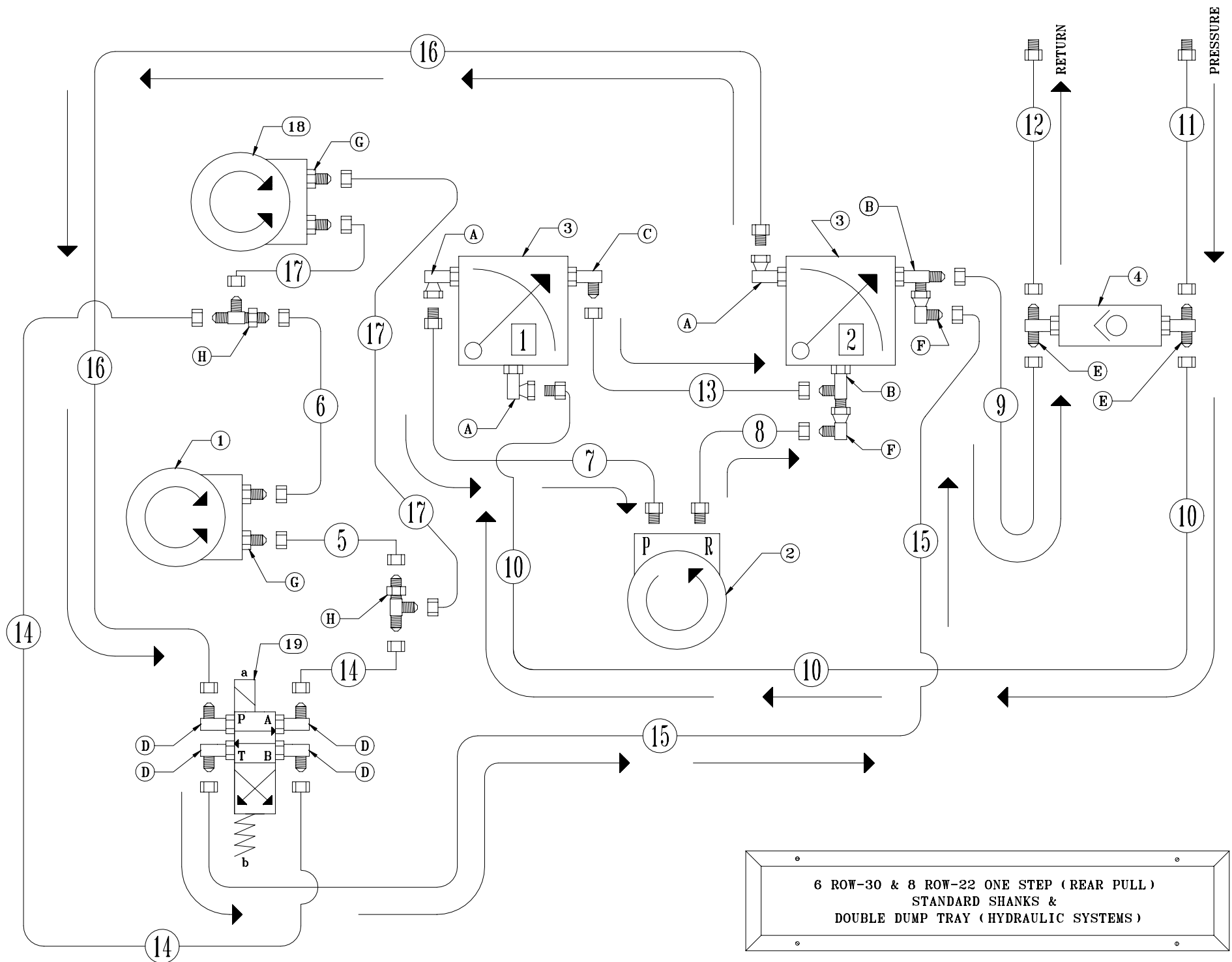
# ONE STEP™ 6 Row 30" & 8 Row 22", (1995–2005) Rear Pull Hydraulic Systems – PTO Chain Case – Standard Shanks—58" Center Dump Tray—118" Semi-end Dump Tray

## Parts List

<u>Item No.</u>	<u>Part No.</u>	<u>Description</u>
1.	113022	Hydraulic Table Motor
2.	113023	Hydraulic Pickup Head Motor
3.	122024	Valve, Flow Control (O-ring style porting)
4.	122025	Valve, Check (Restrictor valve, 8-8 O-ring)
5.	108023	Table Motor Hose (Return) R108U-608608-14600
6.	108020	Table Motor Hose (Pressure) R208U-108608-14300
7.	108027	Pickup Head Motor Hose (Pressure) R208U-P10108-02100
8.	108010	Pickup Head Motor Hose (Return/Pressure) R208U-608P10-01700
9.	108091	Tractor Reservoir Hose (Return) R110U-608608-09600
10.	108092	Tractor Pressure Hose (Pressure) R208U-108608-10200
11.	108093	Tractor Pressure Hose (Pressure) R208U-108608-07200
12.	108094	Tractor Reservoir Hose (Return) R110U-608108-09000
13.	120004	½" × 90° Steel Line (Pressure) 800
14.	108006	Table Motor Hose (Return) R108U-608608-20800
15.	108004	Table Motor Hose (Return/Pressure) R208U-608608-14650
16.	108008	Table Motor Hose (Pressure) R208U-108608-14450

## Hardware List

<u>Item No.</u>	<u>Part No.</u>	<u>Description</u>
A.	101090	6901-12-8, O-Ring 90°
B.	101146	6804-8-12-8, O-Ring Tee
C.	101080	6801-8-12, O-Ring 90°
D.	101120	6802-8-10, O-Ring 45°
E.	101145	6803-8-8-8, O-Ring Tee
F.	101117	6500-8-8, Standard 90°





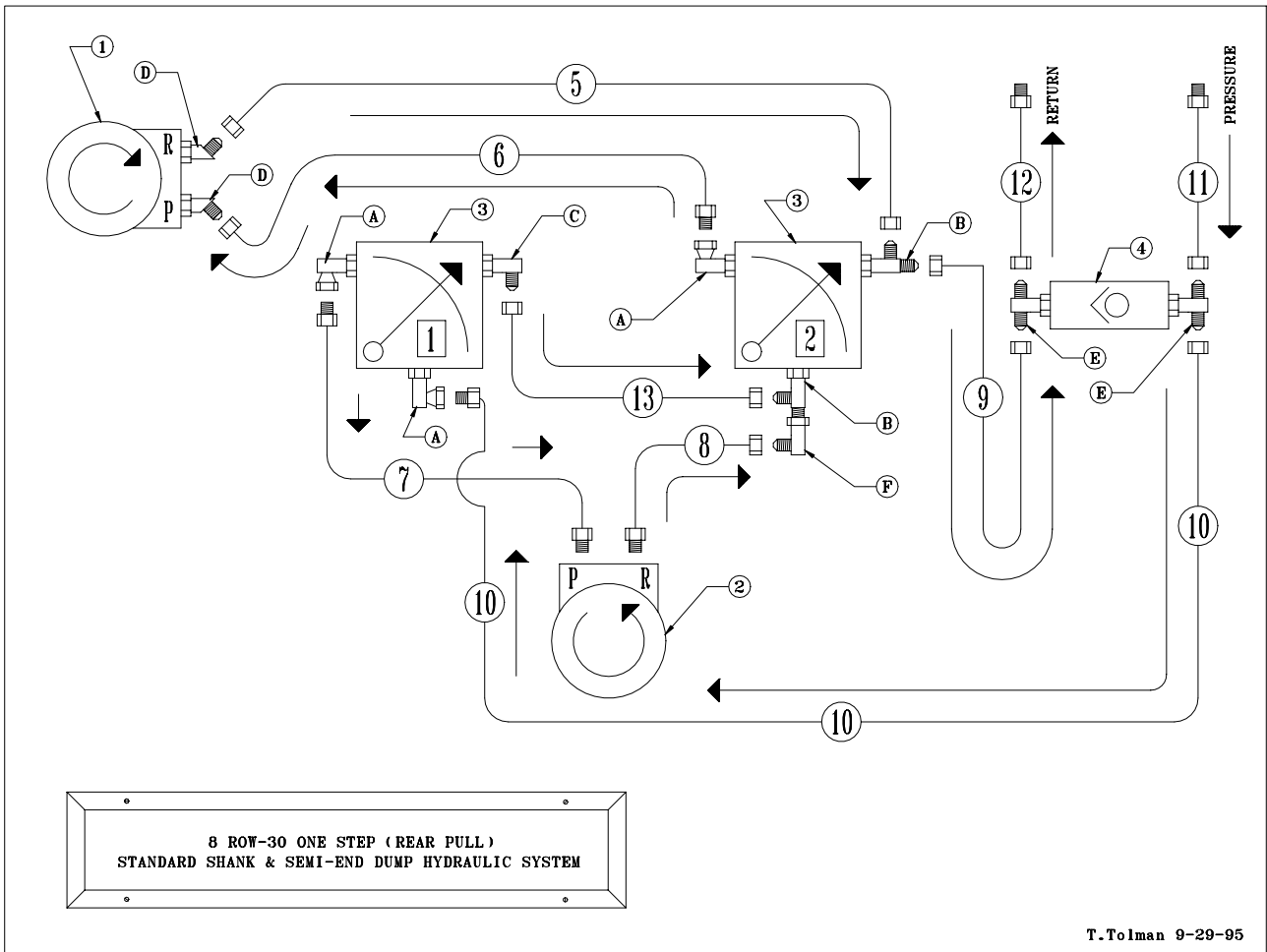
# ONE STEP™ 6 Row 30" & 8 Row 22", (1995–2005) Rear Pull Hydraulic Systems – PTO Chain Case – Standard Shanks—118" Double Dump Tray

## Parts List

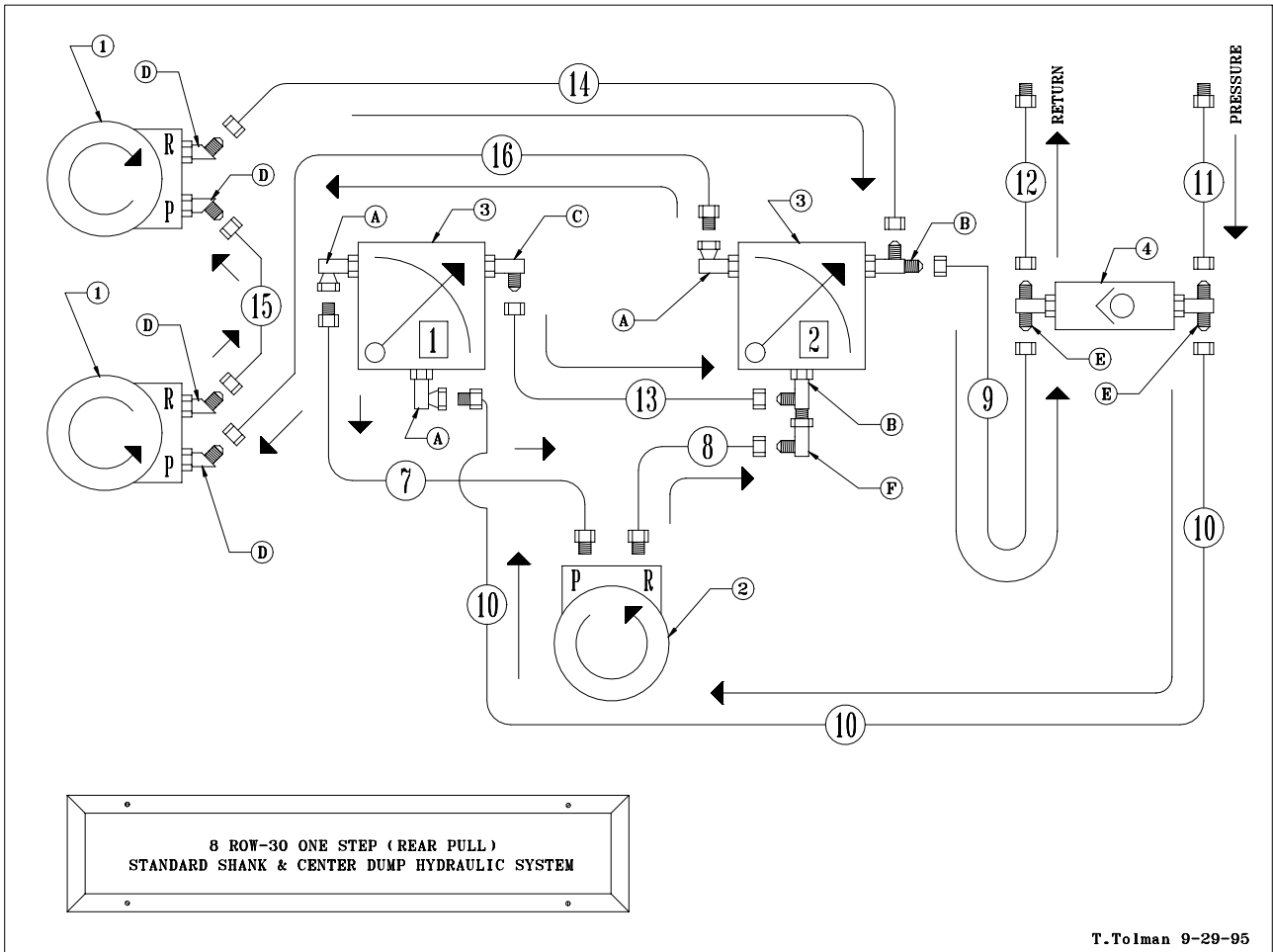
<u>Item No.</u>	<u>Part No.</u>	<u>Description</u>
1.	113022	Hydraulic Table Motor
2.	113023	Hydraulic Pickup Head Motor
3.	122024	Valve, Flow Control (O-ring style porting)
4.	122025	Valve, Check (Restrictor valve, 8-8 O-ring)
5.	108116	Table Motor Hose (Return/Pressure) R208U-648608-07350
6.	108117	Table Motor Hose (Return/Pressure) R208U-668608-07050
7.	108027	Pickup Head Motor Hose (Pressure) R208U-P10108-02100
8.	108010	Pickup Head Motor Hose (Return/Pressure) R208U-608P10-01700
9.	108091	Tractor Reservoir Hose (Return) R110U-608608-09600
10.	108092	Tractor Pressure Hose (Pressure) R208U-108608-10200
11.	108093	Tractor Pressure Hose (Pressure) R208U-108608-07200
12.	108094	Tractor Reservoir Hose (Return) R110U-608108-09000
13.	120004	½" x 90° Steel Line (Pressure) 800
14.	108004	Directional Valve Hose (Return) R208U-608608-14650
15.	108122	Directional Valve Hose (Return) R108U-608608-02100
16.	108142	Directional Valve Hose (Pressure) R208U-108608-02800
17.	108143	Transversing Motor Hose (Return/Pressure) R208U-608608-05000
18.	113023	Hydraulic Transversing Motor
19.	122027	Bi-Directional Valve
20.	122028	Bi-Directional Valve Sub-Plate (Not Shown)

## Hardware List

<u>Item No.</u>	<u>Part No.</u>	<u>Description</u>
A.	101090	6901-12-8, O-Ring 90°
B.	101146	6804-8-12-8, O-Ring Tee
C.	101080	6801-8-12, O-Ring 90°
D.	101154	6801-8-6, O-Ring 90°
E.	101145	6803-8-8-8, O-Ring Tee
F.	101117	6500-8-8, Standard 90°
G.	101064	6400-8-10, O-Ring Straight
H.	101042	2704-8-8-8, Bulkhead Tee



T.Tolman 9-29-95



T.Tolman 9-29-95

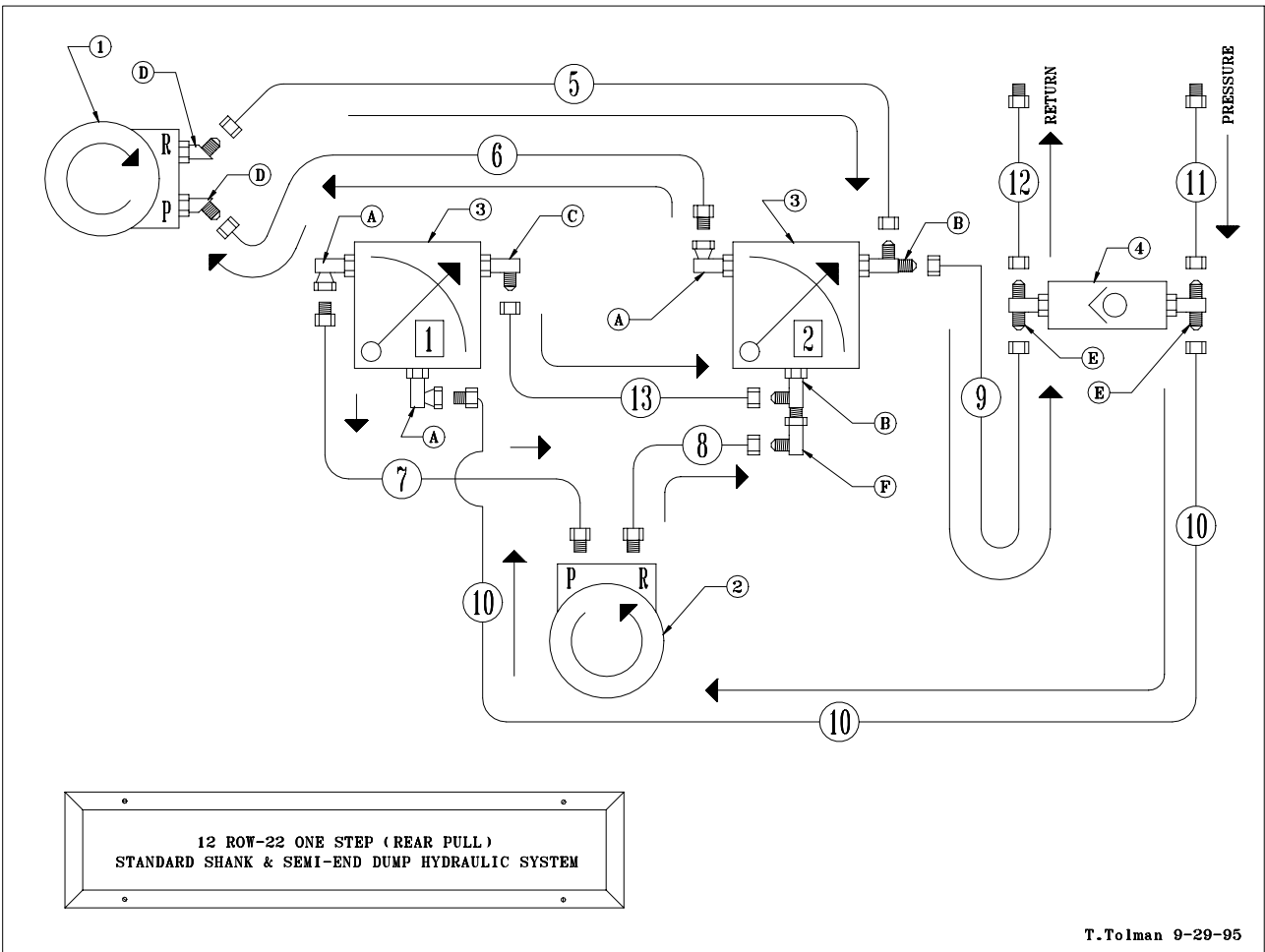
## ONE STEP™ 8 Row 30", (1995–2005) Rear Pull Hydraulic Systems – PTO Chain Case – Standard Shanks—88" Center Dump Tray— 178" Semi-end Dump Tray—118" & 58" Offset Center Dump Tray

### Parts List

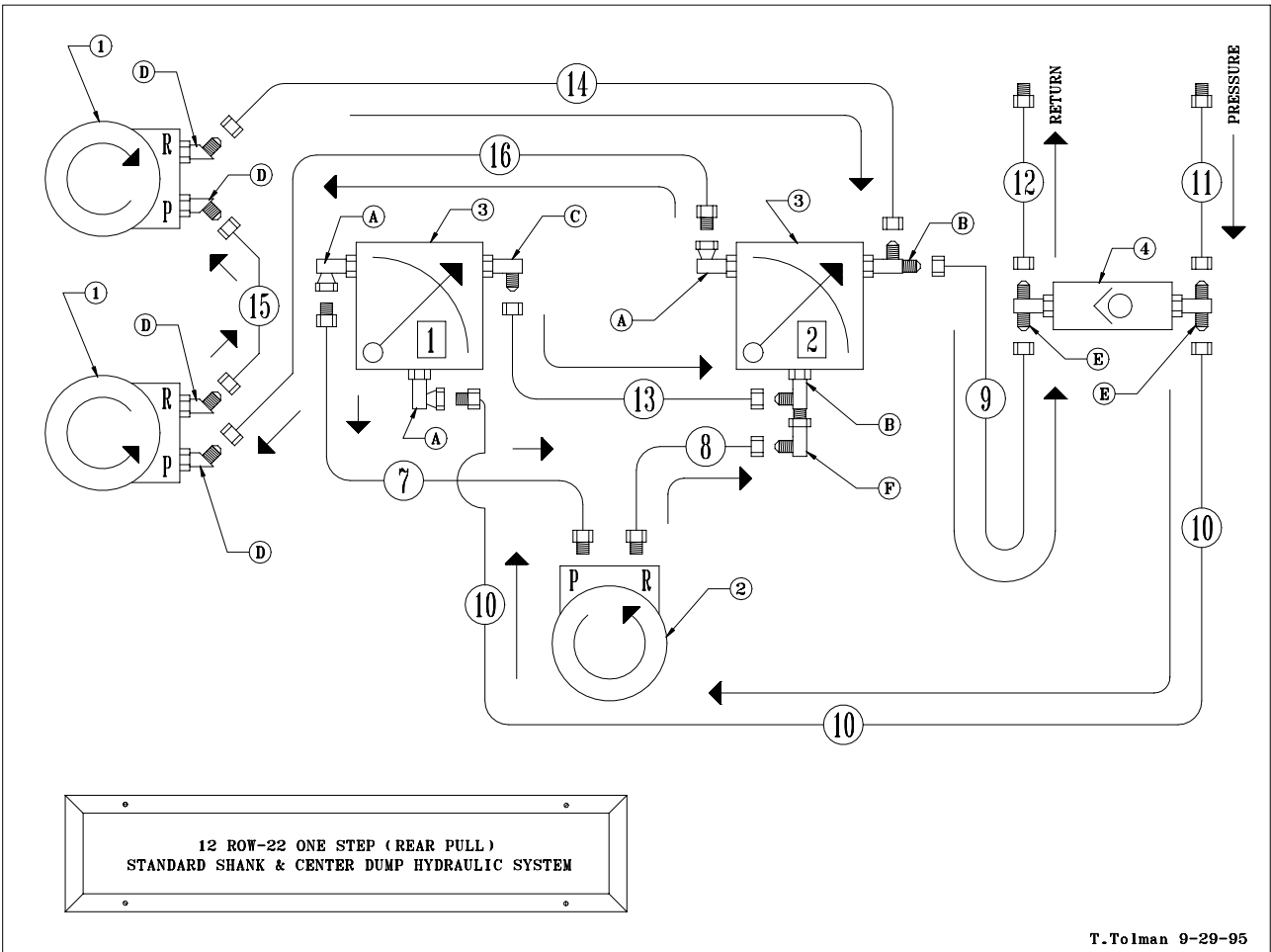
<u>Item No.</u>	<u>Part No.</u>	<u>Description</u>
1.	113022	Hydraulic Table Motor
2.	113023	Hydraulic Pickup Head Motor
3.	122024	Valve, Flow Control (O-ring style porting)
4.	122025	Valve, Check (Restrictor valve, 8-8 O-ring)
5.	108023	Table Motor Hose (Return) R108U-608608-14600
6.	108020	Table Motor Hose (Pressure) R208U-108608-14300
7.	108027	Pickup Head Motor Hose (Pressure) R208U-P10108-02100
8.	108010	Pickup Head Motor Hose (Return/Pressure) R208U-608P10-01700
9.	108114	Tractor Reservoir Hose (Return) R110U-608608-12600
10.	108079	Tractor Pressure Hose (Pressure) R208U-108608-13200
11.	108093	Tractor Pressure Hose (Pressure) R208U-108608-07200
12.	108094	Tractor Reservoir Hose (Return) R110U-608108-09000
13.	120004	½" × 90° Steel Line (Pressure) 800
14.	108129	(88" Center Dump) Table Motor Hose (Return) R108U-608608-23800
14a.	108006	(118" & 58" Offset CD) Table Motor Hose (Return) R108U-608608-20800
15.	108004	Table Motor Hose (Return/Pressure) R208U-608608-14650
16.	108130	(88" Center Dump) Table Motor Hose (Pressure) R208U-108608-17400
16a.	108008	(118" & 58" Offset CD) Table Motor Hose (Pressure) R208U-108608-14450

### Hardware List

<u>Item No.</u>	<u>Part No.</u>	<u>Description</u>
A.	101090	6901-12-8, O-Ring 90°
B.	101146	6804-8-12-8, O-Ring Tee
C.	101080	6801-8-12, O-Ring 90°
D.	101120	6802-8-10, O-Ring 45°
E.	101145	6803-8-8-8, O-Ring Tee
F.	101117	6500-8-8, Standard 90°



T.Tolman 9-29-95



T.Tolman 9-29-95

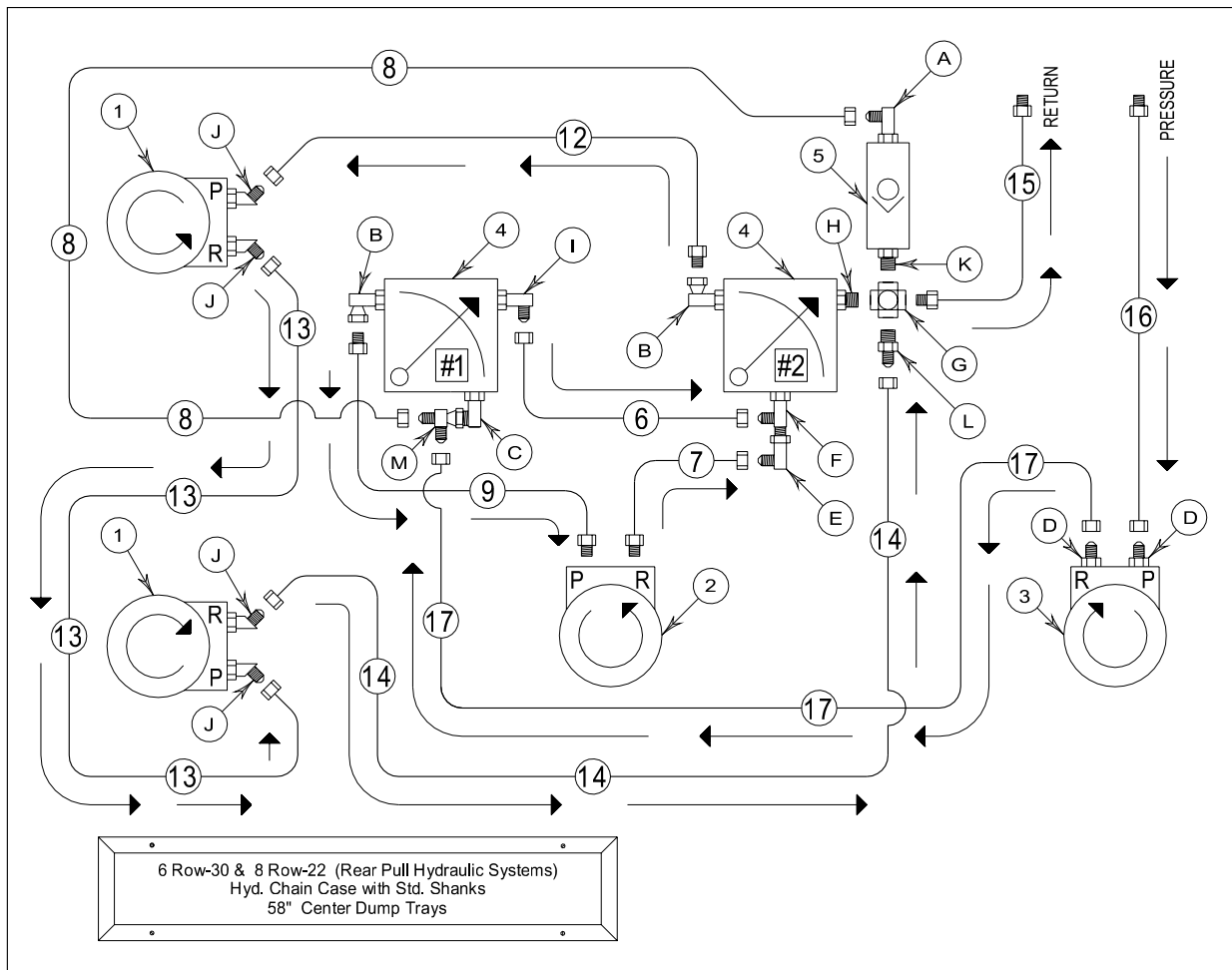
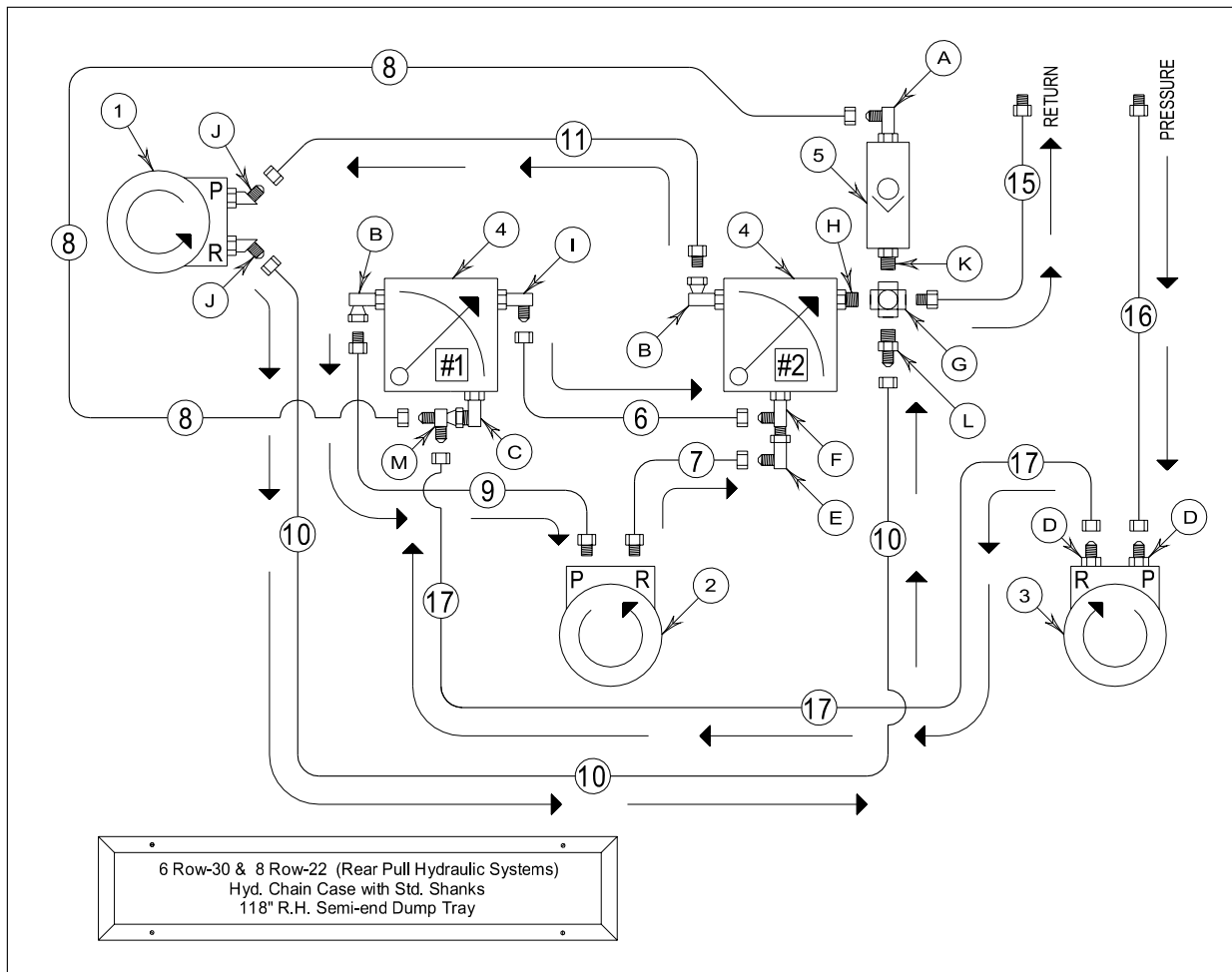
# ONE STEP™ 12 Row 22", (1995–2005) Rear Pull Hydraulic Systems—PTO Chain Case—Standard Shanks —88" Center Dump Tray—178" Semi-end Dump Tray

## Parts List

<u>Item No.</u>	<u>Part No.</u>	<u>Description</u>
1.	113022	Hydraulic Table Motor
2.	113023	Hydraulic Pickup Head Motor
3.	122024	Valve, Flow Control (O-ring style porting)
4.	122025	Valve, Check (Restrictor valve, 8-8 O-ring)
5.	108134	Table Motor Hose (Return) R208U-608608-17000
6.	108133	Table Motor Hose (Pressure) R208U-108608-16700
7.	108027	Pickup Head Motor Hose (Pressure) R208U-P10108-02100
8.	108010	Pickup Head Motor Hose (Return/Pressure) R208U-608P10-01700
9.	108131	Tractor Reservoir Hose (Return) R110U-608608-13800
10.	108008	Tractor Pressure Hose (Pressure) R208U-108608-14450
11.	108093	Tractor Pressure Hose (Pressure) R208U-108608-07200
12.	108094	Tractor Reservoir Hose (Return) R110U-608108-09000
13.	120004	½" × 90° Steel Line (Pressure) 800
14.	108132	Table Motor Hose (Return) R108U-608608-26200
15.	108134	Table Motor Hose (Return/Pressure) R208U-608608-17000
16.	108130	Table Motor Hose (Pressure) R208U-108608-17400

## Hardware List

<u>Item No.</u>	<u>Part No.</u>	<u>Description</u>
A.	101090	6901-12-8, O-Ring 90°
B.	101146	6804-8-12-8, O-Ring Tee
C.	101080	6801-8-12, O-Ring 90°
D.	101120	6802-8-10, O-Ring 45°
E.	101145	6803-8-8-8, O-Ring Tee
F.	101117	6500-8-8, Standard 90°



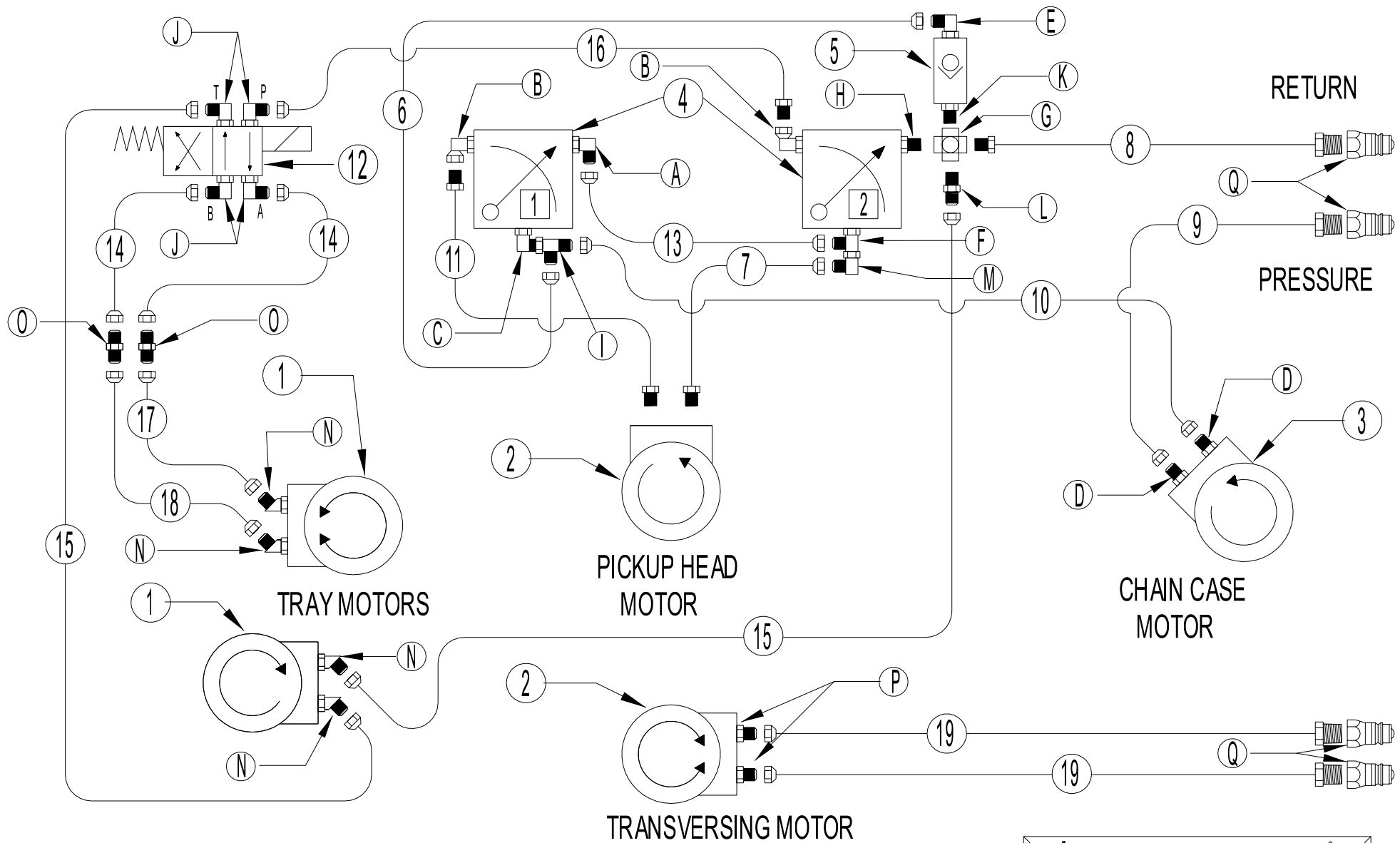
# ONE STEP™ 6 Row 30 & 8 Row 22 (1995–2010) Rear Pull Hydraulic Systems Hyd. Chain Case with Standard Shanks Chain Case R.H. Outside & Behind L.R. Tractor Tire 118" R.H. Semi-end Dump Tray & 58" Center Dump Trays

## Parts List

<u>Item No.</u>	<u>Part No.</u>	<u>Description</u>
1.	113022	Hydraulic Table Motor
2.	113023	Hydraulic Pickup Head Motor
2a.	119109	Seal Kit for Items 1 & 2
3.	113030	Hyd. Chain Case Motor
3a.	119110	Seal Kit for Item 3
4.	122024	Valve, Flow Control
5.	122025	Valve, Check
6.	120004	½" x 90° Steel Line
7.	108010	Pickup Head Motor Hose (Return/Pressure) 8M2T-8FJX10MB-01700
8.	108098	Check Valve to Flow Control Hose (Pressure) 8M2T-8FJX12FJX-02400
9.	108027	Pickup Head Motor Hose (Pressure) 8M2T-10MB8MP-02100
10.	108023	Table Motor Hose (Return/Pressure) 8M2T-8FJX8FJX-14600
11.	108020	Table Motor Hose (Pressure) 8M2T-8MP8FJX-14300
12.	108008	Table Motor Hose (Pressure) 8M2T-8MP8FJX-14450
13.	108004	Table Motor Hose (Pressure/Return) 8M2T-8FJX8FJX-14650
14.	108006	Table Motor Hose (Return) 8M2T-8FJX8FJX-20800
15.	108071	Tractor Reservoir Hose (Return) 12M2T-12MP8MP-19175
16.	108166	Chain Case R.H. End - Inlet Hose 12M2T-8MP12FJX45S-15800
16a.	108158	6-30" or 8-22" Chain Case L.R. Tire - Inlet Hose 12M2T-8MP12FJX45S-09800
17.	108138	Chain Case R.H. End - Outlet Hose R212U-612692-04000
17a.	108164	6-30" Chain Case L.R. Tire - Outlet Hose R212U-612692-15800
17b.	108169	8-22" Chain Case L.R. Tire - Outlet Hose R212U-612692-17000

## Hardware List

<u>Item No.</u>	<u>Part No.</u>	<u>Description</u>
A.	101081	6801-8-8, O-Ring 90°
B.	101090	6901-12-8, O-Ring 90°
C.	101148	6801-12-12, O-Ring 90°
D.	101061	6400-12-10, O-Ring Straight
E.	101117	6500-8-8, Standard 90°
F.	101146	6804-8-12-8, O-Ring Tee
G.	101059	5652-12-12-12-12, Standard Cross
H.	101067	6401-12-12, O-Ring Straight
I.	101080	6801-8-12, O-Ring 90°
J.	101120	6802-8-10, O-Ring 45°
K.	101018	2404-8-12, Standard Straight (with #8, O-Ring)
L.	101018	2404-8-12, Standard Straight (without O-Ring)
M.	101149	6602-12-12-12, Standard Tee



6 Row-30 or 8 Row-22 - Standard Shanks - with Chain Case behind R.R. or L.R. Tractor tires - 58" Center-Semi End Dump



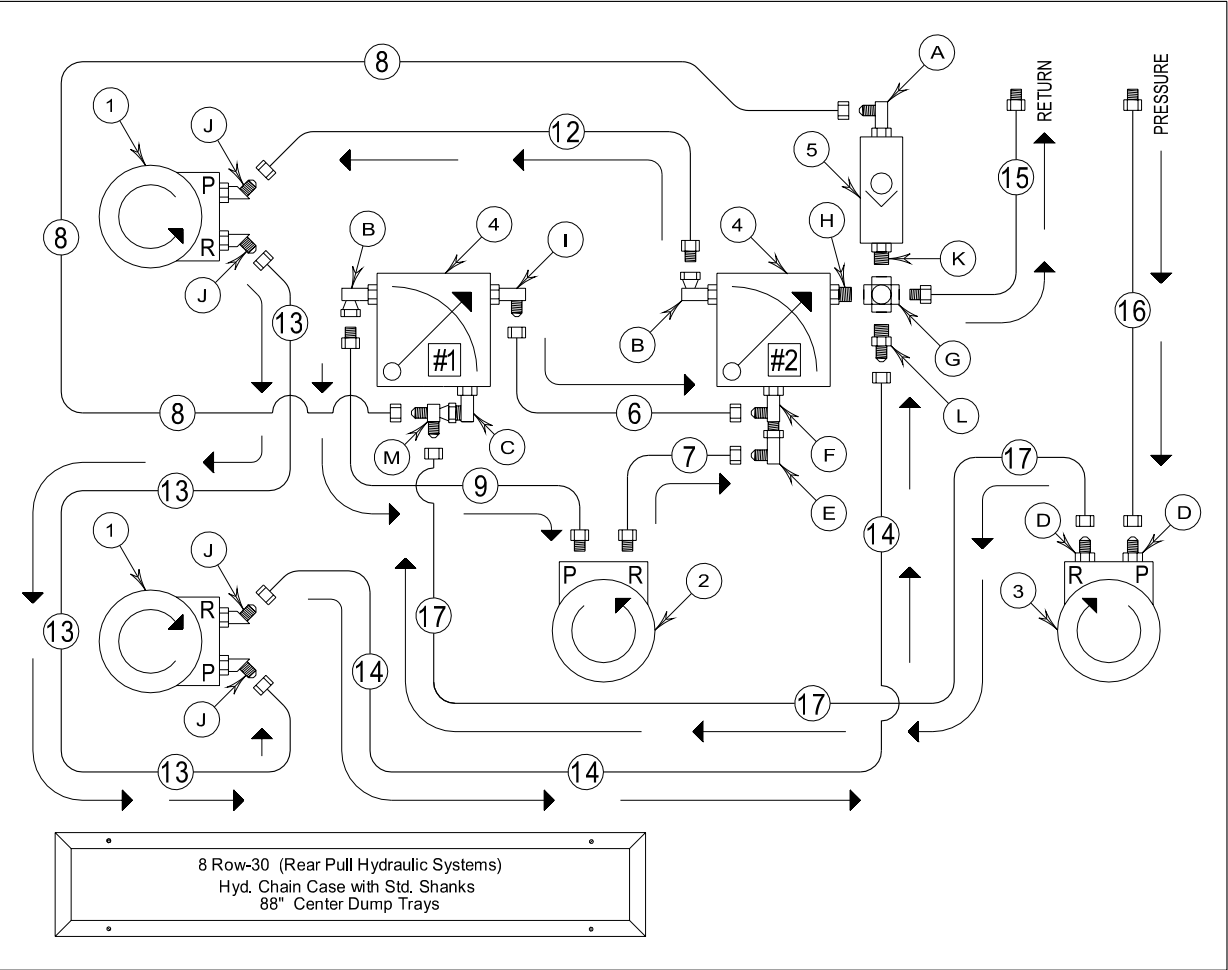
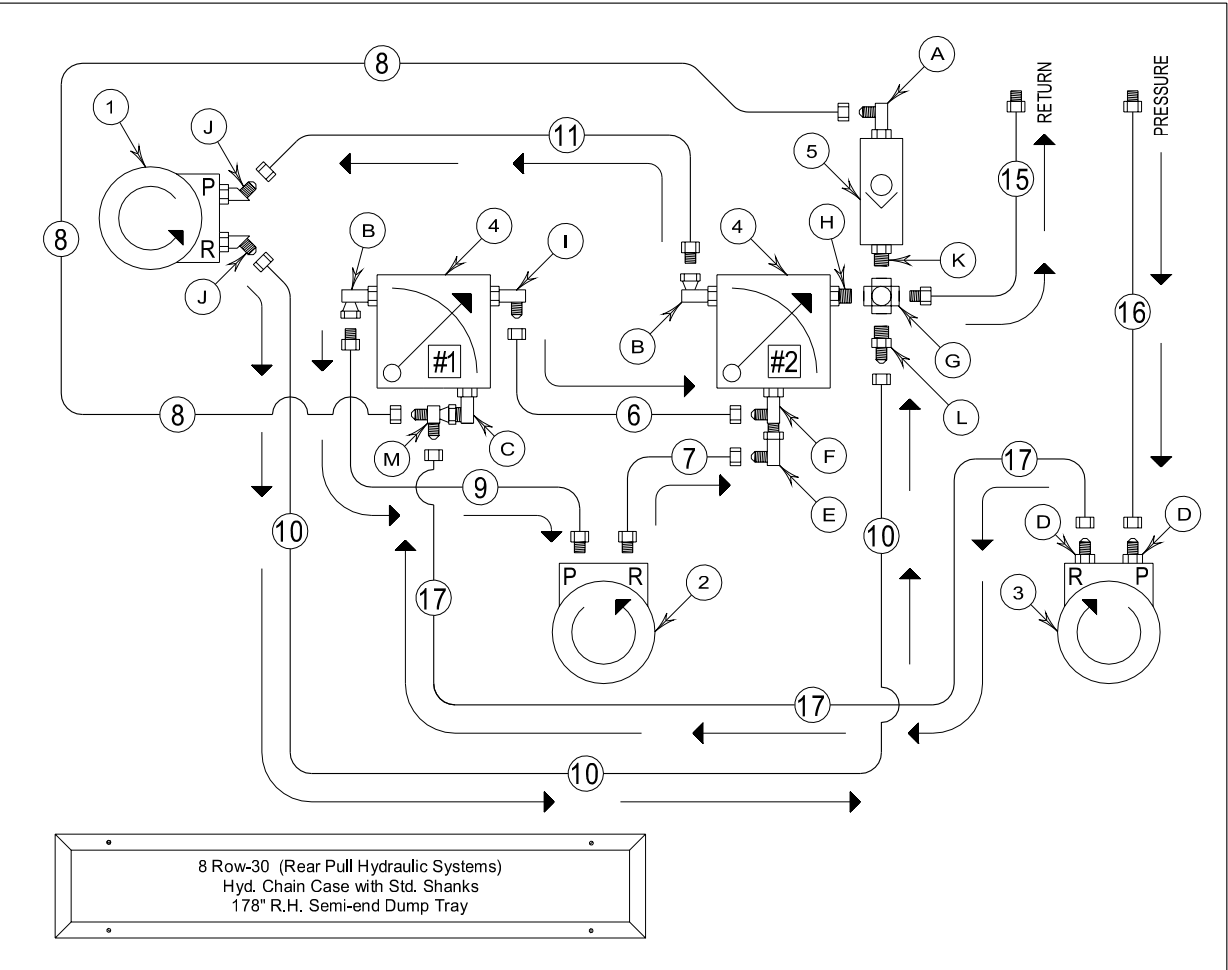
# ONE STEP™ 6 Row 30" or 8 Row 22" – Standard Shanks – Hydraulic Chain Case behind R.R. or L.R. Tractor tires – 58" Center Semi-End Dump (1995-2010)

## Parts List

<u>Item No.</u>	<u>Part No.</u>	<u>Description</u>
1.	113022	Hydraulic Table Motor
2.	113023	Hydraulic Pickup Head Motor
2a.	119109	Seal Kit for Items 1 & 2
3.	113030	Hyd. Chain Case Motor
3a.	119110	Seal Kit for Item 3
4.	122024	Valve, Flow Control
5.	122025	Valve, Check
6.	108098	Check Valve to Flow Control Hose 8M2T-8FJX12FJX-02400
7.	108010	Pickup Head Hose (Return) 8M2T-8FJX10MB-01700
8.	108071	Tractor Reservoir Hose (Return) 12M2T-8MP12MP-19175
9a.	108158	6-30s & 8-22 with Chain Case Behind L.R. Tire (Pressure) 12M2T-8MP12FJX45s-09800
9b.	108156	8-22 with Chain Case Behind R.R. Tire (Pressure) 12M2T-8MP12FJX45s-11400
10a.	108159	6-30 with Chain Case Behind R.R. Tire (Return/Pressure) 12M2T-12FJX 12FJX45s-09800
10b.	108164	6-30 with Chain Case Behind L.R. Tire (Return/Pressure) 12M2T-12FJX 12FJX45s-15800
10c.	108157	8-22 with Chain Case Behind R.R. Tire (Return/Pressure) 12M2T-12FJX 12FJX45s-08200
10d.	108169	8-22 with Chain Case Behind L.R. Tire (Return/Pressure) 12M2T-12FJX 12FJX45s-17000
11.	108027	Pickup Head Hose (Pressure) 8M2T-10MB8MP-02100
12.	122027	Directional Valve
13.	120004	½" × 90° Steel Line (Pressure) 800
14.	108004	Tray Hose (Return/Pressure) 8M2T-8FJX8FJX-14650 (2 Required)
15.	108006	Tray Hose (Return) 8M2T-8FJX8FJX-20800 (2 Required)
16.	108142	Flow Control to Directional Valve (Pressure) 8M2T-8MP8FJX-02800
17.	108216	Tray Hose (Return/Pressure) 8M2T-8FJX8FJX-08200
18.	108217	Tray Hose (Return/Pressure) 8M2T-8FJX8FJX-08600
19.	108218	Transversing Motor Hose 6M2T-8MP8FJX-32000 (2 Required)

## Hardware List

<u>Item No.</u>	<u>Part No.</u>	<u>Description</u>
A.	101080	6801-8-12, O-Ring 90°
B.	101090	6901-12-8, O-Ring 90°
C.	101148	6801-12-12, O-Ring 90°
D.	101061	6400-12-10, O-Ring Straight
E.	101081	6801-8-8, O-Ring 90°
F.	101146	6804-8-12-8, O-Ring Tee
G.	101059	5652-12-12-12-12, Standard Cross
H.	101067	6401-12-12, O-Ring Straight
I.	101149	6602-12-12-12, Standard Tee
J.	101154	6801-8-6, O-Ring 90°
K.	101018	2404-8-12, Standard Straight (with # 8, O-Ring)
L.	101018	2404-8-12, Standard Straight (without O-Ring)
M.	101117	6500-8-8, Standard 90°
N.	101120	6802-8-10, O-Ring 45°
O.	101041	2700-8-8, Bulkhead Straight
P.	101064	6400-8-10, O-Ring Straight
Q.	101160	Male Quick Coupler



# ONE STEP™ 8 Row 30 (1995–2010) Rear Pull Hydraulic Systems Hyd. Chain Case with Standard Shanks (Chain Case behind R.R. or L.R. tractor tire) 178” R.H. Semi-end Dump Tray & 88” Center Dump Trays

## Parts List

<u>Item No.</u>	<u>Part No.</u>	<u>Description</u>
1.	113022	Hydraulic Table Motor
2.	113023	Hydraulic Pickup Head Motor
2a.	119109	Seal Kit for Items 1 & 2
3.	113030	Hyd. Chain Case Motor
3a.	119110	Seal Kit for Item 3
4.	122024	Valve, Flow Control
5.	122025	Valve, Check
6.	120004	½” × 90° Steel Line
7.	108010	Pickup Head Motor Hose (Return/Pressure) 8M2T-8FJX10MB-01700
8.	108098	Check Valve to Flow Control Hose (Pressure) 8M2T-8FJX12FJX-02400
9.	108027	Pickup Head Motor Hose (Pressure) 8M2T-10MB8MP-02100
10.	108023	Table Motor Hose (Return/Pressure) 8M2T-8FJX8FJX-14600
11.	108020	Table Motor Hose (Pressure) 8M2T-8MP8FJX-14300
12.	108130	Table Motor Hose (Pressure) 8M2T-8MP8FJX-17400
13.	108004	Table Motor Hose (Pressure/Return) 8M2T-8FJX8FJX-14650
14.	108129	Table Motor Hose (Return) 8M2T-8FJX8FJX-23800
15.	108127	Tractor Reservoir Hose (Return) 12M2T-12MP8MP-22200
16.	108158	Tractor Pressure Inlet Hose (Pressure) 12M2T-8MP12FJX45S-09800
17.	108168	8-30” Chain Case R.R. Tire - Outlet Hose 12M2T-12FJX12FJX45S-12800
17a.	108165	8-30” Chain Case L.R. Tire - Outlet Hose 12M2T-12FJX12FJX45S-18800

## Hardware List

<u>Item No.</u>	<u>Part No.</u>	<u>Description</u>
A.	101081	6801-8-8, O-Ring 90°
B.	101090	6901-12-8, O-Ring 90°
C.	101148	6801-12-12, O-Ring 90°
D.	101061	6400-12-10, O-Ring Straight
E.	101117	6500-8-8, Standard 90°
F.	101146	6804-8-12-8, O-Ring Tee
G.	101059	5652-12-12-12-12, Standard Cross
H.	101067	6401-12-12, O-Ring Straight
I.	101080	6801-8-12, O-Ring 90°
J.	101120	6802-8-10, O-Ring 45°
K.	101018	2404-8-12, Standard Straight (with #8, O-Ring)
L.	101018	2404-8-12, Standard Straight (without O-Ring)
M.	101149	6602-12-12-12, Standard Tee



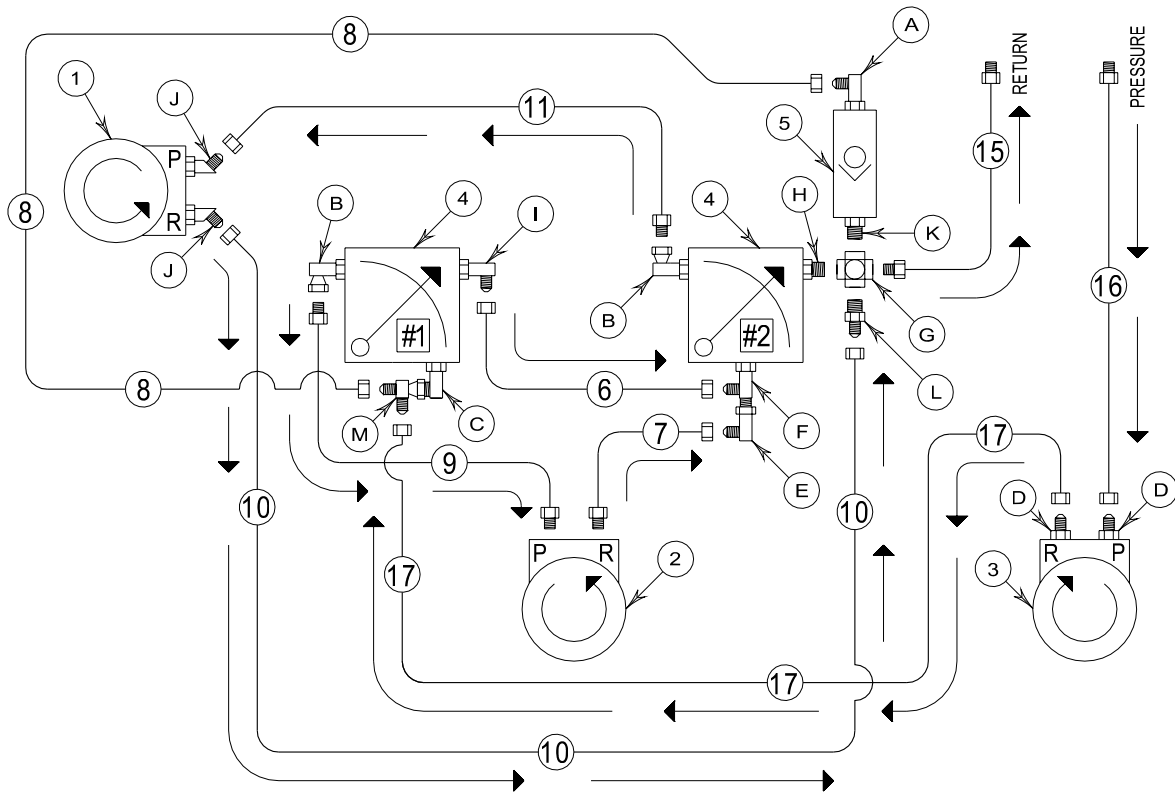
## ONE STEP™ 8 Row 30” – Standard Shanks – with Chain Case behind R.R. or L.R. Tractor tire – 88” Center Semi-End Dump (1995-2010)

### Parts List

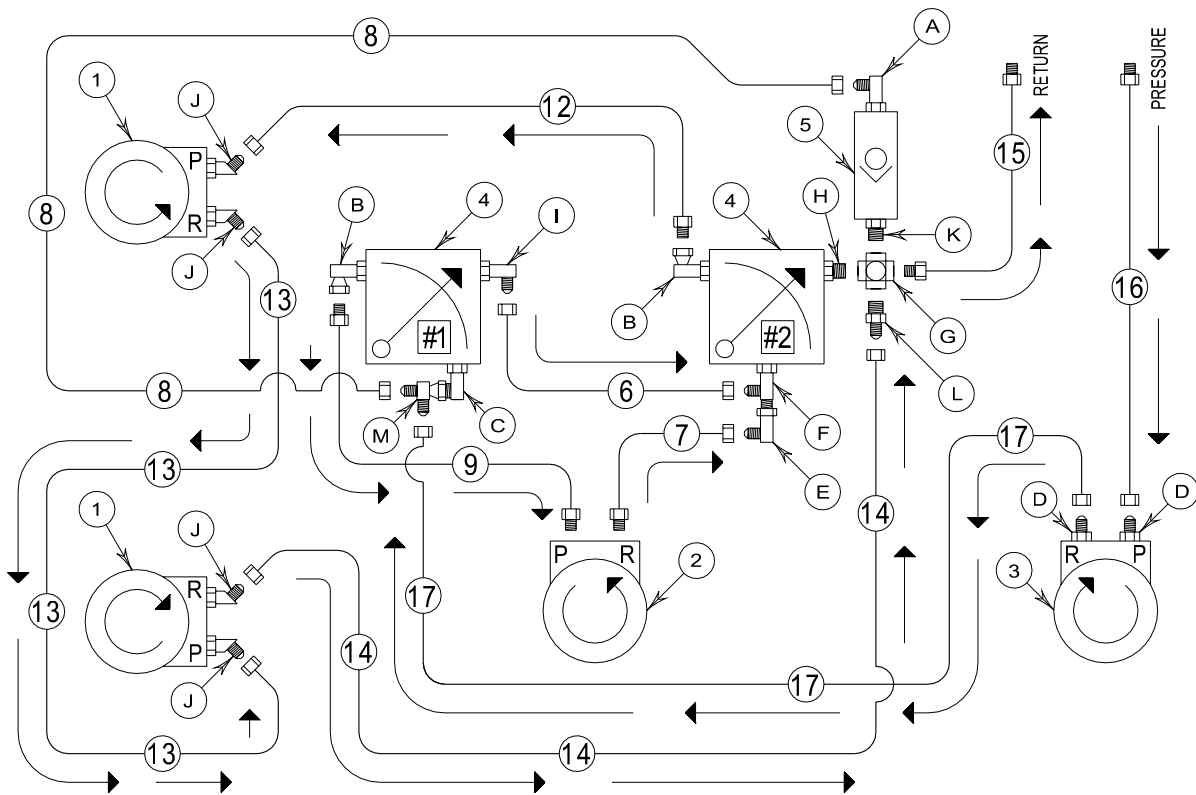
<u>Item No.</u>	<u>Part No.</u>	<u>Description</u>
1.	113022	Hydraulic Table Motor
2.	113023	Hydraulic Pickup Head Motor
2a.	119109	Seal Kit for Items 1 & 2
3.	113030	Hyd. Chain Case Motor
3a.	119110	Seal Kit for Item 3
4.	122024	Valve, Flow Control
5.	122025	Valve, Check
6.	108098	Check Valve to Flow Control Hose 8M2T-8FJX12FJX-02400
7.	108010	Pickup Head Hose (Return) 8M2T-8FJX10MB-01700
8.	108127	Tractor Reservoir Hose (Return) 12M2T-8MP12MP-22200
9.	108158	Chain Case Inlet Hose (Pressure) 12M2T-8MP12FJX45s-09800
10a.	108168	Chain Case Behind R.R. Tire – Outlet Hose 12M2T-12FJX12FJX45s-12800
10b.	108165	Chain Case Behind L.R. Tire – Outlet Hose 12M2T-12FJX12FJX45s-18800
11.	108027	Pickup Head Hose (Pressure) 8M2T-10MB8MP-02100
12.	122027	Directional Valve
13.	120004	½” × 90° Steel Line (Pressure) 800
14.	108134	Tray Hose (Return/Pressure) 8M2T-8FJX8FJX-17000 (2 Required)
15.	108129	Tray Hose (Return) 8M2T-8FJX8FJX-23800 (2 Required)
16.	108142	Flow Control to Directional Valve (Pressure) 8M2T-8MP8FJX-02800
17.	108216	Tray Hose (Return/Pressure) 8M2T-8FJX8FJX-08200
18.	108217	Tray Hose (Return/Pressure) 8M2T-8FJX8FJX-08600
19.	108123	Transversing Motor Hose 6M2T-8MP8FJX-37200 (2 Required)

### Hardware List

<u>Item No.</u>	<u>Part No.</u>	<u>Description</u>
A.	101080	6801-8-12, O-Ring 90°
B.	101090	6901-12-8, O-Ring 90°
C.	101148	6801-12-12, O-Ring 90°
D.	101061	6400-12-10, O-Ring Straight
E.	101081	6801-8-8, O-Ring 90°
F.	101146	6804-8-12-8, O-Ring Tee
G.	101059	5652-12-12-12-12, Standard Cross
H.	101067	6401-12-12, O-Ring Straight
I.	101149	6602-12-12-12, Standard Tee
J.	101154	6801-8-6, O-Ring 90°
K.	101018	2404-8-12, Standard Straight (with # 8, O-Ring)
L.	101018	2404-8-12, Standard Straight (without O-Ring)
M.	101117	6500-8-8, Standard 90°
N.	101120	6802-8-10, O-Ring 45°
O.	101041	2700-8-8, Bulkhead Straight
P.	101064	6400-8-10, O-Ring Straight
Q.	101160	Male Quick Coupler



12 Row-22 - Standard Shanks - Chain Case behind L.R.  
Tractor tire - 178" Semi-end Dump Tray



12 Row-22 - Standard Shanks - Chain Case behind L.H.  
Tractor Tire - 88" Center Dump - 118" & 76" Offset Center  
Dump - 178" & 14" Offset Center Dump Trays

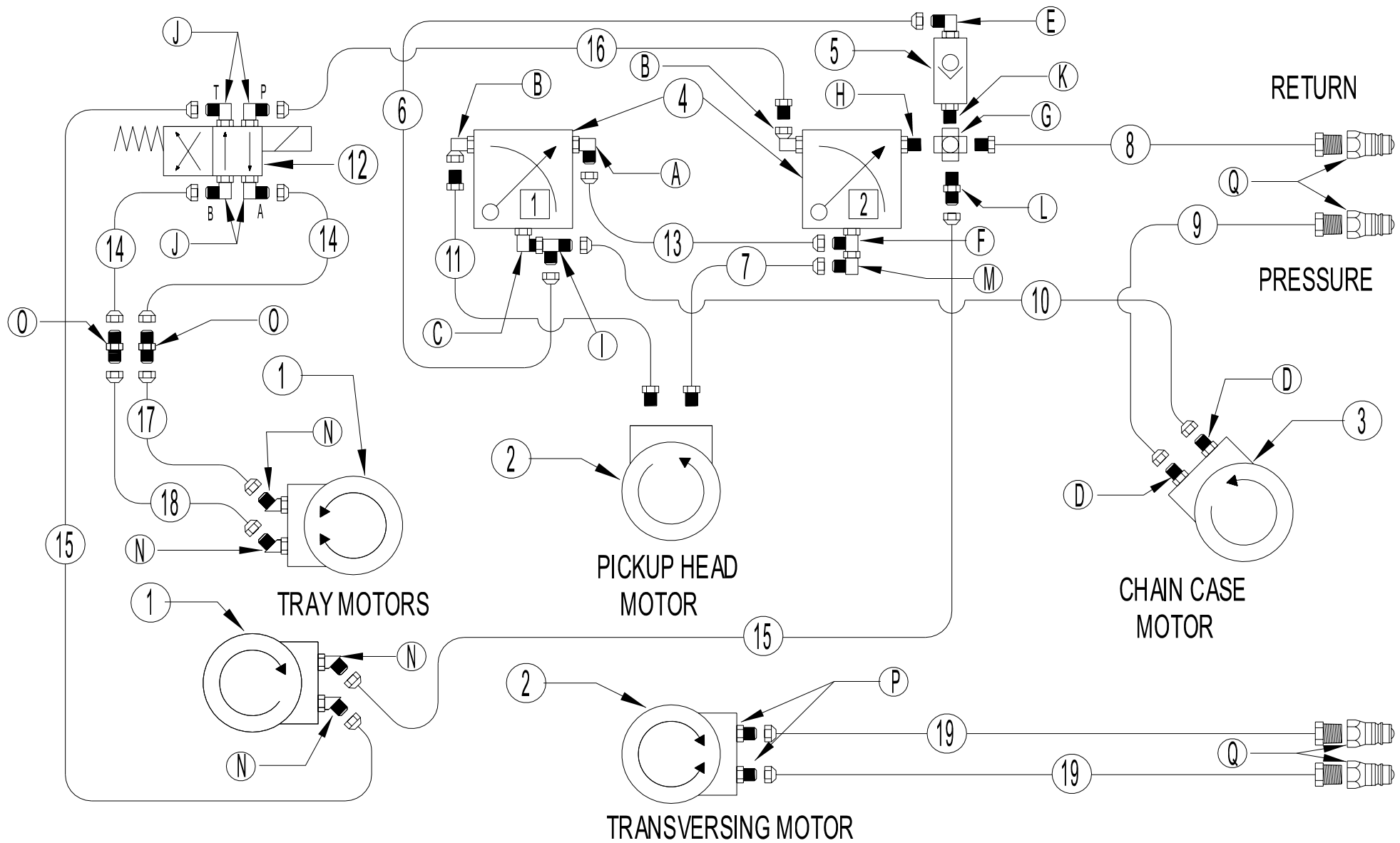
**ONE STEP™ 12 Row 22" – Standard Shanks – Chain Case Behind L.R.  
Tractor tire – 178" Semi-end Dump – 88" Center Dump – 118" & 76" Offset  
Center Dump – 178" & 14" Offset Center Dump (1995-2010)**

**Parts List**

<u>Item No.</u>	<u>Part No.</u>	<u>Description</u>
1.	113022	Hydraulic Table Motor
2.	113023	Hydraulic Pickup Head Motor
2a.	119109	Seal Kit for Items 1 & 2
3.	113030	Hyd. Chain Case Motor
3a.	119110	Seal Kit for Item 3
4.	122024	Valve, Flow Control
5.	122025	Valve, Check
6.	120004	½" × 90° Steel Line
7.	108010	Pickup Head Hose (Return) 8M2T-8FJX10MB-01700
8.	108098	Check Valve to Flow Control Hose 8M2T-8FJX12FJX-02400
9.	108027	Pickup Head Hose (Pressure) 8M2T-10MB8MP-02100
10.	108134	Semi-end Tray Hose (Return) 8M2T-8FJX8FJX-17000
11.	108133	Semi-end Tray Hose (Pressure) 8M2T-8MP8FJX-16700
12a.	108130	88" Center Dump Tray Hose (Pressure) 8M2T-8MP8FJX-17400
12b.	108209	118"- 76" Offset Center Dump Tray Hose (Pressure) 8M2T-8MP8FJX-15600
12c.	108230	178"- 14" Offset Center Dump Tray Hose (Pressure) 8M2T-8MP8FJX-11000
13a.	108134	88" Center Dump Tray Hose (Return/Pressure) 8M2T-8FJX8FJX-17000
13b.	108210	118"- 76" Offset Center Dump Tray (Return/Pressure) 8M2T-8FJX8FJX-15200
13c.	108210	178"- 14" Offset Center Dump Tray (Return/Pressure) 8M2T-8FJX8FJX-15200
14a.	108132	88" Center Dump Tray Hose (Return) 8M2T-8FJX8FJX-26200
14b.	108208	118"- 76" Offset Center dump Tray Hose (Return) 8M2T-8FJX8FJX-23200
14c.	108134	178"- 14" Offset Center dump Tray Hose (Return) 8M2T-8FJX8FJX-17000
15.	108205	Tractor Reservoir Hose (Return) 12M2T-8MP12MP-23600
16.	108158	Chain Case Inlet Hose (Pressure) 12M2T-8MP12FJX45s-09800
17.	108207	Chain Case Outlet Hose (Return/Pressure) 12M2T-12FJX12FJX45s-21400

**Hardware List**

<u>Item No.</u>	<u>Part No.</u>	<u>Description</u>
A.	101081	6801-8-8, O-Ring 90°
B.	101090	6901-12-8, O-Ring 90°
C.	101148	6801-12-12, O-Ring 90°
D.	101061	6400-12-10, O-Ring Straight
E.	101117	6500-8-8, Standard 90°
F.	101146	6804-8-12-8, O-Ring Tee
G.	101059	5652-12-12-12-12, Standard Cross
H.	101067	6401-12-12, O-Ring Straight
I.	101080	6801-8-12, O-Ring 90°
J.	101120	6802-8-10, O-Ring 45°
K.	101018	2404-8-12, Standard Straight (with # 8, O-Ring)
L.	101018	2404-8-12, Standard Straight (without O-Ring)
M.	101149	6602-12-12-12, Standard Tee



12 Row-22 - Standard Shanks - Chain Case behind  
 L.R. Tractor tire - 88" Center/Semi End Dump -  
 76" & 118" Offset Center/Semi End Dump Trays



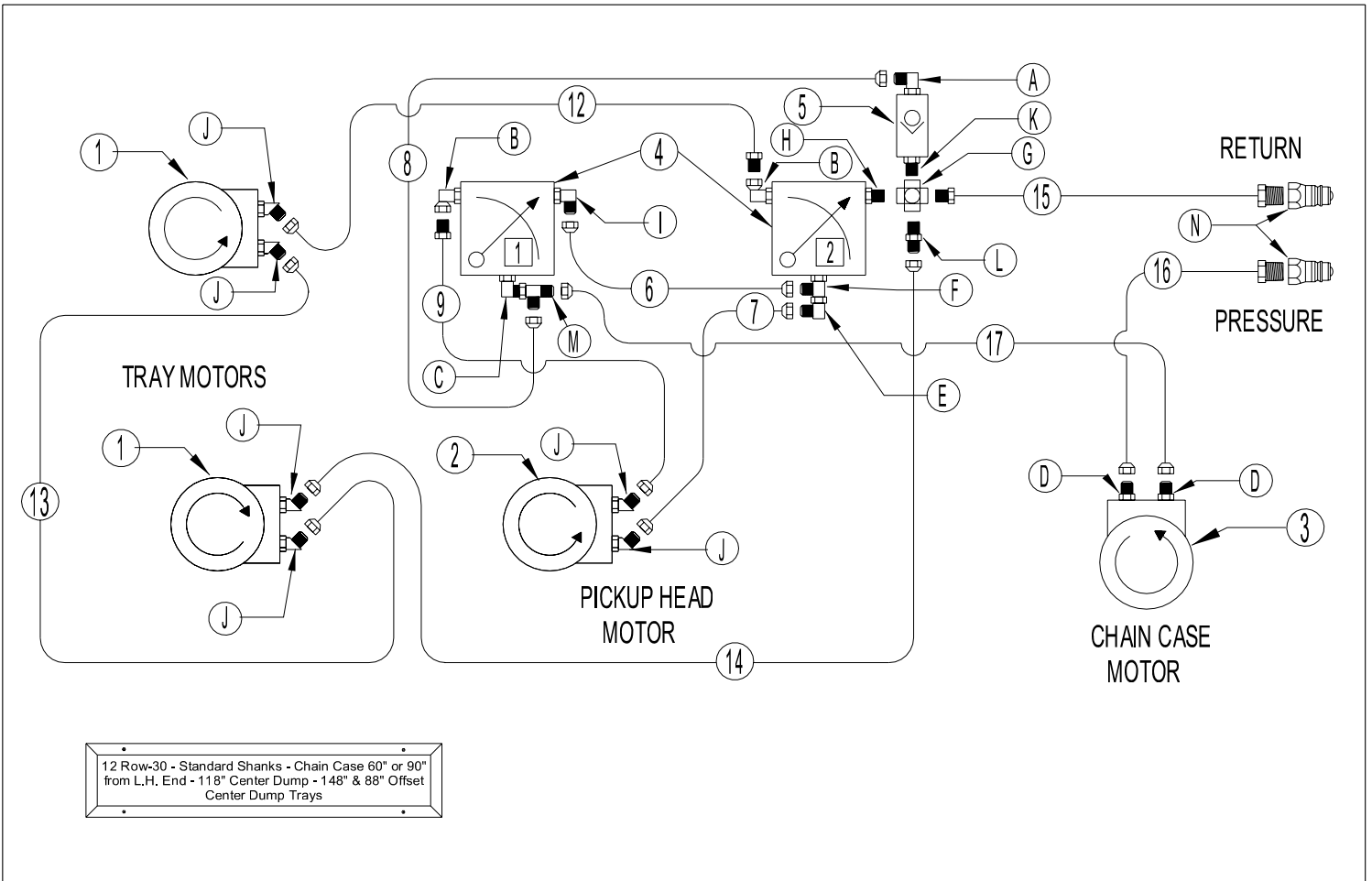
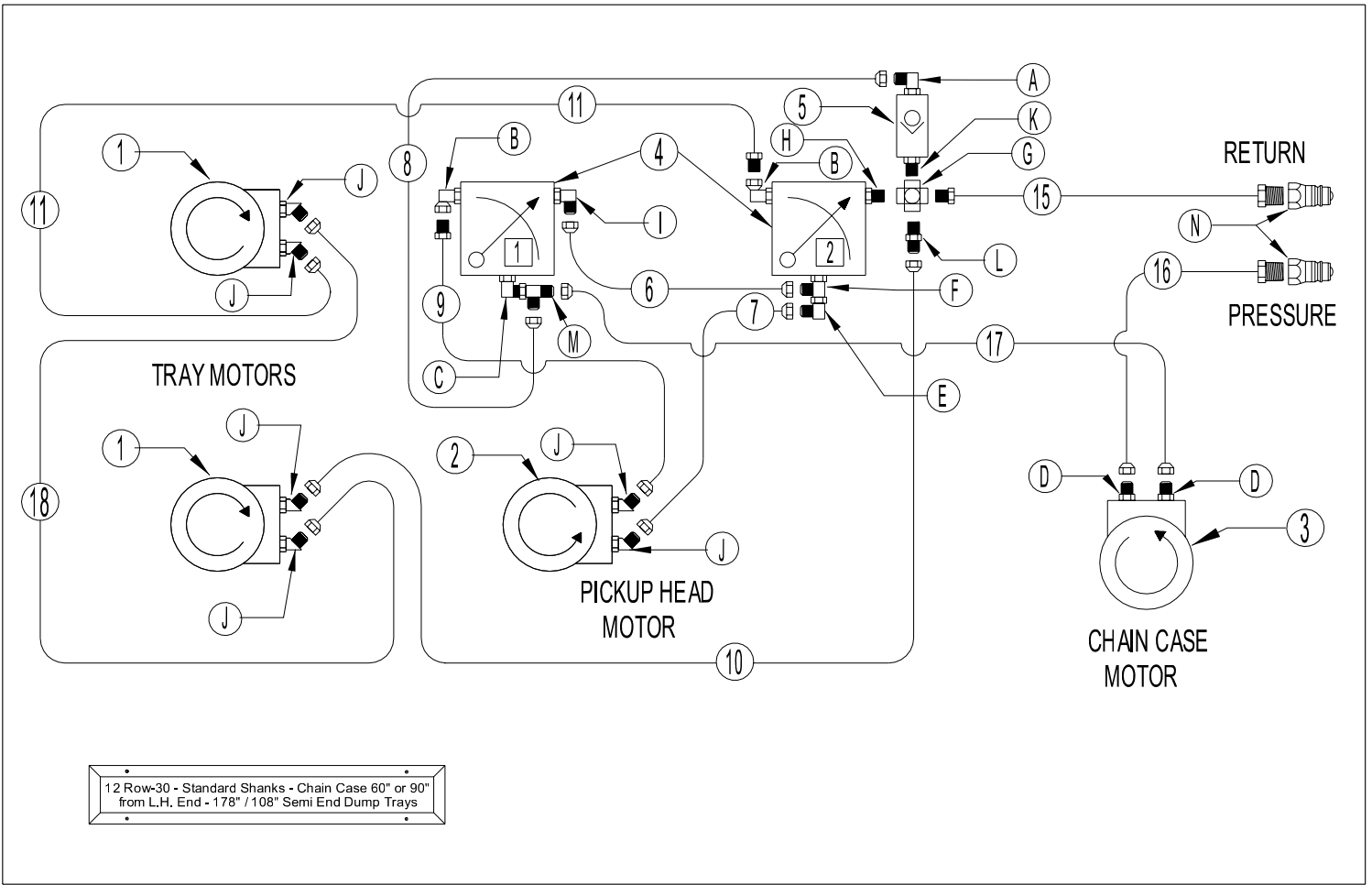
**ONE STEP™ 12 Row 22" – Standard Shanks – Chain Case behind L.R.  
Tractor tire – 88" Center Semi-End Dump – 76" & 118" Offset Center Semi-  
End Dump (1995-2010)**

**Parts List**

<u>Item No.</u>	<u>Part No.</u>	<u>Description</u>
1.	113022	Hydraulic Table Motor
2.	113023	Hydraulic Pickup Head Motor
2a.	119109	Seal Kit for Items 1 & 2
3.	113030	Hyd. Chain Case Motor
3a.	119110	Seal Kit for Item 3
4.	122024	Valve, Flow Control
5.	122025	Valve, Check
6.	108098	Check Valve to Flow Control Hose 8M2T-8FJX12FJX-02400
7.	108010	Pickup Head Hose (Return) 8M2T-8FJX10MB-01700
8.	108205	Tractor Reservoir Hose (Return) 12M2T-8MP12MP-23600
9.	108158	Chain Case Inlet Hose (Pressure) 12M2T-8MP12FJX45s-09800
10.	108207	Chain Case Outlet Hose (Return/Pressure) 12M2T-12FJX12FJX45s-21400
11.	108027	Pickup Head Hose (Pressure) 8M2T-10MB8MP-02100
12.	122027	Directional Valve
13.	120004	½" × 90° Steel Line (Pressure) 800
14a.	108134	88" Trays – Tray Hose (Return/Pressure) 8M2T-8FJX8FJX-17000 (2 Required)
14b.	108210	76" & 118" Trays – Tray Hose (Return/Pressure) 8M2T-8FJX8FJX-15200 (2 Required)
15a.	108132	88" Trays– Tray Hose (Return) 8M2T-8FJX8FJX-26200 (2 Required)
15b.	108208	76" & 118" Trays – Tray Hose (Return) 8M2T-8FJX8FJX-23200 (2 Required)
16.	108142	Flow Control to Directional Valve (Pressure) 8M2T-8MP8FJX-02800
17.	108219	Tray Hose (Return/Pressure) 8M2T-8FJX8FJX-09200
18.	108220	Tray Hose (Return/Pressure) 8M2T-8FJX8FJX-09600
19a.	108221	88" Trays– Transversing Motor Hose 6M2T-8MP8FJX-38400 (2 Required)
19b.	108123	76" & 118" Trays – Transversing Motor Hose 6M2T-8MP8FJX-37200 (2 Required)

**Hardware List**

<u>Item No.</u>	<u>Part No.</u>	<u>Description</u>
A.	101080	6801-8-12, O-Ring 90°
B.	101090	6901-12-8, O-Ring 90°
C.	101148	6801-12-12, O-Ring 90°
D.	101061	6400-12-10, O-Ring Straight
E.	101081	6801-8-8, O-Ring 90°
F.	101146	6804-8-12-8, O-Ring Tee
G.	101059	5652-12-12-12-12, Standard Cross
H.	101067	6401-12-12, O-Ring Straight
I.	101149	6602-12-12-12, Standard Tee
J.	101154	6801-8-6, O-Ring 90°
K.	101018	2404-8-12, Standard Straight (with # 8, O-Ring)
L.	101018	2404-8-12, Standard Straight (without O-Ring)
M.	101117	6500-8-8, Standard 90°
N.	101120	6802-8-10, O-Ring 45°
O.	101041	2700-8-8, Bulkhead Straight
P.	101064	6400-8-10, O-Ring Straight
Q.	101160	Male Quick Coupler



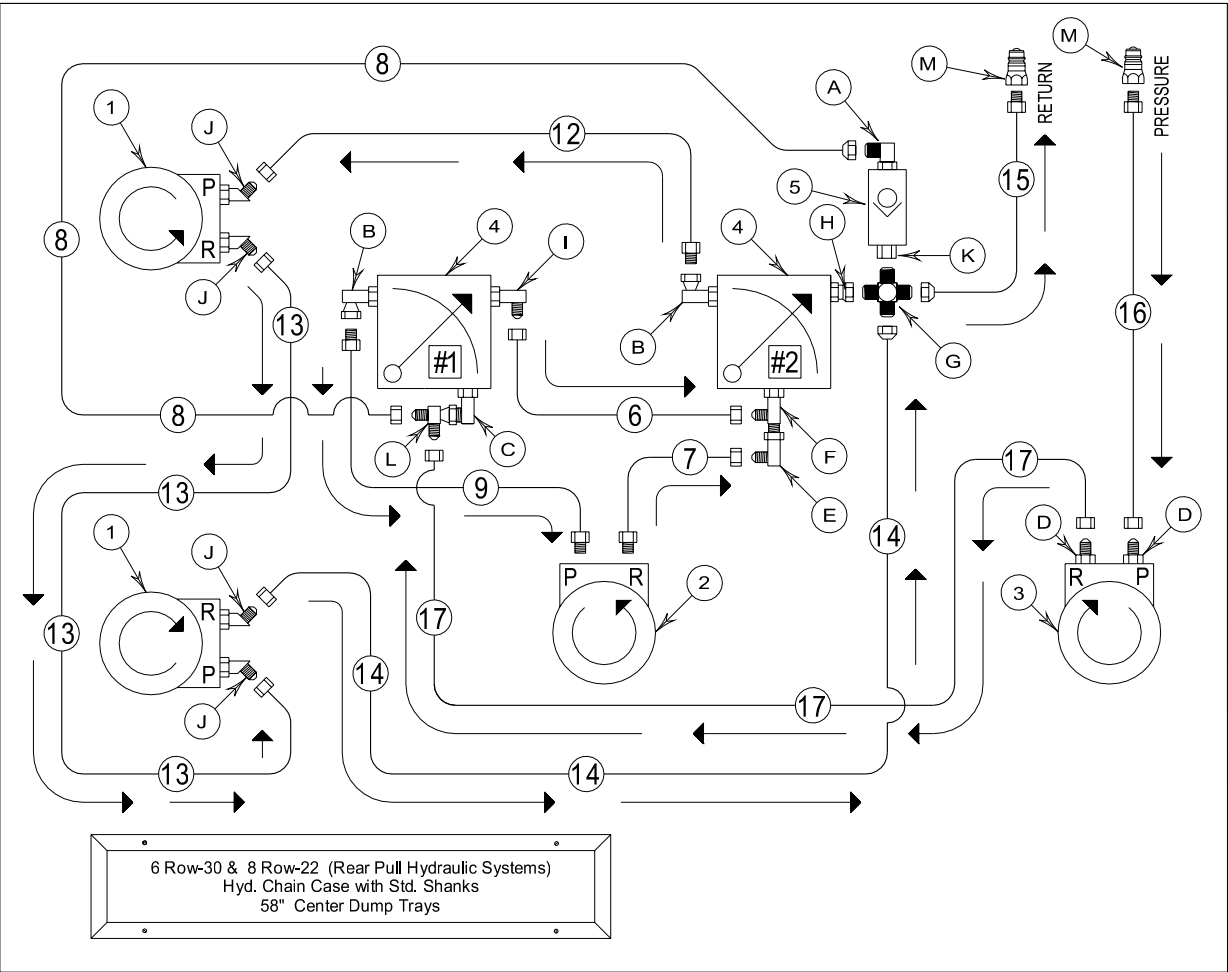
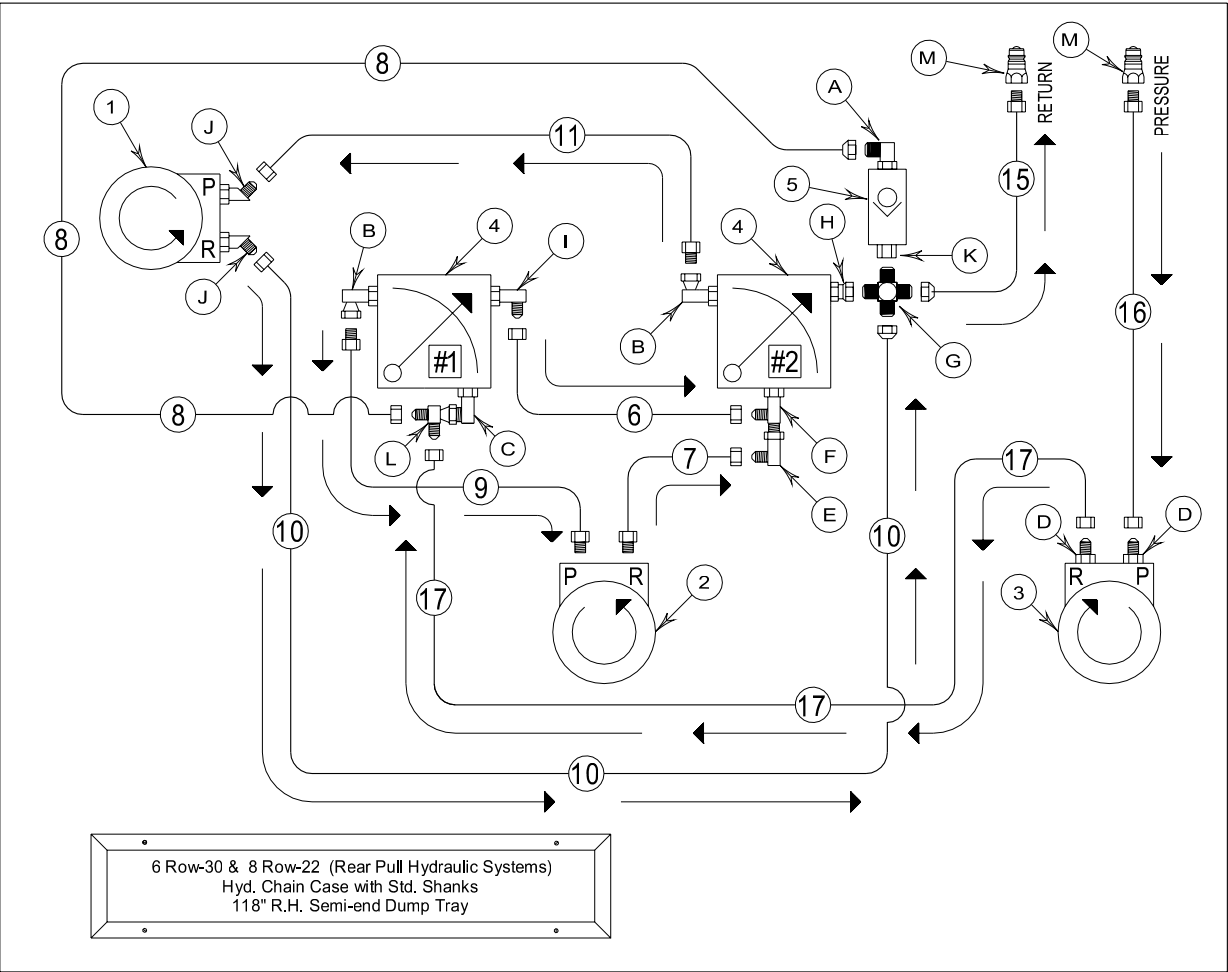
**ONE STEP™ 12 Row 30" – Standard Shanks – Chain Case 60" or 90" from L.H. End – 178" / 108" Semi-end Dump - 118" Center Dump, 148" & 88" Offset Center Dump (2005-2010)**

**Parts List**

<u>Item No.</u>	<u>Part No.</u>	<u>Description</u>
1.	113022	Hydraulic Table Motor
2.	113023	Hydraulic Pickup Head Motor
2a.	119109	Seal Kit for Items 1 & 2
3.	113030	Hyd. Chain Case Motor
3a.	119110	Seal Kit for Item 3
4.	122024	Valve, Flow Control
5.	122025	Valve, Check
6.	120004	½" × 90° Steel Line (Pressure) 800
7.	108122	Pickup Head Hose (Return) 8M2T-8FJX8FJX-02100
8.	108098	Check Valve to Flow Control Hose 8M2T-8FJX12FJX-02400
9.	108142	Pickup Head Hose (Pressure) 8M2T-8FJX8MP-02800
10.	108248	178" / 108" Semi-end Tray Hose (Return) 8M2T-8FJX8FJX-27600
11.	108133	Semi-end Tray Hose (Pressure) 8M2T-8MP8FJX-16700
12a.	108108	118" Center Dump Tray Hose (Pressure) 8M2T-8MP8FJX-19100
12b.	108130	148"- 88" Offset Center Dump Tray Hose (Pressure) 8M2T-8MP8FJX-17400
13a.	108006	118" Center Dump Tray Hose (Return/Pressure) 8M2T-8FJX8FJX-20800
13b.	108006	148"-88" Offset Center Dump Tray Hose (Return/Pressure) 8M2T-8FJX8FJX-20800
14a.	108249	118" Center Dump Tray Hose (Return) 8M2T-8FJX8FJX-33600
14b.	108250	148"- 88" Offset Center Dump Tray Hose (Return) 8M2T-8FJX8FJX-30600
15.	108255	Tractor Reservoir Hose (Return) 12M2T-8MP12MP-28000
16a.	108166	Chain Case 90" from L.H. End—Inlet Hose (Pressure) 12M2T-8MP12FJX45s-15800
16b.	108165	Chain Case 60" from L.H. End—Inlet Hose (Pressure) 12M2T-8MP12FJX45s-18800
17a.	108253	Chain Case 90" from L.H. End—Outlet hose 12M2T-12FJX12FJX45s-31800
17b.	108254	Chain Case 60" from L.H. End—Outlet hose 12M2T-12FJX12FJX45s-34800
18.	108006	178" / 108" Semi-end Tray Hose (Return/Pressure) 8M2T-8FJX8FJX-20800

**Hardware List**

<u>Item No.</u>	<u>Part No.</u>	<u>Description</u>
A.	101081	6801-8-8, O-Ring 90°
B.	101090	6901-12-8, O-Ring 90°
C.	101148	6801-12-12, O-Ring 90°
D.	101061	6400-12-10, O-Ring Straight
E.	101117	6500-8-8, Standard 90°
F.	101146	6804-8-12-8, O-Ring Tee
G.	101059	5652-12-12-12-12, Standard Cross
H.	101067	6401-12-12, O-Ring Straight
I.	101080	6801-8-12, O-Ring 90°
J.	101120	6802-8-10, O-Ring 45°
K.	101018	2404-8-12, Standard Straight (with # 8, O-Ring)
L.	101018	2404-8-12, Standard Straight (without O-Ring)
M.	101149	6602-12-12-12, Standard Tee
N.	101160	Male Quick Coupler



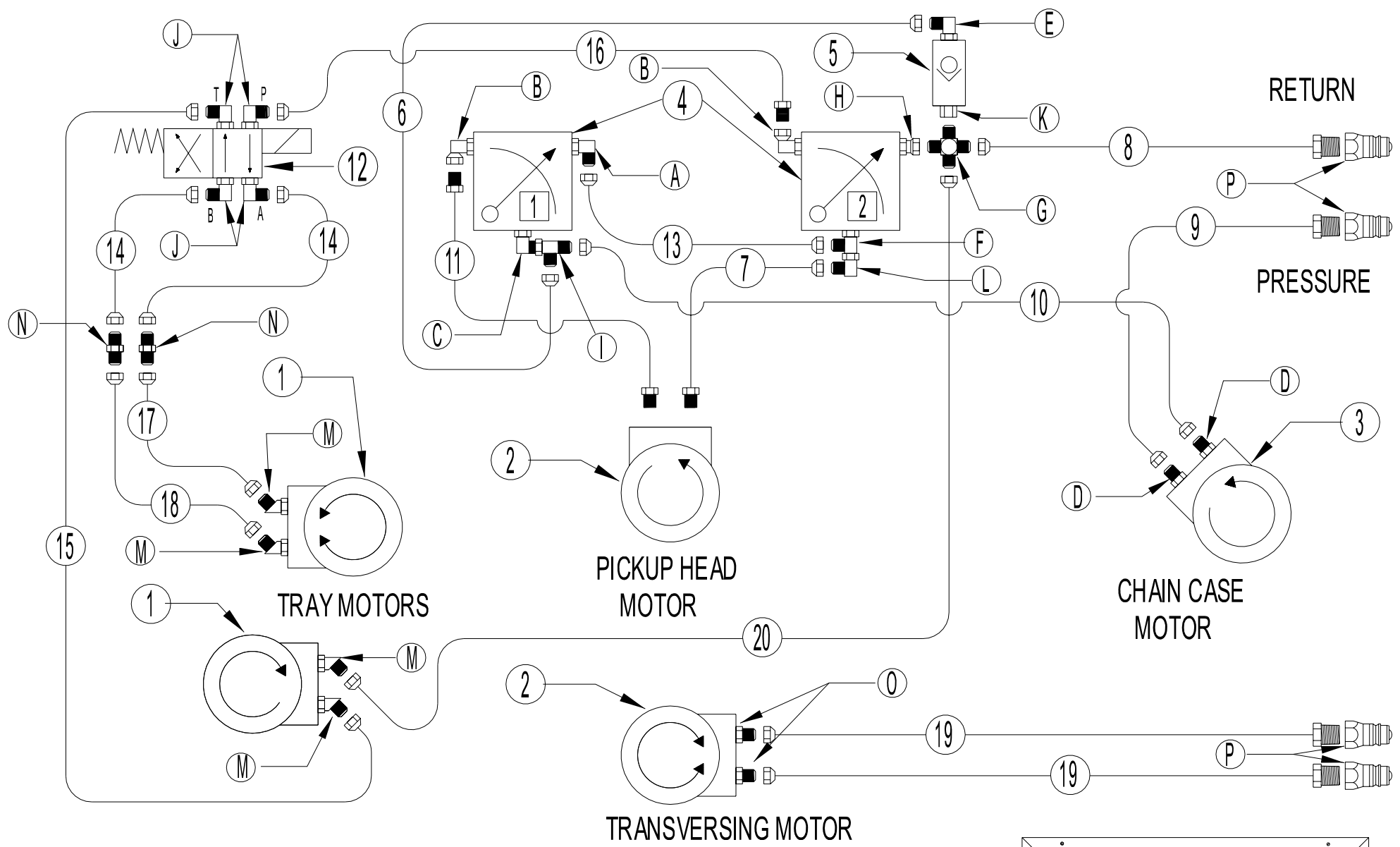
# ONE STEP™ 6 Row 30 & 8 Row 22 (2011–Present) Rear Pull Hydraulic Systems Hyd. Chain Case with Standard Shanks Chain Case R.H. Outside & Behind L.R. Tractor Tire 118” R.H. Semi-end Dump Tray & 58” Center Dump Trays

## Parts List

<u>Item No.</u>	<u>Part No.</u>	<u>Description</u>
1.	113022	Hydraulic Table Motor
2.	113023	Hydraulic Pickup Head Motor
2a.	119109	Seal Kit for Items 1 & 2
3.	113030	Hyd. Chain Case Motor
3a.	119110	Seal Kit for Item 3
4.	122024	Valve, Flow Control
5.	122025	Valve, Check
6.	120004	½” x 90° Steel Line
7.	108010	Pickup Head Motor Hose (Return/Pressure) 8M2T-8FJX10MB-01700
8.	108098	Check Valve to Flow Control Hose (Pressure) 8M2T-8FJX12FJX-02400
9.	108027	Pickup Head Motor Hose (Pressure) 8M2T-10MB8MP-02100
10.	108023-A	Table Motor Hose (Return/Pressure) 8M2T-12FJX8FJX-14600
11.	108020	Table Motor Hose (Pressure) 8M2T-8MP8FJX-14300
12.	108008	Table Motor Hose (Pressure) 8M2T-8MP8FJX-14450
13.	108004	Table Motor Hose (Pressure/Return) 8M2T-8FJX8FJX-14650
14.	108006-A	Table Motor Hose (Return) 8M2T-12FJX8FJX-20800
15.	108071-A	Tractor Reservoir Hose (Return) 12M2T-12FJX8MP-19175
16.	108166	Chain Case R.H. End - Inlet Hose 12M2T-8MP12FJX45S-15800
16a.	108158	6-30” or 8-22” Chain Case L.R. Tire - Inlet Hose 12M2T-8MP12FJX45S-09800
17.	108138	Chain Case R.H. End - Outlet Hose 12M2T-12FJX12FJX45S-04000
17a.	108164	6-30” Chain Case L.R. Tire - Outlet Hose 12M2T-12FJX12FJX45S-15800
17b.	108169	8-22” Chain Case L.R. Tire - Outlet Hose 12M2T-12FJX12FJX45S-17000

## Hardware List

<u>Item No.</u>	<u>Part No.</u>	<u>Description</u>
A.	101081	6801-8-8, O-Ring 90°
B.	101090	6901-12-8, O-Ring 90°
C.	101148	6801-12-12, O-Ring 90°
D.	101061	6400-12-10, O-Ring Straight
E.	101117	6500-8-8, Standard 90°
F.	101146	6804-8-12-8, O-Ring Tee
G.	101223	2650-12-12-12-12, Male JIC Cross
H.	101222	6402-12-12, O-Ring Straight Swivel
I.	101080	6801-8-12, O-Ring 90°
J.	101120	6802-8-10, O-Ring 45°
K.	101221	2406-12-8, Straight Reducer (with #8, O-Ring)
L.	101149	6602-12-12-12, Standard Tee
M.	101160	Male Quick Coupler



6 Row-30 or 8 Row-22 - Standard Shanks - with  
 Chain Case behind R.R. or L.R. Tractor tires -  
 58" Center-Semi End Dump

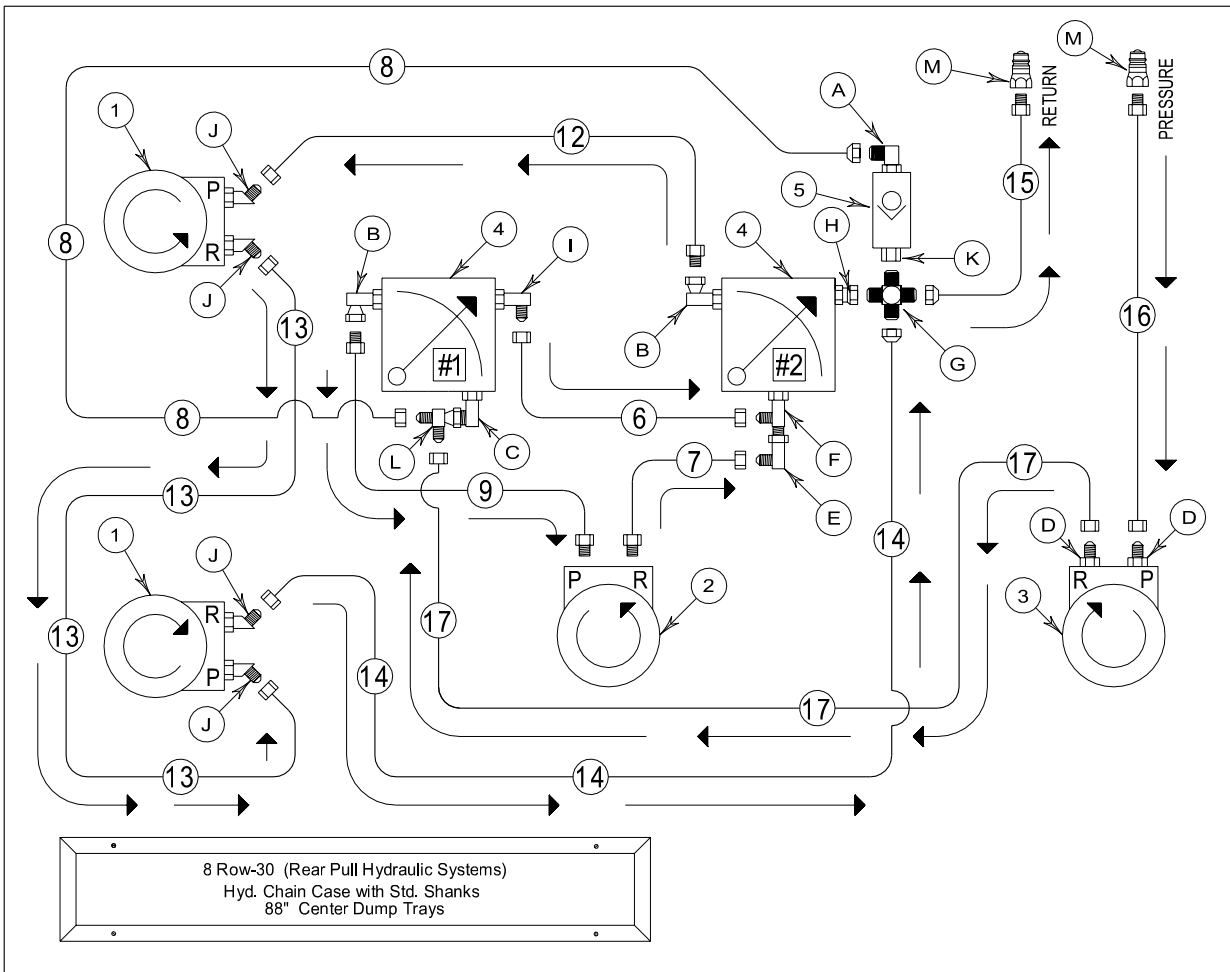
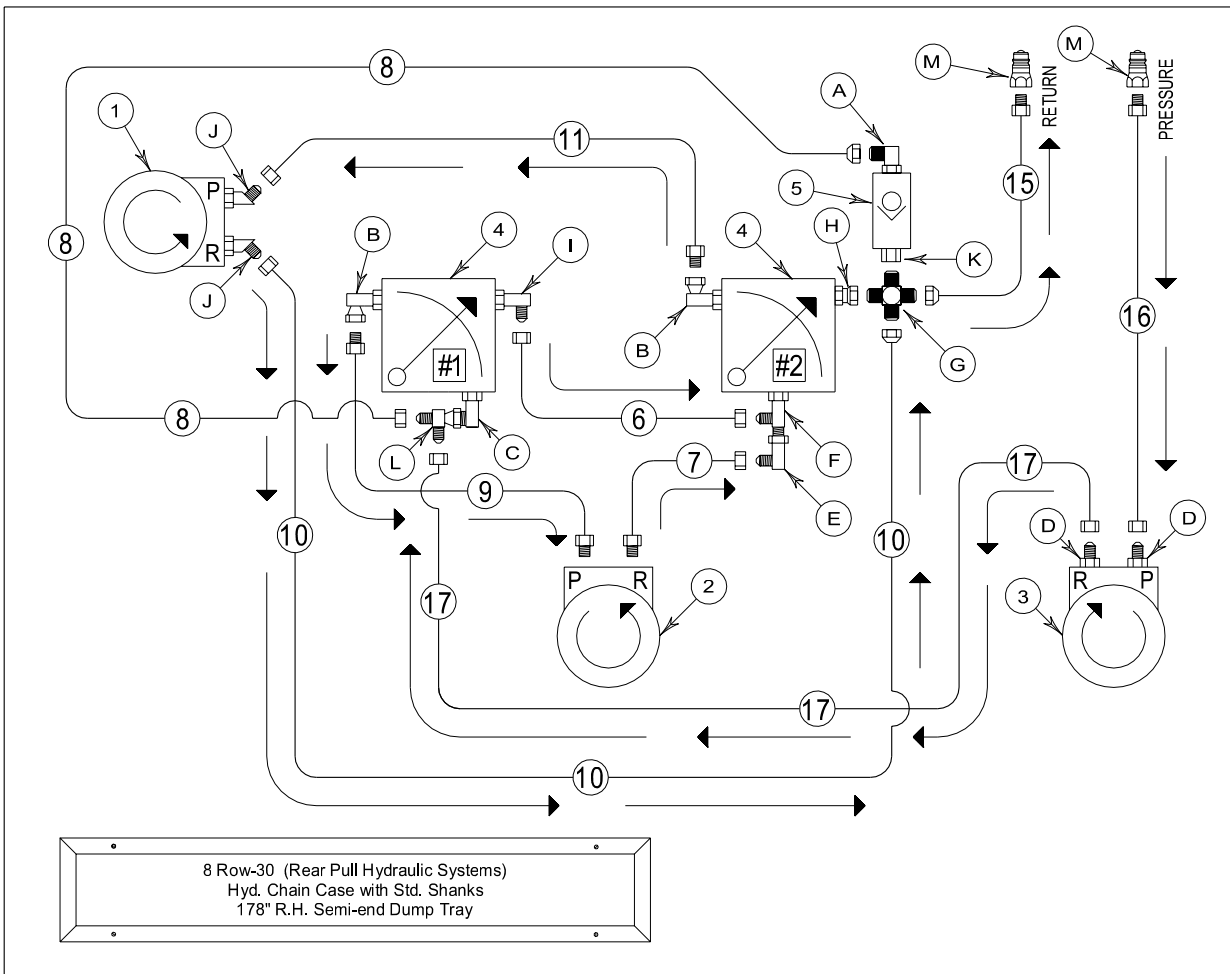
## ONE STEP™ 6 Row 30" or 8 Row 22" – Standard Shanks – Hydraulic Chain Case behind R.R. or L.R. Tractor tires – 58" Center Semi-End Dump (2011-Present)

### Parts List

<u>Item No.</u>	<u>Part No.</u>	<u>Description</u>
1.	113022	Hydraulic Table Motor
2.	113023	Hydraulic Pickup Head Motor
2a.	119109	Seal Kit for Items 1 & 2
3.	113030	Hyd. Chain Case Motor
3a.	119110	Seal Kit for Item 3
4.	122024	Valve, Flow Control
5.	122025	Valve, Check
6.	108098	Check Valve to Flow Control Hose 8M2T-8FJX12FJX-02400
7.	108010	Pickup Head Hose (Return) 8M2T-8FJX10MB-01700
8.	108071-A	Tractor Reservoir Hose (Return) 12M2T-8MP12FJX-19175
9a.	108158	6-30s & 8-22 with Chain Case Behind L.R. Tire (Pressure) 12M2T-8MP12FJX45s-09800
9b.	108156	8-22 with Chain Case Behind R.R. Tire (Pressure) 12M2T-8MP12FJX45s-11400
10a.	108159	6-30 with Chain Case Behind R.R. Tire (Return/Pressure) 12M2T-12FJX 12FJX45s-09800
10b.	108164	6-30 with Chain Case Behind L.R. Tire (Return/Pressure) 12M2T-12FJX 12FJX45s-15800
10c.	108157	8-22 with Chain Case Behind R.R. Tire (Return/Pressure) 12M2T-12FJX 12FJX45s-08200
10d.	108169	8-22 with Chain Case Behind L.R. Tire (Return/Pressure) 12M2T-12FJX 12FJX45s-17000
11.	108027	Pickup Head Hose (Pressure) 8M2T-10MB8MP-02100
12.	122027	Directional Valve
13.	120004	½" × 90° Steel Line (Pressure) 800
14.	108004	Tray Hose (Return/Pressure) 8M2T-8FJX8FJX-14650 (2 Required)
15.	108006	Tray Hose (Return) 8M2T-8FJX8FJX-20800
16.	108142	Flow Control to Directional Valve (Pressure) 8M2T-8MP8FJX-02800
17.	108216	Tray Hose (Return/Pressure) 8M2T-8FJX8FJX-08200
18.	108217	Tray Hose (Return/Pressure) 8M2T-8FJX8FJX-08600
19.	108218	Transversing Motor Hose 6M2T-8MP8FJX-32000 (2 Required)
20.	108006-A	Tray Hose (Return) 8M2T-8FJX12FJX-20800

### Hardware List

<u>Item No.</u>	<u>Part No.</u>	<u>Description</u>
A.	101080	6801-8-12, O-Ring 90°
B.	101090	6901-12-8, O-Ring 90°
C.	101148	6801-12-12, O-Ring 90°
D.	101061	6400-12-10, O-Ring Straight
E.	101081	6801-8-8, O-Ring 90°
F.	101146	6804-8-12-8, O-Ring Tee
G.	101223	2650-12-12-12-12, Male JIC Cross
H.	101222	6402-12-12, O-Ring Straight Swivel
I.	101149	6602-12-12-12, Standard Tee
J.	101154	6801-8-6, O-Ring 90°
K.	101221	2406-12-8, Straight Reducer (with #8, O-Ring)
L.	101117	6500-8-8, Standard 90°
M.	101120	6802-8-10, O-Ring 45°
N.	101041	2700-8-8, Bulkhead Straight
O.	101064	6400-8-10, O-Ring Straight
P.	101160	Male Quick Coupler





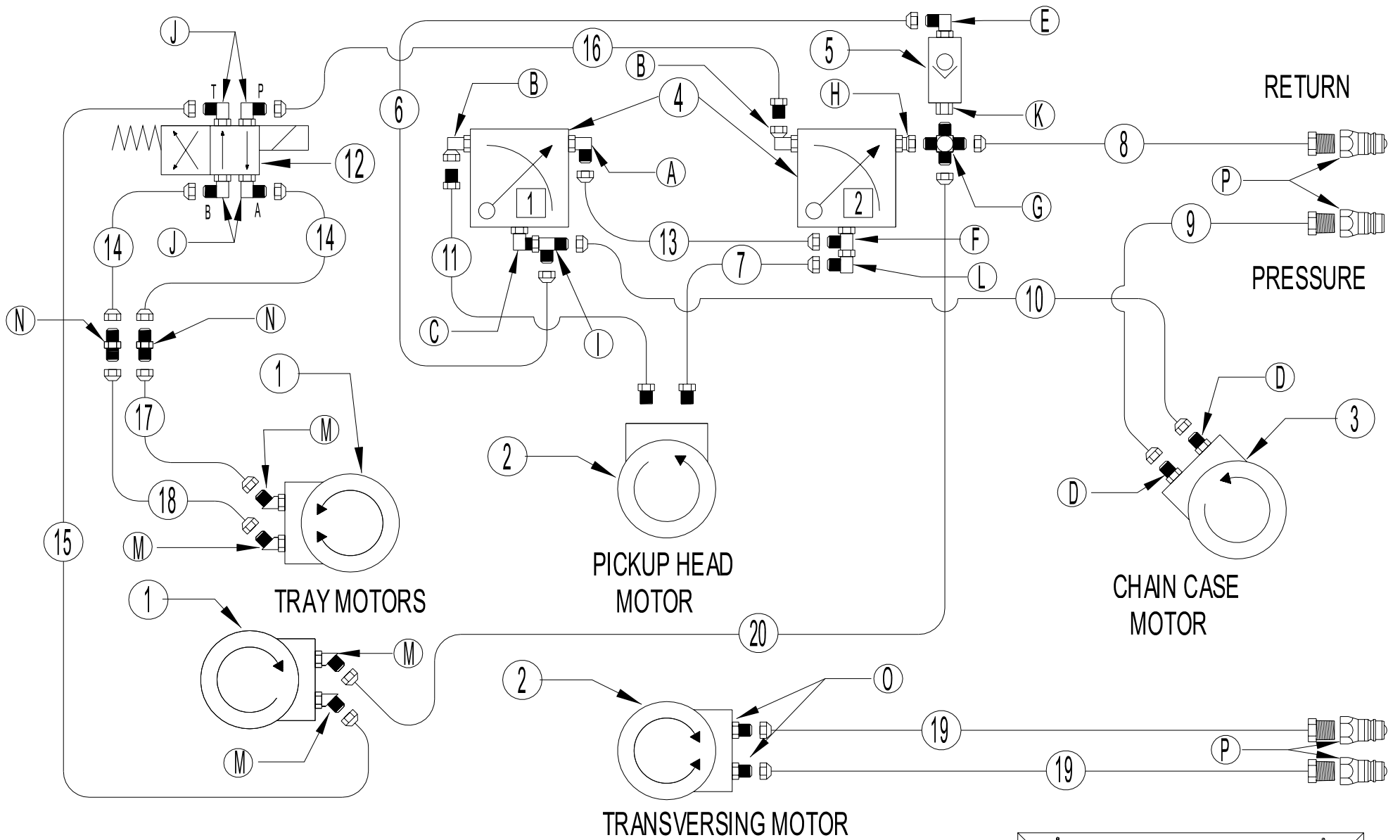
# ONE STEP™ 8 Row 30 (2011–Present) Rear Pull Hydraulic Systems Hyd. Chain Case with Standard Shanks (Chain Case behind R.R. or L.R. tractor tire) 178” R.H. Semi-end Dump Tray & 88” Center Dump Trays

## Parts List

<u>Item No.</u>	<u>Part No.</u>	<u>Description</u>
1.	113022	Hydraulic Table Motor
2.	113023	Hydraulic Pickup Head Motor
2a.	119109	Seal Kit for Items 1 & 2
3.	113030	Hyd. Chain Case Motor
3a.	119110	Seal Kit for Item 3
4.	122024	Valve, Flow Control
5.	122025	Valve, Check
6.	120004	½” × 90° Steel Line
7.	108010	Pickup Head Motor Hose (Return/Pressure) 8M2T-8FJX10MB-01700
8.	108098	Check Valve to Flow Control Hose (Pressure) 8M2T-8FJX12FJX-02400
9.	108027	Pickup Head Motor Hose (Pressure) 8M2T-10MB8MP-02100
10.	108023-A	Table Motor Hose (Return/Pressure) 8M2T-12FJX8FJX-14600
11.	108020	Table Motor Hose (Pressure) 8M2T-8MP8FJX-14300
12.	108130	Table Motor Hose (Pressure) 8M2T-8MP8FJX-17400
13.	108004	Table Motor Hose (Pressure/Return) 8M2T-8FJX8FJX-14650
14.	108129-A	Table Motor Hose (Return) 8M2T-12FJX8FJX-23800
15.	108127-A	Tractor Reservoir Hose (Return) 12M2T-12FJX8MP-22200
16.	108158	Tractor Pressure Inlet Hose (Pressure) 12M2T-8MP12FJX45S-09800
17.	108168	8-30” Chain Case R.R. Tire - Outlet Hose 12M2T-12FJX12FJX45S-12800
17a.	108165	8-30” Chain Case L.R. Tire - Outlet Hose 12M2T-12FJX12FJX45S-18800

## Hardware List

<u>Item No.</u>	<u>Part No.</u>	<u>Description</u>
A.	101081	6801-8-8, O-Ring 90°
B.	101090	6901-12-8, O-Ring 90°
C.	101148	6801-12-12, O-Ring 90°
D.	101061	6400-12-10, O-Ring Straight
E.	101117	6500-8-8, Standard 90°
F.	101146	6804-8-12-8, O-Ring Tee
G.	101223	2650-12-12-12-12, Male JIC Cross
H.	101222	6402-12-12, O-Ring Straight Swivel
I.	101080	6801-8-12, O-Ring 90°
J.	101120	6802-8-10, O-Ring 45°
K.	101221	2406-12-8, Straight Reducer (with #8, O-Ring)
L.	101149	6602-12-12-12, Standard Tee
M.	101160	Male Quick Coupler



8 Row-30 - Standard Shanks - with Chain Case  
 behind R.R. or L.R. Tractor tires - 88" Center/  
 Semi End Dump Trays

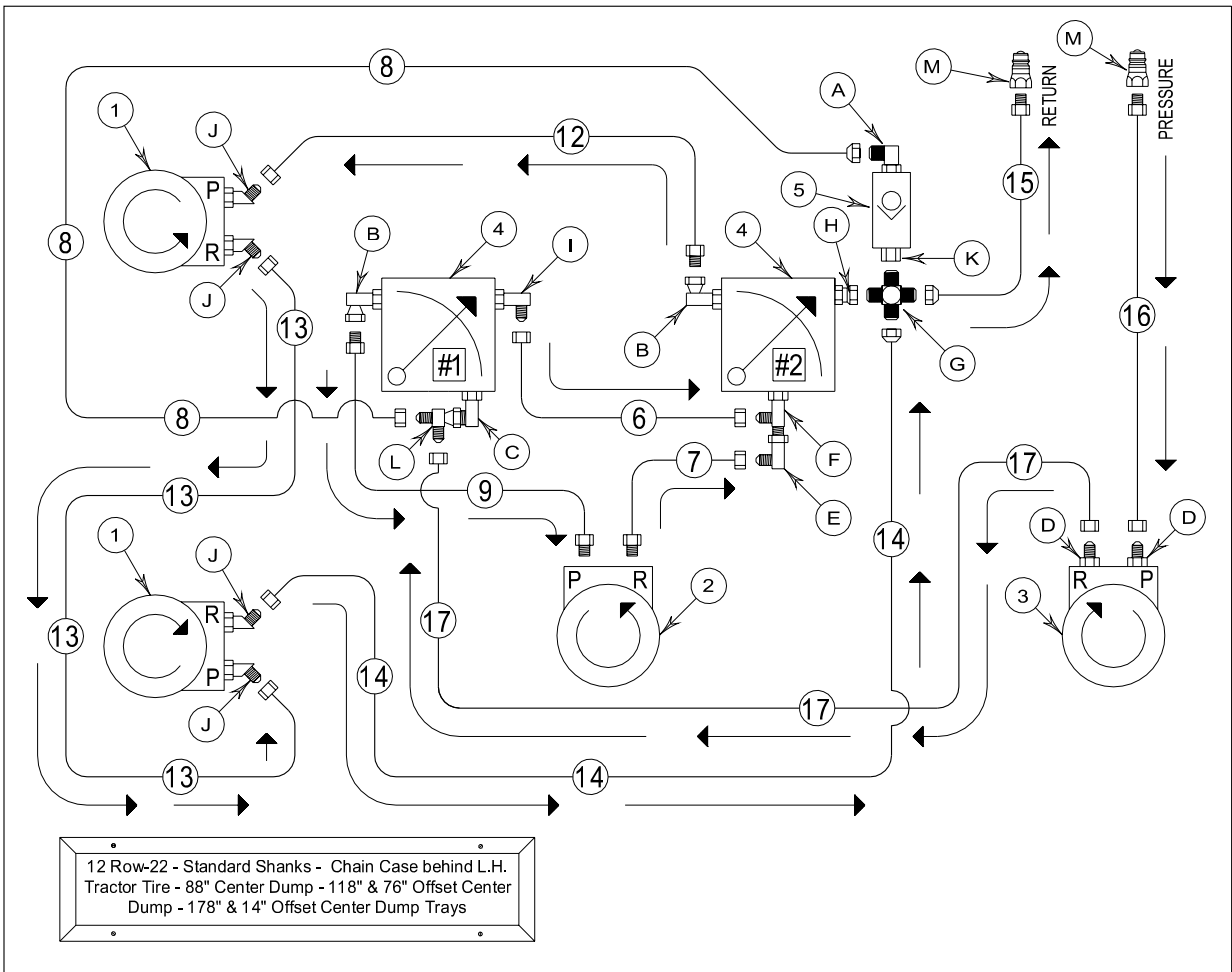
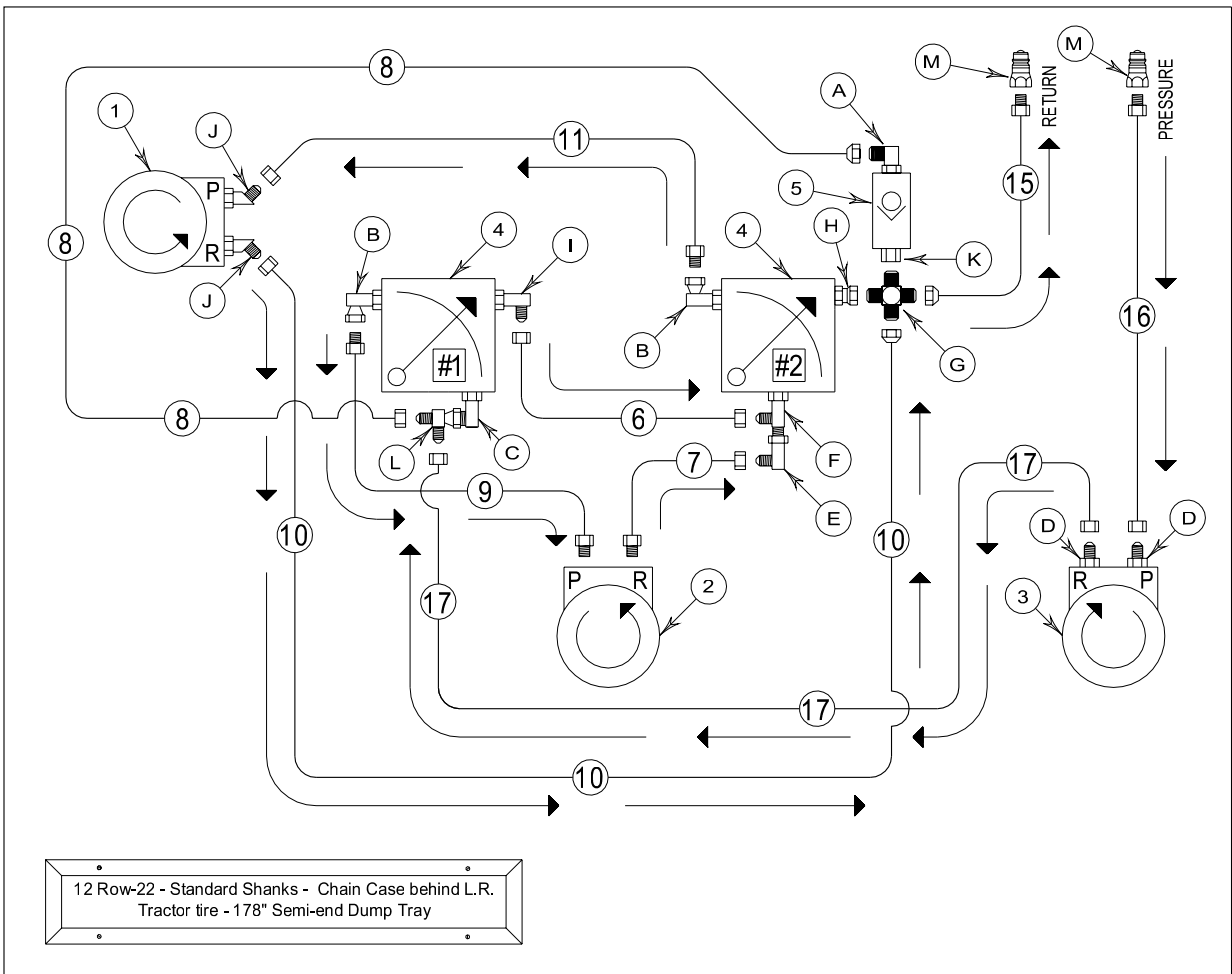
## ONE STEP™ 8 Row 30” – Standard Shanks – with Chain Case behind R.R. or L.R. Tractor tire – 88” Center Semi-End Dump (2011-Present)

### Parts List

<u>Item No.</u>	<u>Part No.</u>	<u>Description</u>
1.	113022	Hydraulic Table Motor
2.	113023	Hydraulic Pickup Head Motor
2a.	119109	Seal Kit for Items 1 & 2
3.	113030	Hyd. Chain Case Motor
3a.	119110	Seal Kit for Item 3
4.	122024	Valve, Flow Control
5.	122025	Valve, Check
6.	108098	Check Valve to Flow Control Hose 8M2T-8FJX12FJX-02400
7.	108010	Pickup Head Hose (Return) 8M2T-8FJX10MB-01700
8.	108127-A	Tractor Reservoir Hose (Return) 12M2T-8MP12FJX-22200
9.	108158	Chain Case Inlet Hose (Pressure) 12M2T-8MP12FJX45s-09800
10a.	108168	Chain Case Behind R.R. Tire – Outlet Hose 12M2T-12FJX12FJX45s-12800
10b.	108165	Chain Case Behind L.R. Tire – Outlet Hose 12M2T-12FJX12FJX45s-18800
11.	108027	Pickup Head Hose (Pressure) 8M2T-10MB8MP-02100
12.	122027	Directional Valve
13.	120004	½” x 90° Steel Line (Pressure) 800
14.	108134	Tray Hose (Return/Pressure) 8M2T-8FJX8FJX-17000 (2 Required)
15.	108129	Tray Hose (Return) 8M2T-8FJX8FJX-23800
16.	108142	Flow Control to Directional Valve (Pressure) 8M2T-8MP8FJX-02800
17.	108216	Tray Hose (Return/Pressure) 8M2T-8FJX8FJX-08200
18.	108217	Tray Hose (Return/Pressure) 8M2T-8FJX8FJX-08600
19.	108123	Transversing Motor Hose 6M2T-8MP8FJX-37200 (2 Required)
20.	108129-A	Tray Hose (Return) 8M2T-8FJX12FJX-23800

### Hardware List

<u>Item No.</u>	<u>Part No.</u>	<u>Description</u>
A.	101080	6801-8-12, O-Ring 90°
B.	101090	6901-12-8, O-Ring 90°
C.	101148	6801-12-12, O-Ring 90°
D.	101061	6400-12-10, O-Ring Straight
E.	101081	6801-8-8, O-Ring 90°
F.	101146	6804-8-12-8, O-Ring Tee
G.	101223	2650-12-12-12-12, Male JIC Cross
H.	101222	6402-12-12, O-Ring Straight Swivel
I.	101149	6602-12-12-12, Standard Tee
J.	101154	6801-8-6, O-Ring 90°
K.	101221	2406-12-8, Straight Reducer (with #8, O-Ring)
L.	101117	6500-8-8, Standard 90°
M.	101120	6802-8-10, O-Ring 45°
N.	101041	2700-8-8, Bulkhead Straight
O.	101064	6400-8-10, O-Ring Straight
P.	101160	Male Quick Coupler



**ONE STEP™ 12 Row 22” – Standard Shanks – Chain Case Behind L.R.  
Tractor tire – 178” Semi-end Dump – 88” Center Dump – 118” & 76” Offset  
Center Dump – 178” & 14” Offset Center Dump (2011-Present)**

**Parts List**

<u>Item No.</u>	<u>Part No.</u>	<u>Description</u>
1.	113022	Hydraulic Table Motor
2.	113023	Hydraulic Pickup Head Motor
2a.	119109	Seal Kit for Items 1 & 2
3.	113030	Hyd. Chain Case Motor
3a.	119110	Seal Kit for Item 3
4.	122024	Valve, Flow Control
5.	122025	Valve, Check
6.	120004	½” x 90° Steel Line
7.	108010	Pickup Head Hose (Return) 8M2T-8FJX10MB-01700
8.	108098	Check Valve to Flow Control Hose 8M2T-8FJX12FJX-02400
9.	108027	Pickup Head Hose (Pressure) 8M2T-10MB8MP-02100
10.	108134-A	Semi-end Tray Hose (Return) 8M2T-12FJX8FJX-17000
11.	108133	Semi-end Tray Hose (Pressure) 8M2T-8MP8FJX-16700
12a.	108130	88” Center Dump Tray Hose (Pressure) 8M2T-8MP8FJX-17400
12b.	108209	118”- 76” Offset Center Dump Tray Hose (Pressure) 8M2T-8MP8FJX-15600
12c.	108230	178”- 14” Offset Center Dump Tray Hose (Pressure) 8M2T-8MP8FJX-11000
13a.	108134	88” Center Dump Tray Hose (Return/Pressure) 8M2T-8FJX8FJX-17000
13b.	108210	118”- 76” Offset Center Dump Tray (Return/Pressure) 8M2T-8FJX8FJX-15200
13c.	108210	178”- 14” Offset Center Dump Tray (Return/Pressure) 8M2T-8FJX8FJX-15200
14a.	108132-A	88” Center Dump Tray Hose (Return) 8M2T-12FJX8FJX-26200
14b.	108208-A	118”- 76” Offset Center dump Tray Hose (Return) 8M2T-12FJX8FJX-23200
14c.	108134-A	178”- 14” Offset Center dump Tray Hose (Return) 8M2T-12FJX8FJX-17000
15.	108205-A	Tractor Reservoir Hose (Return) 12M2T-8MP12FJX-23600
16.	108158	Chain Case Inlet Hose (Pressure) 12M2T-8MP12FJX45s-09800
17.	108207	Chain Case Outlet Hose (Return/Pressure) 12M2T-12FJX12FJX45s-21400

**Hardware List**

<u>Item No.</u>	<u>Part No.</u>	<u>Description</u>
A.	101081	6801-8-8, O-Ring 90°
B.	101090	6901-12-8, O-Ring 90°
C.	101148	6801-12-12, O-Ring 90°
D.	101061	6400-12-10, O-Ring Straight
E.	101117	6500-8-8, Standard 90°
F.	101146	6804-8-12-8, O-Ring Tee
G.	101223	2650-12-12-12-12, Male JIC Cross
H.	101222	6402-12-12, O-Ring Straight Swivel
I.	101080	6801-8-12, O-Ring 90°
J.	101120	6802-8-10, O-Ring 45°
K.	101221	2406-12-8, Straight Reducer (with #8, O-Ring)
L.	101149	6602-12-12-12, Standard Tee
M.	101160	Male Quick Coupler



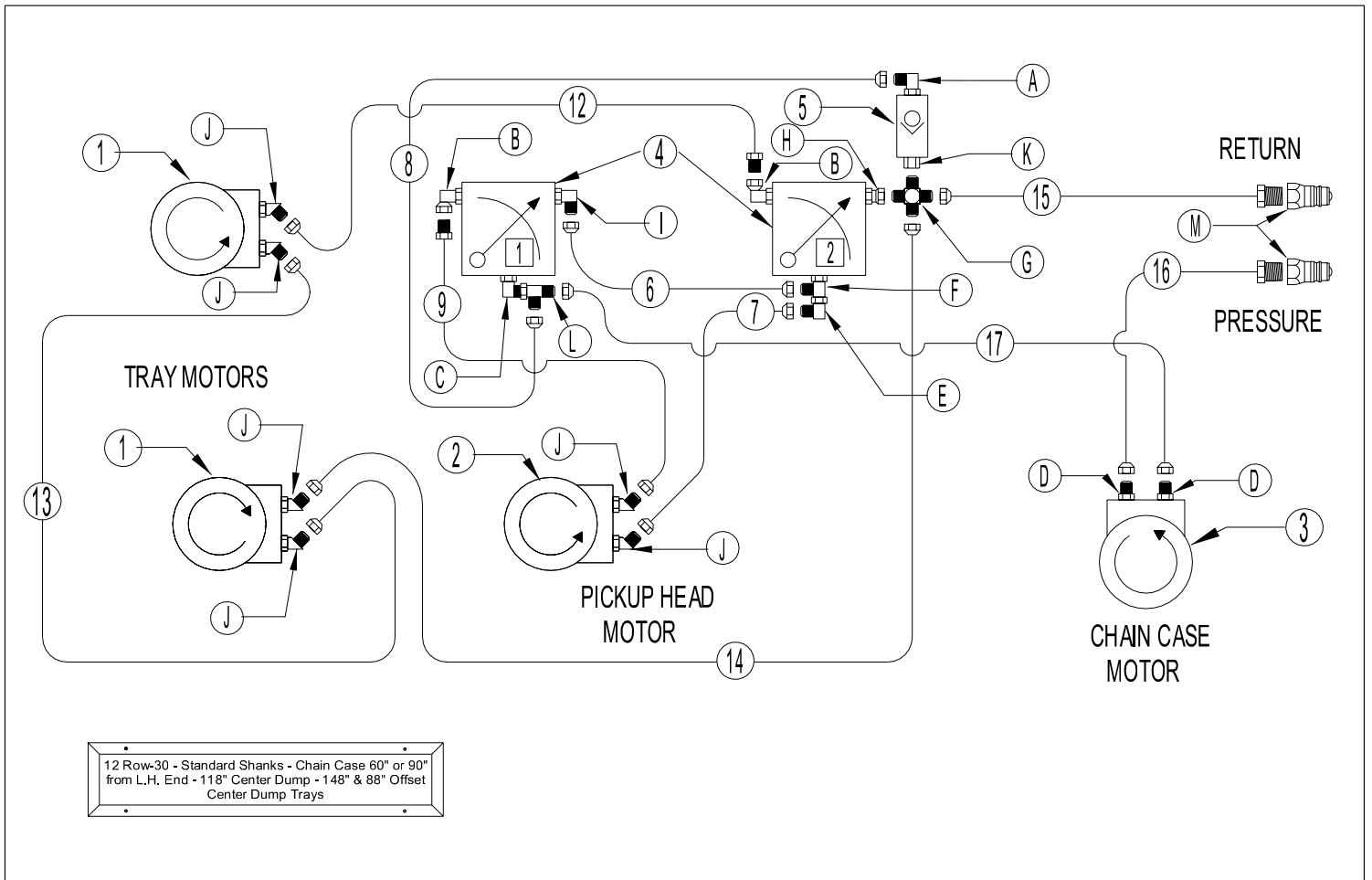
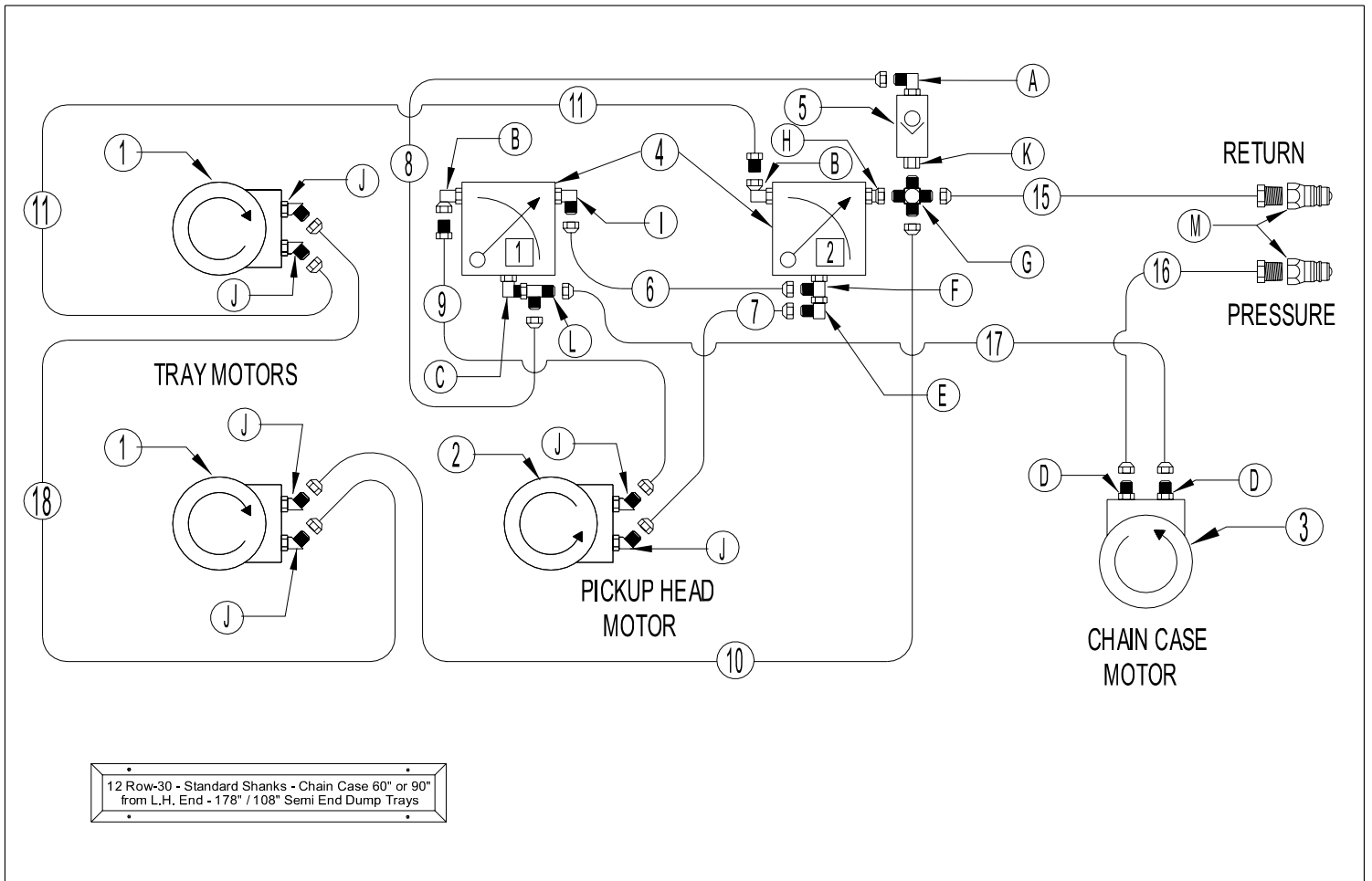
**ONE STEP™ 12 Row 22" – Standard Shanks – Chain Case behind L.R.  
Tractor tire – 88" Center Semi-End Dump – 76" & 118" Offset Center Semi-  
End Dump (2011-Present)**

**Parts List**

<u>Item No.</u>	<u>Part No.</u>	<u>Description</u>
1.	113022	Hydraulic Table Motor
2.	113023	Hydraulic Pickup Head Motor
2a.	119109	Seal Kit for Items 1 & 2
3.	113030	Hyd. Chain Case Motor
3a.	119110	Seal Kit for Item 3
4.	122024	Valve, Flow Control
5.	122025	Valve, Check
6.	108098	Check Valve to Flow Control Hose 8M2T-8FJX12FJX-02400
7.	108010	Pickup Head Hose (Return) 8M2T-8FJX10MB-01700
8.	108205-A	Tractor Reservoir Hose (Return) 12M2T-8MP12FJX-23600
9.	108158	Chain Case Inlet Hose (Pressure) 12M2T-8MP12FJX45s-09800
10.	108207	Chain Case Outlet Hose (Return/Pressure) 12M2T-12FJX12FJX45s-21400
11.	108027	Pickup Head Hose (Pressure) 8M2T-10MB8MP-02100
12.	122027	Directional Valve
13.	120004	½" × 90° Steel Line (Pressure) 800
14a.	108134	88" Trays – Tray Hose (Return/Pressure) 8M2T-8FJX8FJX-17000 (2 Required)
14b.	108210	76" & 118" Trays – Tray Hose (Return/Pressure) 8M2T-8FJX8FJX-15200 (2 Required)
15a.	108132	88" Trays– Tray Hose (Return) 8M2T-8FJX8FJX-26200
15b.	108208	76" & 118" Trays – Tray Hose (Return) 8M2T-8FJX8FJX-23200
16.	108142	Flow Control to Directional Valve (Pressure) 8M2T-8MP8FJX-02800
17.	108219	Tray Hose (Return/Pressure) 8M2T-8FJX8FJX-09200
18.	108220	Tray Hose (Return/Pressure) 8M2T-8FJX8FJX-09600
19a.	108221	88" Trays– Transversing Motor Hose 6M2T-8MP8FJX-38400 (2 Required)
19b.	108123	76" & 118" Trays – Transversing Motor Hose 6M2T-8MP8FJX-37200 (2 Required)
20a.	108132-A	88" Trays– Tray Hose (Return) 8M2T-8FJX12FJX-26200
20b.	108208-A	76" & 118" Trays – Tray Hose (Return) 8M2T-8FJX12FJX-23200

**Hardware List**

<u>Item No.</u>	<u>Part No.</u>	<u>Description</u>
A.	101080	6801-8-12, O-Ring 90°
B.	101090	6901-12-8, O-Ring 90°
C.	101148	6801-12-12, O-Ring 90°
D.	101061	6400-12-10, O-Ring Straight
E.	101081	6801-8-8, O-Ring 90°
F.	101146	6804-8-12-8, O-Ring Tee
G.	101223	2650-12-12-12-12, Male JIC Cross
H.	101222	6402-12-12, O-Ring Straight Swivel
I.	101149	6602-12-12-12, Standard Tee
J.	101154	6801-8-6, O-Ring 90°
K.	101221	2406-12-8, Straight Reducer (with #8, O-Ring)
L.	101117	6500-8-8, Standard 90°
M.	101120	6802-8-10, O-Ring 45°
N.	101041	2700-8-8, Bulkhead Straight
O.	101064	6400-8-10, O-Ring Straight
P.	101160	Male Quick Coupler





**ONE STEP™ 12 Row 30" – Standard Shanks – Chain Case 60" or 90" from L.H. End – 178" / 108" Semi-end Dump - 118" Center Dump, 148" & 88" Offset Center Dump (2011-Present)**

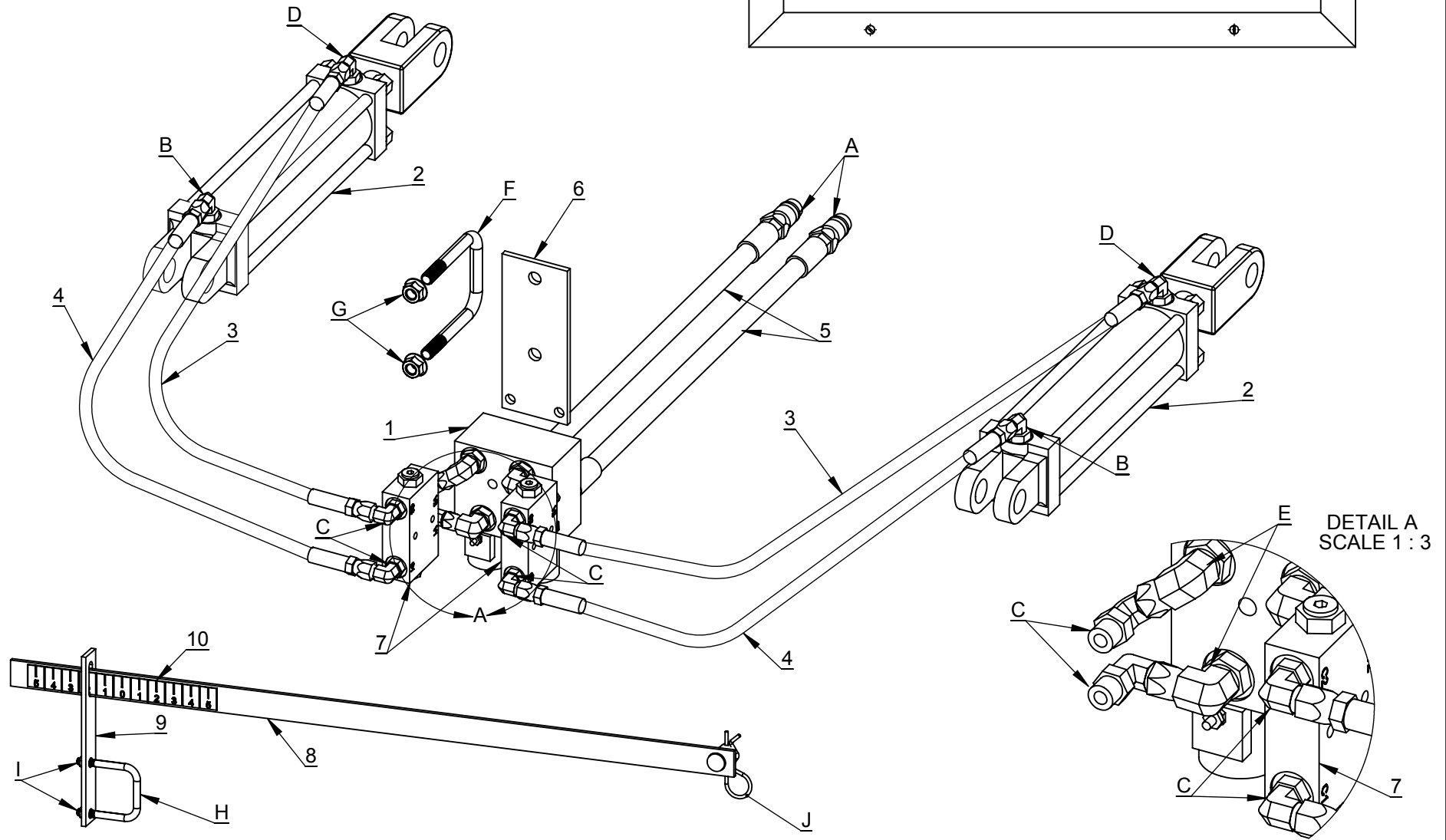
**Parts List**

<u>Item No.</u>	<u>Part No.</u>	<u>Description</u>
1.	113022	Hydraulic Table Motor
2.	113023	Hydraulic Pickup Head Motor
2a.	119109	Seal Kit for Items 1 & 2
3.	113030	Hyd. Chain Case Motor
3a.	119110	Seal Kit for Item 3
4.	122024	Valve, Flow Control
5.	122025	Valve, Check
6.	120004	½" x 90° Steel Line (Pressure) 800
7.	108122	Pickup Head Hose (Return) 8M2T-8FJX8FJX-02100
8.	108098	Check Valve to Flow Control Hose 8M2T-8FJX12FJX-02400
9.	108142	Pickup Head Hose (Pressure) 8M2T-8FJX8MP-02800
10.	108248-A	178" / 108" Semi-end Tray Hose (Return) 8M2T-12FJX8FJX-27600
11.	108133	Semi-end Tray Hose (Pressure) 8M2T-8MP8FJX-16700
12a.	108108	118" Center Dump Tray Hose (Pressure) 8M2T-8MP8FJX-19100
12b.	108130	148"- 88" Offset Center Dump Tray Hose (Pressure) 8M2T-8MP8FJX-17400
13a.	108006	118" Center Dump Tray Hose (Return/Pressure) 8M2T-8FJX8FJX-20800
13b.	108006	148"-88" Offset Center Dump Tray Hose (Return/Pressure) 8M2T-8FJX8FJX-20800
14a.	108249-A	118" Center Dump Tray Hose (Return) 8M2T-12FJX8FJX-33600
14b.	108250-A	148"- 88" Offset Center Dump Tray Hose (Return) 8M2T-12FJX8FJX-30600
15.	108255	Tractor Reservoir Hose (Return) 12M2T-8MP12MP-28000
16a.	108166	Chain Case 90" from L.H. End—Inlet Hose (Pressure) 12M2T-8MP12FJX45s-15800
16b.	108165	Chain Case 60" from L.H. End—Inlet Hose (Pressure) 12M2T-8MP12FJX45s-18800
17a.	108253	Chain Case 90" from L.H. End—Outlet hose 12M2T-12FJX12FJX45s-31800
17b.	108254	Chain Case 60" from L.H. End—Outlet hose 12M2T-12FJX12FJX45s-34800
18.	108006	178" / 108" Semi-end Tray Hose (Return/Pressure) 8M2T-8FJX8FJX-20800

**Hardware List**

<u>Item No.</u>	<u>Part No.</u>	<u>Description</u>
A.	101081	6801-8-8, O-Ring 90°
B.	101090	6901-12-8, O-Ring 90°
C.	101148	6801-12-12, O-Ring 90°
D.	101061	6400-12-10, O-Ring Straight
E.	101117	6500-8-8, Standard 90°
F.	101146	6804-8-12-8, O-Ring Tee
G.	101223	2650-12-12-12-12, Male JIC Cross
H.	101222	6402-12-12, O-Ring Straight Swivel
I.	101080	6801-8-12, O-Ring 90°
J.	101120	6802-8-10, O-Ring 45°
K.	101221	2406-12-8, Straight Reducer (with #8, O-Ring)
L.	101149	6602-12-12-12, Standard Tee
M.	101160	Male Quick Coupler

**Gauge Wheel Adjustment Kit # 405053**  
**6 Row 30, 8 Row 22 & 12 Row 22**  
**Rear Pull with P.O. Checks**  
**With Gauge Wheels at 180" or 176"**



**FRONT GAUGE WHEEL ADJUSTMENT Option # 405053**

6 Row 30, 8 Row 22 & 12 Row 22, Rear Pull – w / P. O. Checks – Gauge Wheels at 180” or 176”

**Parts List**

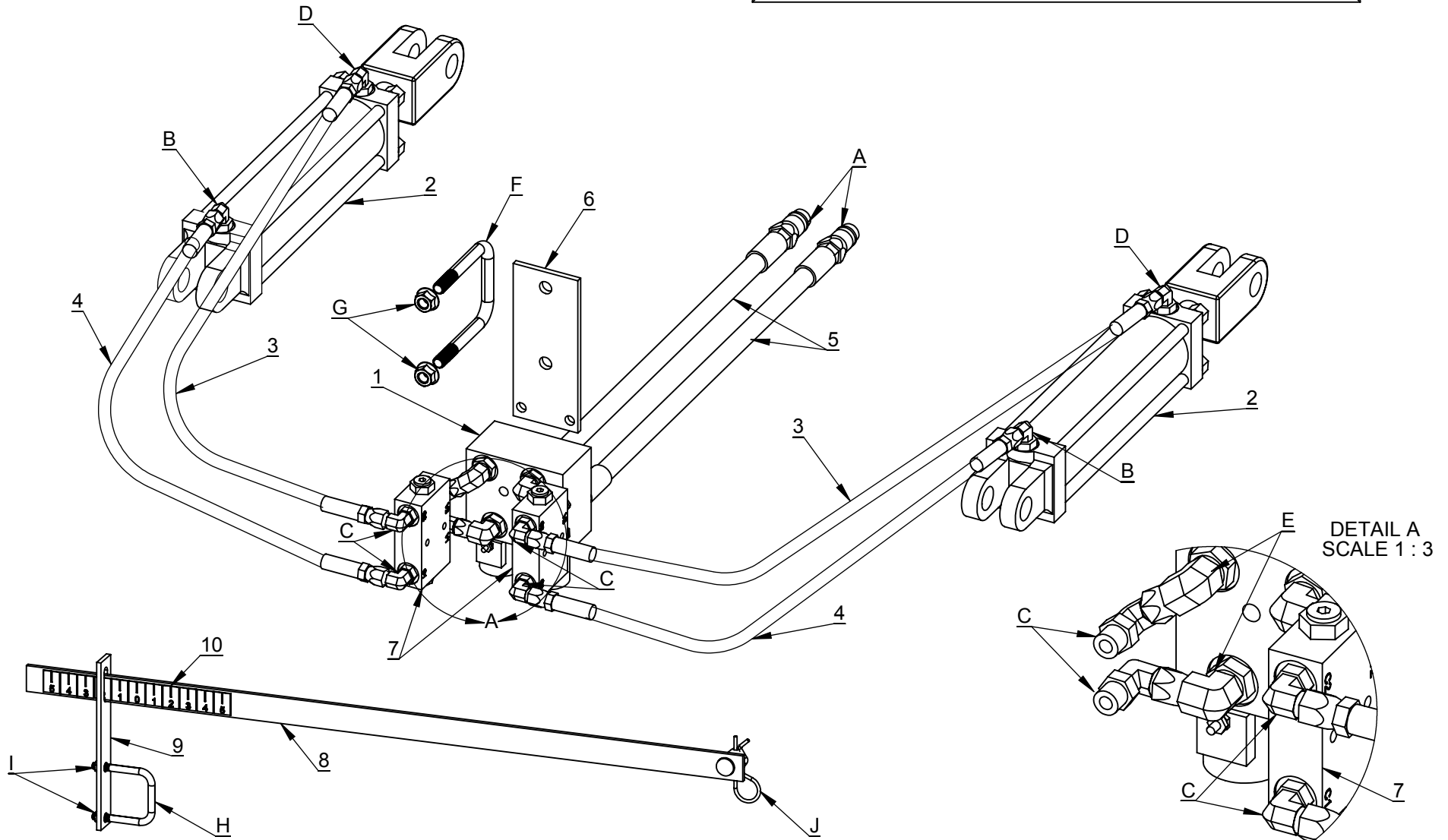
<u>Item No.</u>	<u>Part No.</u>	<u>Qty</u>	<u>Description</u>
1.	122037★	1	Valve Kit (includes electrical switches, wiring harness & diagrams)
2.	103027	2	Cylinder, Hydraulic (2 1/2” × 8”)
3.	108201-A	2	Hose, Hydraulic (4M2T-6FJX6FJX-13000)
4.	108202-A	2	Hose, Hydraulic (4M2T-6FJX6FJX-12000)
5.	108203	2	Hose, Hydraulic (8M2T-8MB8MB-06000)
6.	901576	1	Valve Mounting Plate
7.	122058	2	Dual P. O. Check Valve
8.	905465	2	Depth Gauge Marker Arm
9.	905463	2	Marker Arm Support Plate
10.	112032	2	Depth Gauge Marker Label

**Hardware List**

<u>Item No.</u>	<u>Part No.</u>	<u>Qty</u>	<u>Description</u>
A.		2	Pioneer Quick Coupler (included in Valve Kit # 122037)
B.	101224	2	6801R-6-8 MJ-MAORB 90° Restrictor
C.	101215	8	6801 6-6 MJ-MAORB 90°
D.	101188	2	6801 6-8 MJ-MAORB 90°
E.	101216	4	6809 8-6 MAORB-FJS 90°
F.	121005	1	Type F, U-Bolt
G.		2	1/2”NC Whiz Nut
H.	121005	2	Type N, U-Bolt
I.		4	3/8” NC Whiz Nut
J.	116009	2	Hair Pin

★ Contact Pickett Equipment for valve kit individual part numbers and part availability.

**Gauge Wheel Adjustment Kit # 405054**  
**8 Row 30 Rear Pull with P.O. Checks**  
**With Gauge Wheels at 240"**



**FRONT GAUGE WHEEL ADJUSTMENT Option # 405054**

8 Row 30, Rear Pull – w / P. O. Checks – Gauge Wheels at 240”

**Parts List**

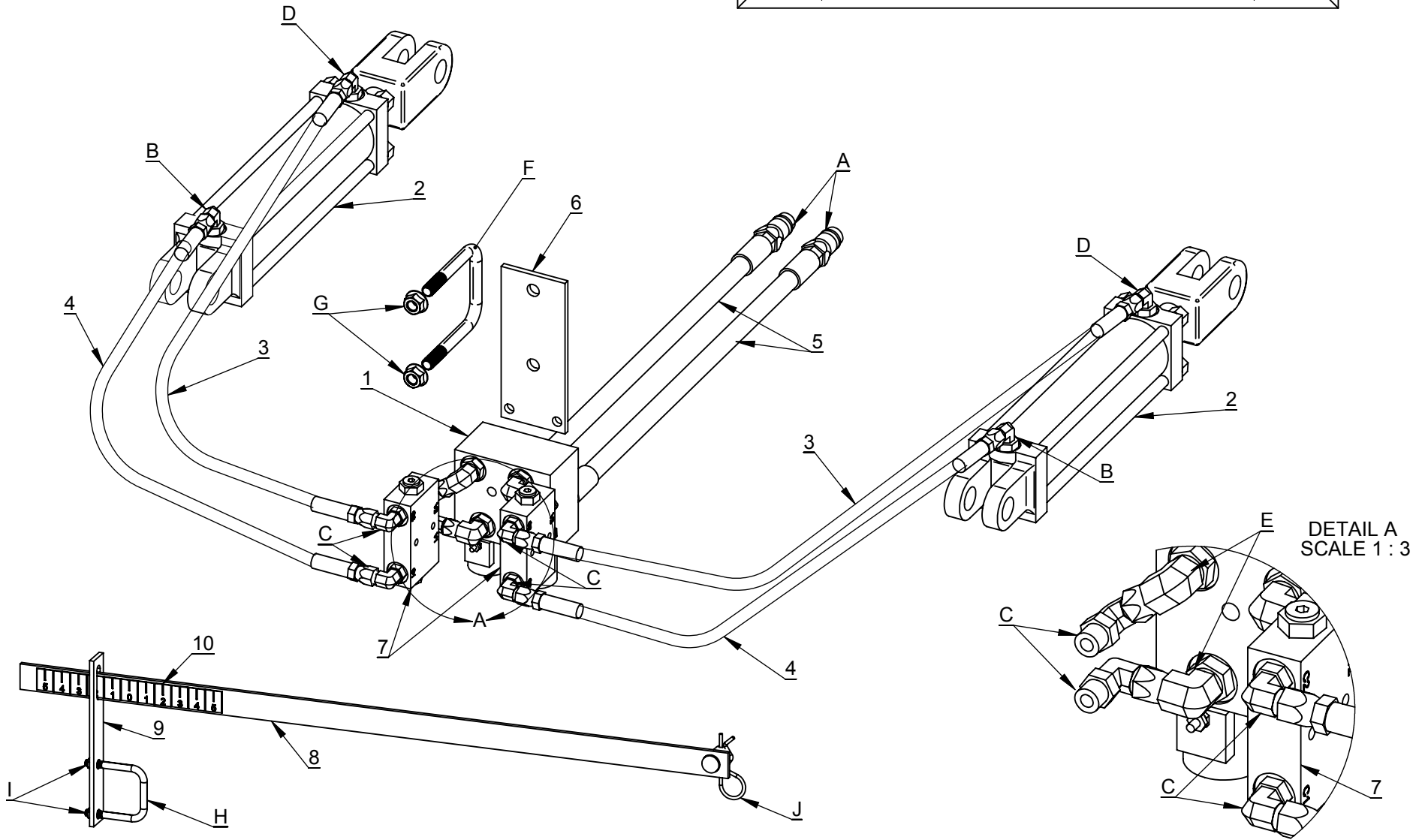
<u>Item No.</u>	<u>Part No.</u>	<u>Qty</u>	<u>Description</u>
1.	122037★	1	Valve Kit (includes electrical switches, wiring harness & diagrams)
2.	103027	2	Cylinder, Hydraulic (2 1/2" × 8")
3.	108152-A	2	Hose, Hydraulic (4M2T-6FJX6FJX-16000)
4.	108153-A	2	Hose, Hydraulic (4M2T-6FJX6FJX-15000)
5.	108203	2	Hose, Hydraulic (8M2T-8MB8MB-06000)
6.	901576	1	Valve Mounting Plate
7.	122058	2	Dual P. O. Check Valve
8.	905465	2	Depth Gauge Marker Arm
9.	905463	2	Marker Arm Support Plate
10.	112032	2	Depth Gauge Marker Label

**Hardware List**

<u>Item No.</u>	<u>Part No.</u>	<u>Qty</u>	<u>Description</u>
A.		2	Pioneer Quick Coupler (included in Valve Kit # 122037)
B.	101224	2	6801R-6-8 MJ-MAORB 90° Restrictor
C.	101215	8	6801 6-6 MJ-MAORB 90°
D.	101188	2	6801 6-8 MJ-MAORB 90°
E.	101216	4	6809 8-6 MAORB-FJS 90°
F.	121005	1	Type F, U-Bolt
G.		2	1/2"NC Whiz Nut
H.	121005	2	Type N, U-Bolt
I.		4	3/8" NC Whiz Nut
J.	116009	2	Hair Pin

★ Contact Pickett Equipment for valve kit individual part numbers and part availability.

**Gauge Wheel Adjustment Kit # 405063**  
**12 Row 22 Rear Pull with P.O. Checks**  
**With Gauge Wheels at 264"**



**FRONT GAUGE WHEEL ADJUSTMENT Option # 405063**

12 Row 22, Rear Pull – w / P. O. Checks – Gauge Wheels at 264”

**Parts List**

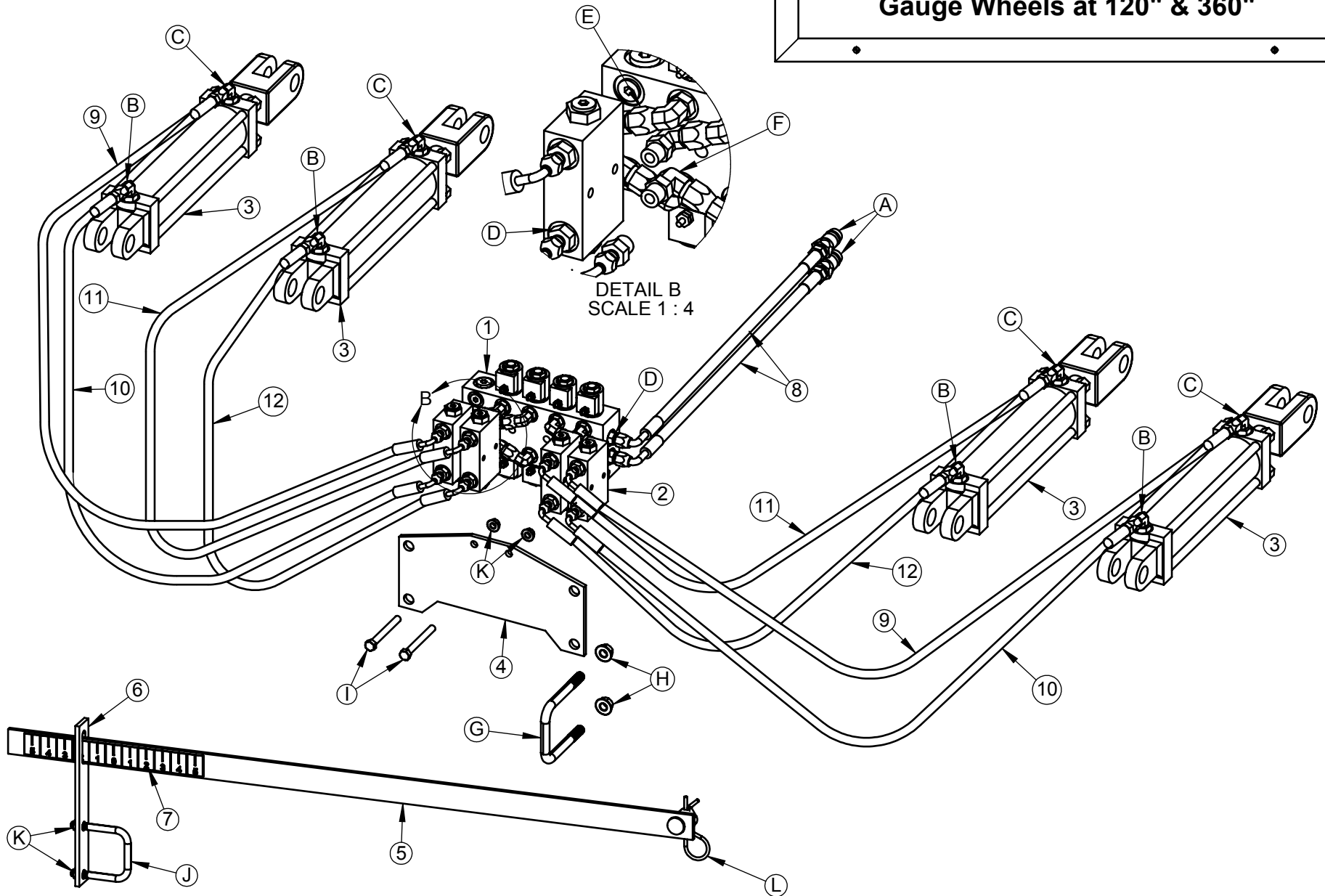
<u>Item No.</u>	<u>Part No.</u>	<u>Qty</u>	<u>Description</u>
1.	122037★	1	Valve Kit (includes electrical switches, wiring harness & diagrams)
2.	103027	2	Cylinder, Hydraulic (2 1/2" × 8")
3.	108324-A	2	Hose, Hydraulic (4M2T-6FJX6FJX-17000)
4.	108152-A	2	Hose, Hydraulic (4M2T-6FJX6FJX-16000)
5.	108203	2	Hose, Hydraulic (8M2T-8MB8MB-06000)
6.	901576	1	Valve Mounting Plate
7.	122058	2	Dual P. O. Check Valve
8.	905465	2	Depth Gauge Marker Arm
9.	905463	2	Marker Arm Support Plate
10.	112032	2	Depth Gauge Marker Label

**Hardware List**

<u>Item No.</u>	<u>Part No.</u>	<u>Qty</u>	<u>Description</u>
A.		2	Pioneer Quick Coupler (included in Valve Kit # 122037)
B.	101224	2	6801R-6-8 MJ-MAORB 90° Restrictor
C.	101215	8	6801 6-6 MJ-MAORB 90°
D.	101188	2	6801 6-8 MJ-MAORB 90°
E.	101216	4	6809 8-6 MAORB-FJS 90°
F.	121005	1	Type F, U-Bolt
G.		2	1/2"NC Whiz Nut
H.	121005	2	Type N, U-Bolt
I.		4	3/8" NC Whiz Nut
J.	116009	2	Hair Pin

★ Contact Pickett Equipment for valve kit individual part numbers and part availability.

**Gauge Wheel Adjustment Kit # 405051**  
**12-30 Rear Pull with P.O. Checks**  
**Gauge Wheels at 120" & 360"**





## Front Gauge Wheel Hydraulic Adjustment Option # 405051

12 Row 30 Rear Pull — w / P.O. Checks — Gauge Wheels at 120" & 360"

### Parts List

<u>Item No.</u>	<u>Part No.</u>	<u>Qty</u>	<u>Description</u>
1.	122050*	1	Valve Kit (includes electrical switches, wiring harness & diagrams)
2.	122058	4	Dual P.O. Check Valve
3.	103027	4	Cylinder, Hydraulic (2 1/2" x 8")
4.	901777	1	Hydraulic Gauge Wheel Valve Mount
5.	905465	4	Depth Gauge Marker Arm
6.	905463	4	Marker Arm Support Plate
7.	112032	4	Depth Gauge Marker Label
8.	108285	2	Hose Hydraulic 6M2T-8MP6FJX90-06000
9.	108286-A	2	Hose Hydraulic 4M2T-6FJX906FJX-21000
10.	108287-A	2	Hose Hydraulic 4M2T-6FJX906FJX-19800
11.	108288-A	2	Hose Hydraulic 4M2T-6FJX906FJX-12000
12.	108289-A	2	Hose Hydraulic 4M2T-6FJX906FJX-10800

### Hardware List

<u>Item No.</u>	<u>Part No.</u>	<u>Qty</u>	<u>Description</u>
A.	101160	2	Quick Coupler
B.	101224	4	6801R 6-8 MJ-MAORB 90° Restrictor
C.	101188	4	6801 6-8 MJ-MAORB 90°
D.	101186	10	6400 6-6 MJ-MORB Straight
E.	101214	8	6809 6-6 MAORB-FJS 90°
F.	101215	8	6801 6-6 MJ-MAORB 90°
G.	121005	2	Type F, U-Bolt
H.		4	1/2" NC Whiz Nut
I.		2	3/8" x 3 1/4" NC Hex Bolt
J.	121016	4	Type N, U-Bolt
K.		10	3/8" NC Whiz Nut
L.	116009	4	Hair Pin

\* Contact Pickett Equipment for valve kit individual part numbers and part availability.