

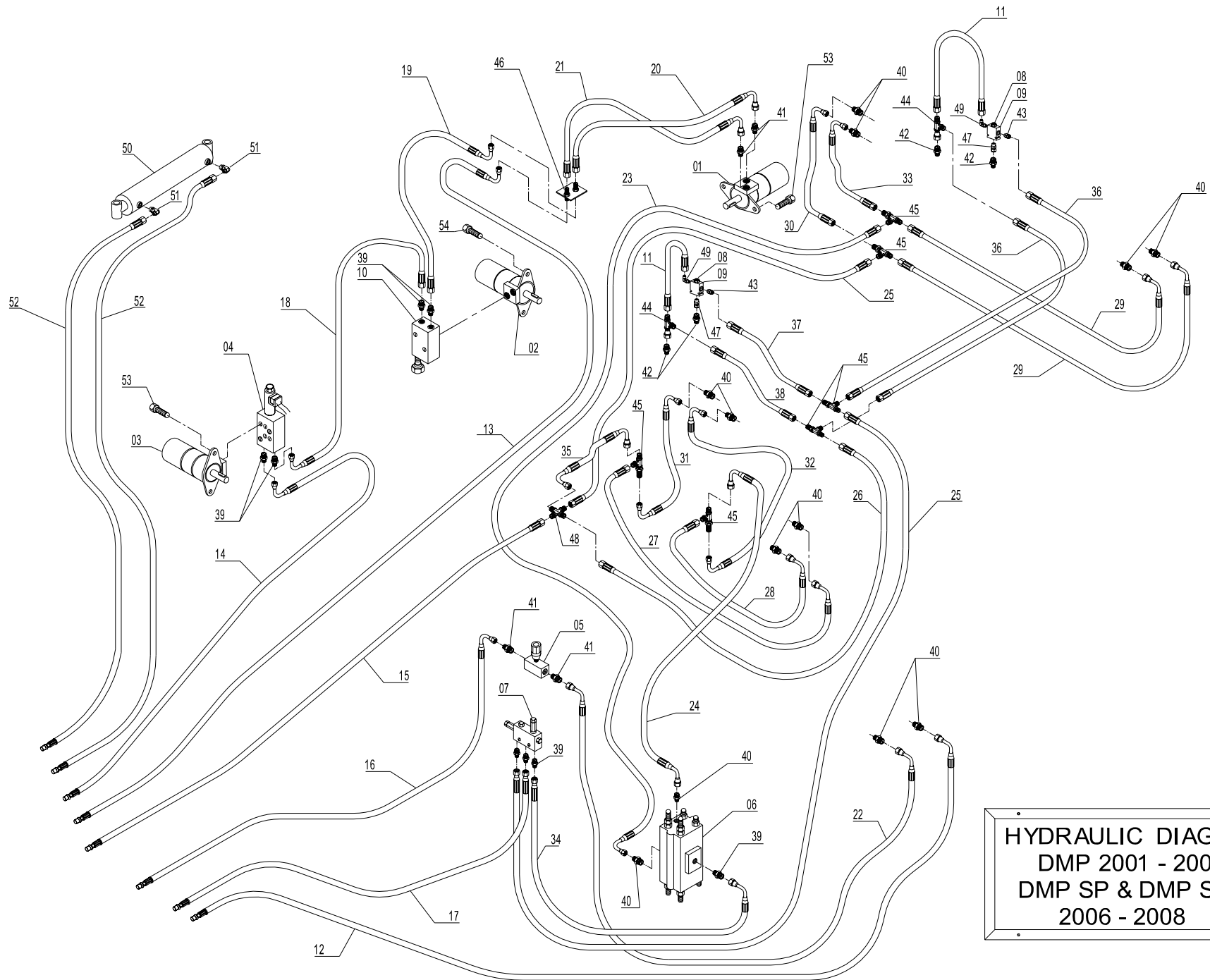
Double Master Plus Combine

Hydraulic Diagram

Section 10

Hydraulic Diagram (DMP 2001 – 2009) (DMP SP2 2006 – 2008).....	2-4
Hydraulic Diagram (DMP SP2 2009 only).....	5-7
Hydraulic Diagram (DMP SP2 2010 – Present).....	8-10
Hydraulic Diagram (DMP Straight Pull 2010 – Present).....	11-12
2000 Bin & Pickup Head Lift Hydraulic Diagram.....	13-14
2000 Motor Circuit Hydraulic Diagram.....	15-16

Return to this page by clicking the upper right corner of any page in this section.



HYDRAULIC DIAGRAM
 DMP 2001 - 2009
 DMP SP & DMP SP2
 2006 - 2008

Hydraulic Diagram (Straight Pull 2001 – 2009) (SP & SP2 2006 – 2008)

Parts List

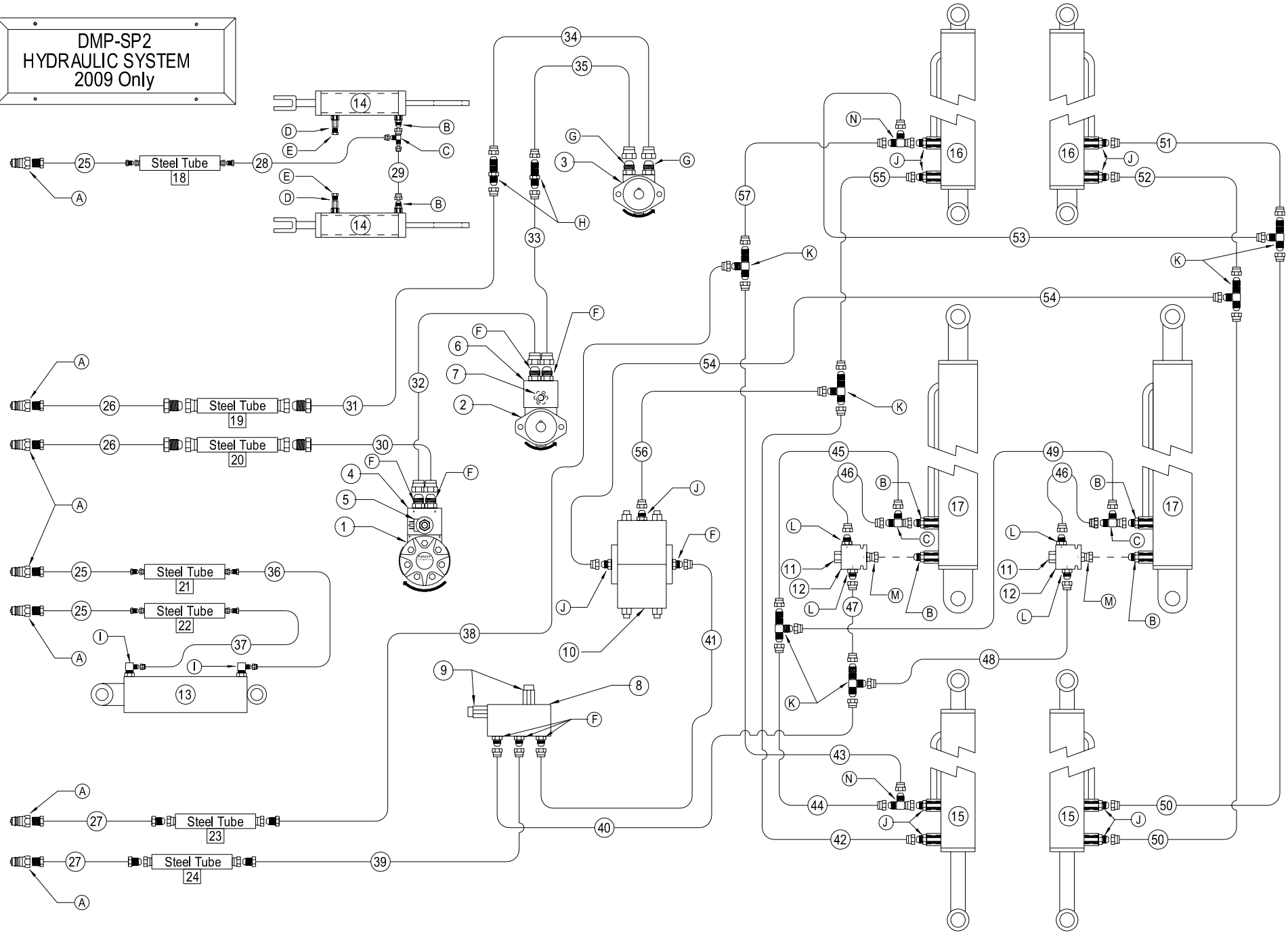
<u>Item</u>	<u>Part No.</u>	<u>Qty</u>	<u>Description</u>
01.	113035	1	Hydraulic Motor, Leveling Auger GFS 250cc
02.	113034	1	Hydraulic Motor, Shaker Table GFS 100cc
03.	113036	1	Hydraulic Motor, Pickup Head GFS 400cc
04	3.919.0198-9	1	Valve, Electric Flow Control (includes manifold and cartridge valve)
04a.	122048		Valve, Electric Flow Control (replacement cartridge only)
05.	3.919.0124-2	1	Valve, Flow Restrictor
06.	122045	1	Valve, Flow Divider
07.	3.919.0043-2	1	Valve, Sequencing
07a.	122054	2	Valve, Sequencing (replacement cartridge only)
08.	122052	2	Valve, Pilot Operated Check
09.	122053	2	Valve, Body Pilot Operated Check
10.	3.919.0143-7	1	Valve, Manual Flow Control (includes manifold and cartridge valve)
10a.	122049		Valve, Manual Flow Control (replacement cartridge only)
11.	108244	2	Hose, 1/2" 8FJX-8FJX – 16"
12.	3.002.0233-1	1	Hose, 1/2" 8MP-10FJX90 – 303" (straight pull)
12a.		1	Hose, 1/2" 8MP-10FJX90 – 410" (side pull)
13.	3.002.0234-8	1	Hose, 1/2" 8MP-10FJX90 – 331" (straight pull)
13a.		1	Hose, 1/2" 8MP-10FJX90 – 421" (side pull)
14.	3.002.0235-6	1	Hose, 1/2" 8MP-10FJX90 – 268" (straight pull)
14a.		1	Hose, 1/2" 8MP-10FJX90 – 370" (side pull)
15.	3.002.0236-4	1	Hose, 1/2" 8MP-10FJX – 197" (straight pull)
15a.		1	Hose, 1/2" 8MP-10FJX – 315" (side pull)
16.	3.002.0237-2	1	Hose, 1/2" 8MP-10FJX90 – 165" (straight pull)
16a.		1	Hose, 1/2" 8MP-10FJX90 – 283" (side pull)
17.	3.002.0238-9	1	Hose, 1/2" 8MP-10FJX – 165" (straight pull)
17a.		1	Hose, 1/2" 8MP-10FJX – 283" (side pull)
18.	3.002.0239-7	1	Hose, 1/2" 10FJX-10FJX90 – 209" (straight pull)
18a.		1	Hose, 1/2" 10FJX-10FJX90 – 330" (side pull)
19.	3.002.0240-4	1	Hose, 1/2" 10FJX-10FJX90 – 87"
20.	3.002.0241-2	1	Hose, 1/2" 10FJX-10FJX90 – 38"
21.	3.002.0242-9	1	Hose, 1/2" 10FJX-10FJX90 – 39"
22.	3.002.0243-7	1	Hose, 1/2" 10FJX90-10FJX90 – 134"
23.	3.002.0244-5	1	Hose, 1/2" 10FJX-10FJX90 – 126"
24.	3.002.0245-3	1	Hose, 1/2" 10FJX90-10FJX90 – 39"
25.	3.002.0246-1	2	Hose, 1/2" 10FJX-10FJX – 118"
26.	3.002.0247-8	1	Hose, 1/2" 10FJX-10FJX – 122"
27.	3.002.0249-4	1	Hose, 1/2" 10FJX-10FJX90 – 197"
28.	3.002.0250-1	1	Hose, 1/2" 10FJX-10FJX90 – 75"
29.	3.002.0261-5	2	Hose, 1/2" 10FJX-10FJX90 – 87"
30.	3.002.0253-4	1	Hose, 1/2" 10FJX-10FJX90 – 22"

Hydraulic Diagram (Straight Pull 2001 – 2009) (SP & SP2 2006 – 2008)

Parts List

<u>Item</u>	<u>Part No.</u>	<u>Qty</u>	<u>Description</u>
31.	3.002.0254-2	1	Hose, 1/2" 10FJX90-10FJX90 – 39"
32.	3.002.0254-2	1	Hose, 1/2" 10FJX90-10FJX90 – 39"
33.	3.002.0255-6	1	Hose, 1/2" 10FJX-10FJX90 – 20"
34.	3.002.0256-7	1	Hose, 1/2" 10FJX-10FJX90 – 14"
35.	3.002.0257-5	1	Hose, 1/2" 10FJX90-10FJX90 – 6"
36.	3.002.0258-3	1	Hose, 1/2" 8FJX-10FJX – 130"
37.	3.002.0259-1	1	Hose, 1/2" 8FJX-10FJX45 – 30"
38.	3.002.0260-7	1	Hose, 1/2" 8FJX90-10FJX – 33"
39.	101165	8	Adaptor, 10MJ-10MORB Straight
40.	3.919.0132-3	12	Adaptor, 10MJ-8MORB Straight
41.	3.919.0134-8	2	Adaptor, 10MJ-8MP Straight
42.	101066	4	Adaptor, 8MJ-8MORB Straight
43.	101065	2	Adaptor, 8MJ-6MORB Straight
44.	101079	2	Adaptor, 8MJ-8FJS-8MJ Tee
45.	101169	6	Adaptor, 10MJ-10MJ-10MJ Bulkhead Tee
46.	101170	2	Adaptor, 10MJ-10MJ Bulkhead Straight
47.	101217	2	Adaptor, 6MORB-8FJS Straight
48.	3.919.0175-3	1	Adaptor, 10MJ-10MJ-10MJ-10MJ Cross
49.	101154	2	Adaptor, 8MJ-6MAORB 90°
50.	103159	1	Tongue Swing Ram (4 x 20) (side pull only)
51.	101207	2	Adaptor, 6MJ-10MAORB 90° (side pull only)
52.	108290	2	Hose, 3/8" 8MP-6FJX – 316" (side pull only)
53.	3.901.0041-7	4	Hex Bolt, 1/2" x 1 3/4"
54.	3.901.0039-3	2	Hex Bolt, 1/2" x 1 1/2"
Not Shown	119190		Seal Kit for GFS Motors
Not Shown	119232		Seal Kit for White Motors
Not Shown	119231		Seal Kit for Char-Lynn Motors

DMP-SP2
HYDRAULIC SYSTEM
2009 Only



DMP – SP & SP2 Hydraulic System (2009 Only)

Parts List

<u>Item</u>	<u>Part No.</u>	<u>Qty</u>	<u>Description</u>
1.	113036	1	Hydraulic Motor, Pickup Head GFS 400cc
2.	113034	1	Hydraulic Motor, Shaker Table GFS 100cc
3.	113035	1	Hydraulic Motor, Leveling Auger GFS 250cc
4.	3.919.0198-9	1	Valve, Electric Flow Control (includes housing & Item # 5)
5.	122048	1	Valve, Electric Flow Control (replacement cartridge only)
6.	3.919.0143-7	1	Valve, Manual Flow Control (includes housing & Item # 7)
7.	122049	1	Valve, Manual Flow Control (replacement cartridge only)
8.	3.919.0043-2	1	Valve, Sequencing (includes housing & Item # 9)
9.	122054	2	Valve, Sequencing (replacement cartridge only)
10.	122045	1	Valve, Flow Divider
11.	122052	2	Valve, Pilot Operated Check (cartridge only)
12.	122053	2	Valve, Pilot Operated Check (housing only)
13.	103159	1	Ram, Swing Tongue 4" x 20"
14.	3.919.0173-7	2	Ram, Pickup Head Lift
15.	3.919.0195-6	2	Ram, Scissor Lift LH Side
16.	3.919.0023-8	2	Ram, Scissor Lift RH Side
16a.	119193		Seal Kit, For Items # 15 & 16
17.	3.919.0022-1	2	Ram, Bin Dump
17a.	119194		Seal Kit, For Item # 17
18.	120033	1	Steel Tube # 6 Approximately 174" Pickup Head Lift
19.	120035	1	Steel Tube # 12 Approximately 176" Motor Circuit
20.	120037	1	Steel Tube # 12 Approximately 180" Motor Circuit
21.	120032	1	Steel Tube # 6 Approximately 171" Tongue Swing
22.	120034	1	Steel Tube # 6 Approximately 173" Tongue Swing
23.	120036	1	Steel Tube # 8 Approximately 174" Dump Bin
24.	120038	1	Steel Tube # 8 Approximately 177" Dump Bin
25.	108267	3	Hose, Pickup Head & Swing Tongue 6M2T-8MP-6MJ-56.00"
26.	108269	2	Hose, Tractor to Pickup Head Motor 12M2T-8MP-12MJ-56.00"
27.	108274	2	Hose, Dump Bin 8M2T-8MP-8MJ-56.00"
28.	108313	1	Hose, Pickup Head Lift 6M2T-8FJX-6MJ-180.00"
29.	108322	1	Hose, Pickup Head Lift 6M2T-8FJX-8FJX-64.00"
30.	108312	1	Hose, Pickup Head Motor 10M2T-10FJX-12MJ-140.00"
31.	108310	1	Hose, Motor Circuit Return 10M2T-10FJX90-12MJ-276.00"
32.	108311	1	Hose, Pickup to Shaker 10M2T-10FJX-10FJX-288.00"
33.	108303	1	Hose, Shaker Motor 10M2T-10FJX-10FJX90-91.00"
34.	108302	1	Hose, Leveling Auger Motor 10M2T-10FJX45-10FJX90-41.00" - 180°
35.	108301	1	Hose, Leveling Auger Motor 10M2T-10FJX45-10FJX90-38.00" - 180°
36.	108297	1	Hose, Swing Ram 6M2T-6FJX-6MJ-66.00"
37.	108296	1	Hose, Swing Ram 6M2T-6FJX-6MJ-73.50"
38.	108315	1	Hose, Dump Bin Return 8M2T-10FJX90-8MJ-72.00"

DMP – SP & SP2 Hydraulic System (2009 Only)

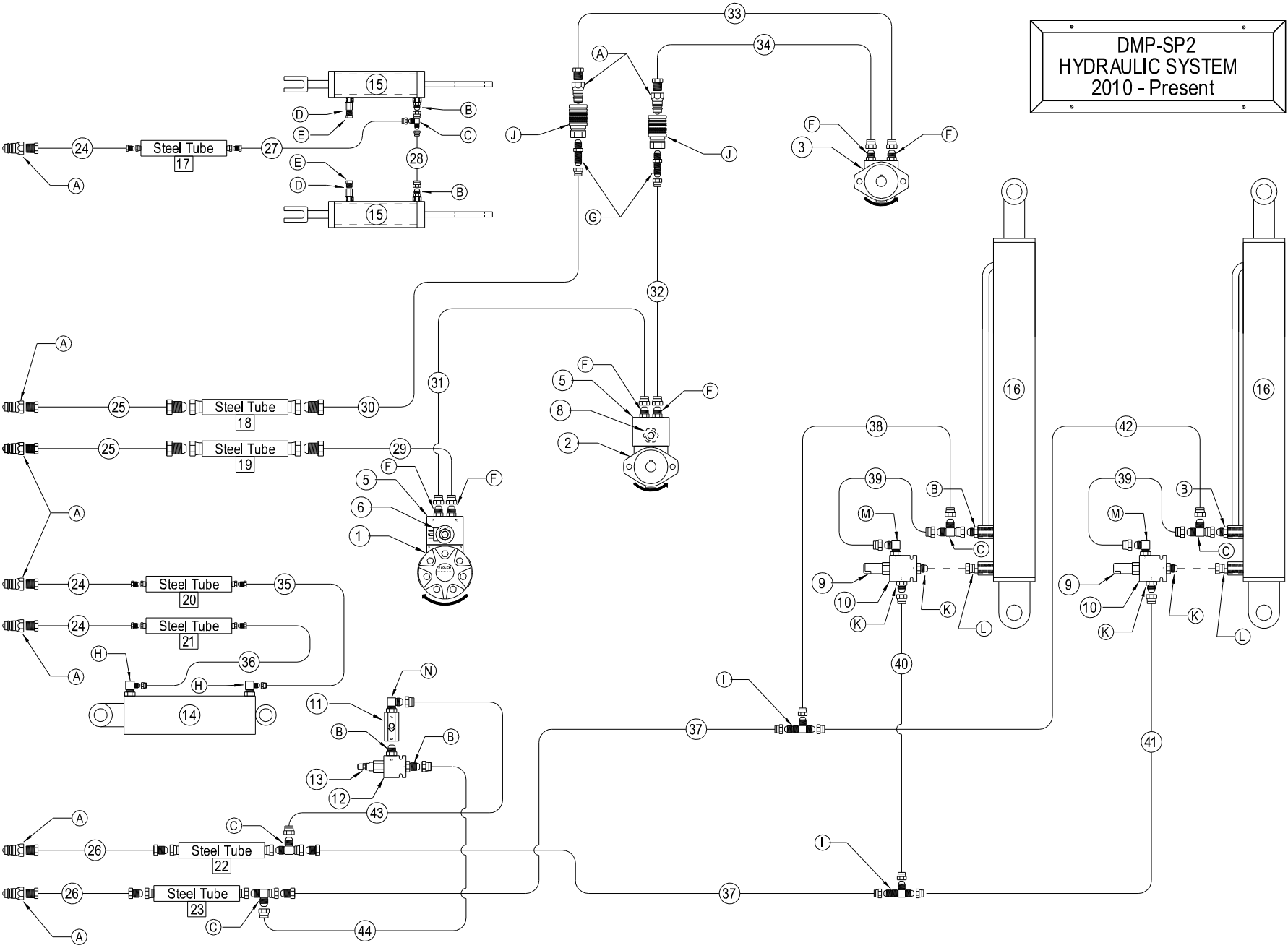
Parts List

<u>Item</u>	<u>Part No.</u>	<u>Qty</u>	<u>Description</u>
39.	108320	1	Hose, Dump Bin 8M2T-8MJ-10FJX90-63.00"
40.	108319	1	Hose, Dump Bin 8M2T-10FJX-10FJX90-146.50"
41.	108321	1	Hose, Dump Bin 8M2T-10FJX-10FJX90-18.00"
42.	108317	1	Hose, Dump Bin 8M2T-10FJX90-10FJX45-128.00" - 90°
43.	108316	1	Hose, Dump Bin 8M2T-10FJX45-10FJX45-110.00" - 260°
44.	108318	1	Hose, Dump Bin 8M2T-10FJX90-10FJX-56.00"
45.	108304	1	Hose, Dump Bin Ram 8M2T-10FJX-8FJX45-30.50"
46.	108295	2	Hose, Pilot Check Valve 6M2T-8FJX-8FJX90-20.00"
47.	108306	1	Hose, Dump Bin Ram 8M2T-10FJX-8FJX90-27.50"
48.	108294	1	Hose, Dump Bin Ram 8M2T-10FJX-8FJX90-129.00"
49.	108293	1	Hose, Dump Bin Ram 8M2T-10FJX-8FJX45-129.00"
50.	108300	2	Hose, Dump Bin Scissor Ram 8M2T-10FJX45-10FJX90-87.00" - 0°
51.	108299	1	Hose, Dump Bin Scissor Ram 8M2T-10FJX-10FJX90-22.50"
52.	108298	1	Hose, Dump Bin Scissor Ram 8M2T-10FJX-10FJX90-21.00"
53.	108308	1	Hose, Dump Bin 8M2T-10FJX-10FJX90-116.00"
54.	108309	1	Hose, Dump Bin 8M2T-10FJX-10FJX90-147.00"
55.	108305	1	Hose, Dump Bin 8M2T-10FJX90-10FJX90-72.00" - 100°
56.	108314	1	Hose, Dump Bin 8M2T-10FJX90-10FJX90-15.00" - 180°
57.	108307	1	Hose, Dump Bin Scissor Ram 8M2T-10FJX90-10FJX90-70.00" - 90°

Hardware List

<u>Item</u>	<u>Part No.</u>	<u>Qty</u>	<u>Description</u>
A.	101160	7	Male Quick Coupler
B.	101066	6	6400 8-8 – MJ-MORB Straight
C.	101079	3	6602 8-8-8 – MJ-FJS-MJ Tee
D.	101200	2	6405 8-4 – MORB-FP Straight
E.	101153	2	1/4" Breather
F.	101165	8	6400 10-10 – MJ-MORB Straight
G.	3.919.0134-8	2	2404 10-8 – MJ-MP Straight
H.	101170	2	2700 10-10 – Bulkhead Straight
I.	101207	2	6801 6-10 – MJ-MAORB
J.	3.919.0132-3	10	6400 10-8 – MJ-MORB Straight
K.	101169	6	2704 10-10-10 – MJ-MJ-MJ Bulkhead Tee
L.	101065	4	6400 8-6 – MJ-MORB Straight
M.	101217	2	6402 6-8 – FJS-MORB Straight
N.	101218	2	6602 10-10-10 – MJ-FJS-MJ Tee

DMP-SP2
HYDRAULIC SYSTEM
2010 - Present



DMP – SP2 Hydraulic System (2010 – Present)

Parts List

<u>Item</u>	<u>Part No.</u>	<u>Qty</u>	<u>Description</u>
1.	113038	1	Hydraulic Motor, Pickup Head & Star (2015 - present)
1a.	113040	1	Hydraulic Motor, Pickup Head (2010 – 2014)
2.	113039-RT	1	Hydraulic Motor, Shaker Table
3.	113041	1	Hydraulic Motor, Leveling Auger
4.	119110		Seal Kit for Item 1
4a.	119109		Seal Kit for Items 1a, 2 & 3
5.	113042-D	2	Flow Control Valve Manifold
6.	122048	1	Valve, Electric Flow Control Cartridge
7.	103188	1	Coil, Electric Flow Control Valve Replacement for Item 6
8.	122051	1	Valve, Manual Flow Control Cartridge
9.	122047	2	Valve, Counter Balance Cartridge
10.	122053	2	Valve Body, Counter Balance
11.	122025	1	Check Valve, One Way
12.	122056	1	Valve Body, Pressure Relief
13.	122055	1	Valve, Pressure Relief
14.	103159	1	Ram, Swing Tongue 4" x 20"
14a.	119363		Seal Kit for Item 14
15.	3.919.0173-7	2	Ram, Pickup Head Lift
15a.	119191		Seal Kit for Item 15
16.	036.740-7	2	Ram, Bin Dump 3 1/2" x 2 1/4" x 1340 mm
16a.	119335		Seal Kit for Item 16
17.	120033	1	Steel Tube # 6 Approximately 174" Pickup Head Lift
18.	120035	1	Steel Tube # 12 Approximately 176" Motor Circuit
19.	120037	1	Steel Tube # 12 Approximately 180" Motor Circuit
20.	120032	1	Steel Tube # 6 Approximately 171" Tongue Swing
21.	120034	1	Steel Tube # 6 Approximately 173" Tongue Swing
22.	120036	1	Steel Tube # 8 Approximately 174" Dump Bin
23.	120038	1	Steel Tube # 8 Approximately 177" Dump Bin
24.	108267	3	Hose, Pickup Head & Swing Tongue 6M2T-8MP-6MJ-56.00"
25.	108269	2	Hose, Tractor to Pickup Head Motor 12M2T-8MP-12MJ-56.00"
26.	108274	2	Hose, Dump Bin 8M2T-8MP-8MJ-56.00"
27.	108313	1	Hose, Pickup Head Lift 6M2T-8FJX-6MJ-180.00"
28.	108322	1	Hose, Pickup Head Lift 6M2T-8FJX-8FJX-64.00"
29.	108325	1	Hose, Pickup Head Motor 8M2T-8FJX-12MJ-140.00"
30.	108326	1	Hose, Motor Circuit Return 8M2T-8FJX-12MJ-72.00"
31.	108327	1	Hose, Pickup to Shaker 8M2T-8FJX-8FJX-288.00"
32.	108328	1	Hose, Shaker Motor 8M2T-8FJX-8FJX90- 128.00"
33.	108329	1	Hose, Leveling Auger Motor 8M2T-8MP-8FJX90-228.00"
34.	108330	1	Hose, Leveling Auger Motor 8M2T-8MP-8FJX90-216.00"
35.	108297	1	Hose, Swing Ram 6M2T-6FJX-6MJ-66.00"
36.	108296	1	Hose, Swing Ram 6M2T-6FJX-6MJ-73.50"
37.	108331	2	Hose, Dump Bin Pressure/Return 8M2T-8FJX-8MJ-84.00"

DMP – SP2 Hydraulic System (2010 – Present)

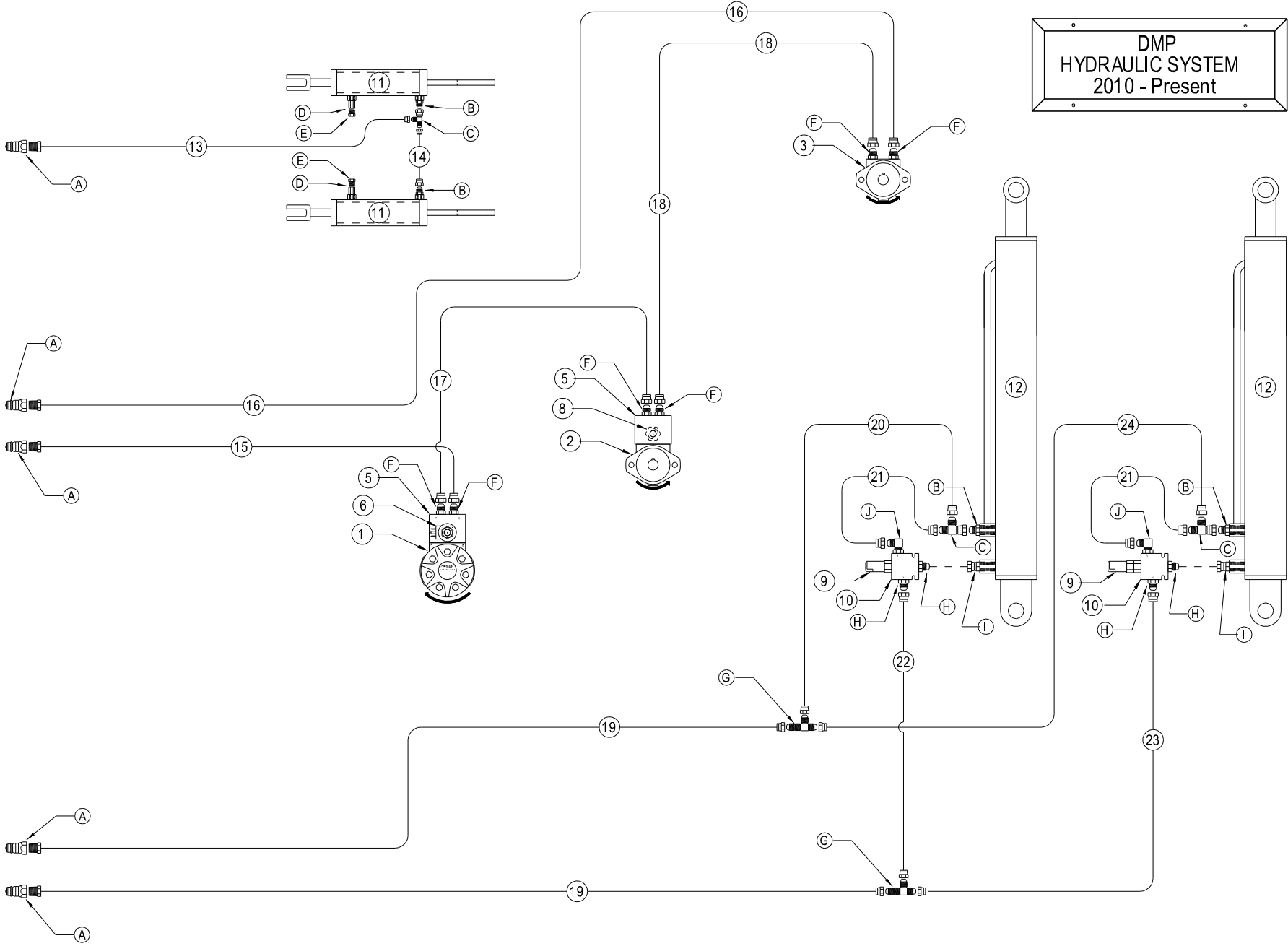
Parts List

<u>Item</u>	<u>Part No.</u>	<u>Qty</u>	<u>Description</u>
38.	108332	1	Hose, Dump Bin Ram 8M2T-8FJX-8FJX90-55.00"
39.	108295	2	Hose, Pilot Check Valve 6M2T-8FJX-8FJX90-20.00"
40.	108333	1	Hose, Dump Bin Ram 8M2T-8FJX-8FJX90-39.00"
41.	108334	1	Hose, Dump Bin Ram 8M2T-8FJX-8FJX-128.00"
42.	108335	1	Hose, Dump Bin Ram 8M2T-8FJX-8FJX-131.00"
43.	108342	1	Hose, Pressure Relief Valve 8M2T-8FJX-8FJX90-20.00"
44.	108343	1	Hose, Pressure Relief Valve 8M2T-8FJX-8FJX90-24.00"

Hardware List

<u>Item</u>	<u>Part No.</u>	<u>Qty</u>	<u>Description</u>
A.	101160	9	Male Quick Coupler
B.	101066	6	6400 8-8 – MJ-MORB Straight
C.	101079	5	6602 8-8-8 – MJ-FJS-MJ Tee
D.	101200	2	6405 8-4 – MORB-FP Straight
E.	101153	2	1/4" Breather
F.	101064	6	6400 8-10 – MJ-MORB Straight
G.	101041	2	2700 8-8 – MJ-MJ Bulkhead Straight
H.	101207	2	6801 6-10 – MJ-MAORB 90°
I.	101042	2	2704 8-8-8 – MJ-MJ-MJ Bulkhead Tee
J.		2	Female quick coupler 8 FORB
K.	101065	4	6400 8-6 – MJ-MORB Straight
L.	101068	2	6402 8-8 – MORB-FJS Straight
M.	101154	2	6801 8-6 – MJ-MAORB 90°
N.	101081	1	6801 8-8 – MJ-MAORB 90°

DMP
HYDRAULIC SYSTEM
2010 - Present



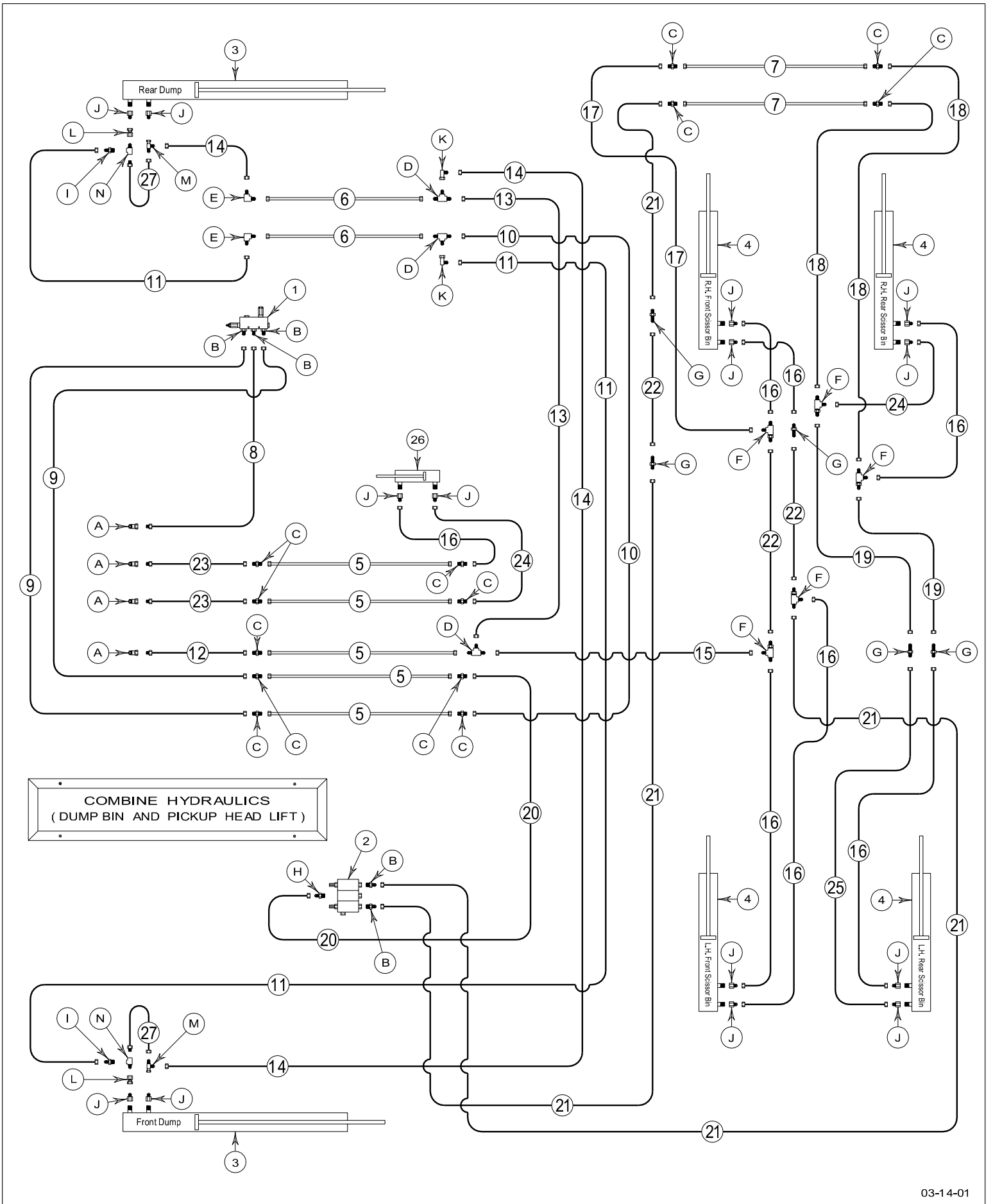
DMP Straight Pull Hydraulic System (2010 – Present)

Parts List

<u>Item</u>	<u>Part No.</u>	<u>Qty</u>	<u>Description</u>
1.	113038	1	Hydraulic Motor, Pickup Head & Star (2015 - present)
1a.	113040	1	Hydraulic Motor, Pickup Head (2010 – 2014)
2.	113039-RT	1	Hydraulic Motor, Shaker Table
3.	113041	1	Hydraulic Motor, Leveling Auger
4.	119110		Seal Kit for Item 1
4a.	119109		Seal Kit for Items 1a, 2 & 3
5.	113042-D	2	Flow Control Valve Manifold
6.	122048	1	Valve, Electric Flow Control Cartridge
7.	103188	1	Coil, Electric Flow Control Valve Replacement for Item 6
8.	122051	1	Valve, Manual Flow Control Cartridge
9.	122047	2	Valve, Counter Balance Cartridge
10.	122053	2	Valve Body, Counter Balance
11.	3.919.0173-7	2	Ram, Pickup Head Lift
11a.	119191		Seal Kit for Item 11
12.	036.740-7	2	Ram, Bin Dump 3 1/2 x 2 1/4" x 1340 mm
12a.	119335		Seal Kit for Item 12
13.	108337	1	Hose, Pickup Head Lift 6M2T-8FJX-8MP-310.00"
14.	108322	1	Hose, Pickup Head Lift 6M2T-8FJX-8FJX-64.00"
15.	108338	1	Hose, Pickup Head Motor 8M2T-8FJX-8MP-270.00"
16.	108339	1	Hose, Motor Circuit Return 8M2T-8FJX90-8MP-430.00"
17.	108327	1	Hose, Pickup to Shaker 8M2T-8FJX-8FJX-288.00"
18.	108340	1	Hose, Leveling Auger Motor 8M2T-8FJX-8FJX90-344.00"
19.	108341	2	Hose, Dump Bin Pressure/Return 8M2T-8FJX-8MP-214.00"
20.	108332	1	Hose, Dump Bin Ram 8M2T-8FJX-8FJX90-55.00"
21.	108295	2	Hose, Pilot Check Valve 6M2T-8FJX-8FJX90-20.00"
22.	108333	1	Hose, Dump Bin Ram 8M2T-8FJX-8FJX90-39.00"
23.	108334	1	Hose, Dump Bin Ram 8M2T-8FJX-8FJX-128.00"
24.	108335	1	Hose, Dump Bin Ram 8M2T-8FJX-8FJX-131.00"

Hardware List

<u>Item</u>	<u>Part No.</u>	<u>Qty</u>	<u>Description</u>
A.	101160	5	Male Quick Coupler
B.	101066	4	6400 8-8 – MJ-MORB Straight
C.	101079	3	6602 8-8-8 – MJ-FJS-MJ Tee
D.	101200	2	6405 8-4 – MORB-FP Straight
E.	101153	2	1/4" Breather
F.	101064	6	6400 8-10 – MJ-MORB Straight
G.	101042	2	2704 8-8-8 – MJ-MJ-MJ Bulkhead Tee
H.	101065	4	6400 8-6 – MJ-MORB Straight
I.	101068	2	6402 8-8 – MORB-FJS Straight
J.	101154	2	6801 8-6 – MJ-MAORB 90°



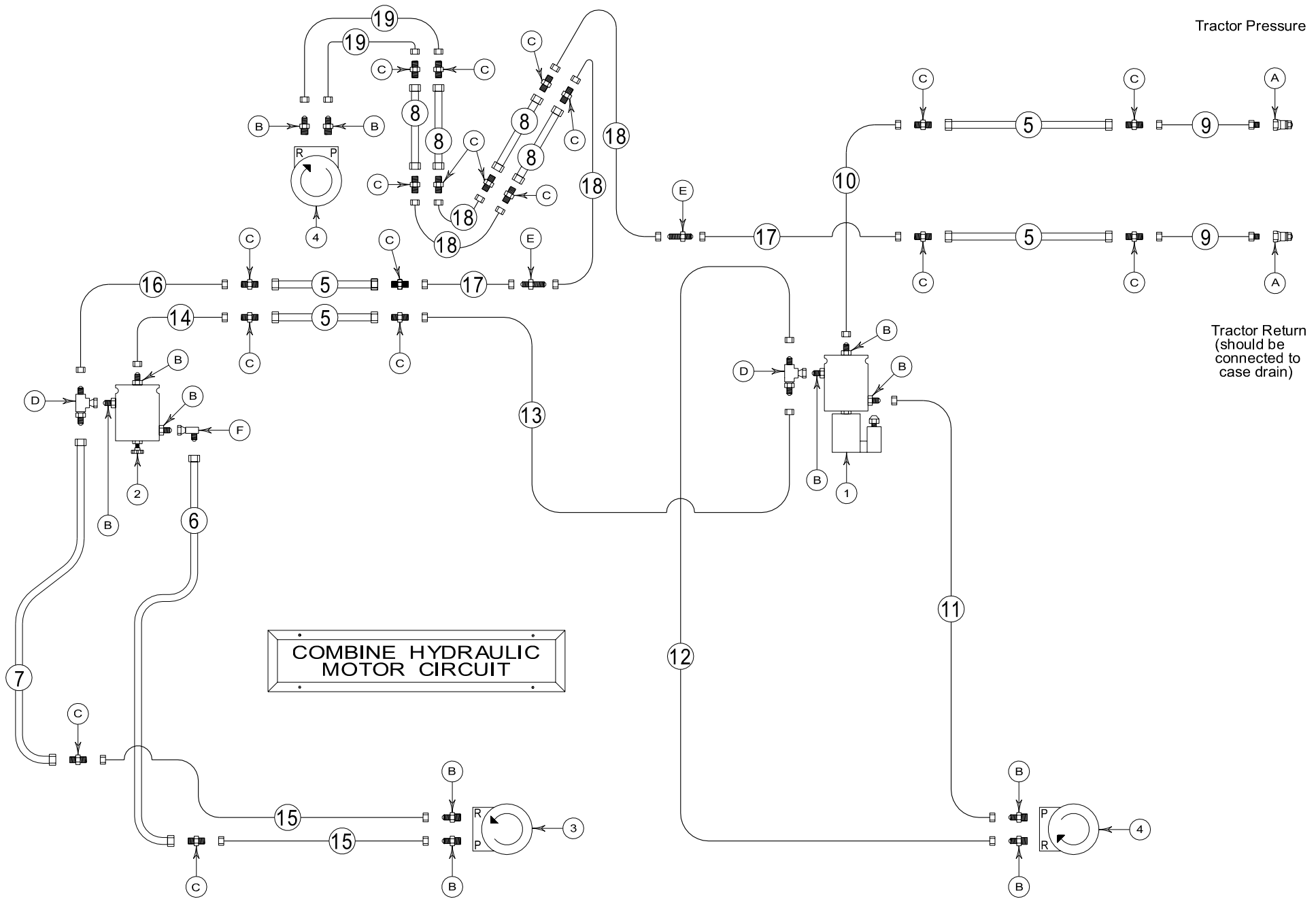
DMP Hydraulic System Dump Bin & Pickup Head Lift (2000)

Parts List

<u>Item</u>	<u>Part No.</u>	<u>Qty</u>	<u>Description</u>
1.	3.919.0043-2	1	Sequencing Valve
2.	122045	1	Flow Divider
3.	3.919.0022-1	2	Dump Bin Ram
4.	3.919.0023-8	4	Scissor Lift Ram
5.	120017	5	5/8" Steel Tube (57" Lg.)
6.	120018	2	5/8" Steel Tube (97" Lg.)
7.	120019	2	5/8" Steel Tube (91" Lg.)
8.	108170	1	Hydraulic Hose (8M2T-8MP10FJX90S-06200)
9.	108171	2	Hydraulic Hose (8M2T-10FJX90L10FJX-07000)
10.	108172	1	Hydraulic Hose (8M2T-10FJX90L10FJX-10200)
11.	108173	2	Hydraulic Hose (8M2T-10FJX6FJX-03800)
12.	108174	1	Hydraulic Hose (8M2T-8MP10FJX-12600)
13.	108175	1	Hydraulic Hose (8M2T-10FJX10FJX90S-10400)
14.	108176	2	Hydraulic Hose (8M2T-10FJX6FJX-04000)
15.	108177	1	Hydraulic Hose (8M2T-10FJX10FJX-04200)
16.	108178	7	Hydraulic Hose (8M2T-10FJX6FJX90S-03000)
17.	108179	1	Hydraulic Hose (8M2T-10FJX10FJX-01950)
18.	108180	2	Hydraulic Hose (8M2T-10FJX10FJX-02400)
19.	108181	2	Hydraulic Hose (8M2T-10FJX10FJX-04900)
20.	108182	1	Hydraulic Hose (8M2T-10FJX10FJX-01200)
21.	108183	3	Hydraulic Hose (8M2T-10FJX10FJX-03500)
22.	108184	3	Hydraulic Hose (8M2T-10FJX10FJX-04650)
23.	108185	2	Hydraulic Hose (8M2T-8MP10FJX-12000)
24.	108186	2	Hydraulic Hose (8M2T-10FJX6FJX90S-02800)
25.	108187	1	Hydraulic Hose (8M2T-10FJX6FJX90S-03200)
26.	3.919.0013-2	1	Pickup Head Lift Ram
27.	108196		Hydraulic Hose (4M2T-4MP6FJX-01600)

Hardware List

<u>Item</u>	<u>Part No.</u>	<u>Qty</u>	<u>Description</u>
A.	101160	4	Male Quick Coupler
B.	101165	5	6400 10-10 – MJ-MORB Straight
C.	101166	13	2403 10-10 – MJ-MJ Straight
D.	101167	3	2603 10-10-10 – MJ-MJ-MJ Tee
E.	101168	2	2500-10-10 – MJ-MJ 90°
F.	101169	5	2704LN-10-10-10 – MJ-MJ-MJ Bulkhead Tee
G.	101170	5	2700LN 10-10 – MJ-MJ Bulkhead Straight
H.	101171	1	6400 10-16 – MJ-MORB Straight
I.	101176	2	2404-6-6 – MJ-MP Straight
J.	101173	14	6677 6-6 – FJIS-MJ Straight
K.	101174	2	6500-10-10 – MJ-FJS 90°
L.	101177	2	6506-6-6 – FP-FJS Straight
M.	101178	2	6602-6-6-6 – MJ-FJS-MJ
N.	122044	2	Pilot Check Valve (PC37C)



DMP Hydraulic System Motor Circuit (2000)

Parts List

<u>Item</u>	<u>Part No.</u>	<u>Qty</u>	<u>Description</u>
1.	3.919.0029-5	1	Flow Control, Electric
1a.	122048		Flow Control, Electric Cartridge Valve Replacement for Item 1
2.	3.919.0034-3	1	Flow Control, Manual
2a.	122051		Flow Control, Manual Cartridge Valve Replacement for Item 2
3.	113032	1	Hydraulic Motor (Char-Lynn 101-1035)
4.	113033	2	Hydraulic Motor (Char-Lynn 101-1040)
	119231		Seal Kit for Items 3 & 4
5.	120017	4	5/8" Steel Tube (57" Lg.)
6.	120020	1	5/8" Steel Tube (45" Lg.)
7.	120021	1	5/8" Steel Tube (39" Lg.)
8.	120022	4	5/8" Steel Tube (48" Lg.)
9.	108185	2	Hydraulic Hose (8M2T-8MP10FJX-12000)
10.	108188	1	Hydraulic Hose (8M2T-10FJX90S10FJX-01750)
11.	108189	1	Hydraulic Hose (8M2T-10FJX10FJX90S-05000)
12.	108190	1	Hydraulic Hose (8M2T-10FJX10FJX90S-05400)
13.	108191	1	Hydraulic Hose (8M2T-10FJX10FJX90L-01200)
14.	108192	1	Hydraulic Hose (8M2T-10FJX10FJX90S-01100)
15.	108193	2	Hydraulic Hose (8M2T-10FJX10FJX-02200)
16.	108194	1	Hydraulic Hose (8M2T-10FJX10FJX-02050)
17.	108177	2	Hydraulic Hose (8M2T-10FJX10FJX-04200)
18.	108181	4	Hydraulic Hose (8M2T-10FJX10FJX-04900)
19.	108195	2	Hydraulic Hose (8M2T-10FJX10FJX90S-02700)

Hardware List

<u>Item</u>	<u>Part No.</u>	<u>Qty</u>	<u>Description</u>
A.	101160	2	Male Quick Coupler
B.	101165	12	6400 10-10 – MJ-MORB Straight
C.	101166	18	2403 10-10 – MJ-MJ Straight
D.	101175	2	6600 10-10-10 – MJ-MJ-FJS Tee
E.	101170	2	2700LN 10-10 – MJ-MJ Bulkhead Straight
F.	101174	1	6500-10-10 – MJ-FJS 90°