

Service Updates

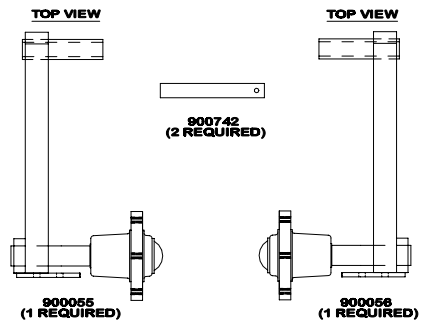
Gauge Wheel Conversion Kits

Section 6

Rear Gauge Wheel Conversion Kit (405021).....	2-3
Rear Gauge Wheel Conversion Kit (405022).....	4-5
Rear Gauge Wheel Conversion Kit (405023).....	6-7
6 Row 30 & 8 Row 22 Center Dump Tray Kit (900754)	8-9
6 Row 30 & 8 Row 22 Semi End Dump Tray Kit (900755)	10-11
Mud Scraper Conversion Kit (405017).....	12-13
One Step Ahead Rear Gauge Wheel Conversion Kit (405001).....	14-15
Small Wheel Conversion Kit (w/Tire) (405020).....	16-17
Rear Pull Underneath Bolt on Rear Gauge Wheel Kit (405028).....	18-19
One Step Ahead Underneath Bolt on Rear Gauge Wheel Kit (405029)	20-21

Return to this page by clicking the upper right corner of any page in this section.

PIVOT ARMS



FRAME MOUNTS



900533
(2 REQUIRED)

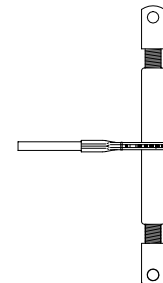


900522
(2 REQUIRED)



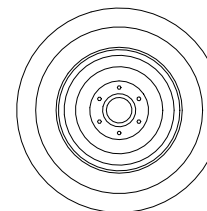
900534
(2 REQUIRED)

RACHET JACKS



120003
(2 REQUIRED)

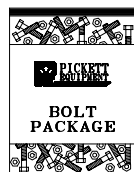
TIRES



123014
(2 REQUIRED)

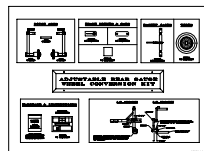
REAR GAUGE WHEEL CONVERSION KIT

HARDWARE & INSTRUCTIONS



BOLT PACKAGE
(SEE HARDWARE LIST
FOR COMPLETE BOLT
PACKAGE LISTINGS.)

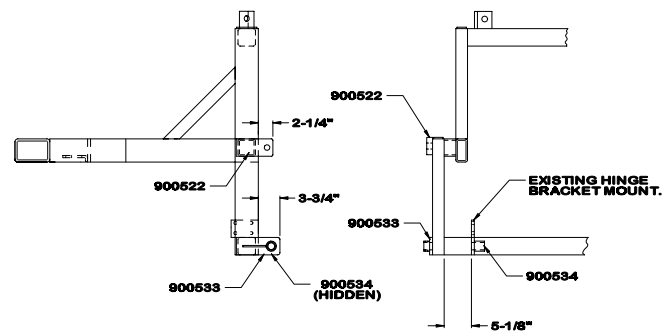
MOUNTING INSTRUCTIONS (1988-91 TO 1992)



901381
(1 REQUIRED)

L.H. SIDE VIEW

L.H. REAR VIEW



901381

REAR GAUGE WHEEL CONVERSION KIT (405021)

(Converts Models '88–'91 to Model '92)

Parts List

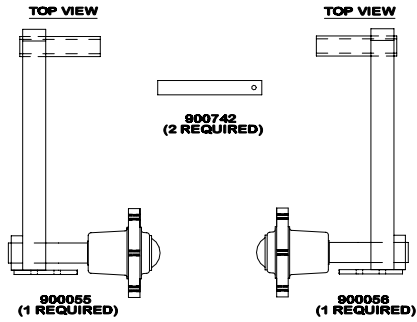
<u>Item No.</u>	<u>Part No.</u>	<u>Qty</u>	<u>Description</u>
1.	900534	2	Inner Frame Pivot Mount
2.	900533	2	Outer Frame Pivot Mount
3.	900522	2	Adjustment Mount (1 hole)
4.	900055	1	L.H. Pivot Arm Assembly (includes hub)
5.	900056	1	R.H. Pivot Arm Assembly (includes hub)
6.	120003	2	Gauge Wheel Ratchet Jack
7.	900742	2	Pivot Shaft
8.	123014	2	Tire Assembly (includes 120008, 123003 & 120007)
9.	901381	1	Mounting Instructions (1988–91 to 1992)

Hardware List

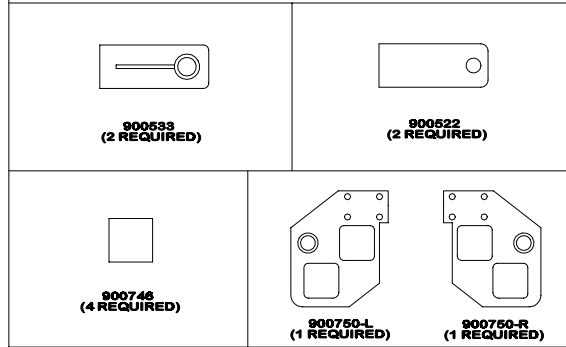
<u>Item No.</u>	<u>Part No.</u>	<u>Qty</u>	<u>Description</u>
A.		4	Ratchet Jack Pin (for use on item 6)
B.	116009	8	Pin, Hair (for use on item 6)
C.		2	$\frac{5}{16}$ " \times $2\frac{1}{4}$ " NC Hex Bolt (for use on items 4 & 5)
D.		2	$\frac{5}{16}$ " NC Whiz Nut (for use on items 4 & 5)
E.		12	$\frac{1}{2}$ " \times 1" NF Acorn Wheel Studs (for use on item 8)

Note: Use this kit when converting from a 1988–'91 to a model '92 to obtain adjustable rear gauge wheels, but the lower 3" \times 3" drop tube is not desired.

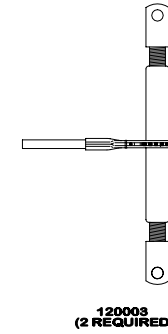
PIVOT ARMS



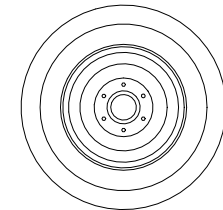
FRAME MOUNTS



RACHET JACKS

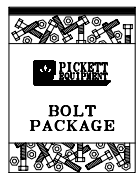


TIRES

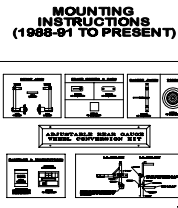


REAR GAUGE WHEEL CONVERSION KIT

HARDWARE & INSTRUCTIONS

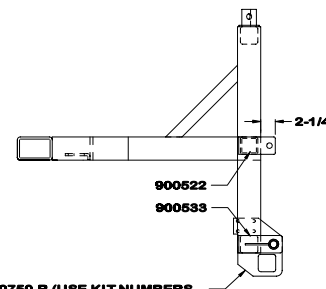


BOLT PACKAGE
(SEE HARDWARE LIST
FOR COMPLETE BOLT
PACKAGE LISTINGS.)

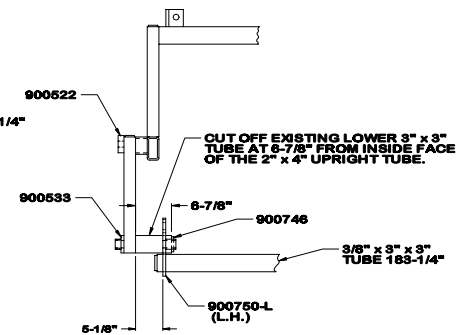


901382
(1 REQUIRED)

L.H. SIDE VIEW



L.H. REAR VIEW



900750-L & 900750-R (USE KIT NUMBERS 900754 OR 900755 IN CONJUNCTION WITH GAUGE WHEEL KITS). THE KIT YOU USE WILL BE DETERMINED BY THE TYPE OF TRAYS EXISTING ON THE MACHINE TO BE UPDATED.

REAR GAUGE WHEEL CONVERSION KIT (405022)

(Converts Model '88-'91 to Present)

Parts List

<u>Item No.</u>	<u>Part No.</u>	<u>Qty</u>	<u>Description</u>
1.	900750-R	1	R.H. Extension Plate
2.	900750-L	1	L.H. Extension Plate
3.	900522	2	Adjustment Mount (1 hole)
4.	900055	1	L.H. Pivot Arm Assembly (includes hub)
5.	900056	1	R.H. Pivot Arm Assembly (includes hub)
6.	120003	2	Gauge Wheel Ratchet Jack
7.	900742	2	Pivot Shafts
8.	123014	2	Tire Assembly (includes: 120008, 123003 & 120007)
9.	900533	2	Outer Frame Pivot Mount
10.	900746	4	Lower Tube End Cap
11.	901382	1	Mounting Instruction (1988-1991 to Present)
12.	Not Sold with this Kit	0	6-30 & 8-22 Lower Tube ($\frac{3}{8}$ " x 3" x 3" x 183 $\frac{1}{4}$) 900747

Hardware List

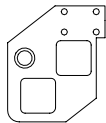
<u>Item No.</u>	<u>Part No.</u>	<u>Qty</u>	<u>Description</u>
A.		4	Ratchet Jack Pin (for use on item 6)
B.	116009	8	Pin, Hair (for use on item 6)
C.		2	$\frac{5}{16}$ " x $2\frac{1}{4}$ " NC Hex Bolt (for use on items 4 & 5)
D.		2	$\frac{5}{16}$ " NC Whiz Nut (for use on items 4 & 5)
E.		12	$\frac{1}{2}$ " x 1" NF Acorn Wheel Studs (for use on item 8)

Note: Use this kit when converting from a model 1988-'91 to Present. Depending on your tray type you will need one of the following tray kits in conjunction with this gauge wheel kit:

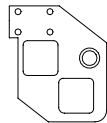
(Kit No. 900754) 6 Row 30 & 8 Row 22 Center Dump Tray Arm Kit

(Kit No. 900755) 6 Row 30 & 8 Row 22 Semi End Dump Tray Arm Kit

FRAME MOUNTS



900750-L
(1 REQUIRED)



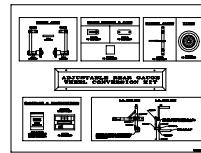
900750-R
(1 REQUIRED)



900746
(4 REQUIRED)

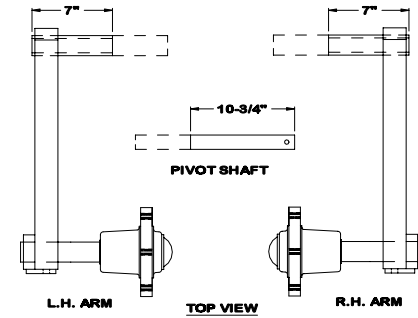
INSTRUCTIONS

MOUNTING INSTRUCTIONS (1992 TO PRESENT)



901383
(1 REQUIRED)

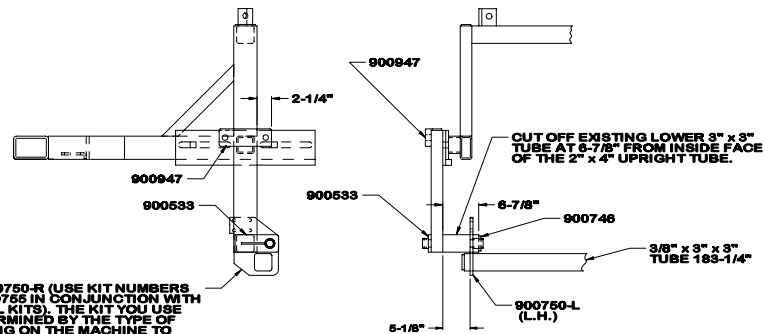
WHEN USING THIS KIT AS A CONVERSION FROM MODEL 92 TO PRESENT, YOU MUST CUT DOWN YOUR PIVOT ARMS & PIVOT SHAFTS, AS SHOWN BELOW.



REAR GAUGE WHEEL CONVERSION KIT

L.H. SIDE VIEW

L.H. REAR VIEW



900750-L & 900750-R (USE KIT NUMBERS 900754 OR 900755 IN CONJUNCTION WITH GAUGE WHEEL KITS). THE KIT YOU USE WILL BE DETERMINED BY THE TYPE OF TRAYS EXISTING ON THE MACHINE TO BE UPDATED.

901383

REAR GAUGE WHEEL CONVERSION KIT (405023)**(Converts Model '92 to Present)****Parts List**

<u>Item No.</u>	<u>Part No.</u>	<u>Qty</u>	<u>Description</u>
1.	900750-R	1	R.H. Extension Plate
2.	900750-L	1	L.H. Extension Plate
3.	900746	4	Lower Tube End Caps
4.	901383	1	Mounting Instructions (1992–Present)
5.	Not Sold w/ this Kit	0	6-30 & 8-22 Lower Tube ($\frac{3}{8}$ " × 3" × 3" × 18 $\frac{3}{4}$ ") 900747

Note: Use this kit when converting from a model 1992 to Present, but pivot arm assemblies, ratchet jacks, and tire assemblies are not required.

Depending on your tray type you will need one of the following tray kits in conjunction with this gauge wheel kit:

(Kit No. 900754) 6 Row 30 & 8 Row 22 Center Dump Tray Arm Kit

(Kit No. 900755) 6 Row 30 & 8 Row 22 Semi End Dump Tray Arm Kit

TRAY ARMS & SLIDE LOCKS

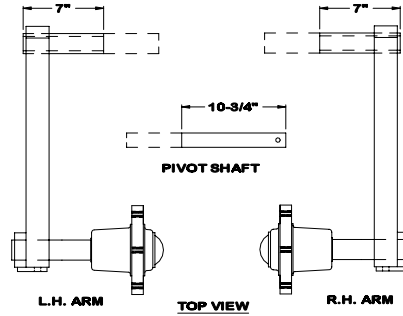


900583
(4 REQUIRED)

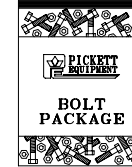


900551
(8 REQUIRED)

WHEN USING THIS KIT AS A CONVERSION FROM MODEL 92 TO PRESENT, YOU MUST CUT DOWN YOUR PIVOT ARMS & PIVOT SHAFTS, AS SHOWN BELOW.

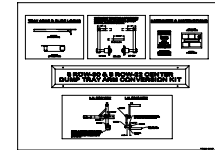


HARDWARE & INSTRUCTIONS



BOLT PACKAGE
(SEE HARDWARE LIST FOR COMPLETE BOLT PACKAGE LISTINGS.)

MOUNTING INSTRUCTIONS

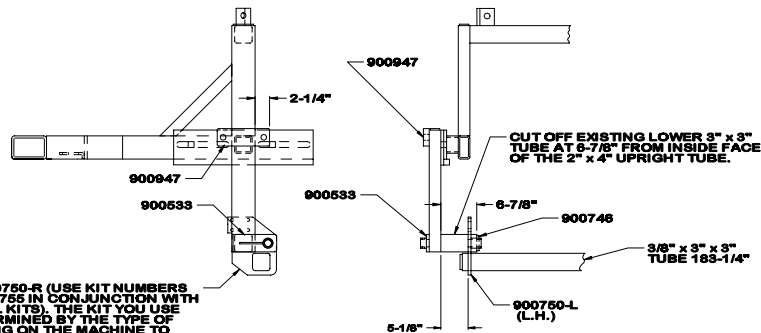


900754
(1 REQUIRED)

6 ROW-30 & 8 ROW-22 CENTER DUMP TRAY ARM CONVERSION KIT

L.H. SIDE VIEW

L.H. REAR VIEW



900750-L & 900750-R (USE KIT NUMBERS 900754 OR 900755 IN CONJUNCTION WITH GAUGE WHEEL KITS). THE KIT YOU USE WILL BE DETERMINED BY THE TYPE OF TRAYS EXISTING ON THE MACHINE TO BE UPDATED.

900754

6 ROW 30" & 8 ROW 22" CENTER DUMP TRAY KIT (900754)

Parts List

<u>Item No.</u>	<u>Part No.</u>	<u>Qty</u>	<u>Description</u>
1.	900583	4	Tray Support Arms
2.	900551	8	Slide Locks
3.	900747	0	3/8" x 3" x 3" Lower Tube (183 1/4") Not Included
4.	900754	1	Mounting Instructions

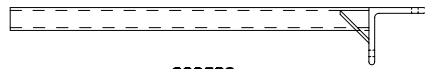
Hardware List

<u>Item No.</u>	<u>Part No.</u>	<u>Qty</u>	<u>Description</u>
A.	118025	8	1/2" x 4 1/2" NC Eye Bolt (for use on item 1)
B.		8	1/2" x 4 1/2" NC Hex Bolt (for use on item 1)
C.		16	1/2" NC Hex Nut (for use on item 1)
D.		16	1/2" Lock washer (for use on item 1)
E.		8	1/2" x 1 1/2" NC Hex Bolts (for use on item 2)
F.		16	1/2" NC Hex Nuts (for use on item 2)

★ When converting model '92 to Present, this kit is required, plus you will need to cut down your gauge wheel pivot arms and pivot shafts. (As shown in the mounting instructions no. 900754).

★★ Use this kit in conjunction with kit no. 405022 or 405023 when converting model 1988 -'91 to Present or model '92 to Present and the machine to be converted has center dump trays.

TRAY ARMS & SLIDE LOCKS

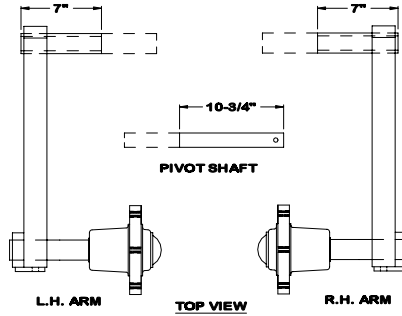


900583
(2 REQUIRED)

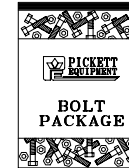


900551
(4 REQUIRED)

WHEN USING THIS KIT AS A CONVERSION FROM MODEL 92 TO PRESENT, YOU MUST CUT DOWN YOUR PIVOT ARMS & PIVOT SHAFTS, AS SHOWN BELOW.

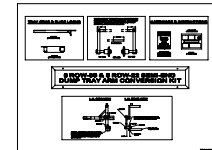


HARDWARE & INSTRUCTIONS



BOLT PACKAGE
(SEE HARDWARE LIST FOR COMPLETE BOLT PACKAGE LISTINGS.)

MOUNTING INSTRUCTIONS

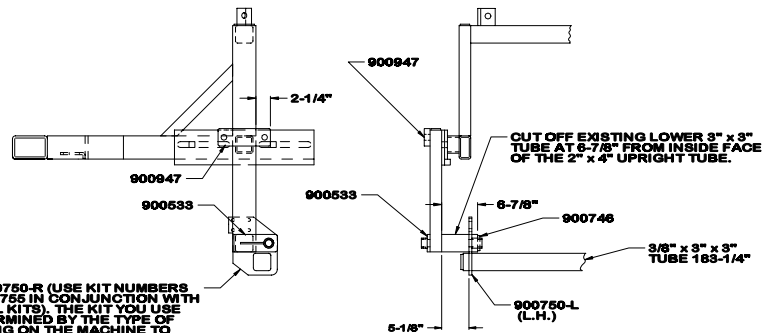


900755
(1 REQUIRED)

6 ROW-30 & 8 ROW-22 SEMI-END DUMP TRAY ARM CONVERSION KIT

L.H. SIDE VIEW

L.H. REAR VIEW



900750-L & 900750-R (USE KIT NUMBERS 900754 OR 900755 IN CONJUNCTION WITH GAUGE WHEEL KITS). THE KIT YOU USE WILL BE DETERMINED BY THE TYPE OF TRAYS EXISTING ON THE MACHINE TO BE UPDATED.

900755

6 ROW 30" & 8 Row 22 SEMI END DUMP TRAY KIT (900755)

Parts List

<u>Item No.</u>	<u>Part No.</u>	<u>Qty</u>	<u>Description</u>
1.	900583	2	Tray Support Arms
2.	900551	4	Slide Locks
3.	900747	0	3/8" x 3" x 3" Lower Tube (183 1/4") Not Included
4.	900755	1	Mounting Instructions

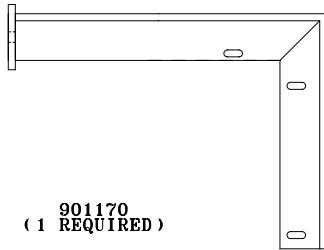
Hardware List

<u>Item No.</u>	<u>Part No.</u>	<u>Qty</u>	<u>Description</u>
A.	118025	4	1/2" x 4 1/2" NC Eye Bolt (for use on item 1)
B.		4	1/2" x 4 1/2" NC Hex Bolt (for use on item 1)
C.		8	1/2" NC Hex Nut (for use on item 1)
D.		8	1/2" Lock washer (for use on item 1)
E.		4	1/2" x 1 1/2" NC Hex Bolts (for use on item 2)
F.		8	1/2" NC Hex Nuts (for use on item 2)

★ When converting model '92 to Present this kit is required, plus you will need to cut down your gauge wheel pivot arms and pivot shafts. (As shown in the mounting instructions #900755).

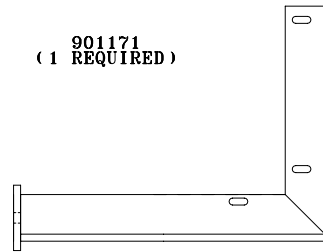
★★ Use this kit in conjunction with kit no. 405022 or 405023 when converting model 1988- '91 to Present or model '92 to Present, and the machine to be converted has a semi-end dump tray.

L.H. SCRAPER ARM



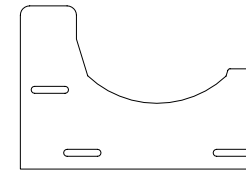
901170
(1 REQUIRED)

R.H. SCRAPER ARM

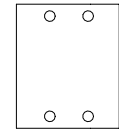


901171
(1 REQUIRED)

SCRAPER & MOUNTING PLATE



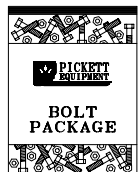
901165
(2 REQUIRED)



901166
(2 REQUIRED)

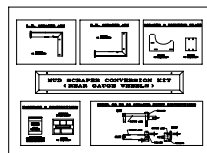
**MUD SCRAPER CONVERSION KIT
(REAR GAUGE WHEELS)**

HARDWARE & INSTRUCTIONS



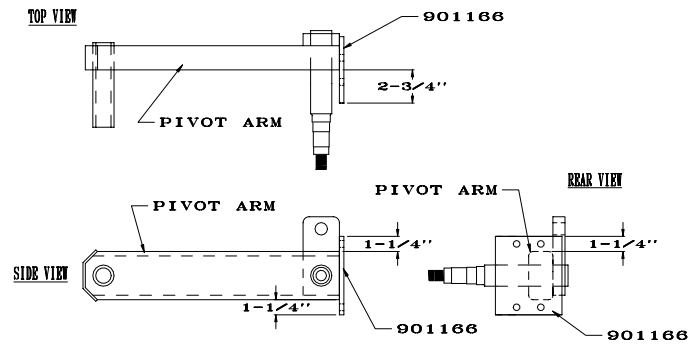
BOLT PACKAGE
(SEE HARDWARE LIST
FOR COMPLETE BOLT
PACKAGE LISTINGS.)

MOUNTING
INSTRUCTIONS



405017
(1 REQUIRED)

MODEL 92 TO 95 SCRAPER MOUNT INSTRUCTIONS



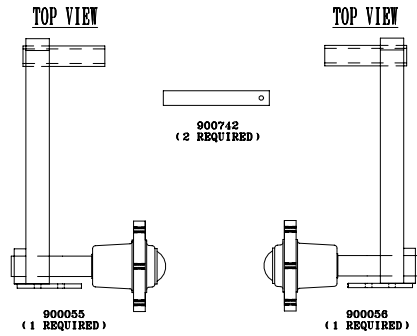
MUD SCRAPER CONVERSION KIT (405017)**(Rear Gauge Wheels)****Parts List**

<u>Item No.</u>	<u>Part No.</u>	<u>Qty</u>	<u>Description</u>
1.	901170	1	L.H. Scraper Arm
2.	901171	1	R.H. Scraper Arm
3.	901165	2	Mud Scraper Plate
4.	901166	2	Scraper Arm Mount Plate (weld-on for pre '96 units)
5.	405017	1	Mounting Instructions

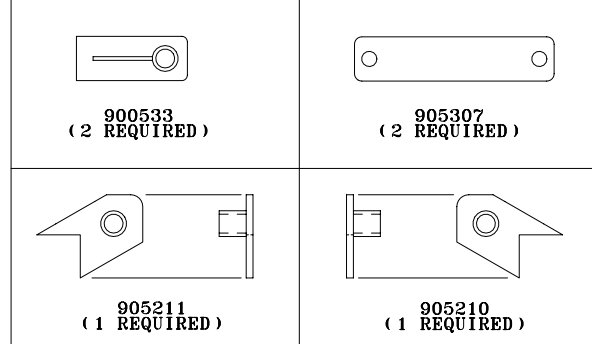
Hardware List

<u>Item No.</u>	<u>Part No.</u>	<u>Qty</u>	<u>Description</u>
A.		4	1/2" x 1 1/4" NC Hex Bolt (use on items: 1 & 2)
B.		4	1/2" NC Whiz Nuts (use on items: 1 & 2)
C.		6	5/16" x 1" NC Carriage Bolt (use on item 3)
D.		6	5/16" NC Whiz Nut (use on item 3)

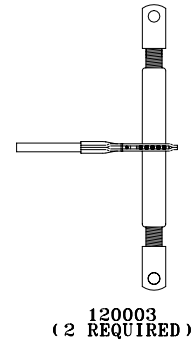
PIVOT ARMS



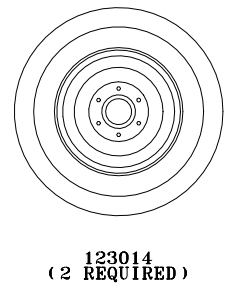
FRAME MOUNTS



RACHET JACKS

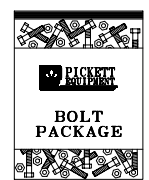


TIRES



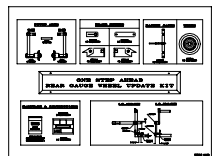
**ONE STEP AHEAD
REAR GAUGE WHEEL UPDATE KIT**

HARDWARE & INSTRUCTIONS



BOLT PACKAGE
(SEE HARDWARE LIST FOR COMPLETE BOLT PACKAGE LISTINGS.)

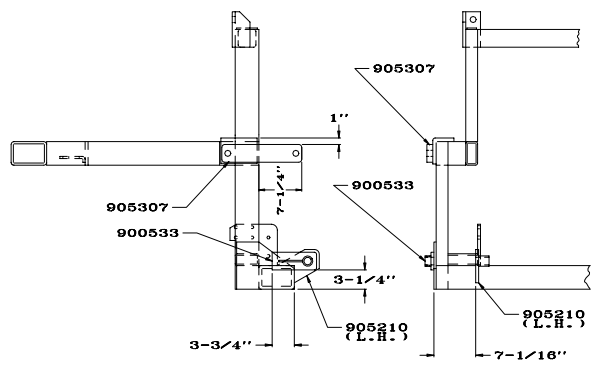
MOUNTING INSTRUCTIONS



405001
(1 REQUIRED)

L.H. SIDE VIEW

L.H. REAR VIEW



ONE STEP AHEAD Rear Gauge Wheel Conversion Kit (405001)

(Converts Models '92-'95 to Model '96)

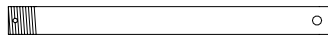
Parts List

<u>Item No.</u>	<u>Part No.</u>	<u>Qty</u>	<u>Description</u>
1.	900055	1	L.H. Pivot Arm Assembly (includes hub)
2.	900056	1	R.H. Pivot Arm Assembly (includes hub)
3.	905307	2	Upper Frame Pivot Mount (2-hole weld-on)
4.	905210	1	L.H. Inner Frame Pivot Mount (weld-on)
5.	905211	1	R.H. Inner Frame Pivot Mount (weld-on)
6.	123014	2	Tire Assembly (Includes: 120008, 123003, 120007)
7.	120003	2	Gauge Wheel Ratchet Jack (with handle & cotter pin)
8.	900742	2	Pivot Shaft
9.	900533	2	Outer Frame Pivot Mount (weld-on)
10.	405001	1	Mounting Instructions

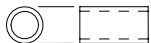
Hardware List

<u>Item No.</u>	<u>Part No</u>	<u>Qty</u>	<u>Description</u>
A.		2	$\frac{5}{16}$ " \times $2\frac{1}{4}$ " NC Hex Bolt (for use on items 1 & 2)
B.		2	$\frac{5}{16}$ " NC Nyloc Nut (for use on items 1 & 2)
C.		12	$\frac{1}{2}$ " \times 1" NF Acorn Wheel Stud (for use on item 6)
D.		4	Ratchet Jack Pin (for use on item 7)
E.	116009	8	Hair Pin (for use on item 7)

AXLE & SPACERS



990080
(1 REQUIRED)

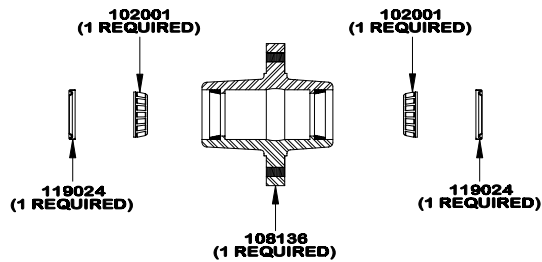


990138
(1 REQUIRED)

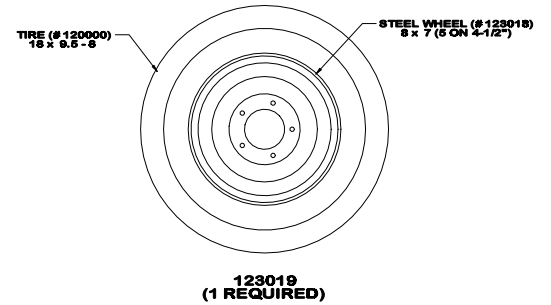


990137
(1 REQUIRED)

HUB, BEARINGS, & SEALS

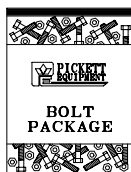


TIRE & WHEEL ASSEMBLY



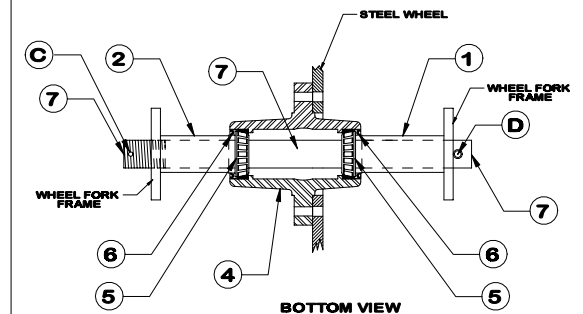
SMALL WHEEL CONVERSION KIT (W/ TIRE) # 405020

HARDWARE



BOLT PACKAGE
(SEE HARDWARE LIST
FOR COMPLETE BOLT
PACKAGE LISTINGS.)

KIT ASSEMBLY DIAGRAM



405020

SMALL WHEEL CONVERSION KIT with Tire (#405020)

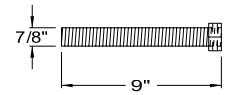
Parts List

<u>Item No.</u>	<u>Part No.</u>	<u>Qty</u>	<u>Description</u>
1.	990137	1	Long Spacer (4 ¹ / ₈ "
2.	990138	1	Short Spacer (3 ⁹ / ₁₆ "
3.	123019	1	Wheel Assembly—Includes: 123018 (wheel 8 × 7) & 120000 (tire)
4.	108136	1	Straddle Hub (5 on 4 ¹ / ₂ " Bolt Pattern)
5.	102001	2	1" Hub Bearings
6.	119024	2	Hub Seals
7.	990080	1	1" Axle (13 ¹ / ₂ " Long)

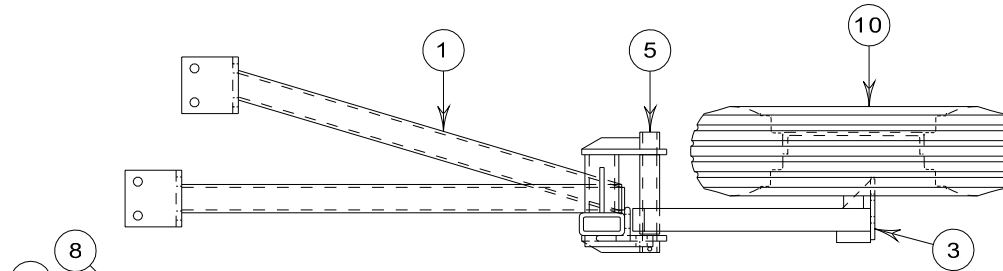
Hardware List

<u>Item No.</u>	<u>Part No.</u>	<u>Qty</u>	<u>Description</u>
A.		5	½" NF Acorn Wheel Nuts
B.		1	1" NF Castellated Hex Nut
C.		1	¾" Cotter Pin
D.		1	¼" Roll Pin

PART NO. 804167-A



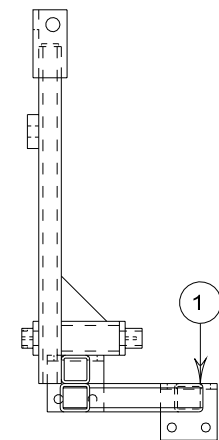
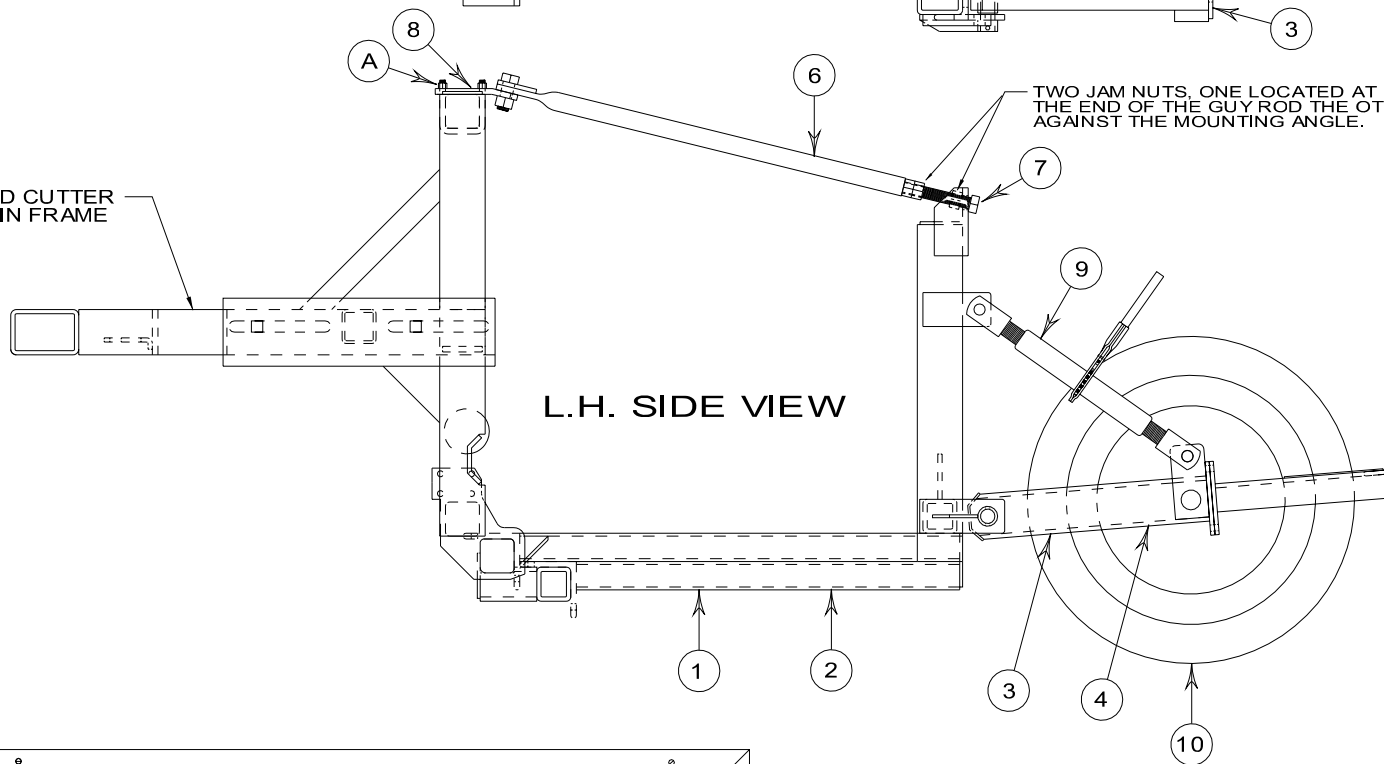
TOP VIEW



TWO JAM NUTS, ONE LOCATED AT THE END OF THE GUY ROD THE OTHER AGAINST THE MOUNTING ANGLE.

ROD CUTTER
MAIN FRAME

L.H. SIDE VIEW



REAR VIEW

UNDERNEATH (BOLT-ON) REAR GAUGE
WHEEL KIT (REAR PULL) #405028

UNDERNEATH (BOLT ON) REAR GAUGE WHEEL KIT (REAR PULL) #405028

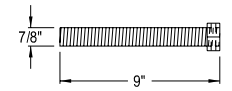
Parts List

<u>Item No.</u>	<u>Part No.</u>	<u>Qty Required</u>	<u>Description</u>
1.	804150-A	1	L.H. Rear Gauge Wheel Mount
2.	804151-A	1	R.H. Rear Gauge Wheel Mount
3.	900055	1	L.H. Pivot Arm (includes hub)
4.	900056	1	R.H. Pivot Arm (includes hub)
5.	900742	2	Pivot Shaft
6.	804160-B	2	Rear Wheel Guy Rod
7.	804167-B	2	Guy Rod Adjustment Bolt (with (4) 7/8" NC Jam Nuts & Washers)
8.	804156-A	2	Bolt-on Guy Rod Mount
9.	120003	2	Turnbuckle, Gauge Wheel Ratchet Jack (with pins and handles)
10.	123014	2	Tire Assembly-7.60 x 15(includes Tire #120008 & Wheel #123003)

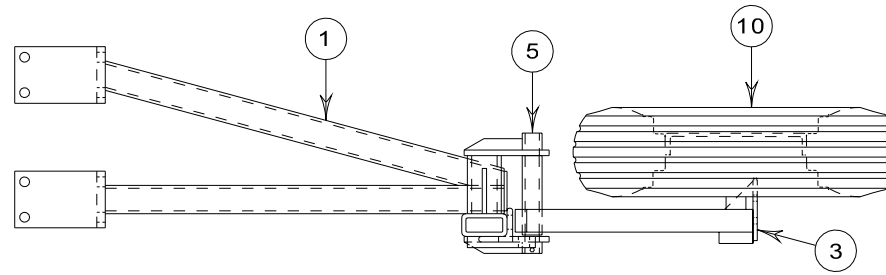
Hardware List

<u>Item No.</u>	<u>Part No.</u>	<u>Qty</u>	<u>Description</u>
A.	121005	2	Type F U-Bolt (w/ 1/2" NC Nuts & Lock washers)
B.		2	3/4" x 2 1/4" NC Hex Bolt
C.		2	5/16" x 2 1/4" NC Hex Bolt
D.		2	5/16" NC Nyloc Nut
E.		12	1/2" x 1" NF Acorn Wheel Stud
F.		8	3/4" x 5 1/2" NC Hex Bolt (Grade 8)
G.		16	3/4" NC Hex Nut (Grade 8)
H.		18	3/4" Lock washers
I.	118029	8	3/4" x 5 1/2" NC Eye Bolt (Grade 8)
J.		2	3/4" NC Hex Nut (Grade 5)

PART NO. 804167-A



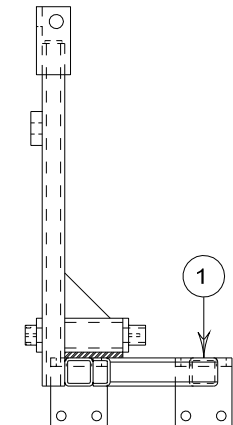
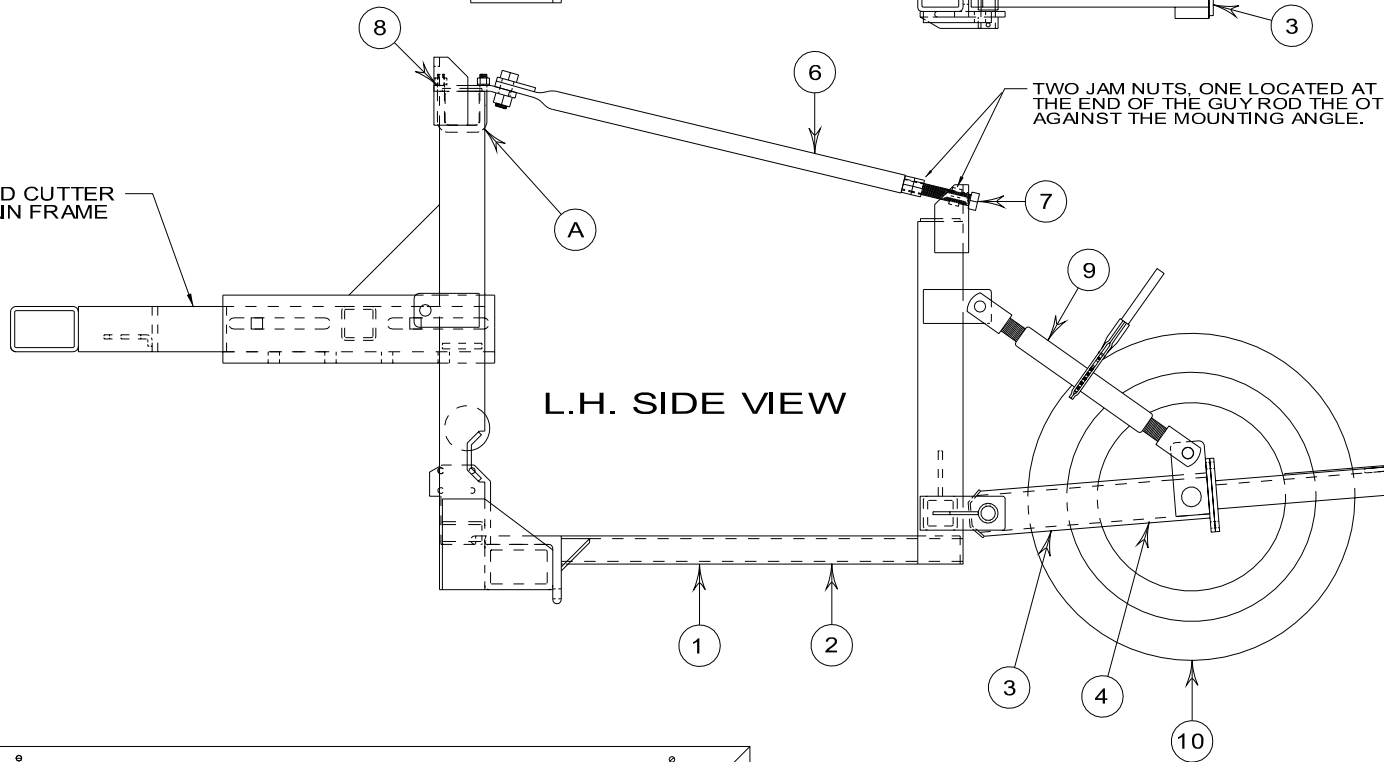
TOP VIEW



TWO JAM NUTS, ONE LOCATED AT THE END OF THE GUY ROD THE OTHER AGAINST THE MOUNTING ANGLE.

ROD CUTTER
MAIN FRAME

L.H. SIDE VIEW



REAR VIEW

UNDERNEATH (BOLT-ON) REAR GAUGE
WHEEL KIT (AHEAD) #405029

UNDERNEATH (BOLT ON) REAR GAUGE WHEEL KIT (AHEAD) (405029)

PARTS LIST

<u>Item No.</u>	<u>Part No.</u>	<u>Qty</u>	<u>Description</u>
1.	804168	1	L.H. Rear Gauge Wheel Mount
2.	804169	1	R.H. Rear Gauge Wheel Mount
3.	900055	1	L.H. Pivot Arm (includes hub)
4.	900056	1	R.H. Pivot Arm (includes hub)
5.	900742	2	Pivot Shaft
6.	804160-A	2	Rear Wheel Guy Rod
7.	804167-A	2	Guy Rod Adjustment Bolt (w/(4)7/8" NC Jam Nuts & Washers)
8.	804156-A	2	Bolt-on Guy Rod Mount
9.	120003	2	Turnbuckle, Gauge Wheel Ratchet Jack (w/pins & handles)
10.	123014	2	Tire Assembly-7.60 x 15 (includes Tire #120008 & Wheel #123003)

Hardware List

<u>Item No.</u>	<u>Part No.</u>	<u>Qty</u>	<u>Description</u>
A.	121005	2	Type F U-Bolt (w/ 1/2" NC Nuts & Lock washers)
B.		2	3/4" x 2 1/4" NC Hex Bolt
C.		2	5/16" x 2 1/4" NC Hex Bolt
D.		2	5/16" NC Nyloc Nut
E.		12	1/2" x 1" NF Acorn Wheel Stud
F.	106009	8	3/4" x 9" NC Hex Bolt (Grade 8)
G.		16	3/4" NC Hex Nut (Grade 8)
H.		18	3/4" Lock washers
I.	118000	8	3/4" x 5 1/2" NC Eye Bolt (Grade 8)
J.		2	3/4" NC Hex Nut (Grade 5)