

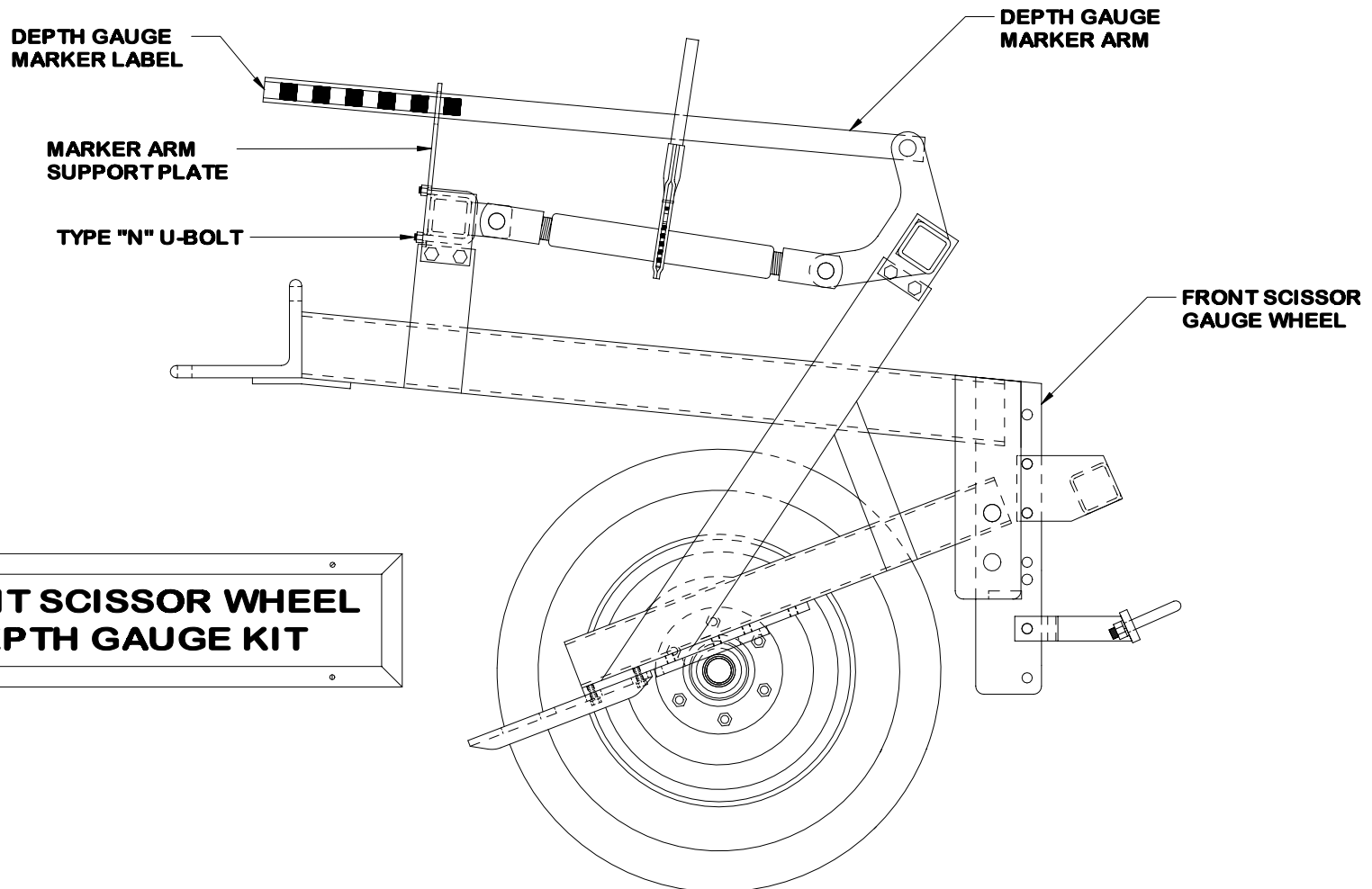
Service Updates

Gauge Wheel Conversion Kits

Section 7

Front Scissor Wheel Depth Gauge Kit (405033).....	2-3
Front Gauge Wheel Hydraulic Adjustment Option (One Step Ahead) (405024)	4-5
Front Gauge Wheel Hydraulic Adjustment Option (6-30, 8-22 or 12-22 Rear Pull) (405053)	6-7
Front Gauge Wheel Hydraulic Adjustment Option (8-30 Rear Pull) (405054)	8-9
Front Gauge Wheel Hydraulic Adjustment Option (12-22 Rear Pull Gauge Wheels @ 264").....	10-11
Front Gauge Wheel Hydraulic Adjustment Option (12-30 Rear Pull) (405051)	12-13

Return to this page by clicking the upper right corner of any page in this section.

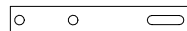


**FRONT SCISSOR WHEEL
DEPTH GAUGE KIT**

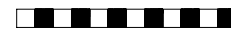
THIS KIT CONTAINS:



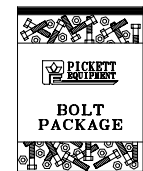
**905465
(2 REQUIRED)**



**905463
(2 REQUIRED)**



**112032
(2 REQUIRED)**



**BOLT PACKAGE
(SEE HARDWARE LIST
FOR COMPLETE BOLT
PACKAGE LISTINGS.)**

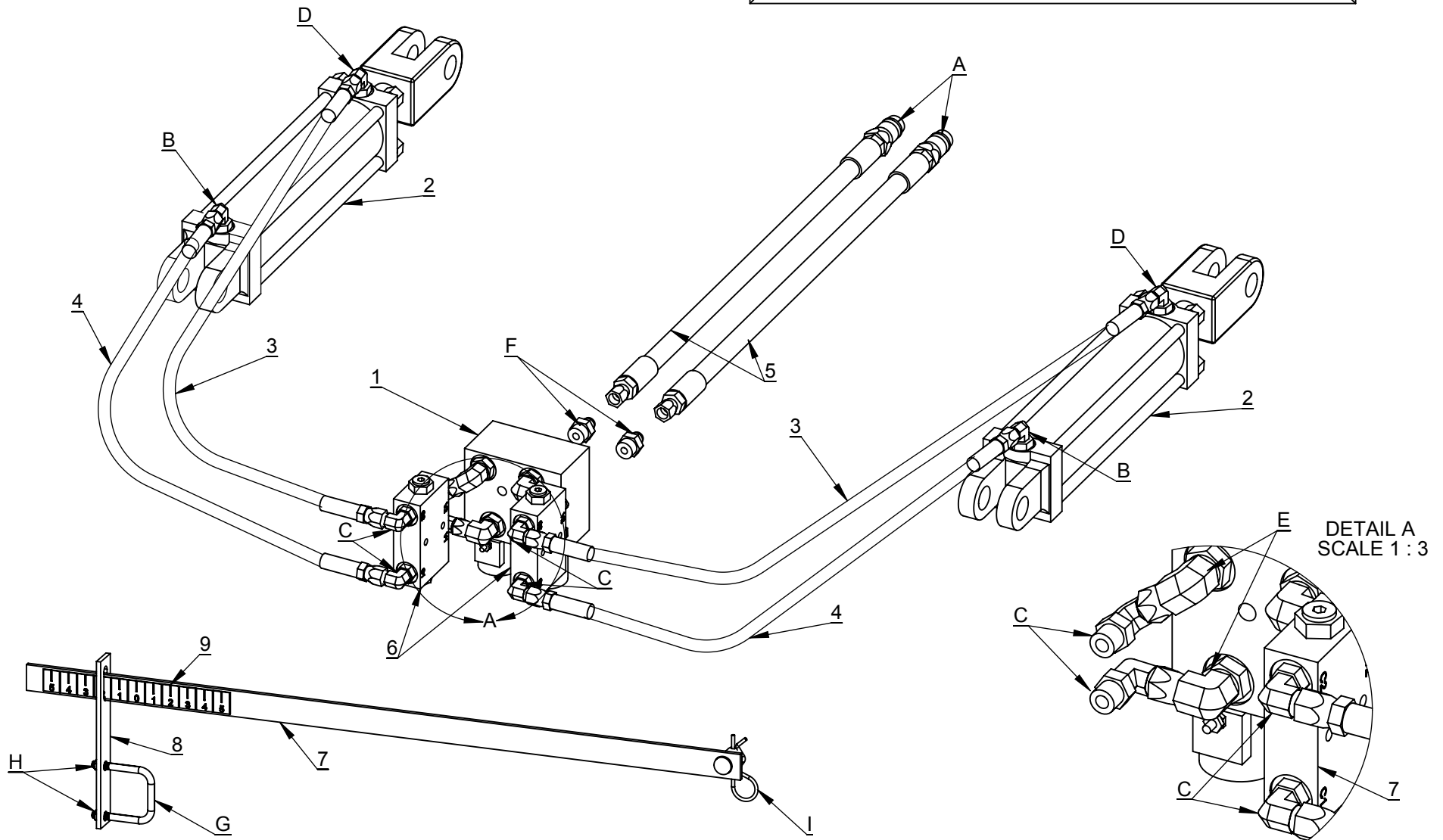
FRONT SCISSOR WHEEL DEPTH GAUGE KIT #405033**Parts List**

<u>Item No.</u>	<u>Part No.</u>	<u>Qty</u>	<u>Description</u>
1.	905465	2	Depth Gauge Marker Arm
2.	905463	2	Marker Arm Support Plate
3.	112032	2	Depth Gauge Marker Label (Reflective)

Hardware List

<u>Item No.</u>	<u>Part No.</u>	<u>Qty</u>	<u>Description</u>
A.	121016	2	Type "N" U-Bolt
B.		4	³ / ₈ " NC Whiz Nut
C.	116009	2	Hair Pin

Gauge Wheel Adjustment Kit # 405024
One Step Ahead
6 Row 30 & 8 Row 22



FRONT GAUGE WHEEL ADJUSTMENT Option # 405024

6 Row 30 & 8 Row 22, One Step Ahead

Parts List

<u>Item No.</u>	<u>Part No.</u>	<u>Qty</u>	<u>Description</u>
1.	122037★	1	Valve Kit (includes electrical switches, wiring harness & diagrams)
2.	103027	2	Cylinder, Hydraulic (2 1/2" × 8")
3.	108152-A	2	Hose, Hydraulic (4M2T-6FJX6FJX-16000)
4.	108153-A	2	Hose, Hydraulic (4M2T-6FJX6FJX-15000)
5.	108149-A	2	Hose, Hydraulic (6M2T-8MP6FJX-30000)
6.	122058	2	Dual P. O. Check Valve
7.	905465	2	Depth Gauge Marker Arm
8.	905463	2	Marker Arm Support Plate
9.	112032	2	Depth Gauge Marker Label

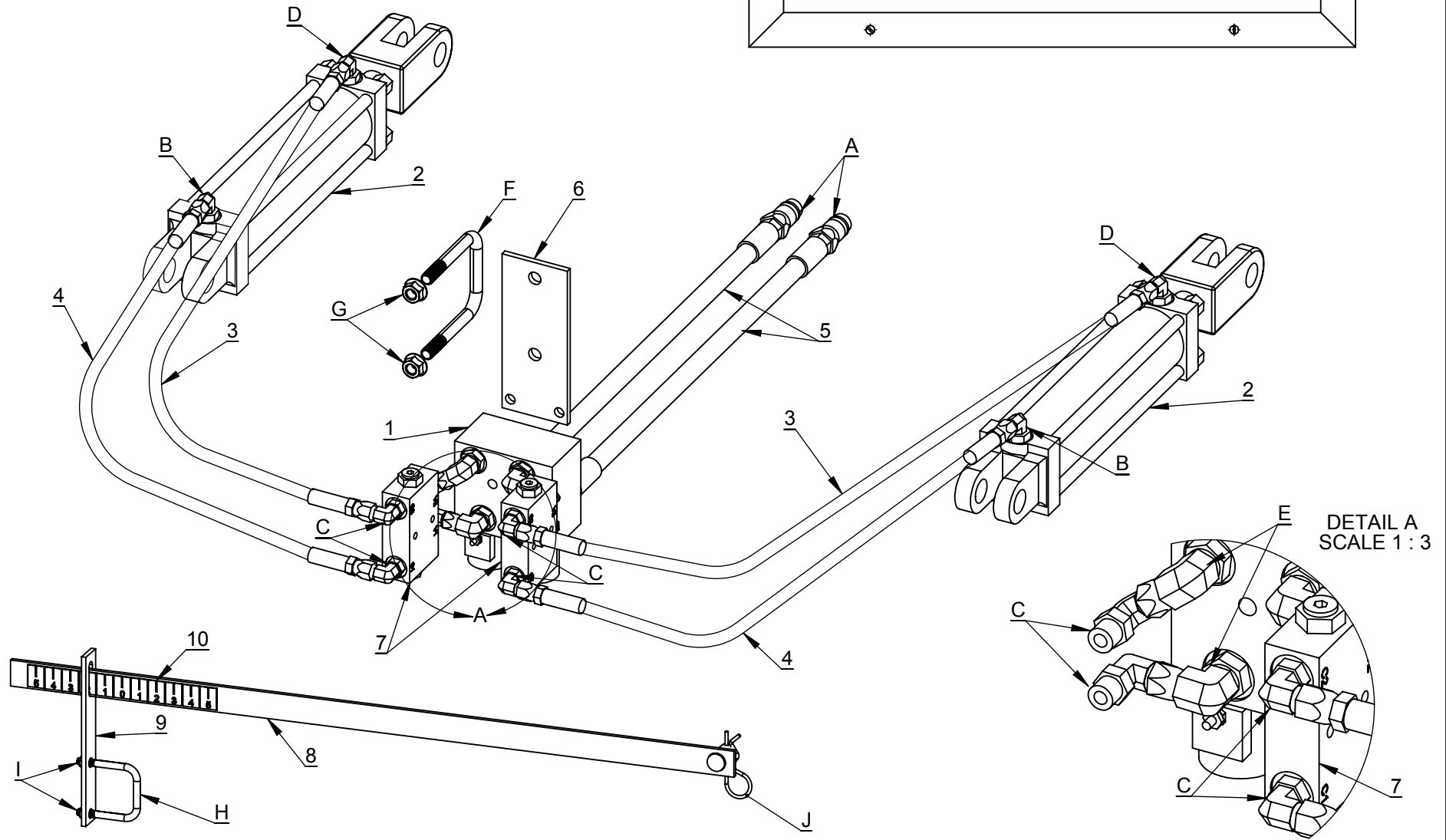
Hardware List

<u>Item No.</u>	<u>Part No.</u>	<u>Qty</u>	<u>Description</u>
A.	101160	2	Pioneer Quick Coupler
B.	101224	2	6801R 6-8 MJ-MAORB 90° Restrictor
C.	101215	8	6801 6-6 MJ-MAORB 90°
D.	101188	2	6801 6-8 MJ-MAORB 90°
E.	101216	4	6809 8-6 MAORB-FJS 90°
F.	101201	1	6400 6-8 MJ-MORB Straight
G.	121005	2	Type N, U-Bolt
H.		4	3/8" NC Whiz Nut
I.	116009	2	Hair Pin

★ Lengthen control wire to 25'

★ Contact Pickett Equipment for valve kit individual part numbers and part availability.

Gauge Wheel Adjustment Kit # 405053
6 Row 30, 8 Row 22 & 12 Row 22
Rear Pull with P.O. Checks
With Gauge Wheels at 180" or 176"



FRONT GAUGE WHEEL ADJUSTMENT Option # 405053

6 Row 30, 8 Row 22 & 12 Row 22, Rear Pull – w / P. O. Checks – Gauge Wheels at 180” or 176”

Parts List

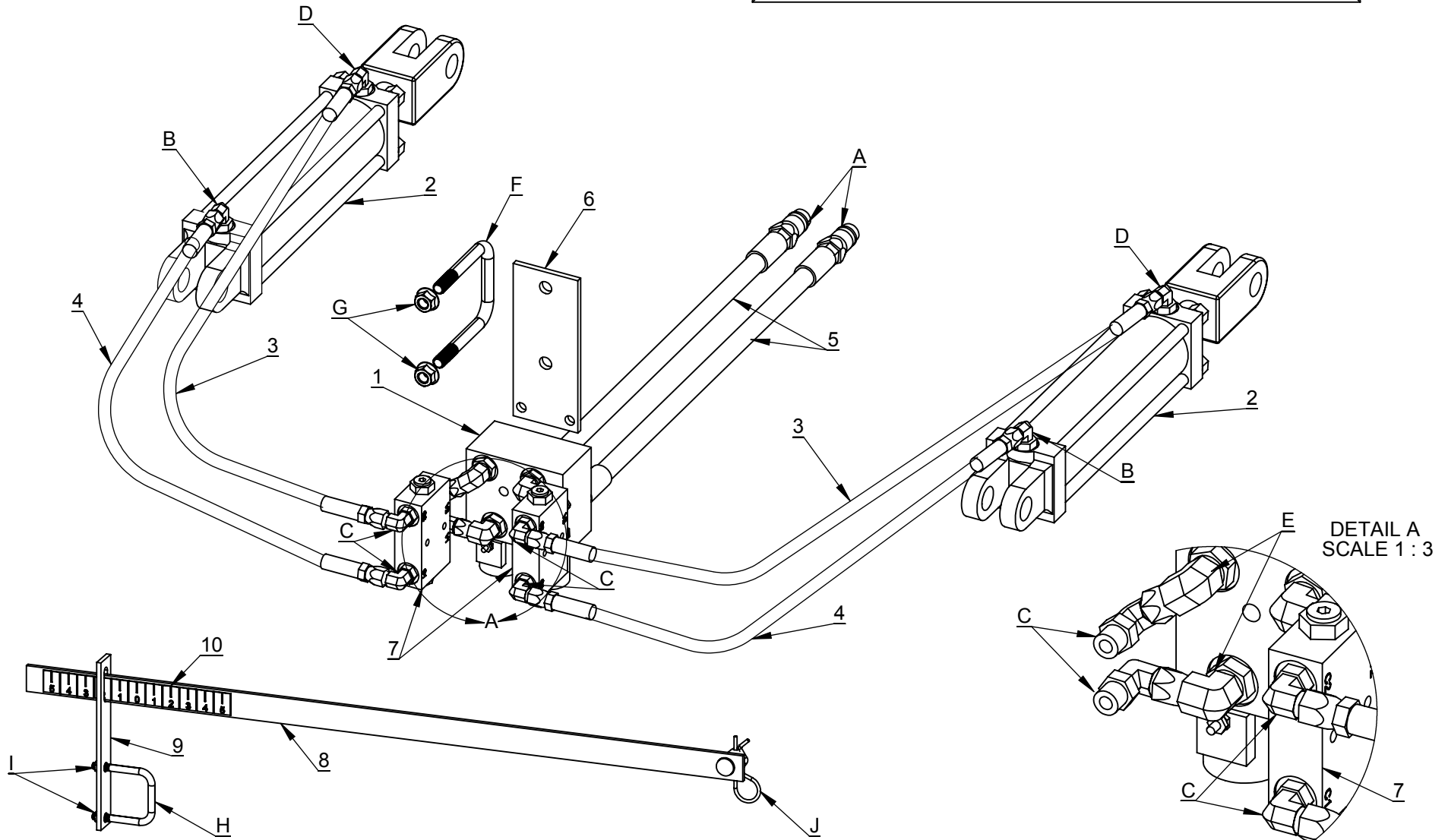
<u>Item No.</u>	<u>Part No.</u>	<u>Qty</u>	<u>Description</u>
1.	122037★	1	Valve Kit (includes electrical switches, wiring harness & diagrams)
2.	103027	2	Cylinder, Hydraulic (2 1/2” × 8”)
3.	108201-A	2	Hose, Hydraulic (4M2T-6FJX6FJX-13000)
4.	108202-A	2	Hose, Hydraulic (4M2T-6FJX6FJX-12000)
5.	108203	2	Hose, Hydraulic (8M2T-8MB8MB-06000)
6.	901576	1	Valve Mounting Plate
7.	122058	2	Dual P. O. Check Valve
8.	905465	2	Depth Gauge Marker Arm
9.	905463	2	Marker Arm Support Plate
10.	112032	2	Depth Gauge Marker Label

Hardware List

<u>Item No.</u>	<u>Part No.</u>	<u>Qty</u>	<u>Description</u>
A.		2	Pioneer Quick Coupler (included in Valve Kit # 122037)
B.	101224	2	6801R-6-8 MJ-MAORB 90° Restrictor
C.	101215	8	6801 6-6 MJ-MAORB 90°
D.	101188	2	6801 6-8 MJ-MAORB 90°
E.	101216	4	6809 8-6 MAORB-FJS 90°
F.	121005	1	Type F, U-Bolt
G.		2	1/2”NC Whiz Nut
H.	121005	2	Type N, U-Bolt
I.		4	3/8” NC Whiz Nut
J.	116009	2	Hair Pin

★ Contact Pickett Equipment for valve kit individual part numbers and part availability.

Gauge Wheel Adjustment Kit # 405054
8 Row 30 Rear Pull with P.O. Checks
With Gauge Wheels at 240"



FRONT GAUGE WHEEL ADJUSTMENT Option # 405054

8 Row 30, Rear Pull – w / P. O. Checks – Gauge Wheels at 240”

Parts List

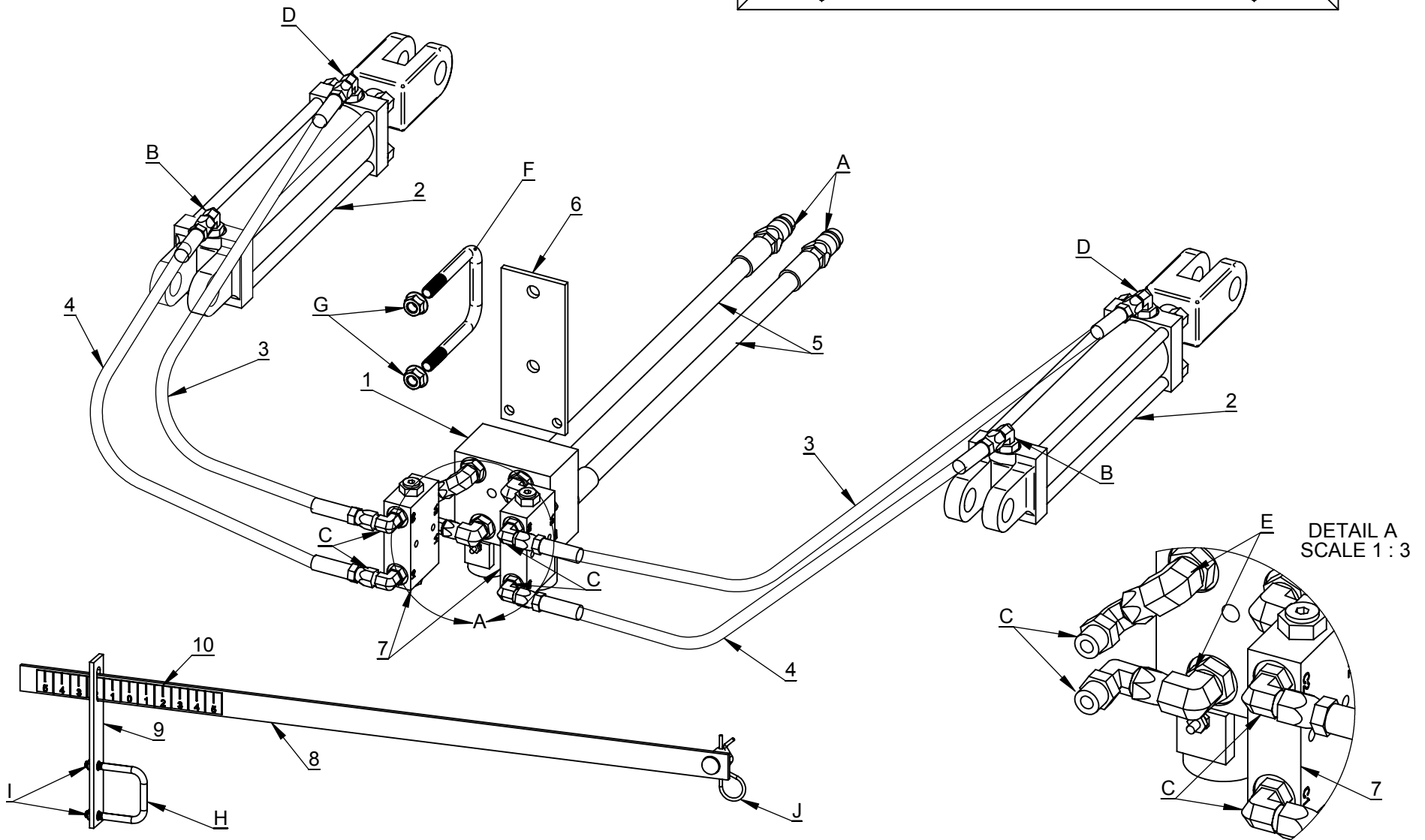
<u>Item No.</u>	<u>Part No.</u>	<u>Qty</u>	<u>Description</u>
1.	122037★	1	Valve Kit (includes electrical switches, wiring harness & diagrams)
2.	103027	2	Cylinder, Hydraulic (2 1/2" × 8")
3.	108152-A	2	Hose, Hydraulic (4M2T-6FJX6FJX-16000)
4.	108153-A	2	Hose, Hydraulic (4M2T-6FJX6FJX-15000)
5.	108203	2	Hose, Hydraulic (8M2T-8MB8MB-06000)
6.	901576	1	Valve Mounting Plate
7.	122058	2	Dual P. O. Check Valve
8.	905465	2	Depth Gauge Marker Arm
9.	905463	2	Marker Arm Support Plate
10.	112032	2	Depth Gauge Marker Label

Hardware List

<u>Item No.</u>	<u>Part No.</u>	<u>Qty</u>	<u>Description</u>
A.		2	Pioneer Quick Coupler (included in Valve Kit # 122037)
B.	101224	2	6801R-6-8 MJ-MAORB 90° Restrictor
C.	101215	8	6801 6-6 MJ-MAORB 90°
D.	101188	2	6801 6-8 MJ-MAORB 90°
E.	101216	4	6809 8-6 MAORB-FJS 90°
F.	121005	1	Type F, U-Bolt
G.		2	1/2"NC Whiz Nut
H.	121005	2	Type N, U-Bolt
I.		4	3/8" NC Whiz Nut
J.	116009	2	Hair Pin

★ Contact Pickett Equipment for valve kit individual part numbers and part availability.

Gauge Wheel Adjustment Kit # 405063
12 Row 22 Rear Pull with P.O. Checks
With Gauge Wheels at 264"



FRONT GAUGE WHEEL ADJUSTMENT Option # 405063

12 Row 22, Rear Pull – w / P. O. Checks – Gauge Wheels at 264”

Parts List

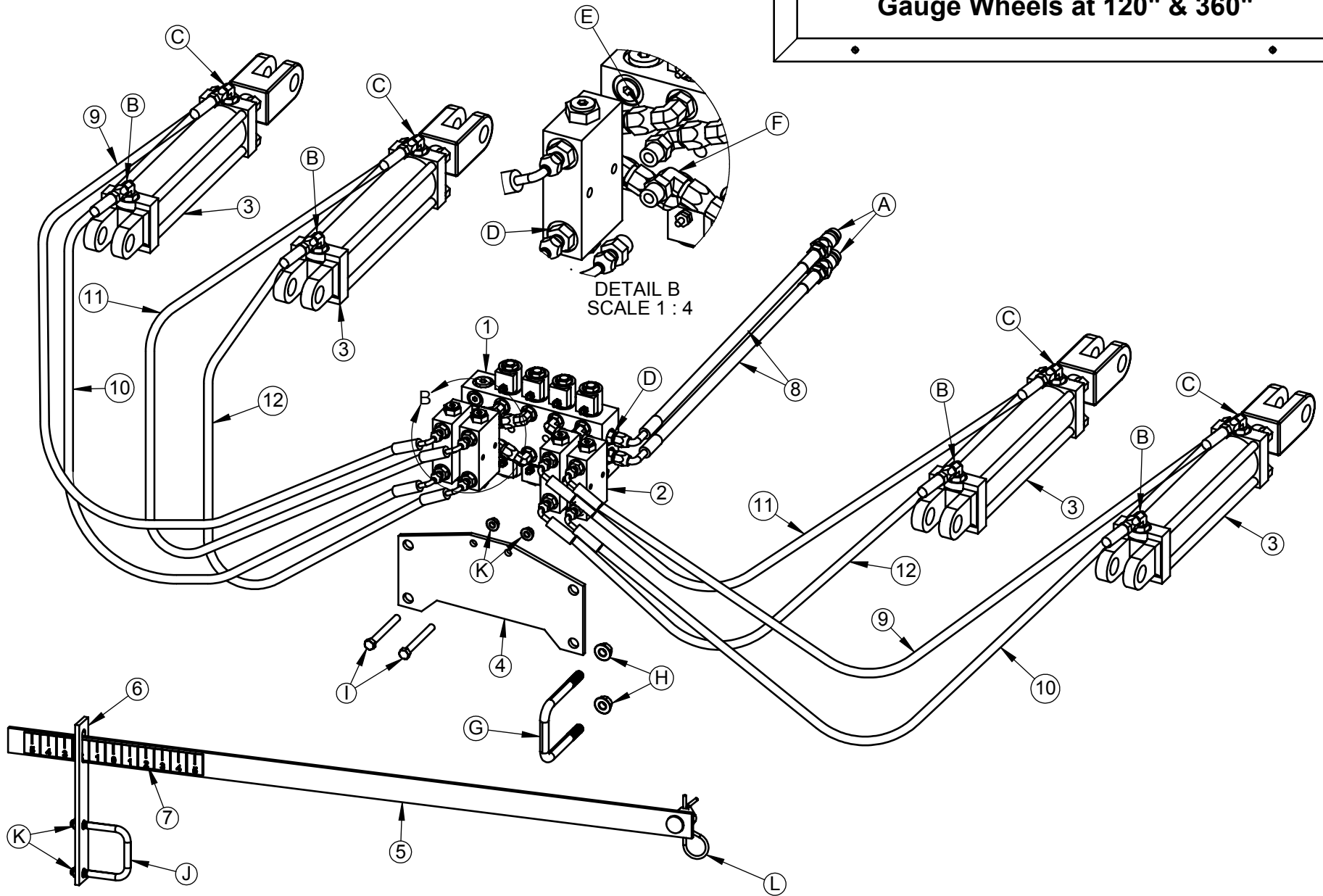
<u>Item No.</u>	<u>Part No.</u>	<u>Qty</u>	<u>Description</u>
1.	122037★	1	Valve Kit (includes electrical switches, wiring harness & diagrams)
2.	103027	2	Cylinder, Hydraulic (2 1/2" × 8")
3.	108324-A	2	Hose, Hydraulic (4M2T-6FJX6FJX-17000)
4.	108152-A	2	Hose, Hydraulic (4M2T-6FJX6FJX-16000)
5.	108203	2	Hose, Hydraulic (8M2T-8MB8MB-06000)
6.	901576	1	Valve Mounting Plate
7.	122058	2	Dual P. O. Check Valve
8.	905465	2	Depth Gauge Marker Arm
9.	905463	2	Marker Arm Support Plate
10.	112032	2	Depth Gauge Marker Label

Hardware List

<u>Item No.</u>	<u>Part No.</u>	<u>Qty</u>	<u>Description</u>
A.		2	Pioneer Quick Coupler (included in Valve Kit # 122037)
B.	101224	2	6801R-6-8 MJ-MAORB 90° Restrictor
C.	101215	8	6801 6-6 MJ-MAORB 90°
D.	101188	2	6801 6-8 MJ-MAORB 90°
E.	101216	4	6809 8-6 MAORB-FJS 90°
F.	121005	1	Type F, U-Bolt
G.		2	1/2"NC Whiz Nut
H.	121005	2	Type N, U-Bolt
I.		4	3/8" NC Whiz Nut
J.	116009	2	Hair Pin

★ Contact Pickett Equipment for valve kit individual part numbers and part availability.

Gauge Wheel Adjustment Kit # 405051
12-30 Rear Pull with P.O. Checks
Gauge Wheels at 120" & 360"



Front Gauge Wheel Hydraulic Adjustment Option # 405051

12 Row 30 Rear Pull — w / P.O. Checks — Gauge Wheels at 120" & 360"

Parts List

<u>Item No.</u>	<u>Part No.</u>	<u>Qty</u>	<u>Description</u>
1.	122050*	1	Valve Kit (includes electrical switches, wiring harness & diagrams)
2.	122058	4	Dual P.O. Check Valve
3.	103027	4	Cylinder, Hydraulic (2 1/2" x 8")
4.	901777	1	Hydraulic Gauge Wheel Valve Mount
5.	905465	4	Depth Gauge Marker Arm
6.	905463	4	Marker Arm Support Plate
7.	112032	4	Depth Gauge Marker Label
8.	108285	2	Hose Hydraulic 6M2T-8MP6FJX90-06000
9.	108286-A	2	Hose Hydraulic 4M2T-6FJX906FJX-21000
10.	108287-A	2	Hose Hydraulic 4M2T-6FJX906FJX-19800
11.	108288-A	2	Hose Hydraulic 4M2T-6FJX906FJX-12000
12.	108289-A	2	Hose Hydraulic 4M2T-6FJX906FJX-10800

Hardware List

<u>Item No.</u>	<u>Part No.</u>	<u>Qty</u>	<u>Description</u>
A.	101160	2	Quick Coupler
B.	101224	4	6801R 6-8 MJ-MAORB 90° Restrictor
C.	101188	4	6801 6-8 MJ-MAORB 90°
D.	101186	10	6400 6-6 MJ-MORB Straight
E.	101214	8	6809 6-6 MAORB-FJS 90°
F.	101215	8	6801 6-6 MJ-MAORB 90°
G.	121005	2	Type F, U-Bolt
H.		4	1/2" NC Whiz Nut
I.		2	3/8" x 3 1/4" NC Hex Bolt
J.	121016	4	Type N, U-Bolt
K.		10	3/8" NC Whiz Nut
L.	116009	4	Hair Pin

* Contact Pickett Equipment for valve kit individual part numbers and part availability.