

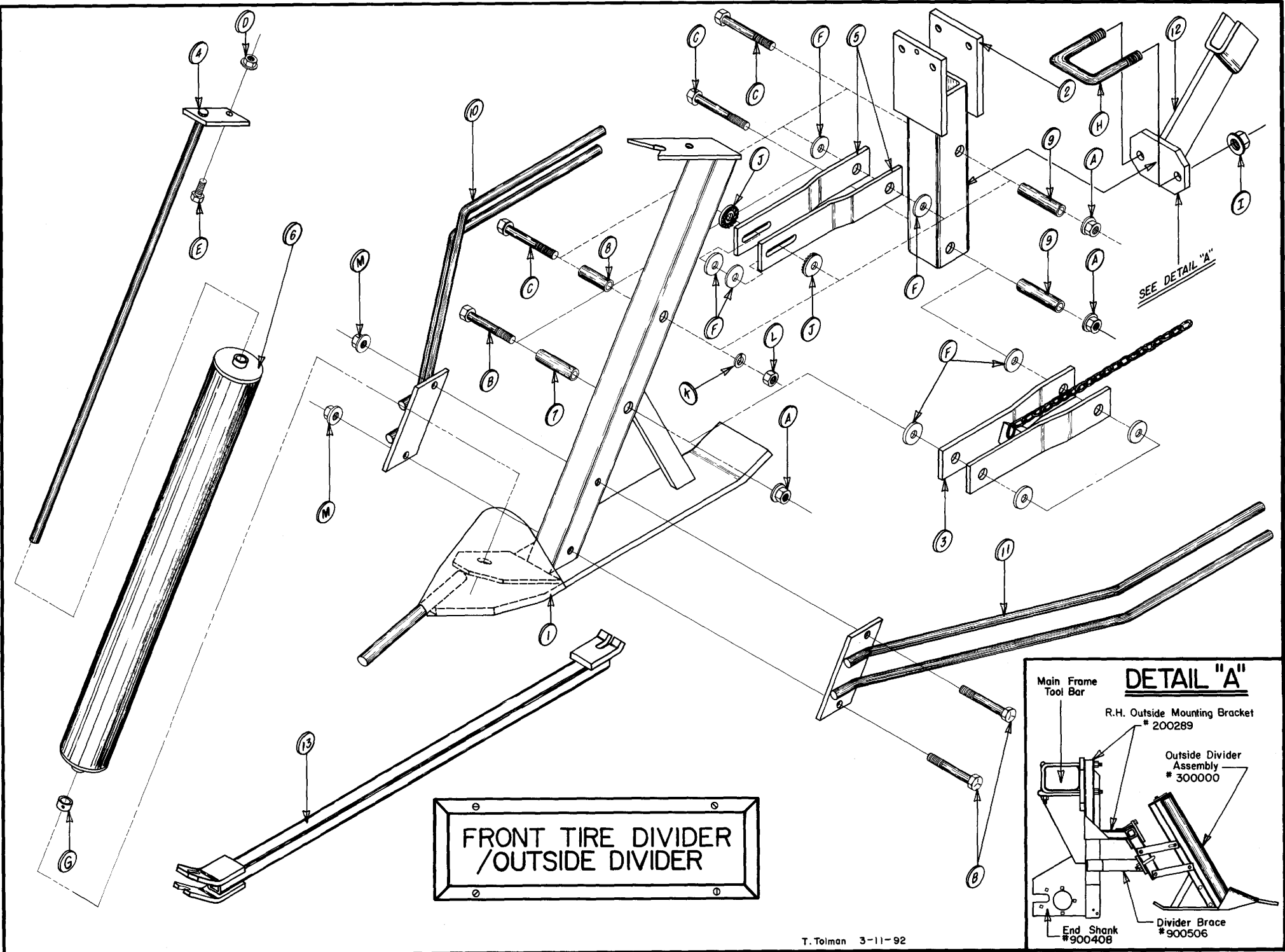
Divider Systems

Front Tire Divider

Section 2

Model Years 1988 – 1995	2-3
Model Years 1996 – Present.....	4-5
Outside Mounting Bracket.....	6-7
Center Pipe Divider	8-9
Sickle Divider.....	10-11
Front Tire Divider Rod Extensions	12-13

Return to this page by clicking the upper right corner of any page in this section.



FRONT TIRE DIVIDER ASSEMBLY (1988–1995)

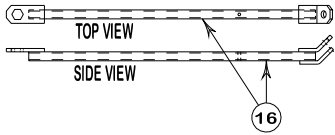
Parts List

<u>Item No.</u>	<u>Part No.</u>	<u>Description</u>
1.	300020	Main Frame
2.	300026	Pivot Arm Mount (replaced by 300085 & mounting hardware)
3.	300013	Lower Pivot Arm (Includes bushings, no.'s 300057 & 300059)
4.	300056	Divider Pin
5.	300014	Upper Pivot Arm (Includes bushings, no.'s 300058 & 300059)
6.	300006	Divider Roller
7.	300057	Lower Front Bushing—2.8125" long
8.	300058	Upper Front Bushing—2.125" long
9.	300059	Pivot Arm Bushing—3.3125" long
10.	300033	R.H. Divider Rod, short
11.	300034	L.H. Divider Rod, short
12.	900506	Divider Brace
13.	900287	Divider Point Adjustment Tool
Not Shown	300021	Nose Cone
Not Shown	118001	Roller End Cap
Not Shown	300005	Divider Shoe
Not Shown	300000	Complete Front Tire Divider Assembly—with short rods

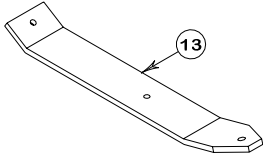
Hardware List

<u>Item No.</u>	<u>Part No.</u>	<u>Description</u>
A.		½" NC Whiz Nut
B.		½" × 3½" NC Hex Bolt
C.		½" × 4" NC Hex Bolt
D.		¾" NC Whiz Nut
E.		¾" × 1" NC Hex Bolt
F.		½" Flat Washer
G.	103042	Collar, ⅝" Lock
H.	121004	U-Bolt, Type E ⅝" × 2 ⁹ / ₁₆ " × 4"
I.		⅝" NC Whiz Nut
J.	106017	Conical Toothed Washer
K.		½" Lock washer
L.		½" NC Hex Nut

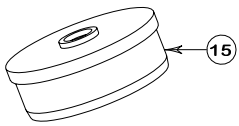
PICKUP HEAD/DIVIDER POINT TOOL



DIVIDER SHOE



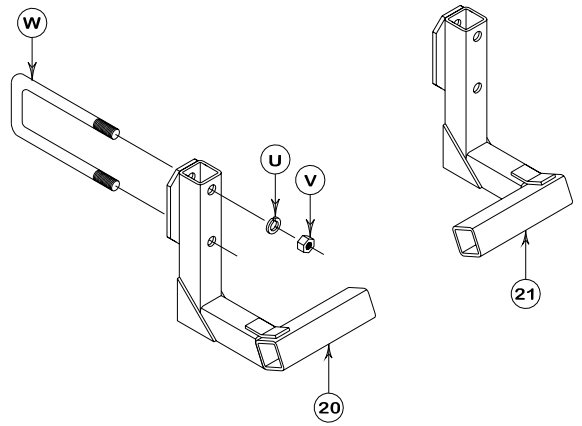
ROLLER END CAP



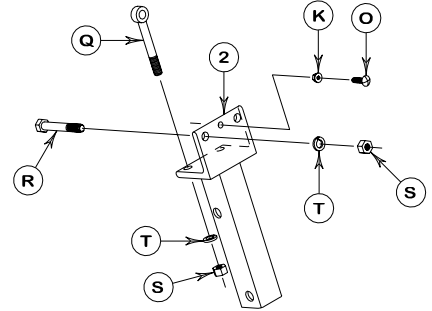
NOSE CONE



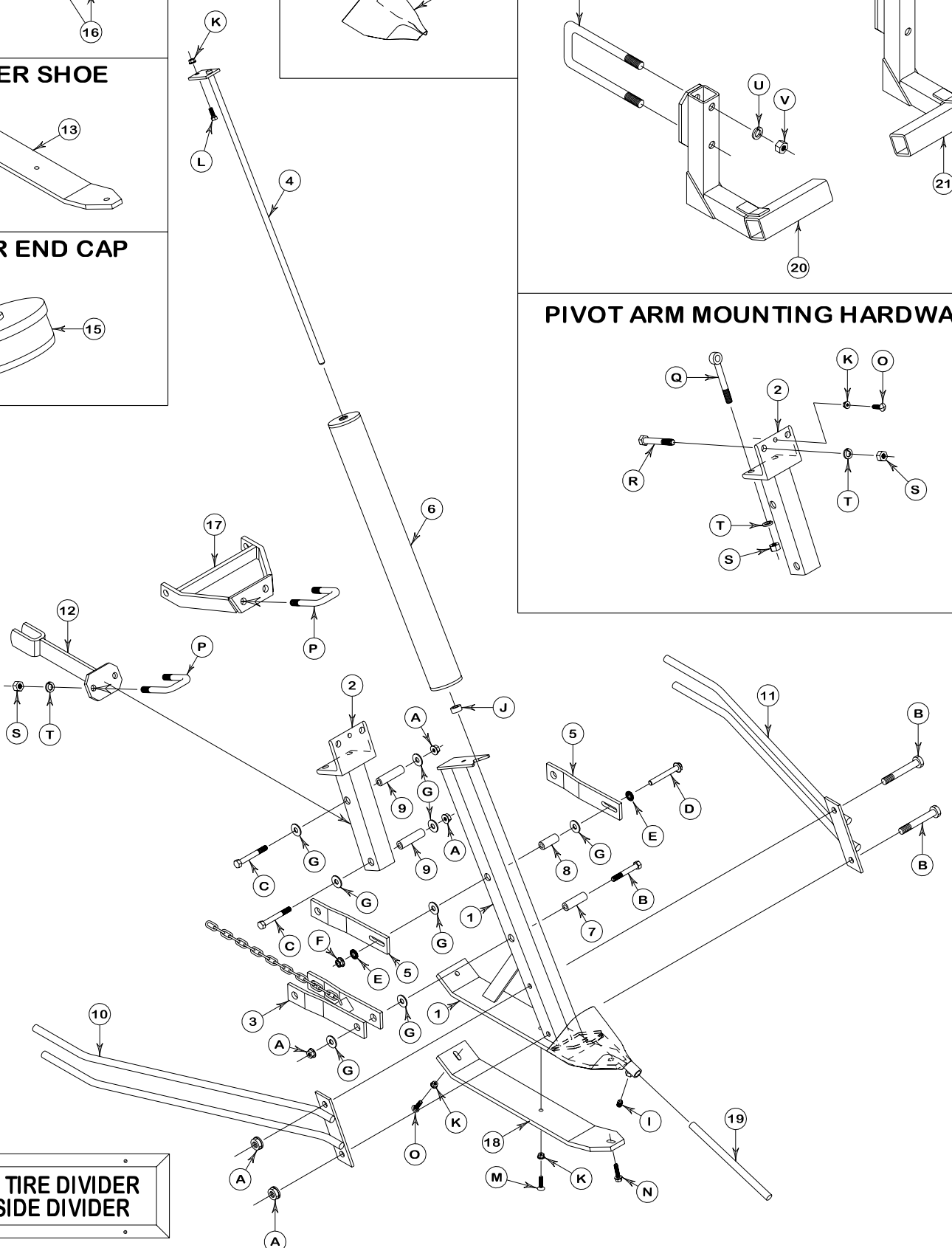
OUTSIDE MOUNTING BRACKETS



PIVOT ARM MOUNTING HARDWARE



**FRONT TIRE DIVIDER
/ OUTSIDE DIVIDER**



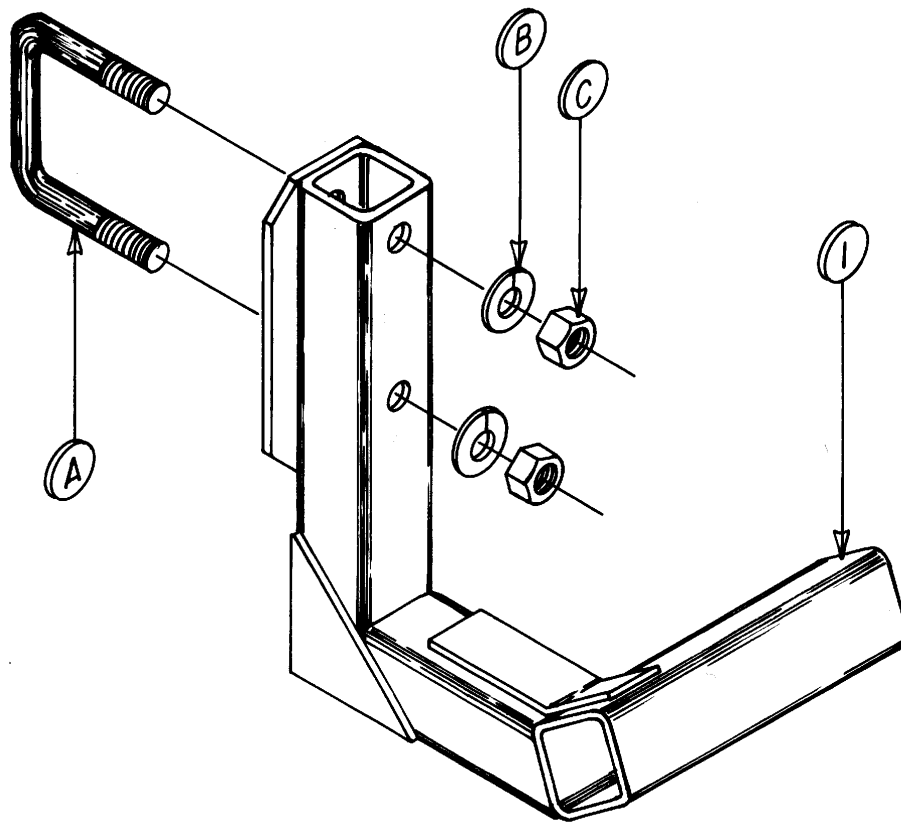
FRONT TIRE DIVIDER ASSEMBLY (1996-Present)

Parts List

<u>Item No.</u>	<u>Part No.</u>	<u>Description</u>
1.	300020-97	Main Frame
2.	300085	Pivot Arm Mount—See Hardware Items: Q, R, S & T
3.	300013	Lower Pivot Arm (Includes bushings Items: 7 & 9)
4.	300056	Divider Pin
5.	300014	Upper Pivot Arm (Includes bushings Items: 8 & 9)
6.	300006	Divider Roller
7.	300057	Lower Front Bushing—2.8125" long
8.	300058	Upper Front Bushing—2.125" long
9.	300059	Pivot Arm Bushing—3.3125" long
10.	300033	R.H. Divider Rod, short
10a.	300067	R.H. Divider Rod, long (Not Shown)
11.	300034	L.H. Divider Rod, short
11a.	300066	L.H. Divider Rod, long (Not Shown)
12.	900506	Divider Brace (Std Shank)
13.	300005	Divider Shoe (weld on replacement)
14.	300021	Nose Cone (weld on replacement)
15.	118001	Roller End Cap
16.	901475	Divider Point Adjustment Tool
17.	905245	Divider Brace (Scissor Gauge Wheel)
18.	300095	Divider Wear Shoe (UHMW)
19.	300024	Divider Point
20.	200289	R.H. Outside Mounting Bracket (Std Shank)
20a.	200300	R.H. Outside Mounting Bracket (C-Shank) (not shown)
21.	200288	L.H. Outside Mounting Bracket (Std Shank)
21a.	200301	L.H. Outside Mounting Bracket (C-Shank) (not shown)
	300018	Front Tire Divider—Complete without Rods

Hardware List

<u>Item No.</u>	<u>Part No.</u>	<u>Description</u>
A.		1/2" NC Whiz Nut
B.		1/2" x 3 1/2" NC Hex Bolt
C.		1/2" x 4" NC Hex Bolt
D.		1/2" x 4" NC Hex Flange Bolt
E.		1/2" Disc Lock Washer
F.		1/2" NC Hex Flange Lock Nut
G.		1/2" Flat Washer
H.	106058	Bolt Kit, Divider Upper Front Bolt (Includes: 1) D, 2) E, 1) F & 2) G
I.		1/2" x 3/4" NC Set Screw (square head)
J.	103042	Collar, 5/8" Lock
K.		3/8" NC Whiz Nut
L.		3/8" x 1" NC Hex Bolt
M.		3/8" x 1 1/2" NC Flat Head Bolt
N.		3/8" x 1 1/2" NC Whiz Head Bolt
O.		3/8" x 1 1/2" NC Carriage Bolt
P.	121004	U-Bolt, Type E 5/8" x 2 9/16" x 4"
Q.	118026	5/8" x 4 1/2" NC Eye Bolt
R.		5/8" x 4 1/2" NC Hex Bolt
S.		5/8" NC Hex Nut
T.		5/8" Lock Washer
U.		3/4" Lock Washer
V.		3/4" NC Hex Nut
W.	121001	U-Bolt, Type B 3/4" x 4" x 10 1/2"



R.H. OUTSIDE MOUNTING BRACKET ASSEMBLY

R.H. OUTSIDE MOUNTING BRACKET ASSEMBLY

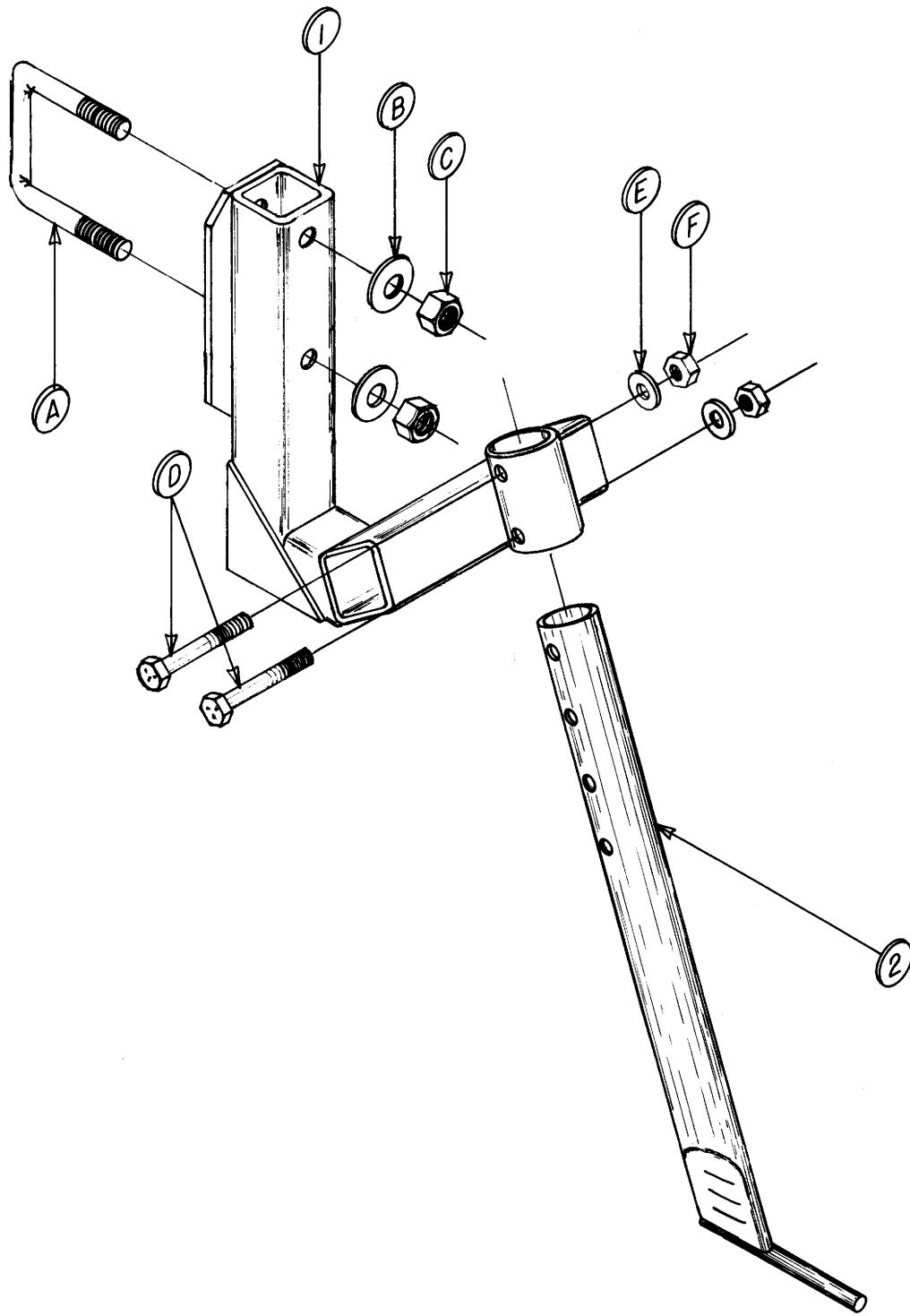
(1988–Present)

Parts List

<u>Item No.</u>	<u>Part No.</u>	<u>Description</u>
1.	200289	R.H. Outside Mounting Bracket
Not Shown	200288	L.H. Outside Mounting Bracket
Not Shown	200300	R.H. Outside Mounting Bracket (C-shank Type)
Not Shown	200301	L.H. Outside Mounting Bracket (C-shank Type)

Hardware List

<u>Item No.</u>	<u>Part No.</u>	<u>Description</u>
A.	121001	U-Bolt, Type B— $\frac{3}{4}$ " \times 4" Wide \times 10 $\frac{1}{2}$ " Long
B.		$\frac{3}{4}$ " Lock Washer
C.		$\frac{3}{4}$ " NC Hex Nut



R.H. CENTER DIVIDER ASSEMBLY

RH CENTER PIPE DIVIDER ASSEMBLY (1988–1994)

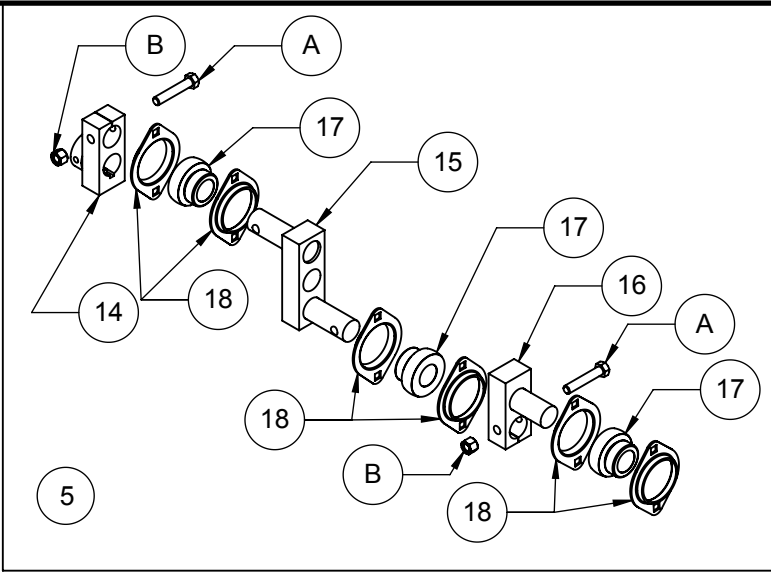
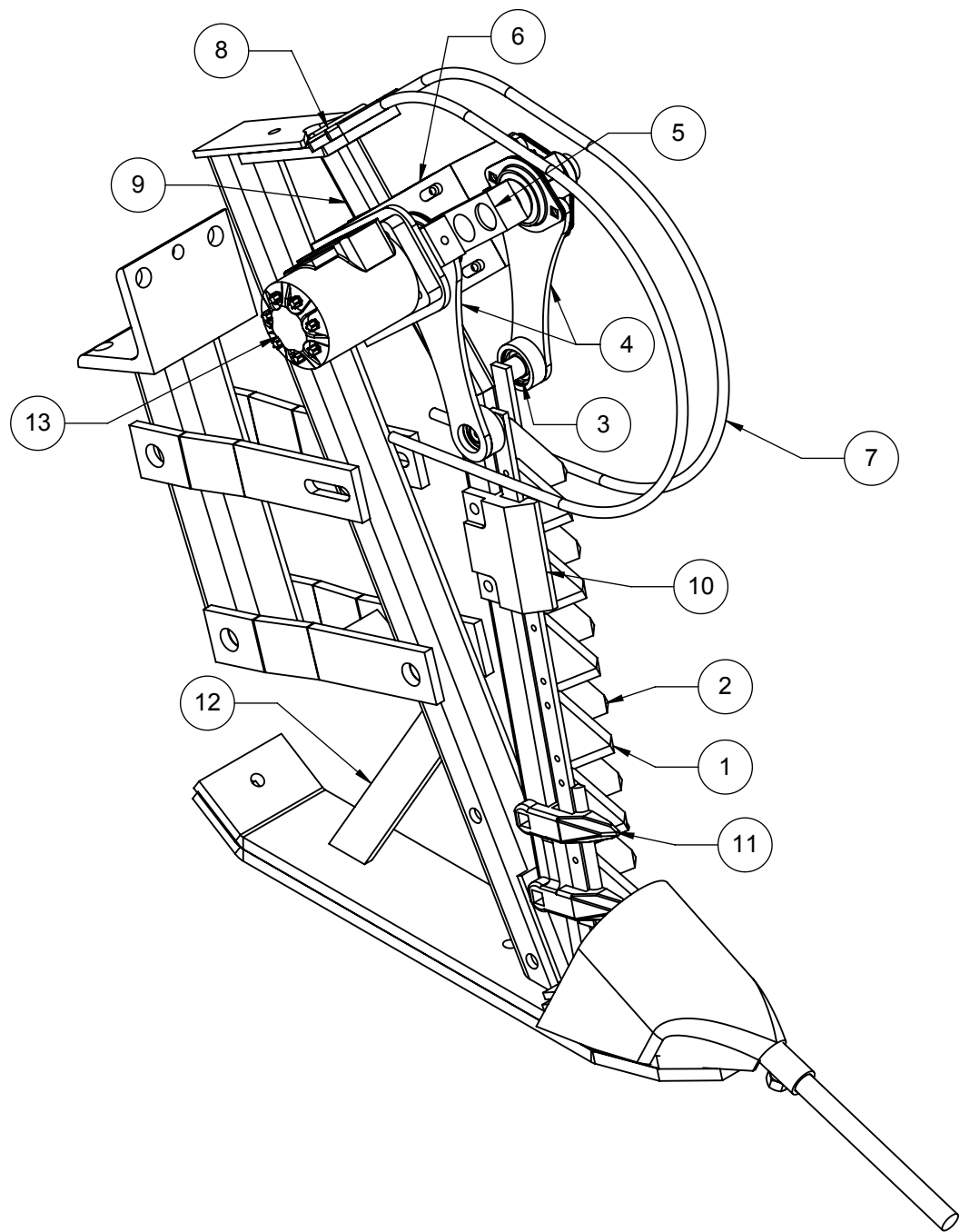
Parts List

<u>Item No.</u>	<u>Part No.</u>	<u>Description</u>
1.	200221★	R.H. Center Divider Assembly
2.	200217★	Divider Pipe Assembly
Not Shown	200220★	L.H. Center Divider Assembly

Hardware List

<u>Item No.</u>	<u>Part No.</u>	<u>Description</u>
A.	121001	U-Bolt, Type B $\frac{3}{4}$ " \times 4"W \times 10 $\frac{1}{2}$ " Long
B.		$\frac{3}{4}$ " Lock Washer
C.		$\frac{3}{4}$ " NC Hex Nut
D.		$\frac{1}{2}$ " \times 3" NC Hex Bolt
E.		$\frac{1}{2}$ " Lock Washer
F.		$\frac{1}{2}$ " NC Hex Nut

★ This part is manufactured on a built-to-order basis only. Call Pickett Equipment for availability and lead-time.



Sickle Divider

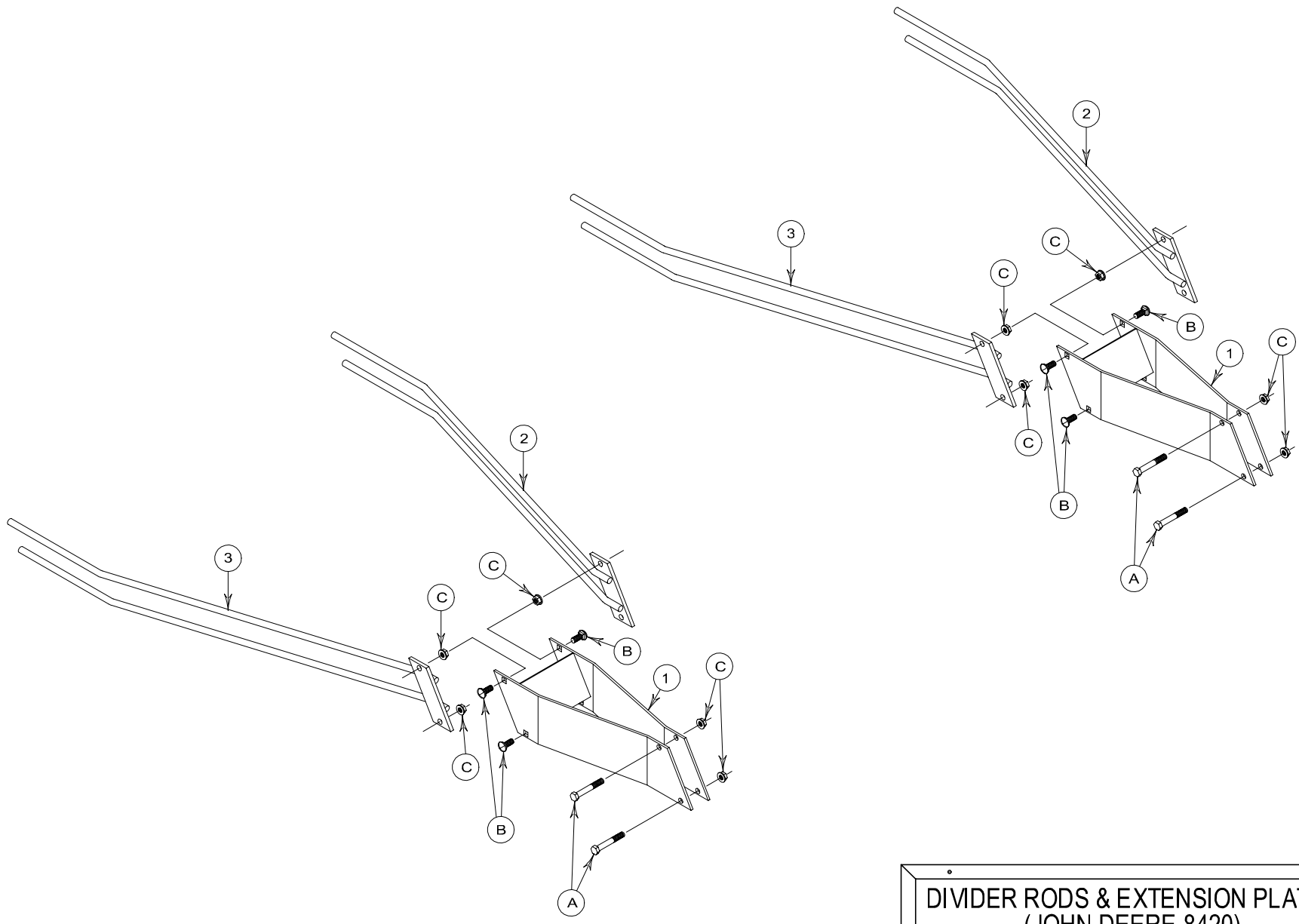
SICKLE DIVIDER

Parts List

<u>Item No.</u>	<u>Part No.</u>	<u>Qty</u>	<u>Description</u>
1.	200027	1	R.H. Sickle Blade Assembly
2.	200028	1	L.H. Sickle Blade Assembly
3.	102089	2	Bearing, Pivot Arm (Lower, Insert)
4.	200019	2	Pivot Arm
5.	200035	1	Driveshaft & Upper Bearing Package (includes all items 14 – 18)
6.	200060	1	Driveshaft Housing
7.	118015	1	Hold Down Rod
8.	200122	1	Hold Down Rod Bracket
9.	200025	1	Sickle Main Frame
10.	200016	2	Sickle Blade Guide (UHMW, Upper)
11.	111005	2	Sickle Blade Guide (Cast, Lower)
12.	300106	1	Divider, Front (no roller, no rods)
13.	113029	1	Hydraulic Motor
14.	200497	1	Driveshaft Motor Coupler Assembly
15.	200501	1	Driveshaft Intermediate Assembly
16.	200502	1	Driveshaft End Assembly
17.	102005	3	Bearing, 1" Insert with Lock Collar
18.	106013	3pr.	Flangette, 2-Hole
Not Shown	200140		Sickle Module Assembly (includes all items 1 - 13, except item no.12)
Not Shown	200141		Sickle Divider Assembly (includes all items 1 – 13)

Hardware List

<u>Item No.</u>	<u>Part No.</u>	<u>Qty</u>	<u>Description</u>
A.		2	3/8" x 2" NC Hex Bolt
B.		2	3/8" NC Stover Type Lock Nut



DIVIDER RODS & EXTENSION PLATES
(JOHN DEERE 8420)

Front Divider Rods & Extension Plates (John Deere 8420)

Parts List

<u>Item No.</u>	<u>Part No.</u>	<u>Qty</u>	<u>Description</u>
1.	300110	2	Divider Rod Extension Plate
2.	300111	2	L.H. Divider Rod (long) (reversed plate)
3.	300112	2	R.H. Divider Rod (long) (reversed plate)

Hardware List

<u>Item No</u>	<u>Part No.</u>	<u>Qty</u>	<u>Description</u>
A.		4	½" x 3" NC Hex Bolt
B.		8	½" x 1 ¼" NC Carriage Bolt
C.		12	½" NC Whiz Nut