

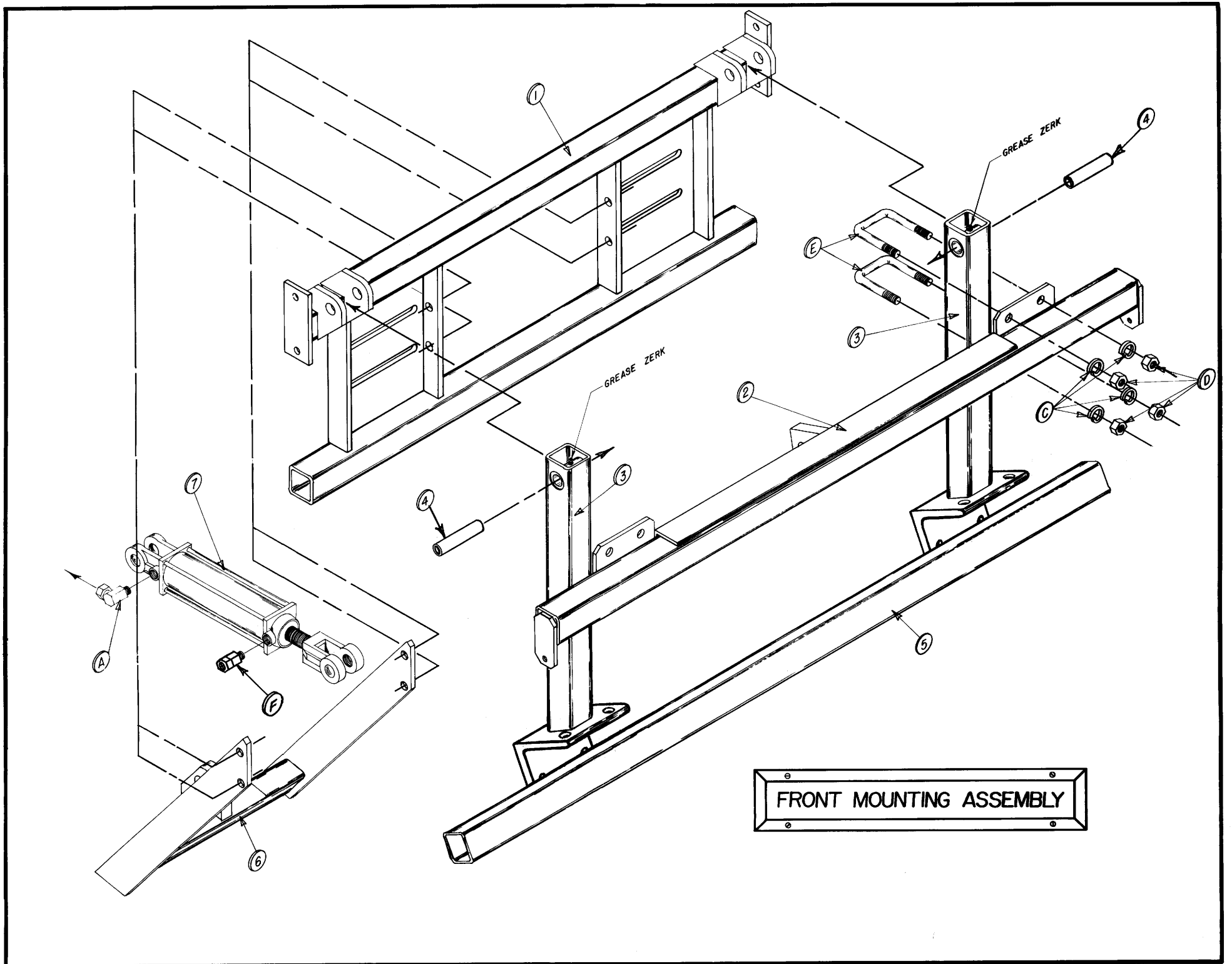
Divider Systems

Front Mounting Assembly

Section 3

Model Years 1988 – 1996	2-3
Front Assist Arms 1988 – 1996	4-5

Return to this page by clicking the upper right corner of any page in this section.



FRONT MOUNTING ASSEMBLY #200225 (1988–1996)

Complete Mounting Assembly

Parts List

<u>Item No.</u>	<u>Part No.</u>	<u>Description</u>
1.	200205	Front Mounting Base with Assist Mount
2.	200215	Upper Ram Mount–6 Row 30 (63")
3.	200015	Lifting Arm–See Hardware Items: G, H, I, J
4.	200072	Lifting Arm Bushing
5.	200229	Divider Tube–6 Row 30 (72")
6.	200210	Lower Ram Mount
7.	103027	Cylinder, Hydraulic
Not Sown	200213	Upper Ram Mount–8 Row 30 (128")
Not Shown	200214	Upper Ram Mount–8 Row 22 (91")
Not Shown	200224	Divider Tube–8 Row 22 (96")
Not Shown	200211-72*	Upper Ram Mount (75")**
Not Shown	200211-80*	Upper Ram Mount (83")**
Not Shown	200211-76*	Upper Ram Mount (79")**
Not Shown	200223-72*	Divider Tube (80")**
Not Shown	200223-80*	Divider Tube (92")**
Not Shown	200223-76*	Divider Tube (88")**

Hardware List

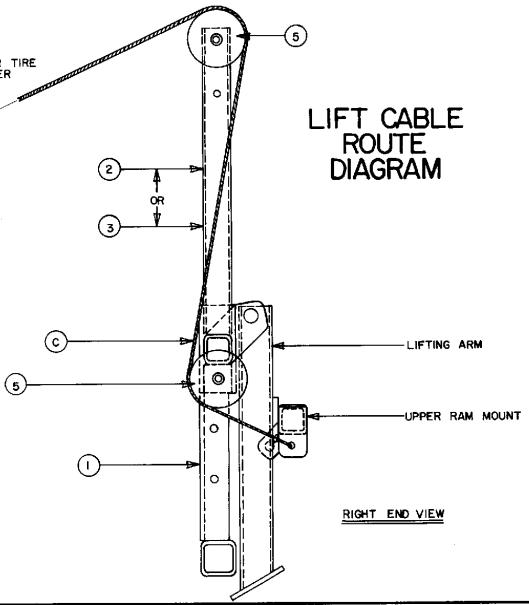
<u>Item No.</u>	<u>Part No.</u>	<u>Description</u>
A.	101150	Hydraulic Adapter, 6901-6-8
B.	116009	Pin, Hair
C.		1/2" Lock Washer
D.		1/2" NC Hex Nut
E.	121004	U-Bolt, Type E–5/8" x 2 9/16" x 4"
F.	101153	1/4" Breather Assembly–Includes: 101152 Breather Adapter
G.	118026	5/8" x 4 1/2" NC Eye Bolt,–Grade 8
H.		5/8" x 1/2" NC Hex Bolt
I.		5/8" NC Hex Nut
J.		5/8" Lock Washer

* The number following the 6 digit part number designates tractor tire width (tire center to tire center).

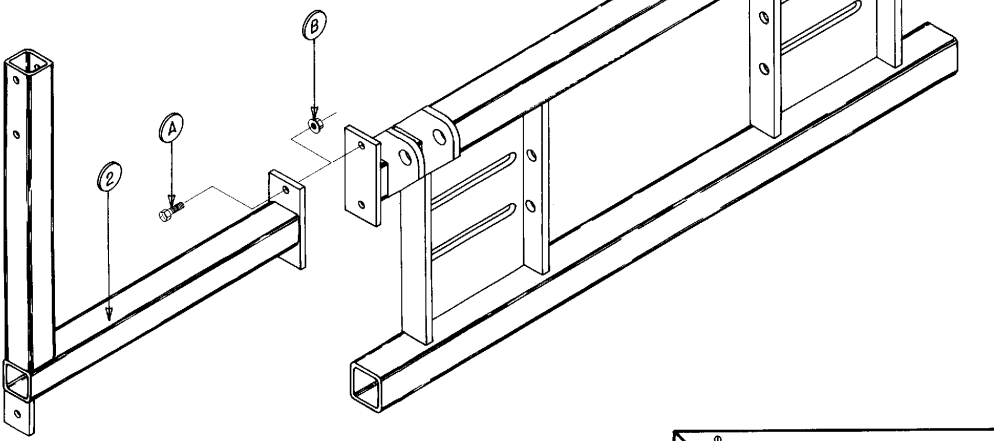
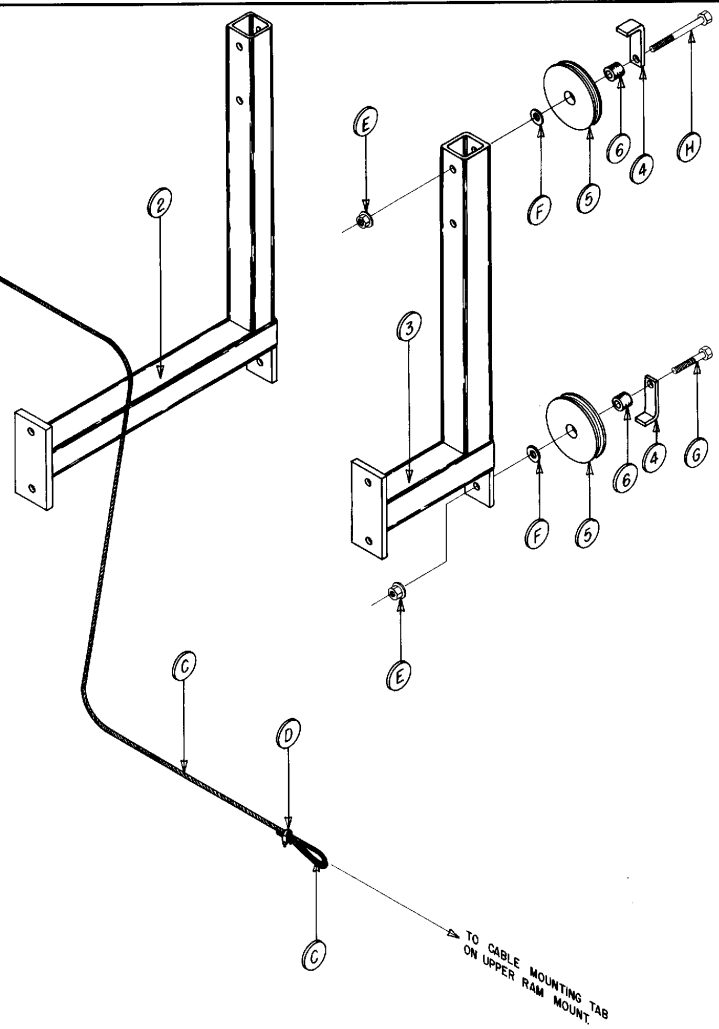
** This measurement designates overall tube length only.

TO REAR TIRE DIVIDER

LIFT CABLE ROUTE DIAGRAM

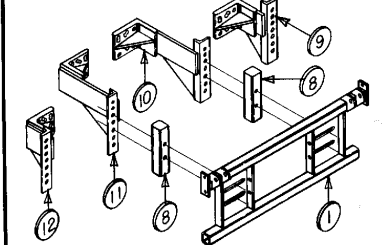


TO CABLE MOUNTING TAB ON REAR TIRE DIVIDER.

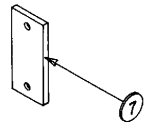


FRONT MOUNTING BASE W/ASSISTS

WEIGHT MOUNT BRACKETS



EXTENSION ARM MOUNT PLATE



NOTE: FOR USE IN CONVERTING PRE-92 MOUNTING BASES TO ACCEPT NEW STYLE FRONT ASSIST EXTENSION ARMS.

FRONT MOUNTING BASE—with Assist (1988–1996)

Parts List

<u>Item No.</u>	<u>Part No.</u>	<u>Description</u>
1.	200205	Front Mounting Base with Assist Mount
2.	200268	Front Assist Extension Arm—8 Row 22
3.	200269	Front Assist Extension Arm—6 Row 30
4.	200267	Pulley Guard
5.	116010	Front Assist Pulley
6.	200276	Pulley Bushing
7.	200274	Front Assist Extension Arm Mount Plate
8.	200010	Front Mounting Base—Spacer Tube, Optional
9.	900597	L.H. 2WD Universal Weight Mount Bracket
10.	900599	L.H. 4WD Universal Weight Mount Bracket
11.	900598	R.H. 4WD Universal Weight Mount Bracket
12.	900596	R.H. 2WD Universal Weight Mount Bracket
Not Shown	200273-72*	Front Assist Extension Arm (13 $\frac{3}{4}$ ")**
Not Shown	200273-80*	Front Assist Extension Arm (17 $\frac{3}{4}$ ")**
Not Shown	200273-76*	Front Assist Extension Arm (15 $\frac{3}{4}$ ")**

Hardware List

<u>Item No.</u>	<u>Part No.</u>	<u>Description</u>
A.		$\frac{7}{16}$ " \times $1\frac{1}{4}$ " NC Hex Bolt—Grade 5
B.		$\frac{7}{16}$ " NC Whiz Nut
C.	103043	$\frac{1}{4}$ " Steel Cable, 13' Long
D.		$\frac{1}{4}$ " Cable Clamp
E.		$\frac{1}{2}$ " NC Whiz Nut
F.		$\frac{1}{2}$ " Flat Washer
G.		$\frac{1}{2}$ " \times $2\frac{1}{4}$ " NC Hex Bolt
H.		$\frac{1}{2}$ " \times 4" NC Hex Bolt

* The number following the 6 digit part number designates tire width (tire center to tire center).

** This measurement designates overall horizontal tube length only.