

# Divider Systems

## Front Brackets That Allow Weights To Be Left On (WLO)

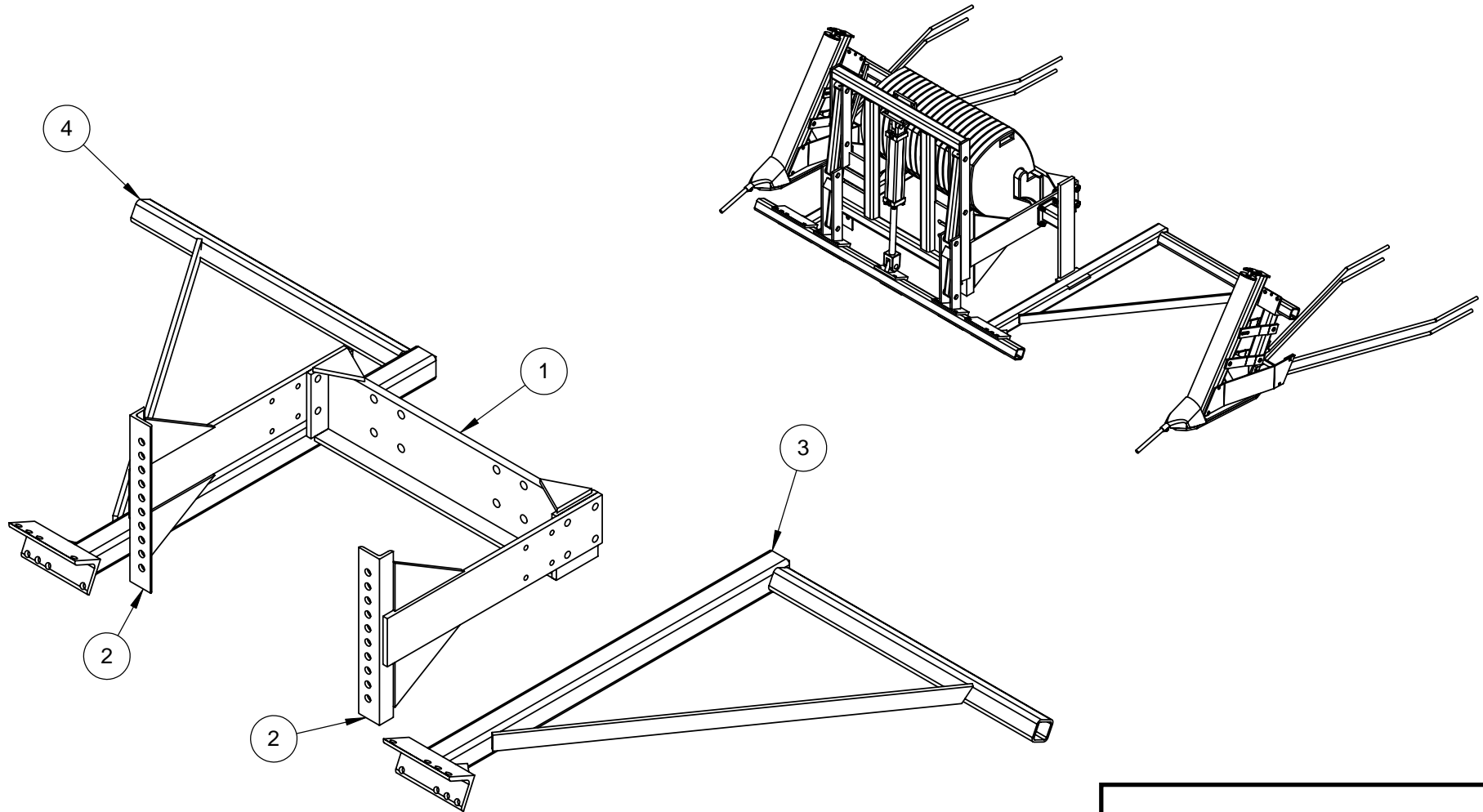
## Section 6

Cat MT Series (Tracks at 120").....	2
John Deere 40 – 50 – 60 Series .....	3
John Deere 7800.....	4
John Deere 7920.....	5
John Deere 8000 – 8030 – 8R Series.....	6
John Deere 8030 – 8R Series Weight Off.....	7
Case IH Magnum .....	8
Case IH MX Magnum.....	9
John Deere 8430 Track.....	10
Agco DT a .....	11
Case IH Puma.....	12
New Holland T7000.....	13
Case IH Puma (Non Removable Front Weight Base).....	14
New Holland TG – T8000 30" Rows .....	15
New Holland TG – T8000 22" Rows .....	16
New Holland Genesis.....	17
John Deere 8RT Series.....	18
Case IH Magnum Tier 4.....	19
John Deere 7R Series.....	20
John Deere 7020 – 7030 Small Frame .....	21
New Holland T8.....	22

Return to this page by clicking the upper right corner of any page in this section.

ITEM NO.	PART NUMBER	DESCRIPTION	QTY.
1	200486	WMB Base Assembly	1
2	200491	WMB Side Assembly	2
3	200494	LH Extension Arm Assembly	1
4	200493	RH Extension Arm Assembly	1

## Cat MT Series Weight Mount System With Weights Left On Tracks at 120"

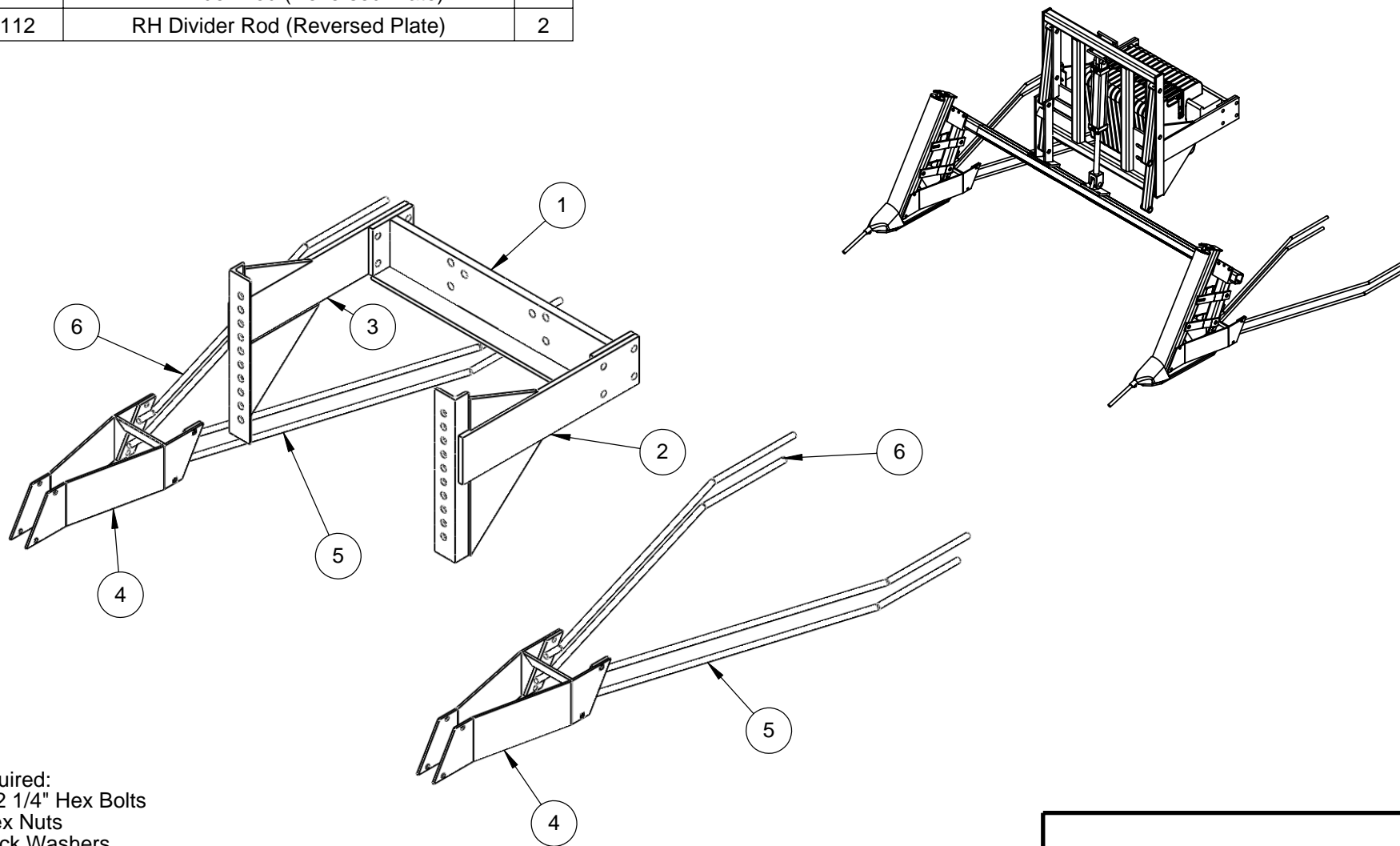


Additional Hardware Required:  
 8 - M20 x 2.5 x 150mm gd 10.9 Hex Bolts  
 8 - 3/4" x 2 1/4" Hex Bolts  
 8 - 3/4" Hex Nuts  
 8 - 3/4" Lock Washers

**Kit # 405043**

ITEM NO.	PART NUMBER	DESCRIPTION	QTY.
1	200479	WMB Base Assembly	1
2	200476	RH WMB Assembly	1
3	200477	LH WMB Assembly	1
4	300110-C	Divider Rod Extension Plate Assembly	2
5	300111	LH Divider Rod (Reversed Plate)	2
6	300112	RH Divider Rod (Reversed Plate)	2

## John Deere 40-50-60 Series Weight Mount System With Weights Left On



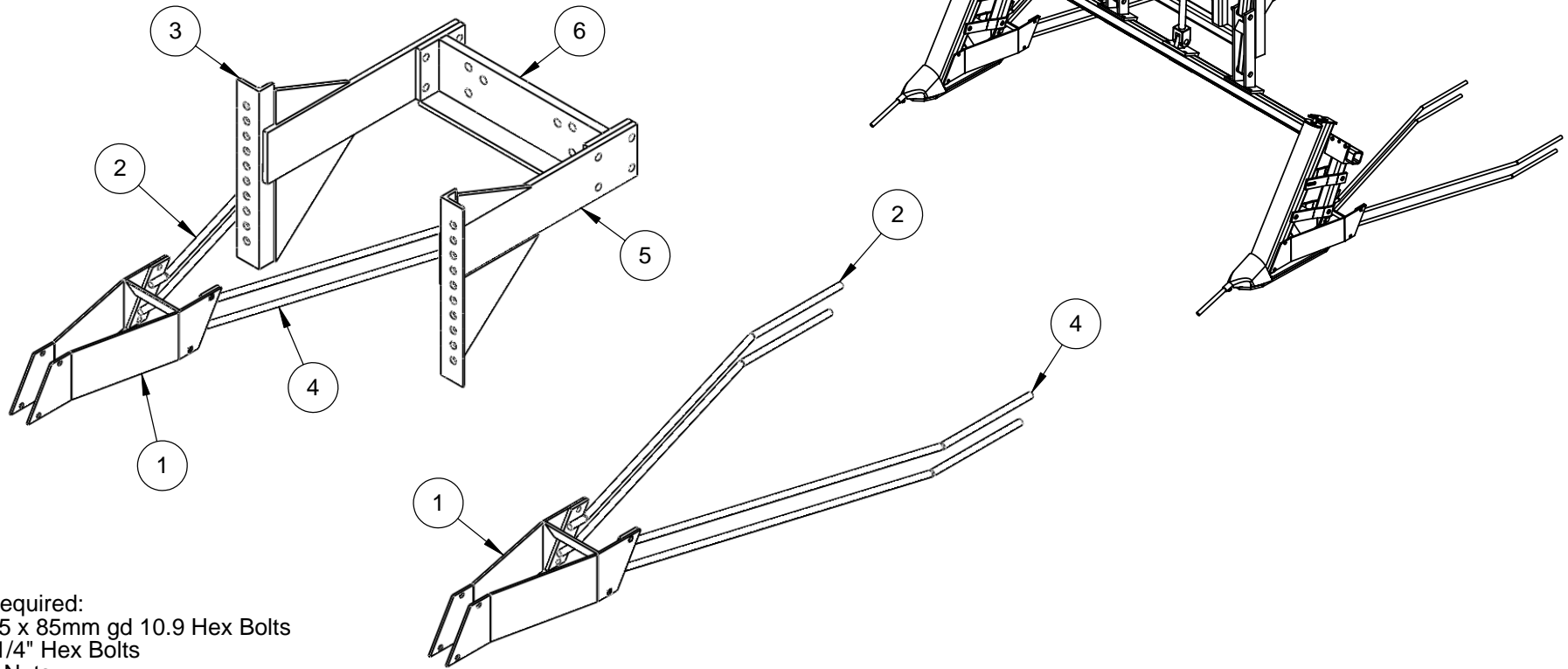
### Hardware Required:

- (All) 8 - 3/4" x 2 1/4" Hex Bolts
- 8 - 3/4" Hex Nuts
- 8 - 3/4" Lock Washers
- 4 - 1/2" x 3" Hex Bolts
- 8 - 1/2" x 1 1/4" Carriage Bolts
- 12 - 1/2" Wiz Nuts
- 40 Series 6 - 3/4" x 3 1/2" Hex Bolts gd 8
- 50 Series 6 - 3/4" x 3 1/2" Hex Bolts gd 8
- 60 Series 6 - 3/4" x 12 1/2" Hex Bolts gd 8

**Kit # 405044**

ITEM NO.	PART NUMBER	DESCRIPTION	QTY.
1	300110-C	Divider Rod Extension Plate Assembly	2
2	300112	RH Divider Rod (Reversed Plate)	2
3	200476	RH WMB Assembly	1
4	300111	LH Divider Rod (Reversed Plate)	2
5	200477	LH WMB Assembly	1
6	200473	WMB Main Mounting Base Assembly	1

## John Deere 7800 Weight Mount System With Weights Left On



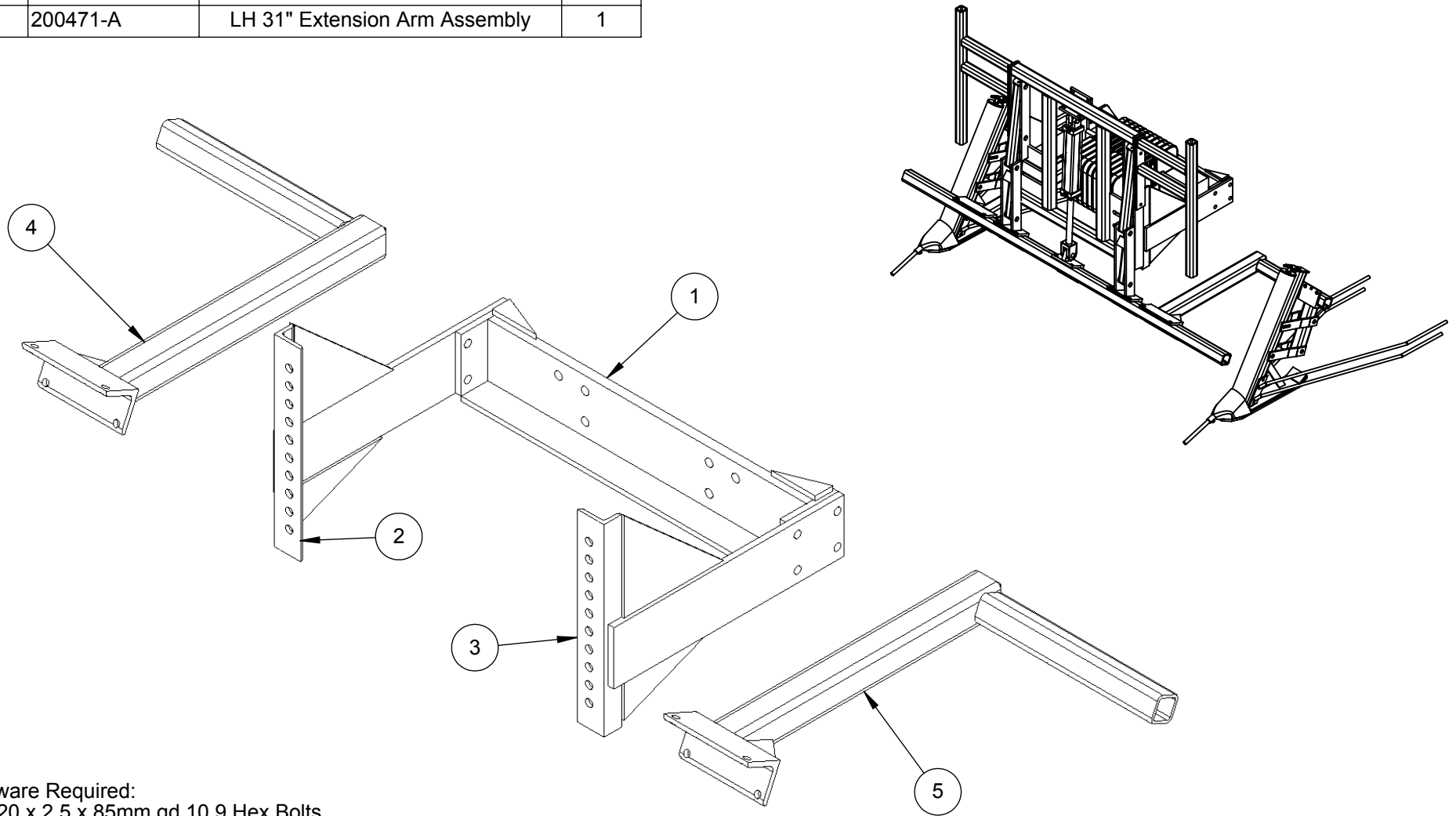
### Hardware Required:

- 6 - M20 x 2.5 x 85mm gd 10.9 Hex Bolts
- 8 - 3/4" x 2 1/4" Hex Bolts
- 8 - 3/4" Hex Nuts
- 8 - 3/4" Lock Washers
- 4 - 1/2" x 3" Hex Bolts
- 8 - 1/2" x 1 1/4" Carriage Bolts
- 12 - 1/2" Wiz Nuts

**Kit # 405045**

ITEM NO.	PART NUMBER	DESCRIPTION	QTY.
1	200455-A	WMB Main Mounting Base	1
2	200476	RH WMB Assembly	1
3	200477	LH WMB Assembly	1
4	200470-A	RH 31" Extension Arm Assembly	1
5	200471-A	LH 31" Extension Arm Assembly	1

## John Deere 7920 Weight Mount System With Weights Left On



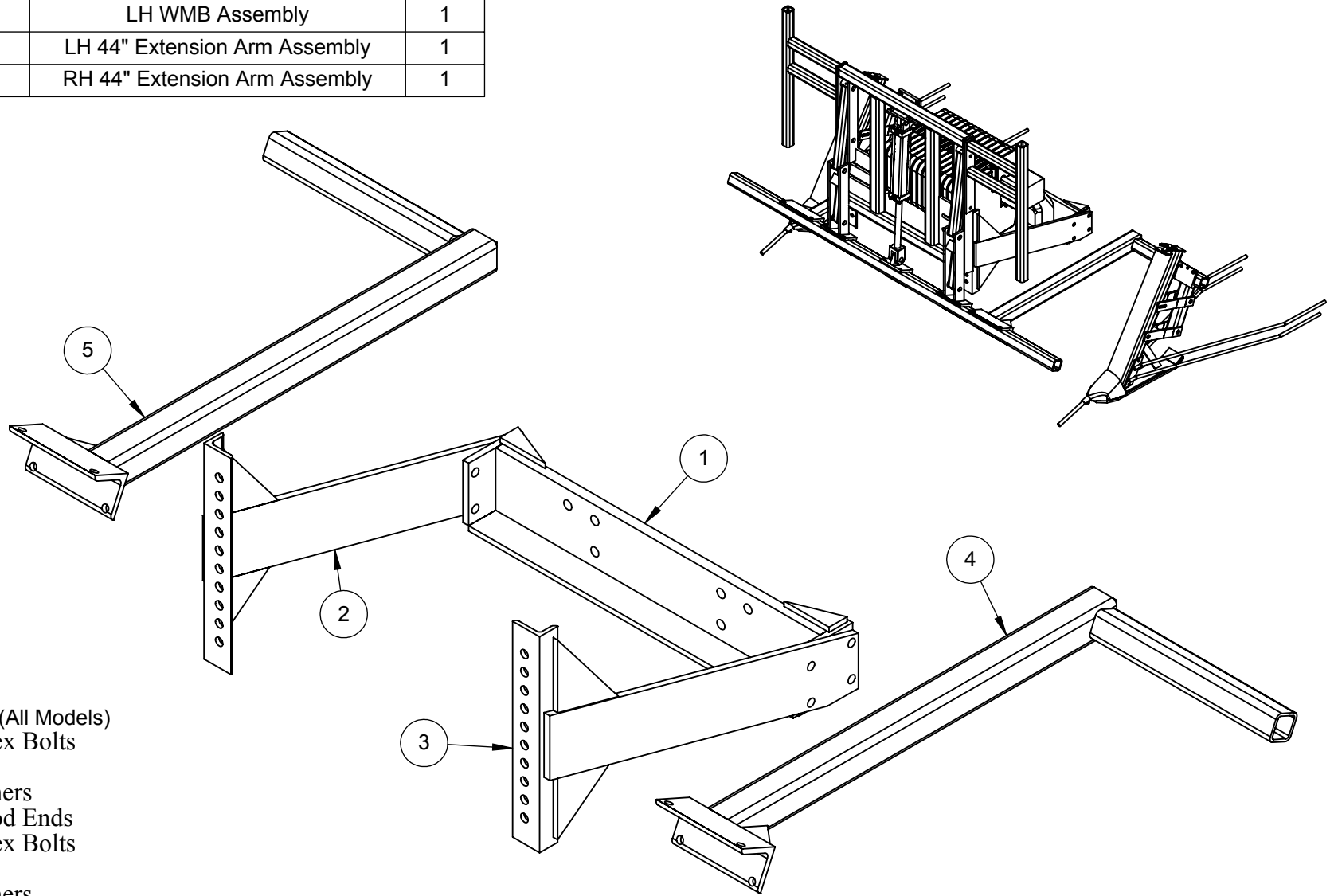
### Hardware Required:

- 6 - M20 x 2.5 x 85mm gd 10.9 Hex Bolts
- 8 - 3/4" x 2 1/4" Hex Bolts
- 8 - 3/4" Hex Nuts
- 8 - 3/4" Lock Washers
- 4 - 5/8" x 4 1/2" Rod Ends
- 4 - 5/8" x 4 1/2" Hex Bolts
- 8 - 5/8" Hex Nuts
- 8 - 5/8" Lock Washers
- 2 - 1/4" Cables 17' long

**Kit # 405046**

ITEM NO.	PART NUMBER	DESCRIPTION	QTY.
1	200455-A	WMB Main Mounting Base	1
2	200460	RH WMB Assembly	1
3	200461	LH WMB Assembly	1
4	200450-A	LH 44" Extension Arm Assembly	1
5	200449-A	RH 44" Extension Arm Assembly	1

## John Deere 8000 Series Weight Mount System With Weights Left On



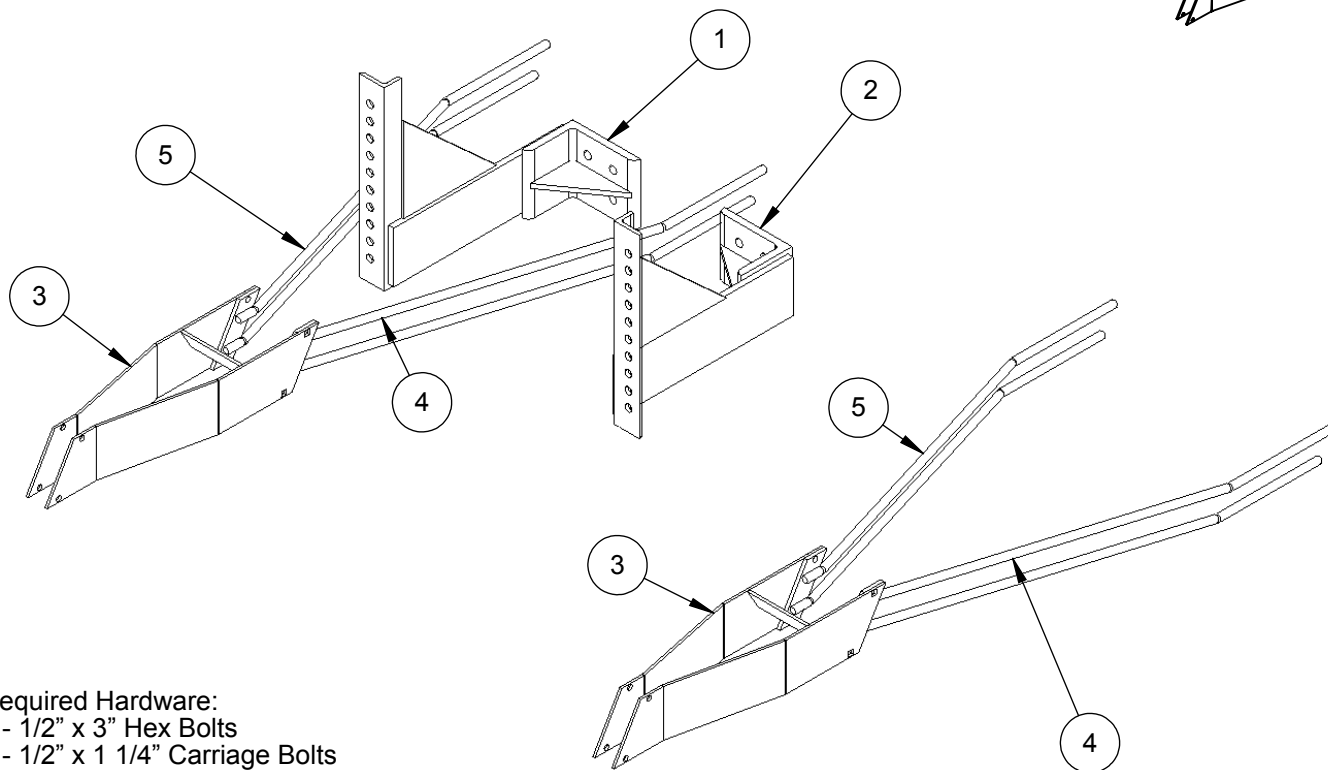
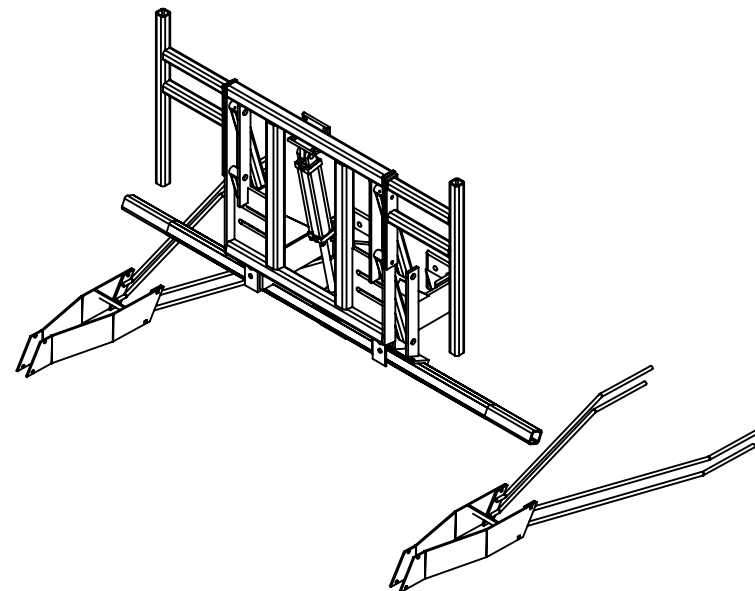
### Hardware Required: (All Models)

- 8 - 3/4" x 2 1/4" Hex Bolts
- 8 - 3/4" Hex Nuts
- 8 - 3/4" Lock Washers
- 4 - 5/8" x 4 1/2" Rod Ends
- 4 - 5/8" x 4 1/2" Hex Bolts
- 8 - 5/8" Hex Nuts
- 8 - 5/8" Lock Washers
- 2 - 1/4" Cables 17' long
- (8000 - 8010)
- 4 - M20 x 2.5 x 110mm Hex Bolts gd 10.9
- (8020 - 8030 - 8R Series)
- 6 - M20 x 2.5 x 180mm Hex Bolts gd 10.9

**Kit # 405047**

ITEM NO.	PART NUMBER	DESCRIPTION	QTY.
1	200445	RH WMB Assembly	1
2	200446	LH Weight Mount Bracket Assembly	1
3	300115	Divider Rod Extension Plate Assembly	2
4	300111	LH Divider Rod (Reversed Plate)	2
5	300112	RH Divider Rod (Reversed Plate)	2

## John Deere 8030 Series & 8R Series System With Weights Off

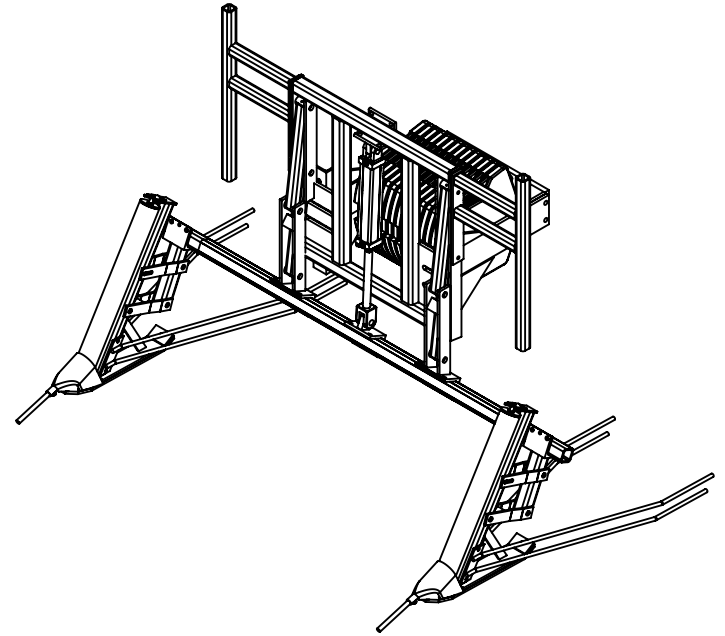
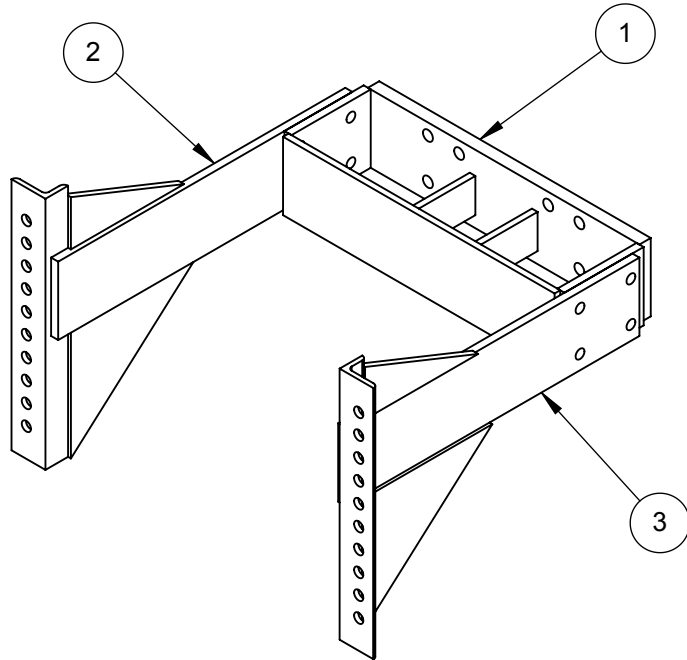


Required Hardware:  
 4 - 1/2" x 3" Hex Bolts  
 8 - 1/2" x 1 1/4" Carriage Bolts  
 12 - 1/2" Wiz Nuts

**Kit # 405048**

ITEM NO.	PART NUMBER	DESCRIPTION	QTY.
1	200482-A	WMB Base Assembly	1
2	200476	RH WMB Assembly	1
3	200477	LH WMB Assembly	1

## Case IH Magnum Weight Mount System With Weights Left On



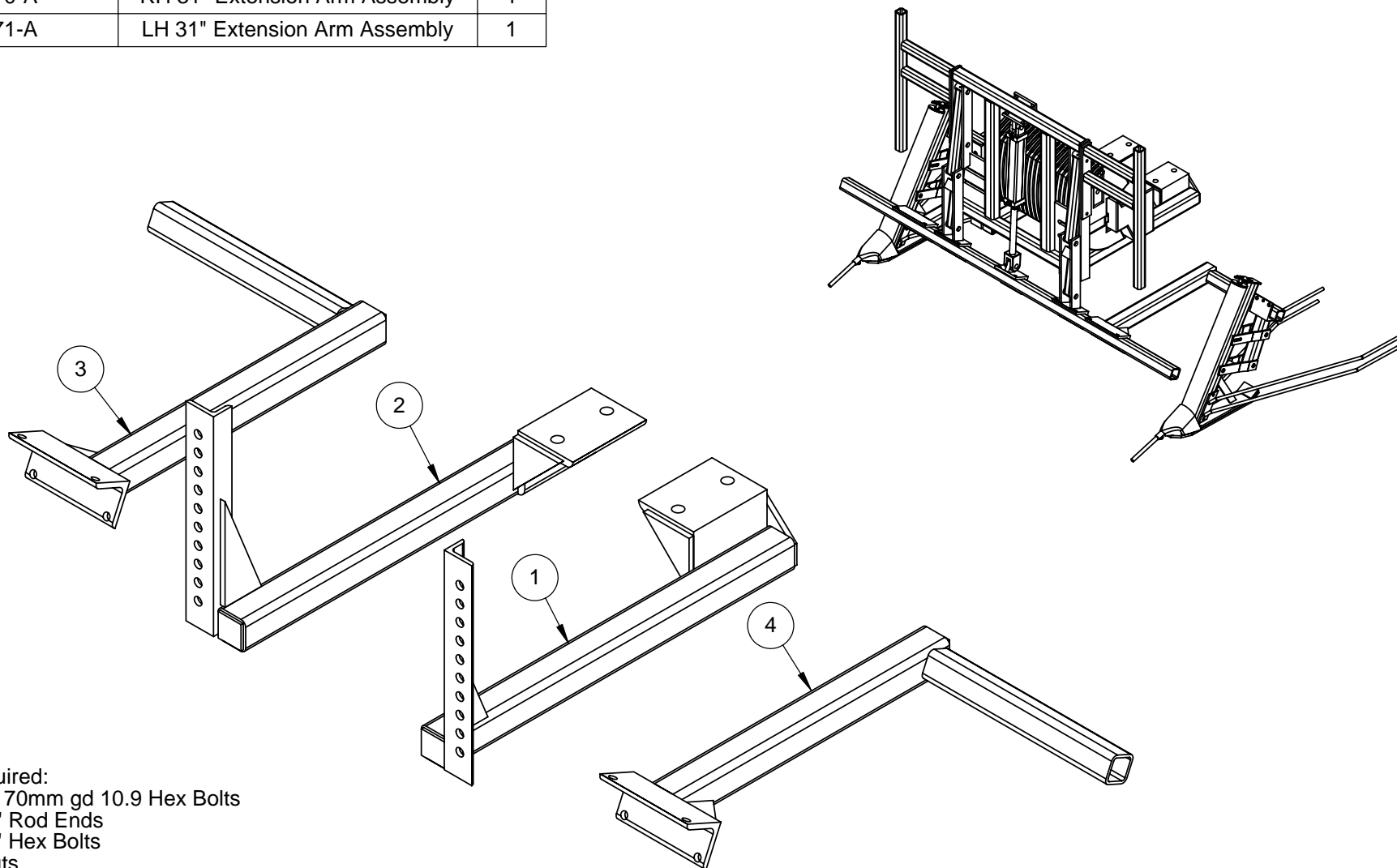
Hardware Required:  
 8 - 3/4" x 2 1/4" Hex Bolts  
 8 - 3/4" Hex Nuts  
 8 - 3/4" Lock Washers

**Kit # 405049**



ITEM NO.	PART NUMBER	DESCRIPTION	QTY.
1	200464-A	LH WMB Assembly	1
2	200463-A	RH WMB Assembly	1
3	200470-A	RH 31" Extension Arm Assembly	1
4	200471-A	LH 31" Extension Arm Assembly	1

## Case IH MX Magnum Weight Mount System With Weights Left On



### Hardware Required:

- 4 - M24 x 3.0 x 70mm gd 10.9 Hex Bolts
- 4 - 5/8" x 4 1/2" Rod Ends
- 4 - 5/8" x 4 1/2" Hex Bolts
- 8 - 5/8" Hex Nuts
- 8 - 5/8" Lock Washers

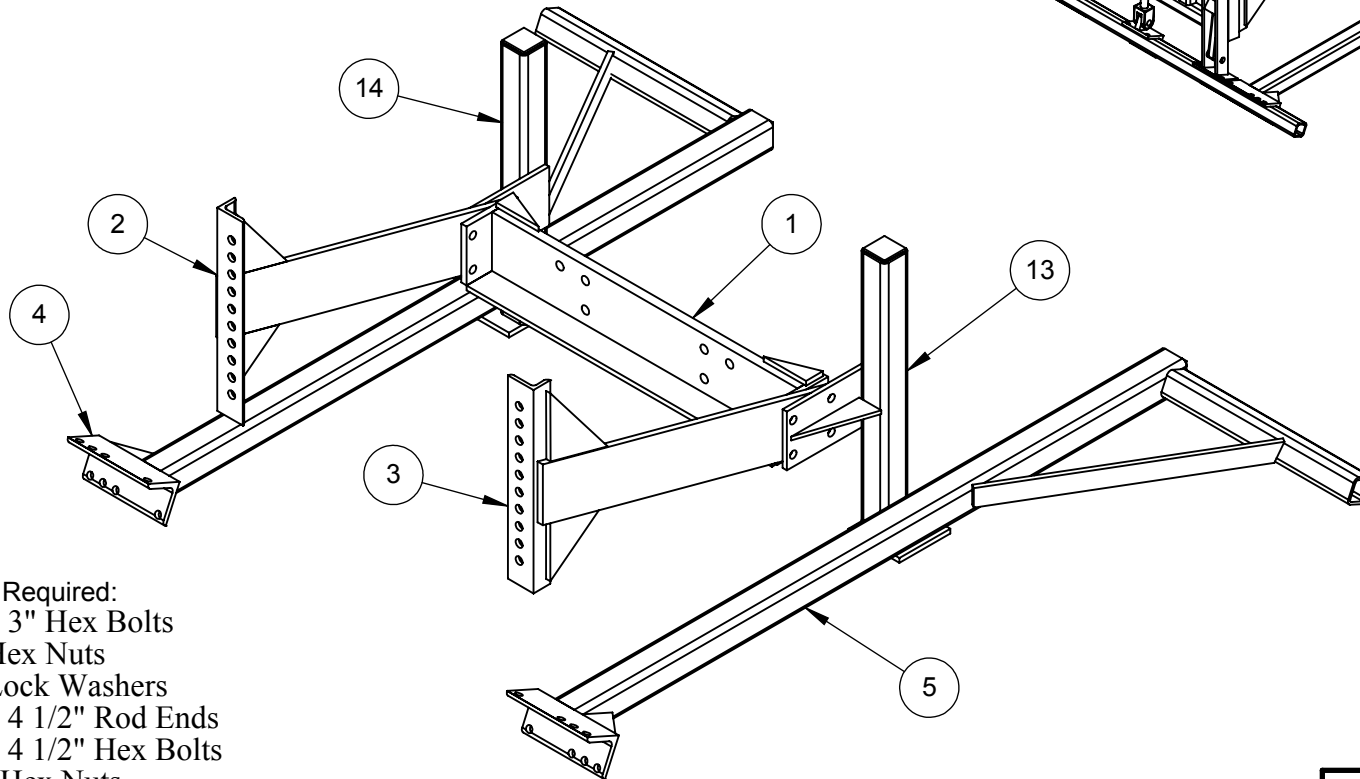
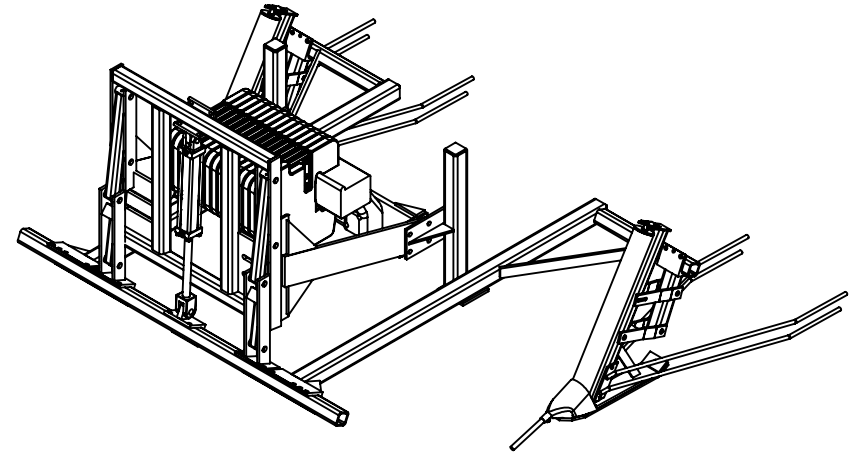
**Kit # 405050**

ITEM NO.	PART NUMBER	DESCRIPTION	QTY.
1	200455-A	WMB Main Mounting Base	1
2	200460	RH WMB Assembly	1
3	200461	LH WMB Assembly	1
4	200503	RH Divider Lift Arm Assembly	1
5	200504	LH Divider Lift Arm Assembly	1
13	200507-A	LH Divider Cradle Assembly	1
14	200506-A	RH Divider Cradle Assembly	1

## 8430 John Deere Track Weight Mount System With Weights Left On Tracks at 88"

For John Deere 8000T, 8010T & 8020T Substitute the following parts.

13	200557-A	LH Divider Cradle Assembly	1
14	200556-A	RH Divider Cradle Assembly	1



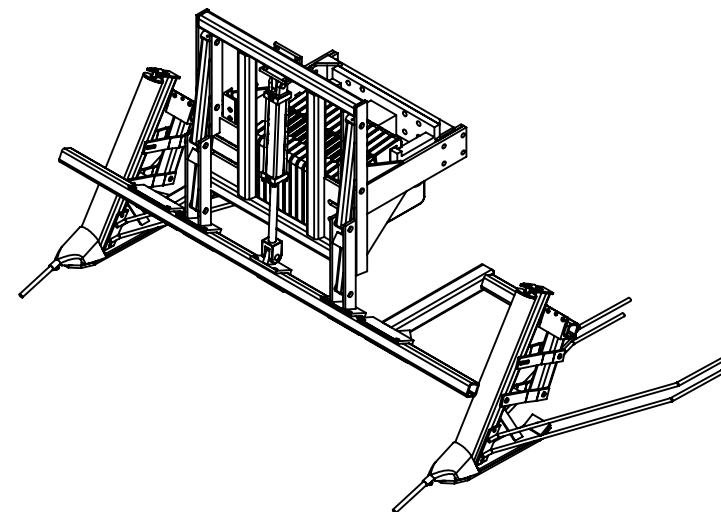
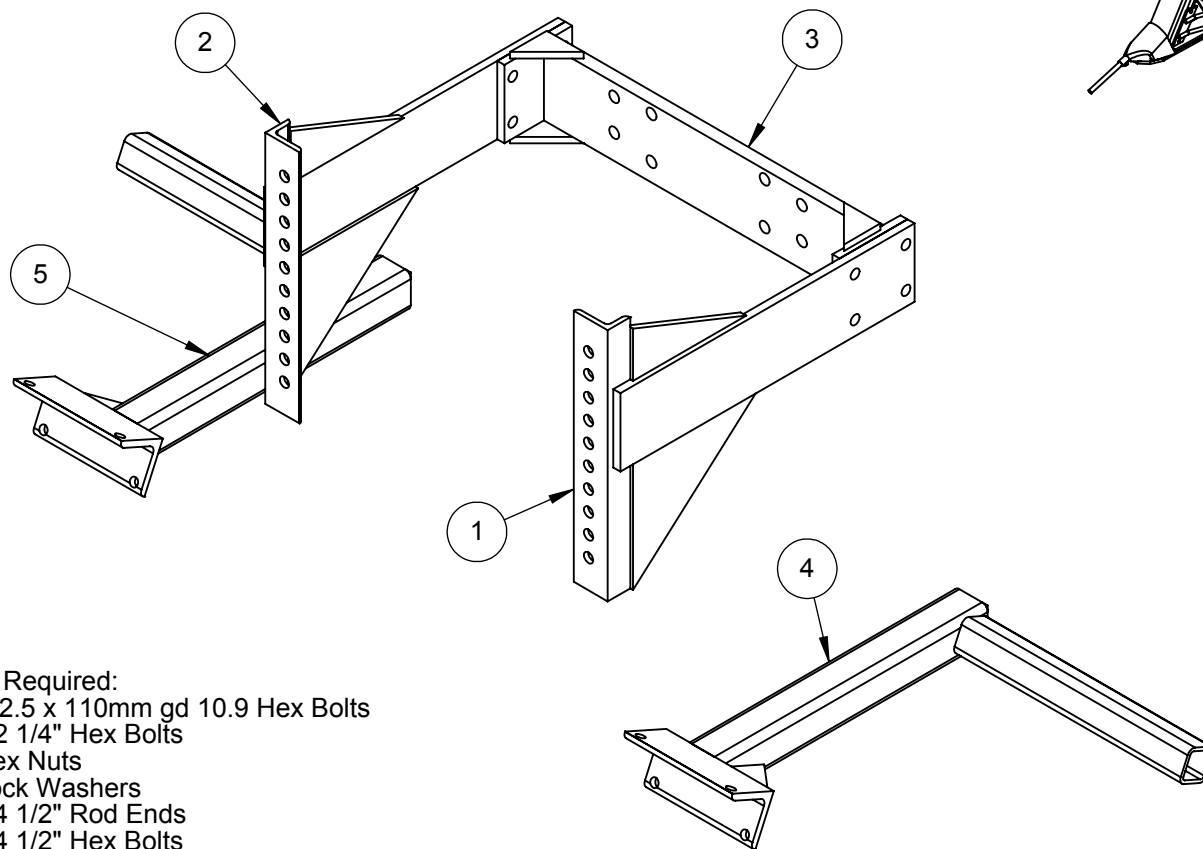
### Hardware Required:

- 8 - 3/4" x 3" Hex Bolts
- 8 - 3/4" Hex Nuts
- 8 - 3/4" Lock Washers
- 8 - 5/8" x 4 1/2" Rod Ends
- 8 - 5/8" x 4 1/2" Hex Bolts
- 16 - 5/8" Hex Nuts
- 16 - 5/8" Lock Washers
- (8020 & 8030)
- 6 - M20 x 2.5 x 180mm Hex bolts gd 10.9
- (8000 & 8010)
- 4 - M20 x 2.5 x 110mm Hex bolts gd 10.9

**Kit # 405055**

ITEM NO.	PART NUMBER	DESCRIPTION	QTY.
1	200476	RH WMB Assembly	1
2	200477	LH WMB Assembly	1
3	200514	WMB Base Assembly	1
4	200517-B	LH 25" Extension Arm Assembly	1
5	200516-B	RH 25" Extension Arm Assembly	1

## Agco DT-a Weight Mount System With Weights Left On



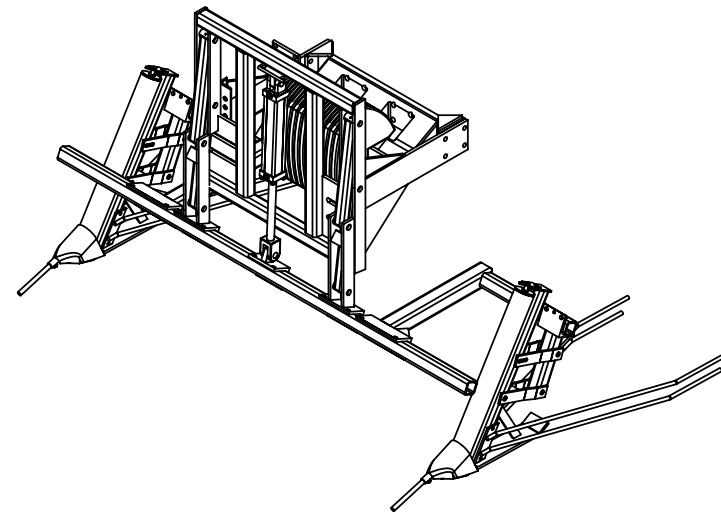
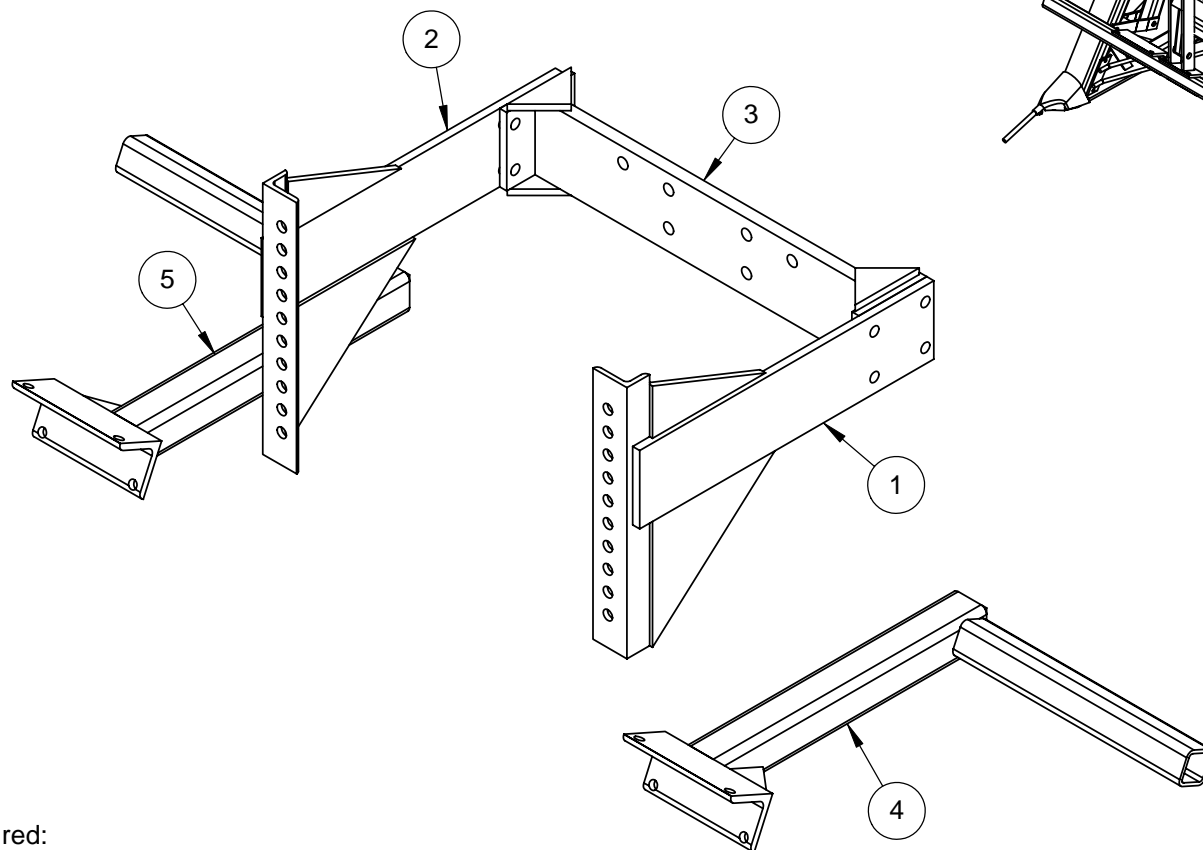
### Hardware Required:

- 8 - M20 x 2.5 x 110mm gd 10.9 Hex Bolts
- 8 - 3/4" x 2 1/4" Hex Bolts
- 8 - 3/4" Hex Nuts
- 8 - 3/4" Lock Washers
- 4 - 5/8" x 4 1/2" Rod Ends
- 4 - 5/8" x 4 1/2" Hex Bolts
- 8 - 5/8" Hex Nuts
- 8 - 5/8" Lock Washers

**Kit # 405057**

ITEM NO.	PART NUMBER	DESCRIPTION	Parts/QTY.
1	200476	RH WMB Assembly	1
2	200477	LH WMB Assembly	1
3	200555	Case IH Puma WMB Base Assembly	1
4	200517-B	LH 25" Extension Arm Assembly	1
5	200516-B	RH 25" Extension Arm Assembly	1

## Case IH Puma 180, 195 & 210 Weight Mount System With Weights Left On Tractor With Removable Front Weight Mount Base



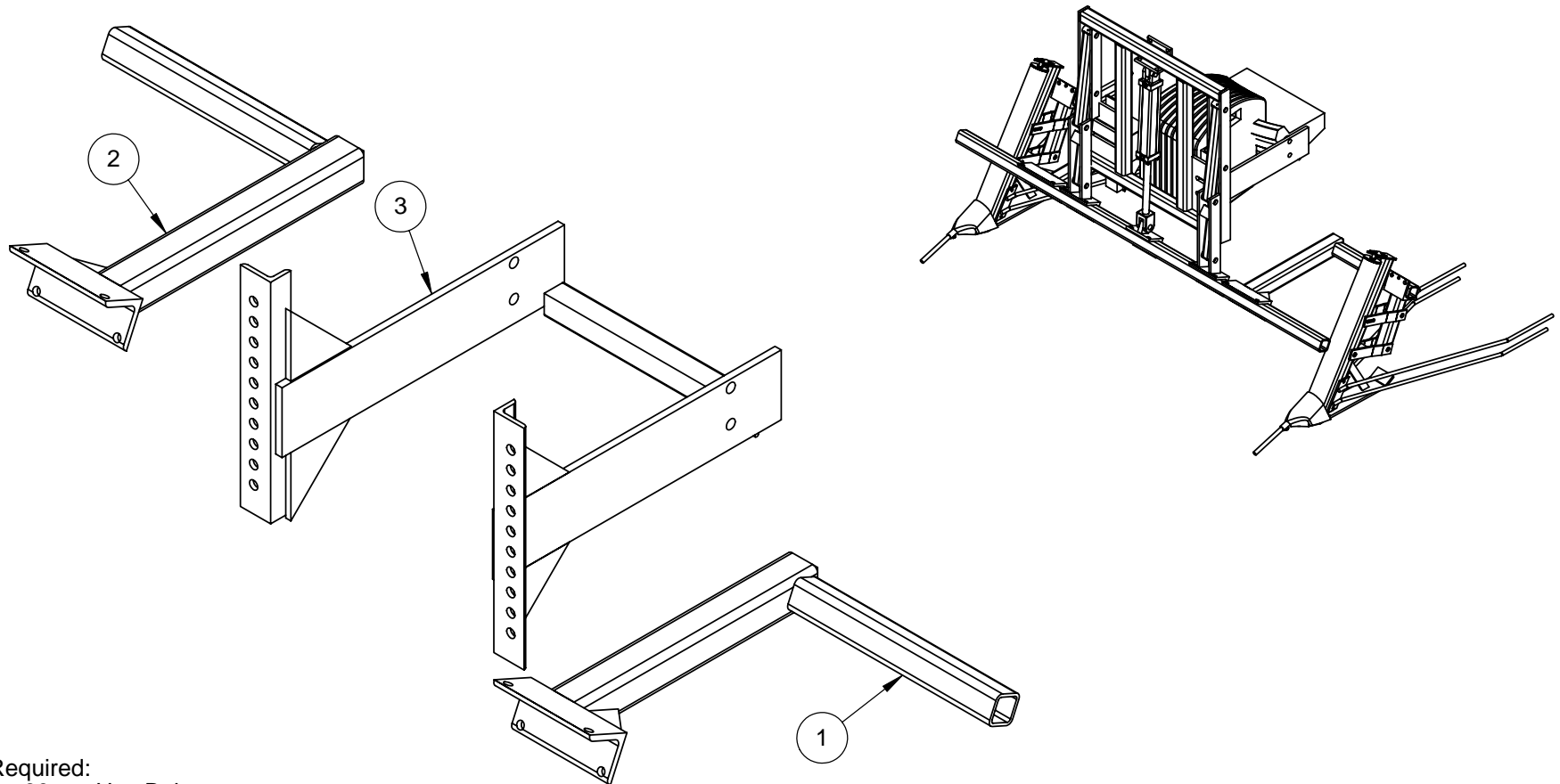
### Hardware Required:

- 8 - 3/4" x 2 1/4" Hex Bolts
- 8 - 3/4" Hex Nuts
- 8 - 3/4" Lock Washers
- 4 - 5/8" x 4 1/2" Rod Ends
- 4 - 5/8" x 4 1/2" Hex Bolts
- 8 - 5/8" Hex Nuts
- 8 - 5/8" Lock Washers

**Kit # 405058**

ITEM NO.	PART NUMBER	DESCRIPTION	Parts/QTY.
1	200517-B	LH 25" Extension Arm Assembly	1
2	200516-B	RH 25" Extension Arm Assembly	1
3	200562	Front Weight Mount Assembly	1

## New Holland T7000 Series With Std Axle Weight Mount System With Weights Left On



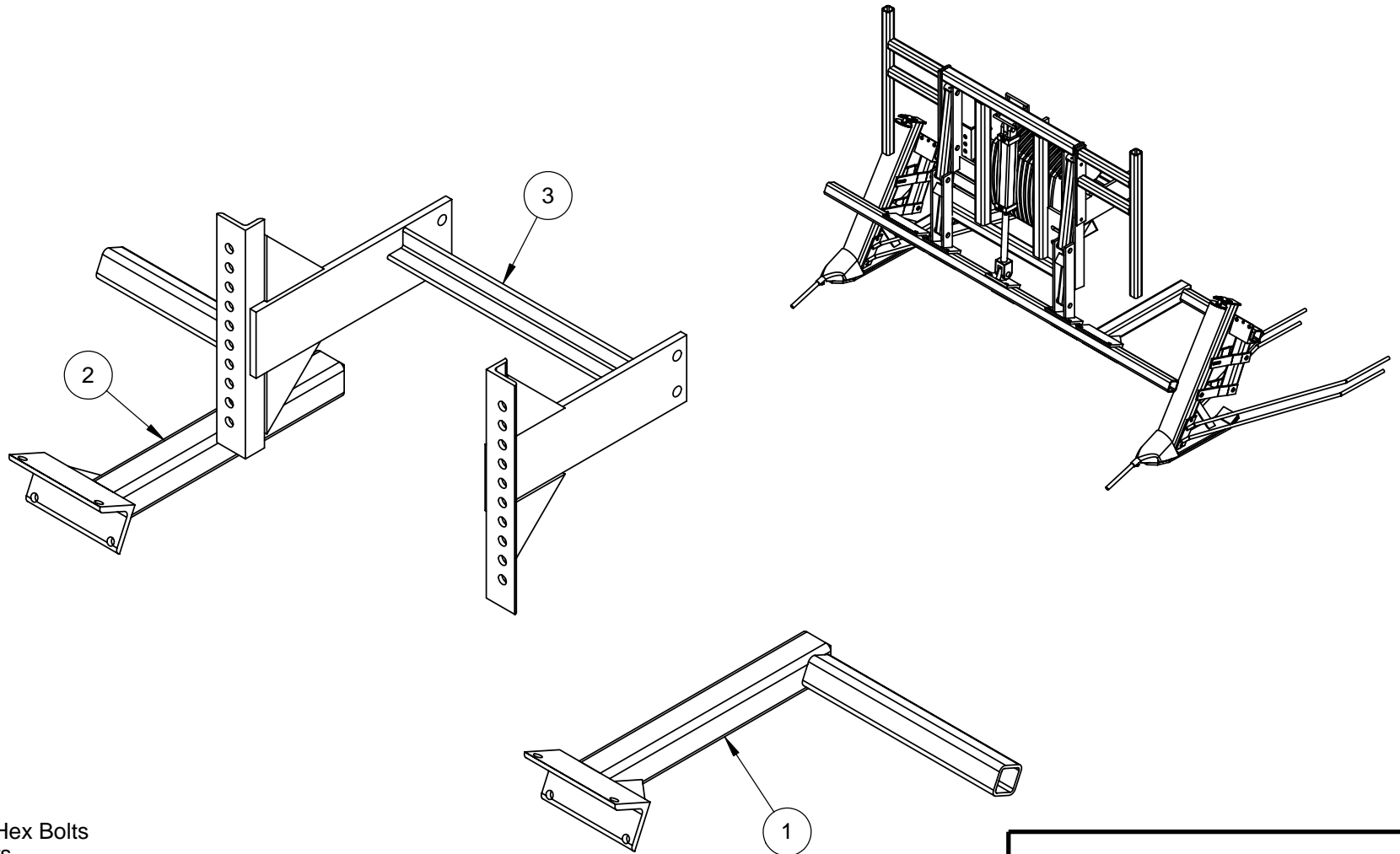
### Hardware Required:

- 4 - M20 2.5 x 60mm Hex Bolts
- 4 - M20 Lock Washers
- 4 - 5/8" x 4 1/2" Rod Ends
- 4 - 5/8" x 4 1/2" Hex Bolts
- 8 - 5/8" Hex Nuts
- 8 - 5/8" Lock Washers

**Kit # 405060**

ITEM NO.	PART NUMBER	DESCRIPTION	405061- 2/QTY.
1	200517-B	LH 25" Extension Arm Assembly	1
2	200516-B	RH 25" Extension Arm Assembly	1
3	200564	Front Weight Mount Assembly	1

## Case IH Puma 180, 195 & 210 Weight Mount System With Weights Left On Tractor Without Removable Front Weight Mount Base

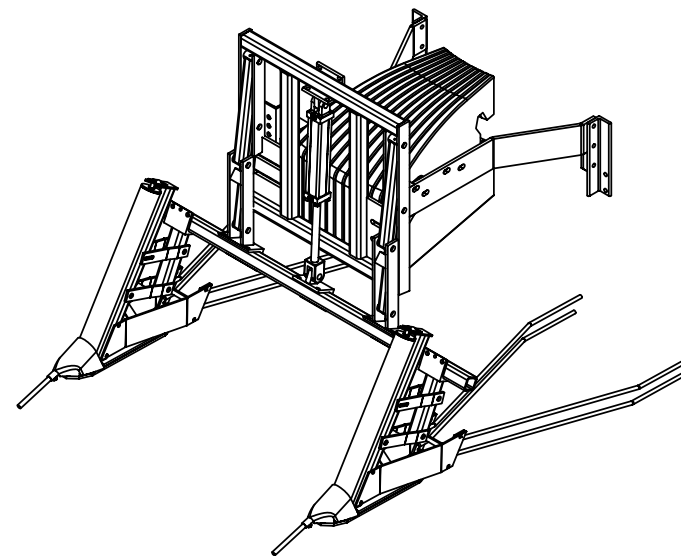
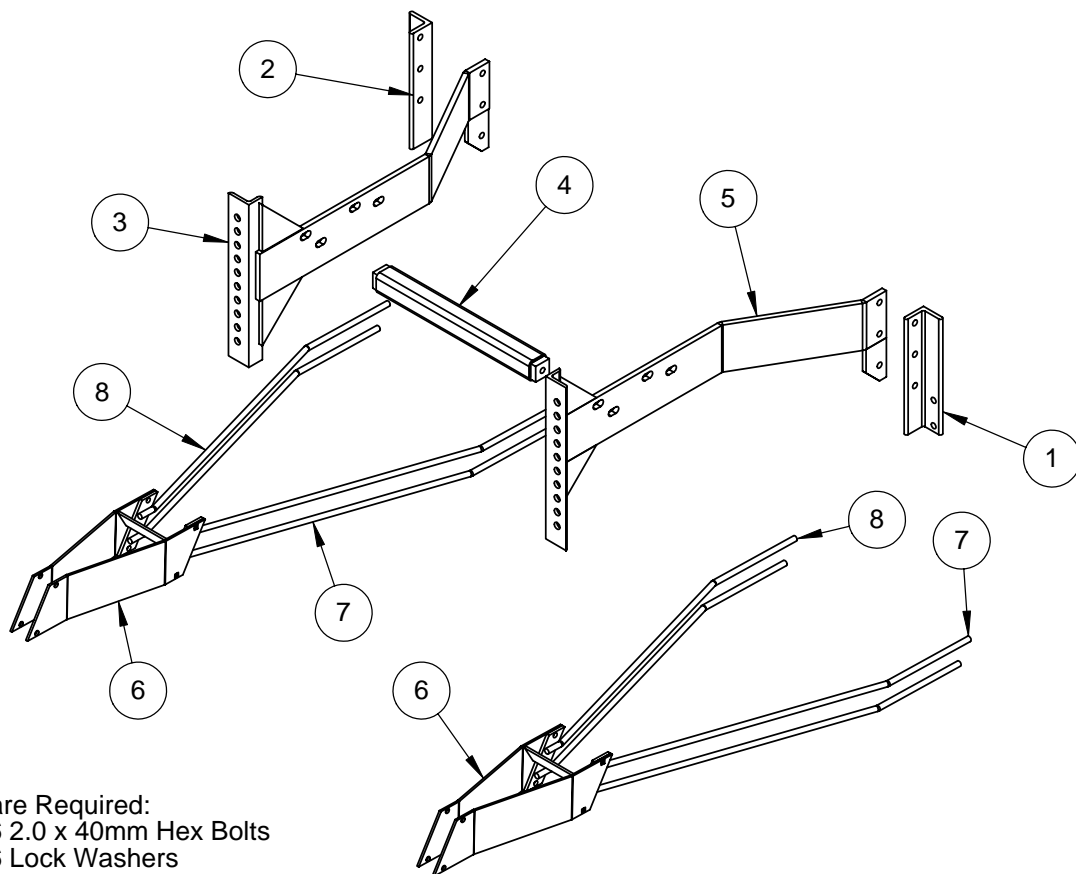


Hardware Required:  
 4 - M20 2.5 x 60mm Hex Bolts  
 4 - M20 Lock Washers  
 4 - 5/8" x 4 1/2" Rod Ends  
 4 - 5/8" x 4 1/2" Hex Bolts  
 8 - 5/8" Hex Nuts  
 8 - 5/8" Lock Washers

**Kit # 405061**

ITEM NO.	PART NUMBER	DESCRIPTION	QTY.
1	200575	New Holland LH Axle Mounting Angle	1
2	200574	New Holland RH Axle Mounting Angle	1
3	200576	New Holland RH Side Mounting Assembly 30" Rows	1
4	200572	New Holland Cross Tube Assembly 30" Rows	1
5	200577	New Holland LH Side Mounting Assembly 30" Rows	1
6	300110-C	Divider Rod Extension Plate Assembly	2
7	300111	LH Divider Rod (Reversed Plate)	2
8	300112	RH Divider Rod (Reversed Plate)	2

## New Holland TG & T8000 Series With Super Steer Axle With Weights Left On 30" Rows



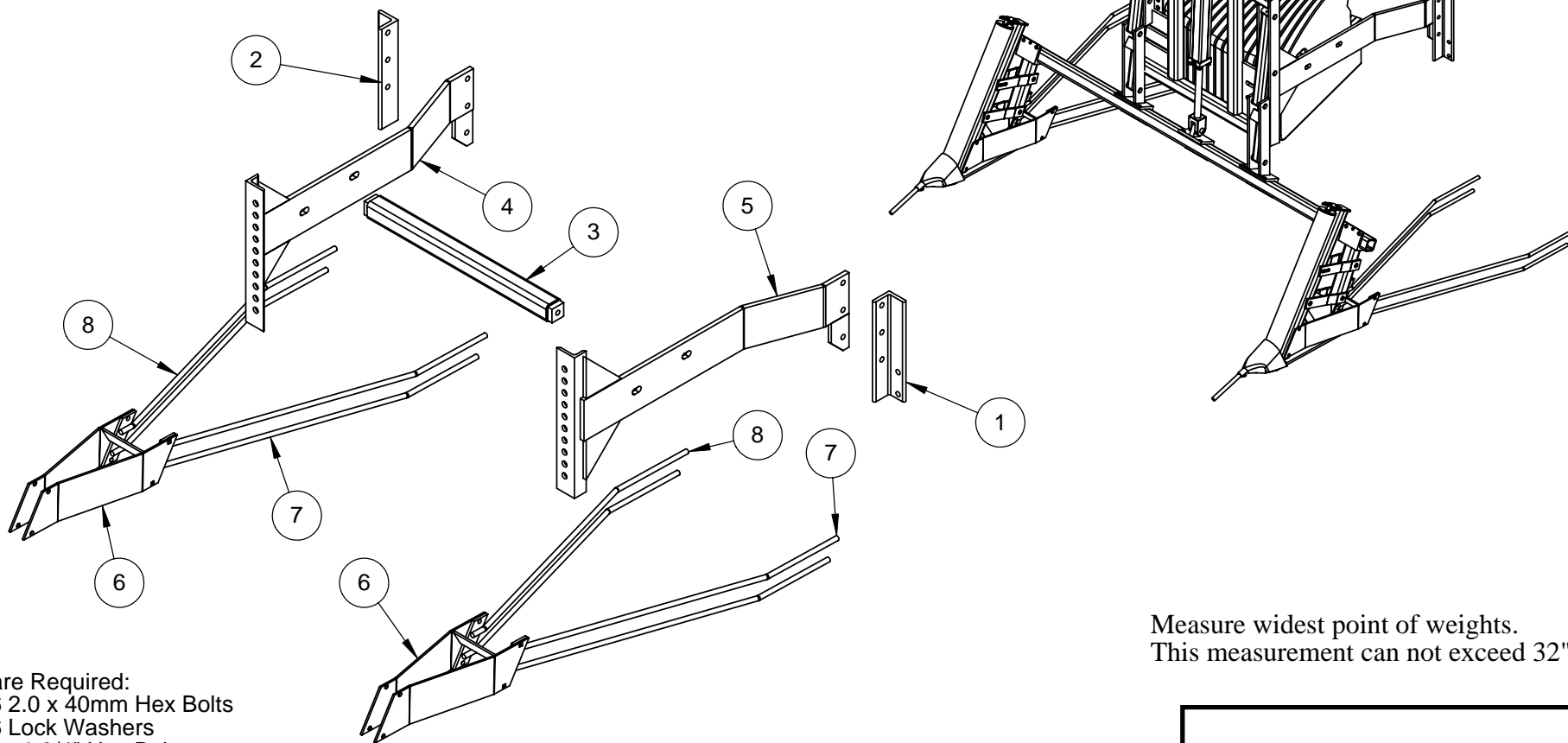
Hardware Required:  
 4 - M16 2.0 x 40mm Hex Bolts  
 4 - M16 Lock Washers  
 2 - 3/4" x 1 3/4" Hex Bolts  
 2 - 3/4" Lock Washers  
 2 - 3/4" Flat Washers  
 6 - 5/8" x 2" Hex Bolts  
 6 - 5/8" Hex Nuts  
 6 - 5/8" Lock Washers

Measure widest point of weights.  
 This measurement can not exceed 24".

**Kit # 405064**

ITEM NO.	PART NUMBER	DESCRIPTION	QTY.
1	200575	New Holland LH Axle Mounting Angle	1
2	200574	New Holland RH Axle Mounting Angle	1
3	200581	New Holland Cross Tube Assembly 22" Rows	1
4	200583	New Holland RH Side Mounting Assembly 22" Rows	1
5	200584	New Holland LH Side Mounting Assembly 22" Rows	1
6	300110-C	Divider Rod Extension Plate Assembly	2
7	300111	LH Divider Rod (Reversed Plate)	2
8	300112	RH Divider Rod (Reversed Plate)	2

## New Holland TG & T8000 Series With Super Steer Axle With Weights Left On 22" Rows



Hardware Required:  
 4 - M16 2.0 x 40mm Hex Bolts  
 4 - M16 Lock Washers  
 2 - 3/4" x 1 3/4" Hex Bolts  
 2 - 3/4" Lock Washers  
 2 - 3/4" Flat Washers  
 6 - 5/8" x 2" Hex Bolts  
 6 - 5/8" Hex Nuts  
 6 - 5/8" Lock Washers

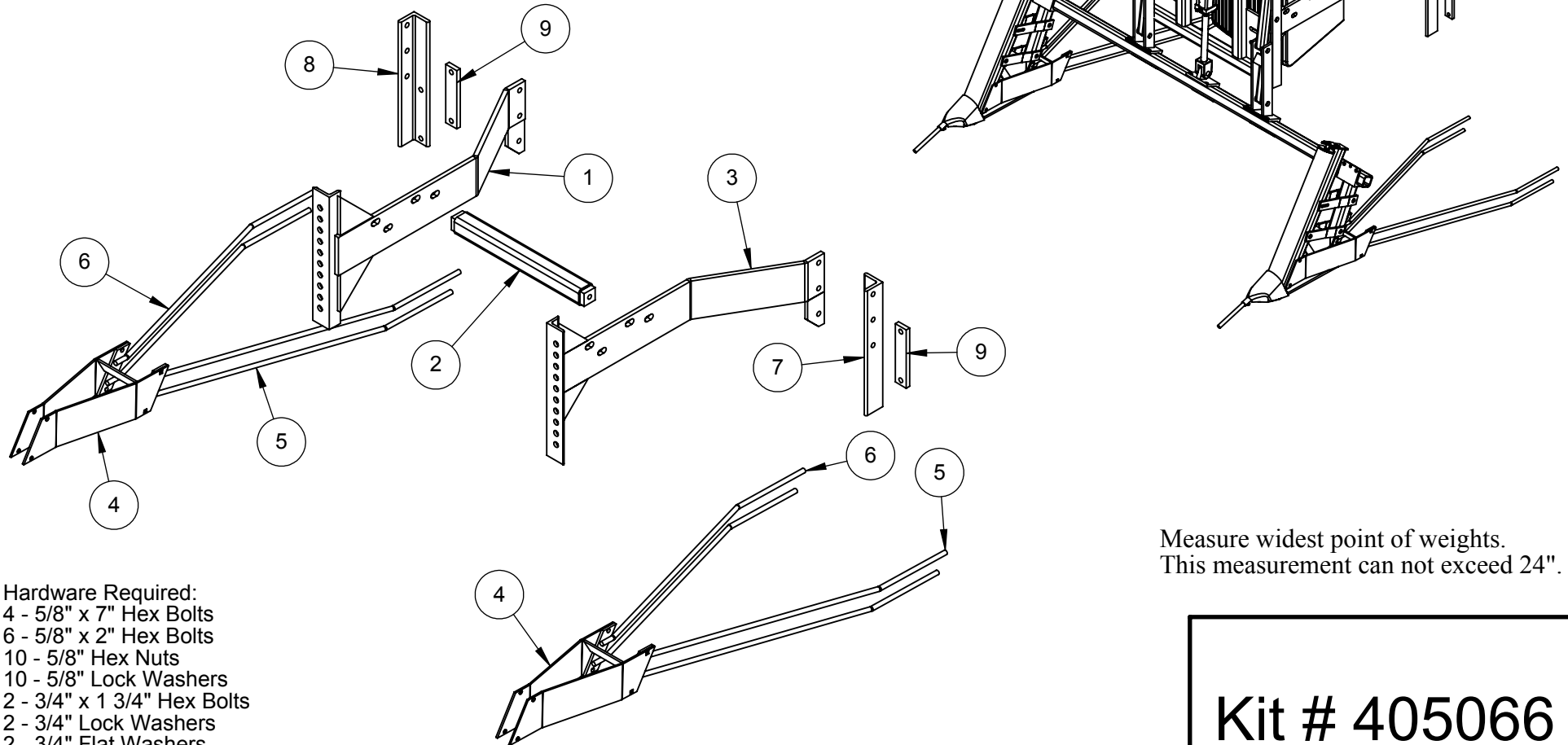
Measure widest point of weights.  
 This measurement can not exceed 32".

**Kit # 405065**



ITEM NO.	PART NUMBER	DESCRIPTION	QTY.
1	200576	New Holland RH Side Mounting Assembly 30" Rows	1
2	200572	New Holland Cross Tube Assembly 30" Rows	1
3	200577	New Holland LH Side Mounting Assembly 30" Rows	1
4	300110-C	Divider Rod Extension Plate Assembly	2
5	300111	LH Divider Rod (Reversed Plate)	2
6	300112	RH Divider Rod (Reversed Plate)	2
7	200588	Genesis RH Axle Mounting Angle	1
8	200587	Genesis LH Axle Mounting Angle	1
9	200589	Genesis Axle Clamp Plate	2

## New Holland Genesis Series With Super Steer Axle With Weights Left On



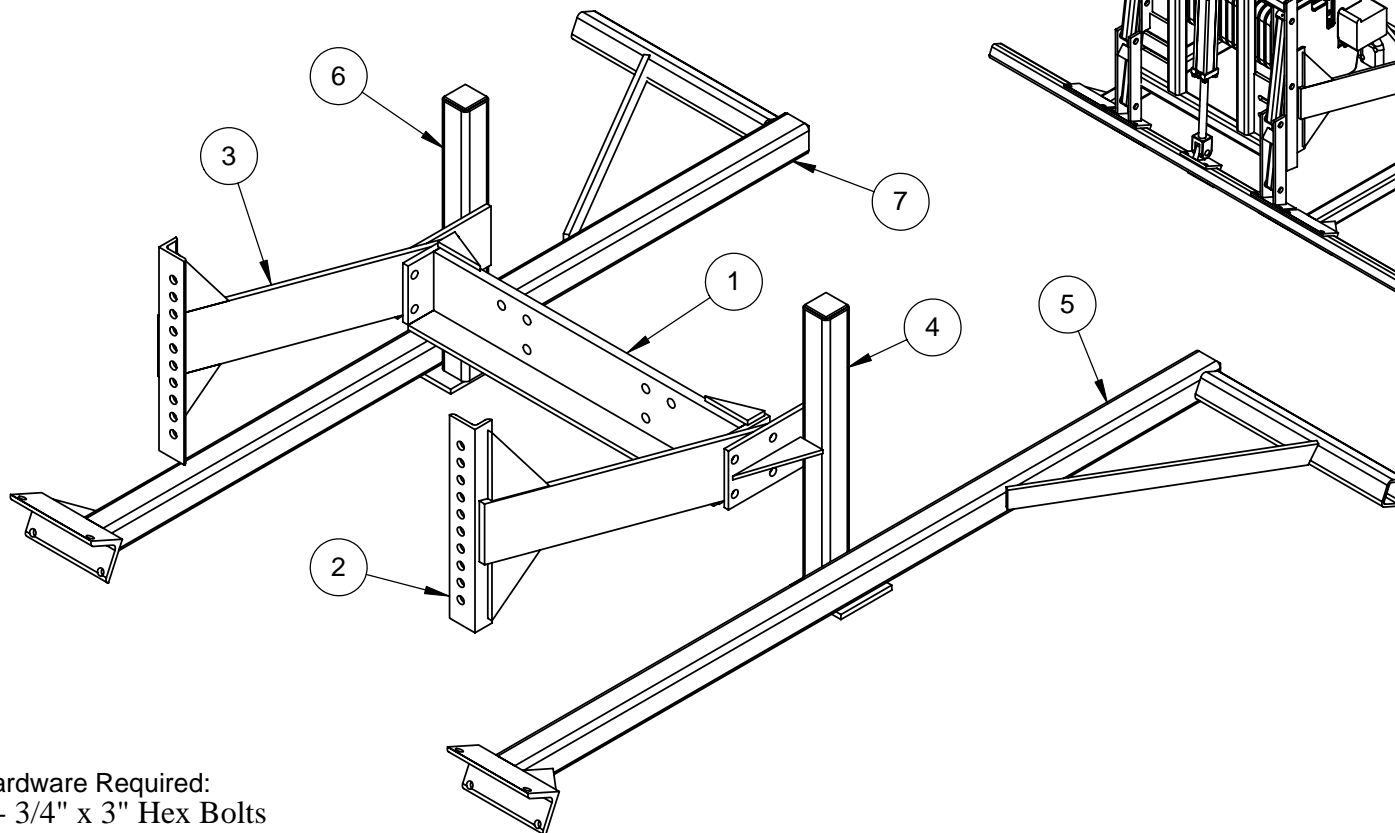
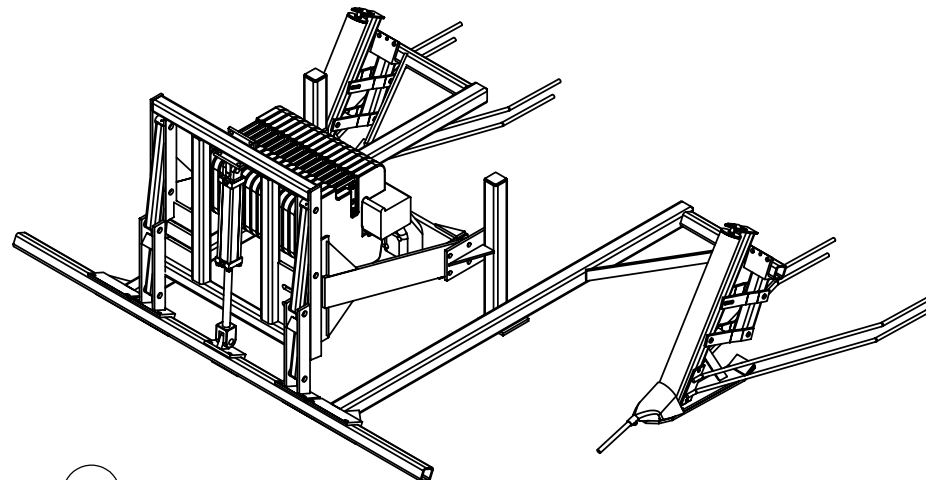
Hardware Required:  
 4 - 5/8" x 7" Hex Bolts  
 6 - 5/8" x 2" Hex Bolts  
 10 - 5/8" Hex Nuts  
 10 - 5/8" Lock Washers  
 2 - 3/4" x 1 3/4" Hex Bolts  
 2 - 3/4" Lock Washers  
 2 - 3/4" Flat Washers

Measure widest point of weights.  
 This measurement can not exceed 24".

**Kit # 405066**

ITEM NO.	PART NUMBER	DESCRIPTION	QTY.
1	200455-A	WMB Main Mounting Base	1
2	200461	LH WMB Assembly	1
3	200460	RH WMB Assembly	1
4	200614	LH Divider Cradle Assembly	1
5	200611	LH Divider Lift Arm Assembly Tracks @ 88"	1
6	200613	RH Divider Cradle Assembly	1
7	200610	RH Divider Lift Arm Assembly Tracks @ 88"	1

## John Deere Track 8 RT Series Weight Mount System With Weights Left On Tracks at 88"



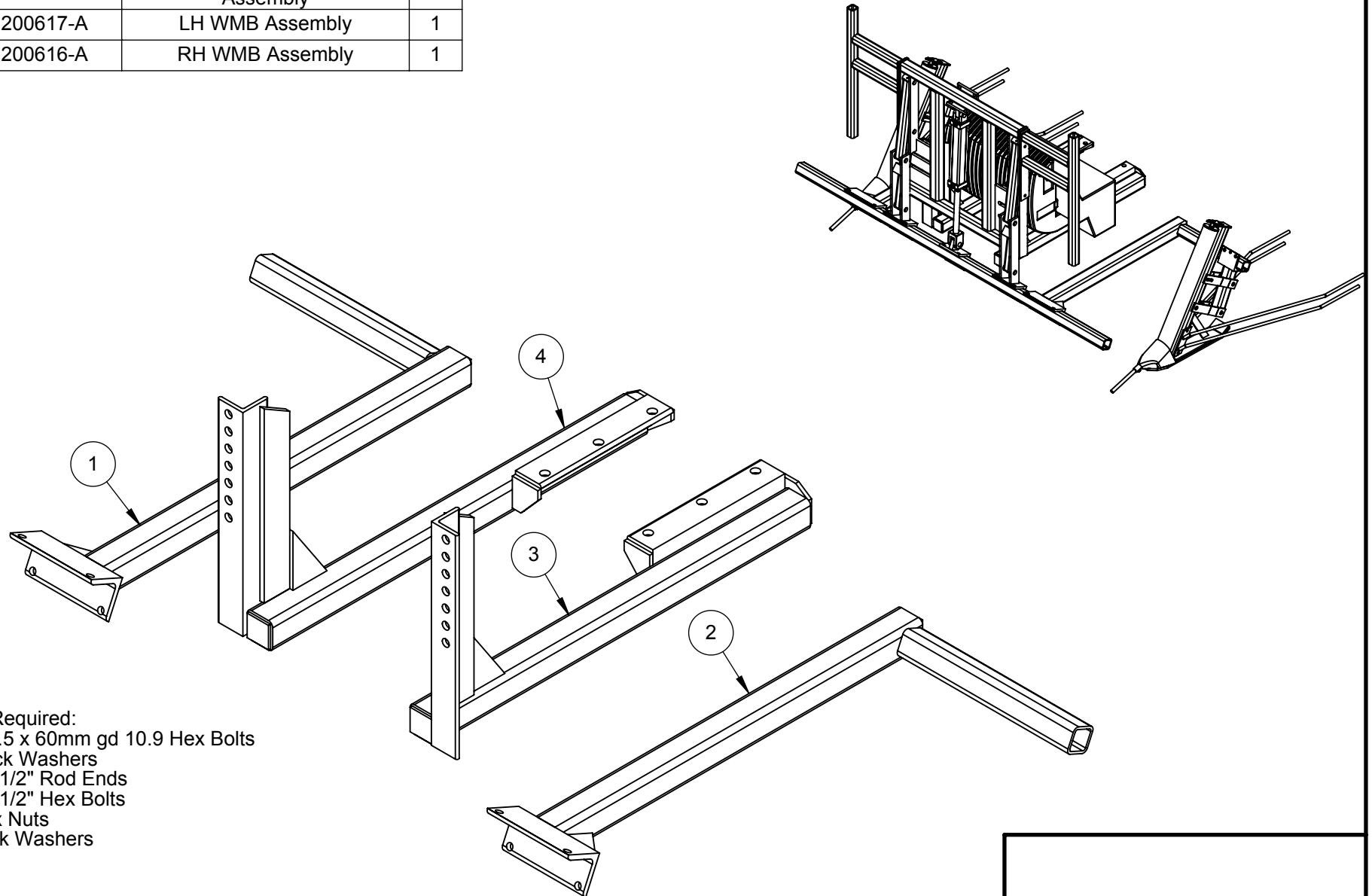
### Hardware Required:

- 8 - 3/4" x 3" Hex Bolts
- 8 - 3/4" Hex Nuts
- 8 - 3/4" Lock Washers
- 4 - 5/8" x 4 1/2" Rod Ends
- 4 - 5/8" x 4 1/2" Hex Bolts
- 8 - 5/8" Hex Nuts
- 8 - 5/8" Lock Washers
- 6 - M20 x 2.5 x 180mm Hex bolts gd 10.9

**Kit # 405067**

ITEM NO.	PART NUMBER	DESCRIPTION	QTY.
1	200449-A	RH 44" Extension Arm Assembly	1
2	200450-A	LH 44" Extension Arm Assembly	1
3	200617-A	LH WMB Assembly	1
4	200616-A	RH WMB Assembly	1

## Case IH MX Magnum Tier 4 Weight Mount System With Weights Left On



### Hardware Required:

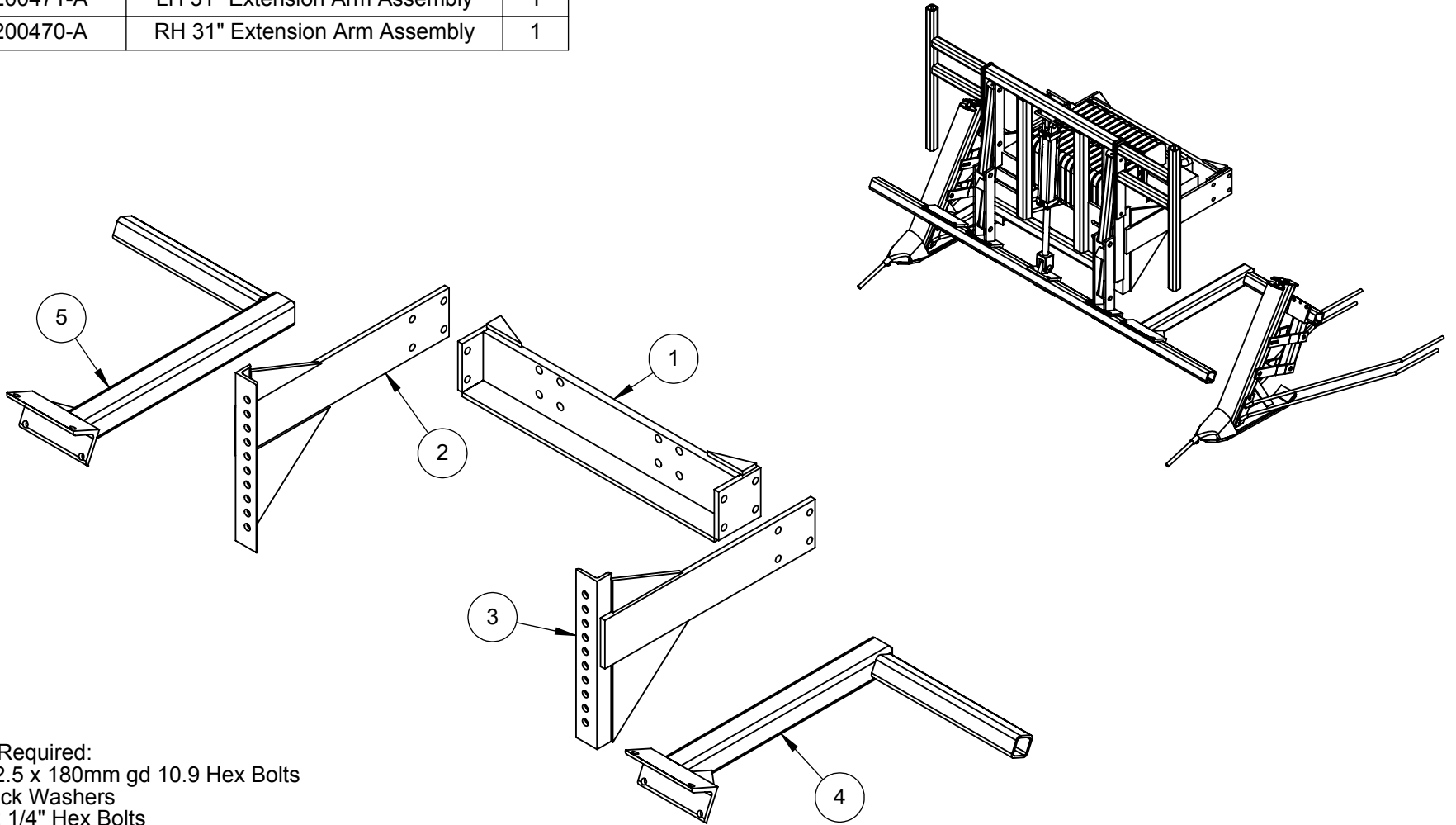
- 6 - M20 x 2.5 x 60mm gd 10.9 Hex Bolts
- 6 - M20 Lock Washers
- 4 - 5/8" x 4 1/2" Rod Ends
- 4 - 5/8" x 4 1/2" Hex Bolts
- 8 - 5/8" Hex Nuts
- 8 - 5/8" Lock Washers

Tractor Models: 235, 260, 290, 315, 340

**Kit # 405068**

ITEM NO.	PART NUMBER	DESCRIPTION	QTY.
1	200633	WMB Main Mounting Base	1
2	200635	RH WMB Assembly 30 1/2"	1
3	200636	LH WMB Assembly 30 1/2"	1
4	200471-A	LH 31" Extension Arm Assembly	1
5	200470-A	RH 31" Extension Arm Assembly	1

## John Deere 7R Series Weight Mount System With Weights Left On



### Hardware Required:

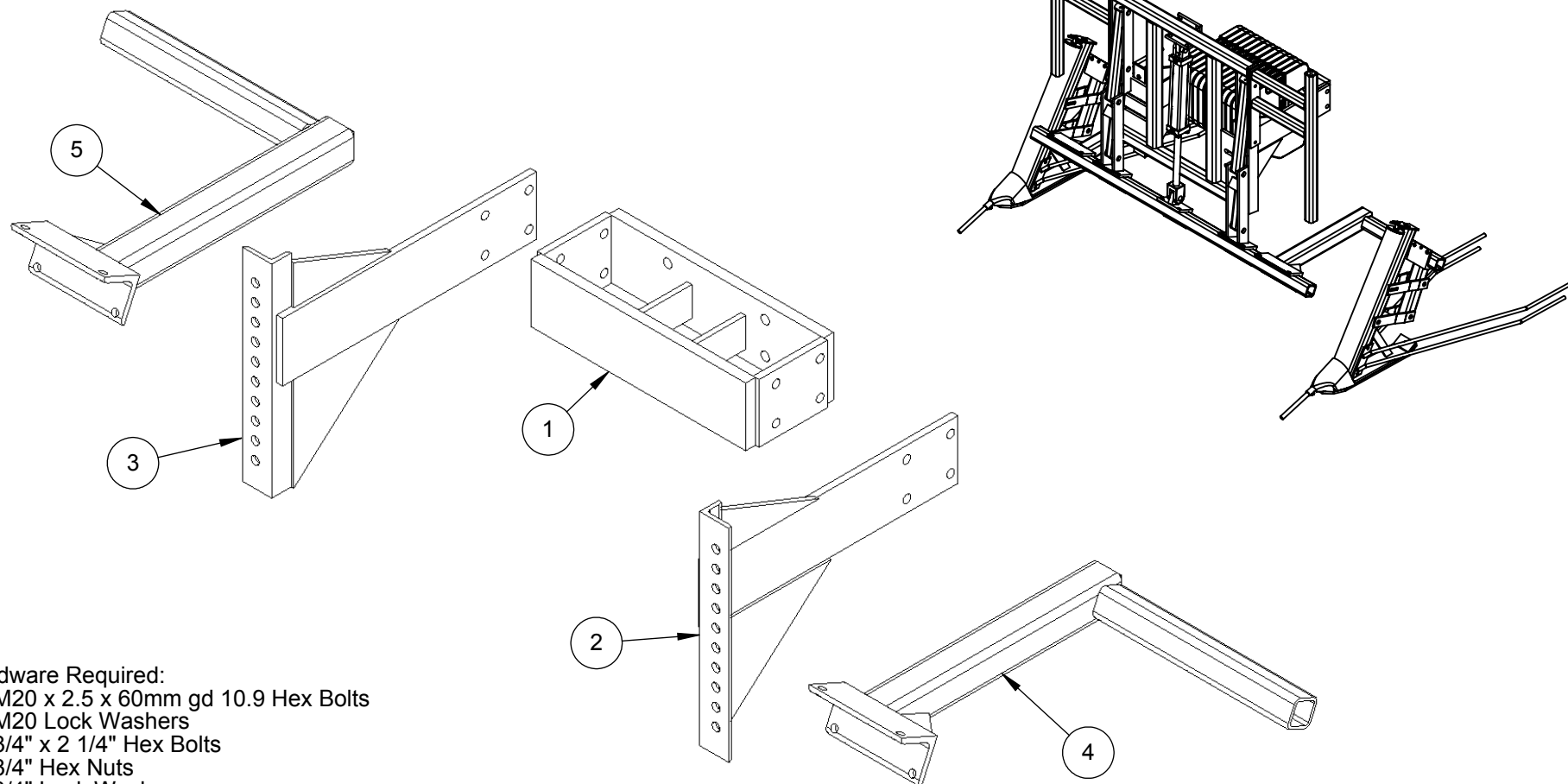
- 8 - M20 x 2.5 x 180mm gd 10.9 Hex Bolts
- 8 - M20 Lock Washers
- 8 - 3/4" x 2 1/4" Hex Bolts
- 8 - 3/4" Hex Nuts
- 8 - 3/4" Lock Washers
- 4 - 5/8" x 4 1/2" Rod Ends
- 4 - 5/8" x 4 1/2" Hex Bolts
- 8 - 5/8" Hex Nuts
- 8 - 5/8" Lock Washers

Tractor Models: 7200R, 7215R, 7230R, 7260R, 7280R

**Kit # 405070**

ITEM NO.	PART NUMBER	DESCRIPTION	QTY.
1	200641	WMB Base Assembly	1
2	200477	LH WMB Assembly	1
3	200476	RH WMB Assembly	1
4	200517-B	LH 25" Extension Arm Assembly	1
5	200516-B	RH 25" Extension Arm Assembly	1

## John Deere 7020 - 7030 Small Frame Series With Weights Left On



### Hardware Required:

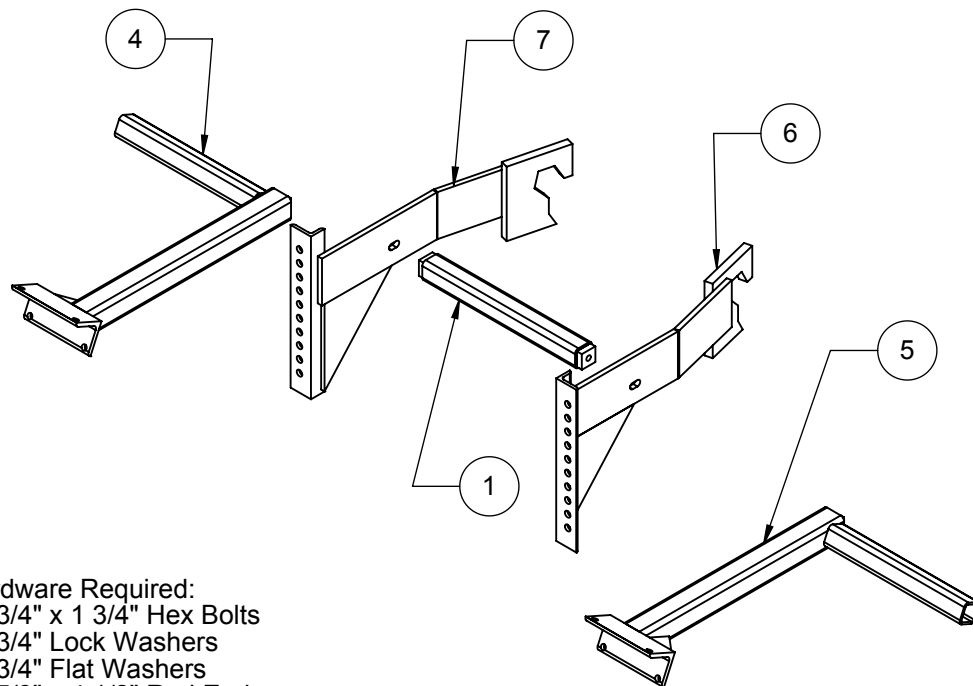
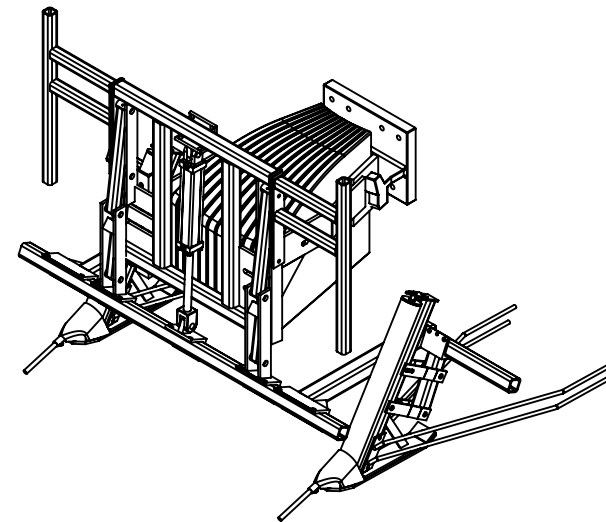
- 4 - M20 x 2.5 x 60mm gd 10.9 Hex Bolts
- 4 - M20 Lock Washers
- 8 - 3/4" x 2 1/4" Hex Bolts
- 8 - 3/4" Hex Nuts
- 8 - 3/4" Lock Washers
- 4 - 5/8" x 4 1/2" Rod Ends
- 4 - 5/8" x 4 1/2" Hex Bolts
- 8 - 5/8" Hex Nuts
- 8 - 5/8" Lock Washers

Tractor Models: 7220, 7230, 7420, 7430, 7520, 7530

**Kit # 405071**

ITEM NO.	PART NUMBER	DESCRIPTION	QTY.
1	200572	New Holland Cross Tube Assembly 30" Rows	1
4	200470-A	RH 31" Extension Arm Assembly	1
5	200471-A	LH 31" Extension Arm Assembly	1
6	200649-A	New Holland T8 LH Side Mounting Assembly	1
7	200650-A	New Holland T8 RH Side Mounting Assembly	1

## New Holland T8 Series With Weights Left On



Hardware Required:  
 2 - 3/4" x 1 3/4" Hex Bolts  
 2 - 3/4" Lock Washers  
 2 - 3/4" Flat Washers  
 4 - 5/8" x 4 1/2" Rod Ends  
 4 - 5/8" x 4 1/2" Hex Bolts  
 8 - 5/8" Hex Nuts  
 8 - 5/8" Lock Washers

Measure widest point of weights.  
 This measurement can not exceed 24".

Tractor Models: T8.275, T8.300,  
 T8.330, T8.360, T8.390

**Kit # 405072**