

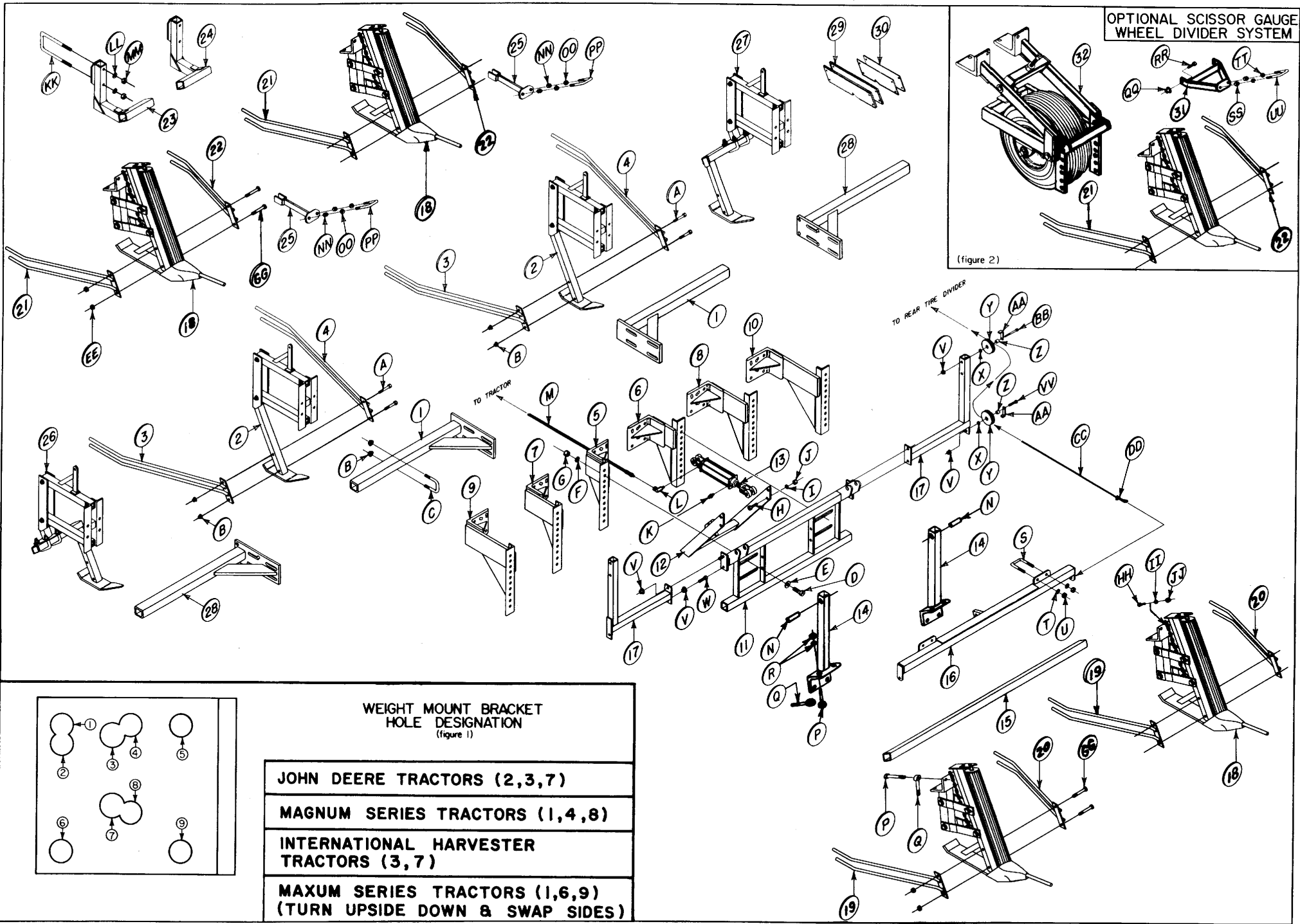
Divider Systems

Complete Divider System

Section 1

Model Years 1988 – 1996	2-5
Model Years 1997 – Present.....	6-8
Weight Mount Brackets & Rear Tire Divider Tractor Designations	9
Tractor Frame Fit List	10-11

Return to this page by clicking the upper right corner of any page in this section.



COMPLETE DIVIDER SYSTEM (1988–1996)

Parts List

<u>Item No.</u>	<u>Part No.</u>	<u>Qty</u>	<u>Description</u>
1.	200074	2	Divider Mount*
2.	300025	2	Rear Tire Divider—without divider rods
3.	300067	2	R.H. Divider Rod—long
4.	300066	2	L.H. Divider Rod—long
5.**	900596	1	R.H. 2WD—9" Weight Mount Bracket*
6.**	900597	1	L.H. 2WD—9" Weight Mount Bracket*
7.**	901158	Optional	R.H.—14" Midsize Weight Mount Bracket
8.**	901159	Optional	L.H.—14" Midsize Weight Mount Bracket
9.**	900598	Optional	R.H. 4WD—19" Weight Mount Bracket
10.**	900599	Optional	L.H. 4WD—19" Weight Mount Bracket
11.	200205	1	Front Mounting Base
12.	200210	1	Lower Ram Mount
13.	103027	1	Hydraulic Cylinder
14.	200015	2	Lifting Arm
15.	200229	1	Divider Tube, 6-30 (200224—Divider Tube 8-22)
16.	200215	1	Upper Ram Mount, 6-30 (200214 Upper Ram Mnt 8-22)
17.	200268	2	Extension Arm 8-22, (200269 Extension Arm 6-30)
18.	300018	4	Front Tire - Outside Divider Assembly without rods
19.	300033	2	R.H. Divider Rod—Short
20.	300034	2	L.H. Divider Rod—Short
21.	300067	2	R.H. Outside Divider Rod—Long
22.	300066	2	L.H. Outside Divider Rod—Long
23.	200289	1	R.H. Outside Mount Bracket—Standard
24.	200288	1	L.H. Outside Mount Bracket—Standard
25.	900506	2	Outside Divider Brace
26.	200051	Optional	R.H. Rear Tire Divider—John Deere 7800 with rods
27.	200050	Optional	L.H. Rear Tire Divider—John Deere 7800 with rods
28.	200074	Optional	Divider Mount—John Deere 7800
29.	300151	Optional	Extension Plate—Long 13.75" HC to HC
30.	301150	Optional	Extension Plate—Short 9.75" HC to HC
31.	905245	Optional	Scissor Gauge Wheel Divider Brace
32.	905240	Optional	Scissor Gauge Wheel—Complete Assembly
Not Shown	300000		Front Tire Divider—Complete Assembly, short rods
Not Shown	300022		Outside Divider—Complete Assembly, long rods
Not Shown	300050		Rear Tire Divider—Complete Assembly, with rods

- Mounting hardware not included

** For most tractor types not listed, weight mount brackets can be provided on a built-to-order basis. Contact Pickett Equipment for availability and lead-time.

COMPLETE DIVIDER SYSTEM (1988–1996)

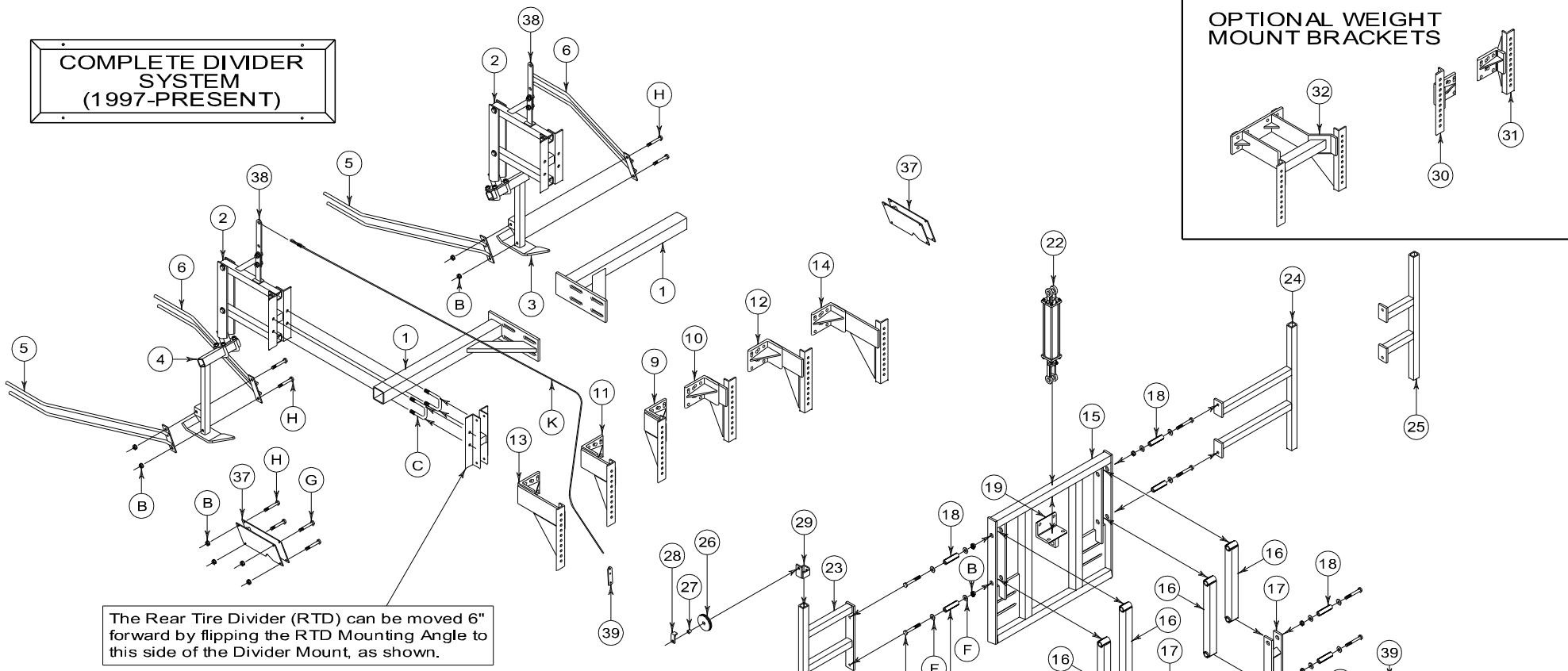
Hardware List

<u>Item No.</u>	<u>Part No.</u>	<u>Qty</u>	<u>Description</u>
A.		4	1/2" x 3 1/2" NC Hex Bolt–Rear Tire Divider
B.		12	1/2" NC Whiz Nuts–Rear Tire Divider
C.	121005	4	U-Bolt, Type F–Rear Tire Divider
D.		4	3/4" x 2 1/2" NC Hex Bolt–Front Mounting Base
E.		4	3/4" Flat Washer–Front Mounting Base
F.		4	3/4" Lock Washer–Front Mounting Base
G.		4	3/4" NC Hex Nut–Front Mounting Base
H.		4	5/8" x 2" NC Hex Bolt–Lower Ram Mount
I.		4	5/8" Lock Washer–Lower Ram Mount
J.		4	5/8" NC Hex Nut–Lower Ram Mount
K.	101152/101153	1	Breather, 1/4"–Hydraulic Ram
L.	101150	1	Hydraulic Fitting (6901-6-8) Hydraulic Ram
M.	108017	1	Hydraulic Hose–Hydraulic Ram
N.	200072	2	Lifting Arm Bushing–Lifting Arm
O.	Not Shown	2	1/2" x 4 1/2" NC Hex Bolt–Lifting Arm Bushing
P.		8	5/8" x 4 1/2" NC Hex Bolt–Divider Tube, Grade 8
Q.	118026	8	5/8" x 4 1/2" NC Eye Bolt–Divider Tube
R.		16	5/8" NC Hex Nuts & Lock Washers–Divider Tube
S.	121004	4	U-Bolt, Type E–Upper Ram Mount
T.		8	5/8" Lock Washer–Upper Ram Mount
U.		8	5/8" NC Hex Nuts–Upper Ram Mount
V.		8	1/2" NC Whiz Nuts–Extension Arms
W.		2	1/2" x 1 1/4" NC Hex Bolts–Extension Arms
X.		8	1/2" Flat Washers–Extension Arms
Y.	116010	4	Steel Pulleys–Extension Arms
Z.	200276	4	Pulley Bushings–Extension Arms
AA.	200267	4	Pulley Guard–Extension Arms
BB.		2	1/2" x 4" NC Hex Bolt–Extension Arms
CC.		2	1/4" Steel Cable–(12' Long) (Pulley System)
DD.		4	1/4" Cable Clamp–Pulley System
EE.		16	1/2" NC Whiz Nut–Front Tire Divider
FF.	Not Shown	8	1/2" x 4" NC Hex Bolts–Rear Divider Extension Plates
GG.		8	1/2" x 3 1/2" NC Hex Bolt–Front Tire Divider
HH.		4	3/8" x 1 1/2" NC Hex Bolt–Front Tire Divider
II.		4	3/8" Flat Washers - Front Tire Divider
JJ.		4	3/8" Whiz Nuts–Front Tire Divider
KK.	121001	2	U-Bolt, Type B–Outside Divider Mount
LL.		4	3/4" Lock Washer–Outside Divider Mount
MM.		4	3/4" NC Hex Nut–Outside Divider Mount
NN.		4	5/8" NC Hex Nut–Outside Divider Brace

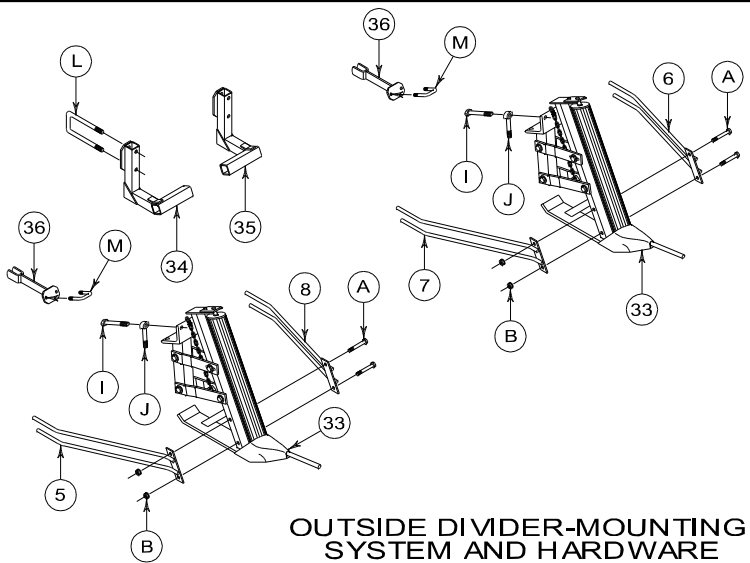
COMPLETE DIVIDER SYSTEM (1988–1996)**Hardware List**

<u>Item No.</u>	<u>Part No.</u>	<u>Qty</u>	<u>Description</u>
OO.		4	5/8" Lock Washer–Outside Divider Brace
PP.	121004	2	U-Bolt, Type E–Outside Divider Brace
QQ.		4	1/2" NC Whiz Nuts–Scissor Divider Brace
RR.		4	1/2" × 1 1/2" NC Hex Bolt–Scissor Divider Brace
SS.		4	5/8" NC Hex Nut–Scissor Divider Brace
TT.		4	5/8" Lock Washer–Scissor Divider Brace
UU.	121004	2	U-Bolt, Type E–Scissor Divider Brace
VV.		2	1/2" × 2 1/2" NC Hex Bolts–Extension Arms

**COMPLETE DIVIDER SYSTEM
(1997-PRESENT)**



OUTSIDE DIVIDER-MOUNTING SYSTEM AND HARDWARE



Complete Divider System (1997–Present)

Parts List

<u>Item No.</u>	<u>Part No.</u>	<u>Qty</u>	<u>Description</u>
1.	200074	2	Divider Mount (Rear Tire)
2.	200145	2	Offset Rear Tire Divider Upper Assembly
3.	200499-A	1	RH Offset Rear Tire Divider Lower Assembly (See section 4 for options)
4.	200500-A	1	LH Offset Rear Tire Divider Lower Assembly (See section 4 for options)
5.	300067	5	R.H. Divider Rod—Long (use items A, B) (optional G, H, B)
6.	300066	5	L.H. Divider Rod—Long (use items A, B) (optional G, H, B)
7.	300033	1	R.H. Divider Rod—Short (use items A, B)
8.	300034	1	L.H. Divider Rod—Short (use items A, B)
9.*	900596	1	R.H. 2WD–9" Weight Mount Bracket (Hardware not included)
10.*	900597	1	L.H. 2WD–9" Weight Mount Bracket (Hardware not included)
11.*	901158	**	R.H. 14" Mid-Size Weight Mount Bracket
12.*	901159	**	L.H. 14" Mid-Size Weight Mount Bracket
13.*	900598	**	R.H. 4WD–19" Weight Mount Bracket
14.*	900599	**	L.H. 4WD–19" Weight Mount Bracket
15.	200075	1	Front Mounting Base (use items: Q, R, S, T)
16.	200085	4	Pivot Arm (use items: 17, B, D, E, F)
17.	200080	2	Lifting Arm (use items: B, D, F, I, J)
18.	200072	8	Lifting Arm Bushing (use on items: 15 & 16)
19.	200090	1	Upper Ram Mount (use items: I, J)
20.	200090	1	Lower Ram Mount w/ 2 Dividers (200104, 200308 & 200311 w/ 3 dividers)
21.	200224	1	Divider Tube 8-22 (96") (200229 (6-30) 75"), (200270 (8-30 @ 120") 128")
22.	103083	1	Hydraulic Ram (2½" × 12")
23.	200570	2	Front Assist Arm (Standard replaces 200130)
24.	200094	**	Front Assist Arm (8-22) (1995–1996)
25.	200095	**	Front Assist Arm (6-30) (1995–1996)
26.	116010	4	Steel Pulley (use items: B, F, N)
27.	200276	4	Pulley Bushing (use items: B, F, N)
28.	200267	4	Pulley Guard (use items: B, F, N)
29.	200100	4	Pulley Slide Lock (use items: B, F, N, O, P)
30.	901199	**	R.H.–3" Weight Mount Bracket (John Deere)
31.	901200	**	L.H.–3" Weight Mount Bracket (John Deere)
32.	200040	**	Weight Mount Bracket (Genesis)
33.	300018	4	Front Tire/Outside Divider Assembly (no rods)
34.	200289	1	RH Outside Divider Mount (standard) (200300 RH C-Shank Type)
35.	200288	1	LH Outside Divider Mount (standard) (200301 LH C-Shank Type)
36.	900506	2	Outside Divider Brace
37.	300151	2	Extension Plate—Long (13.75" HC to HC)
38.	300028	2	Lift Cable Extension Plate
39.	200121	2	Divider Tube Cable Plate Pulley (use item: U)

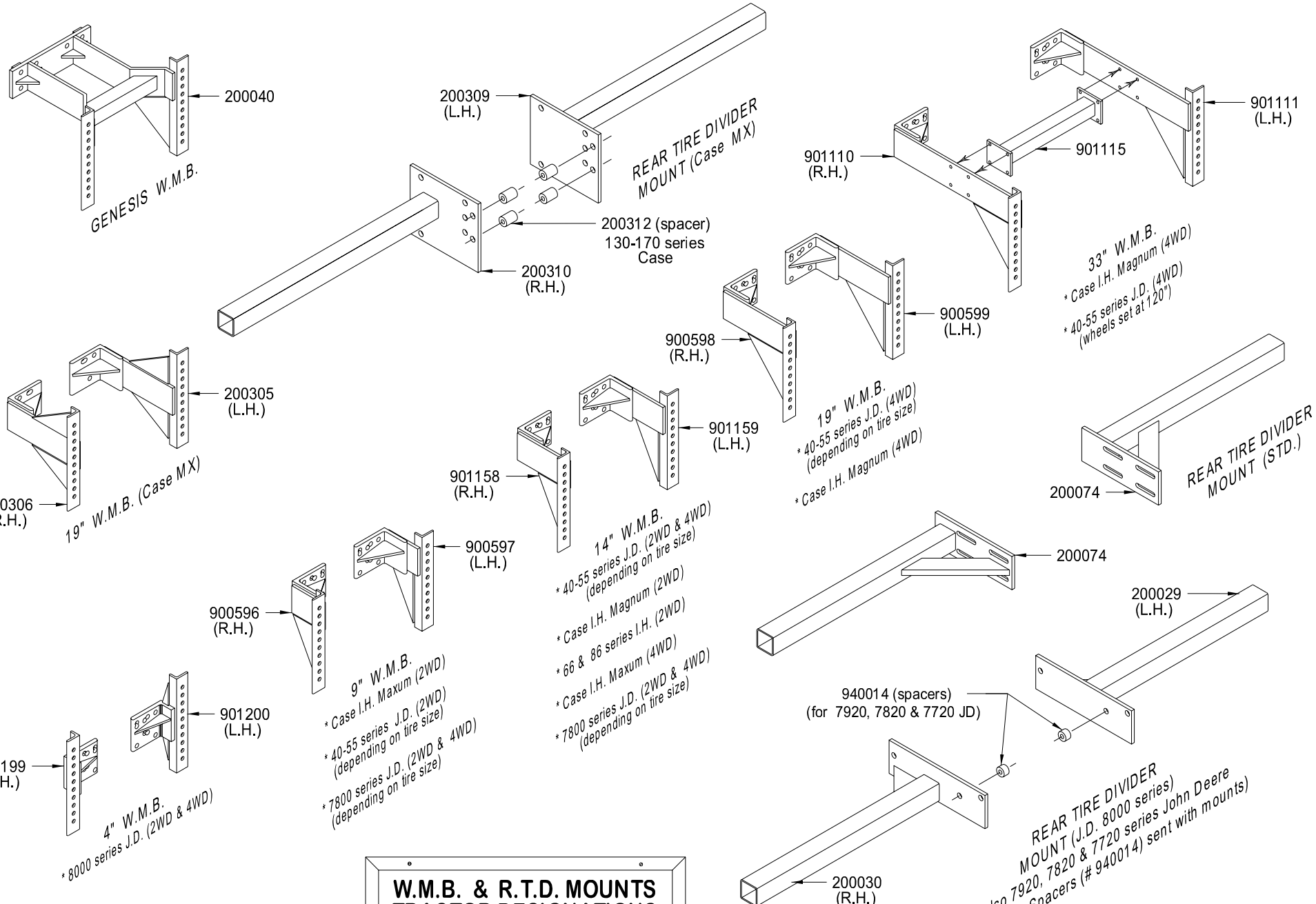
* For most tractor types not listed, weight mount brackets can be provided on a built-to-order basis. Contact Pickett Equipment for availability and lead-time.

** Optional Part

Complete Divider System (1997–Present)

Hardware List

<u>Item No.</u>	<u>Part No.</u>	<u>Qty</u>	<u>Description</u>
A.		8	½" × 3½" NC Hex Bolt
B.		24	½" NC Whiz Nuts
C.	121005	4	U-bolt, Type F (with ½" NC Whiz Nuts)
D.		4	½" × 4½" NC Hex Bolt
E.		4	½" × 5" NC Hex Bolt
F.		24	½" Flat washer
G.		4	½" × 3" NC Hex Bolt
H.		4	½" × 4" NC Hex Bolt
I.		16	5/8" × 4½" NC Hex Bolt Grade 8 (with Hex Nuts & LW)
J.	118026	16	5/8" × 4½" NC Eye Bolt (with Hex Nuts & LW)
K.	103043	2	¼" Steel Cable (17' Pulley System)
L.	121001	2	U-Bolt, Type B (with ¾" Hex Nuts & LW)
M.	121004	6	U-Bolt, Type E (with 5/8" Hex Nuts & LW)
N.	Not Shown	4	½" × 2" NC Carriage Bolt
O.	Not Shown	4	½" × 1½" NC Hex Bolt
P.	Not Shown	4	½" NC Jam Nut
Q.	Not Shown	4	¾" × 2½" NC Hex Bolt
R.	Not Shown	4	¾" Flat washer
S.	Not Shown	4	¾" Lock washer
T.	Not Shown	4	¾" NC Hex Nut
U.	121016	2	U-bolt Type N (with 3/8" NC Whiz Nuts)



**W.M.B. & R.T.D. MOUNTS
TRACTOR DESIGNATIONS**

BOLTS TO BOLT FRONT AND REAR TIRE DIVIDER SYSTEMS TO THE TRACTOR ARE NOT PROVIDED BY PICKETT EQUIPMENT.

W.M.B. = WEIGHT MOUNT BRACKET
R.T.D. = REAR TIRE DIVIDER

Mounts listed are for use with parallel lift front systems and offset rear tire dividers. Older systems may need additional parts to upgrade.

Tractor	Notes	Model	WLO Kit #	Standard Front Weight Mount	RTD Mount	RTD Lower
John Deere						
JD 4000 Series		4230, 4240, 4250, 4255, 4430, 4440, 4450, 4455, 4555, 4560, 4650, 4755, 4760, 4955, 4960	405044	901158, 901159	200074-A	200499-A, 200500-A
JD 6R Series	1,2,3	6140R, 6150R, 6170R, 6190R, 6170R	405071	901158, 901159	200074-A	200405-A, 200406-A
JD 7000, 10 Large Frame Series		7600, 7610, 7700, 7710, 7800, 7810	405045	901158, 901159	200074-A	200499-A, 200500-A
JD 7020, 30 Small Frame Series - 22" Rows		7220, 7230, 7420, 7430, 7520, 7530	405071	901158, 901159	200074-A	200405-A, 200406-A
JD 7020, 30 Small Frame Series - 30" Rows	1, 3	7220, 7230, 7420, 7430, 7520, 7530	405071	901158, 901159	200074-A	200405-A, 200406-A
JD 7020, 30 Large Frame Series	3	7720, 7730, 7820, 7830, 7920, 7930	405046	901158, 901159, 300110, 300111, 300112	200029-D, 200030-E, 2-940507	200499-A, 200500-A
JD 7R Series - 22" Rows	2	7200R, 7215R, 7230R, 7250R, 7260R, 7280R, 7290R, 7310R	405070	901158, 901159, 300110, 300111, 300112	200638-A	200499-A, 200500-A
JD 7R Series - 30" Rows	1, 3	7200R, 7215R, 7230R, 7250R, 7260R, 7280R, 7290R, 7310R	405070	901158, 901159, 300110, 300111, 300112	200638-A	200630, 200631
JD 8000, 10 Series		8100, 8110, 8200, 8210, 8300, 8310, 8400, 8410	405047	901199-A, 901200-A	200029-D, 200030-E	200499-A, 200500-A
JD 8020 Series		8120, 8220, 8320, 8420	405047	901158, 901159, 300110, 300111, 300112	200029-D, 200030-E	200499-A, 200500-A
JD 8030 Series JD 8 R Series (2010)		8130, 8230, 8330, 8430, 8530, 8225R, 8245R, 8270R, 8295R, 8320R, 8345R	405047	Kit # 405048	200029-D, 200030-E, 200568	200499-A, 200500-A
JD 8 R Series (2011-present) 22" Rows		8235R, 8245R, 8260R, 8270R, 8285R, 8295R, 8310R, 8320R, 8335R, 8360R, 8370R	405047	Kit # 405048	200029-D, 200030-E, 200568	200499-A, 200500-A
JD 8 R Series (2011-present) 30" Rows		8235R, 8245R, 8260R, 8270R, 8285R, 8295R, 8310R, 8320R, 8335R, 8360R, 8370R	405047	Kit # 405048	200029-D, 200030-E, 200568	200630, 200631
JD 8000T, 20T Series		8100T, 8120T, 8200T, 8220T, 8300T, 8320T, 8400T, 8420T	405055	901158, 901159	Track shields	
JD 8030T Series		8230T, 8330T, 8430T	405055	N/A	Track shields	
JD 8RT Series		8295RT, 8320RT, 8345RT, 8310RT, 8335RT, 8360RT	405067	N/A	Track shields	200615
Tractor	Notes	Model	WLO Kit #	Standard Front Weight Mount	RTD Mount	RTD Lower
New Holland						
NH Genesis Super Steer	7	8670, 8770, 8970, 8670A, 8770A, 8870A, 8970A	405066	200040	200074-A	200499-A, 200500-A
NH TM Super Steer		TM150, TM165	N/A	200550	200552	200499-A, 200500-A
NH TM Std Front Axle		TM150, TM165	N/A	901158, 901159	200552	200499-A, 200500-A
NH T7000 Std Front Axle	1, 3	T7030, T7040, T7050, T7060 T7.235, T7.250, T7.260, T7.270	405060	200560	200548-RH 200548-LH	200405-A, 200406-A
NH T7000 Super Steer	3	T7030, T7040, T7050, T7060 T7.235, T7.250, T7.260, T7.270	N/A	200550	200548-RH 200548-LH	200405-A, 200406-A
NH TG Super Steer - 30" Rows NH T8000 Super Steer	8	TG210, TG230, TG255, TG285, T8010, T8020, T8030, T8040, T8050	405064	200535	200534-A	200499-A, 200500-A
NH TG Super Steer - 22" Rows NH T8000 Super Steer	8	TG210, TG230, TG255, TG285, T8010, T8020, T8030, T8040, T8050	405065	200535	200534-A	200499-A, 200500-A
NH T8		T8.275, T8.300, T8.330, T8.360, T8.390	405072	200535, 300100, 300111, 300112	200534-A	200499-A, 200500-A

Tractor	Notes	Model	WLO Kit #	Standard Front Weight Mount	RTD Mount	RTD Lower
Case						
Case Magnum	2WD	7110, 7120, 7130, 7140, 7150, 8910, 8920, 8930, 8940, 8950	405049	901158, 901159	200074-A	200499-A, 200500-A
Case Magnum	4WD	7110, 7120, 7130, 7140, 7150, 8910, 8920, 8930, 8940, 8950	405049	900598, 900599	200074-A	200499-A, 200500-A
Case Maxxum		5120, 5130, 5140, 5220, 5230, 5240, 5250	N/A	901158, 901159	200074-A	200499-A, 200500-A
Case MX Maxxum	1, 5	150, 170	N/A	200306, 200305	200309, 200310, 4-200312	200405-A, 200406-A
Case MXM		175, 190	N/A	901158, 901159	200552	200499-A, 200500-A
Case Puma w/removable front weight mount base	1, 3	165, 180, 195, 210, 225, 170, 185, 200, 215, 230	405058	901158, 901159	200548-RH, 200548-LH	200405-A, 200406-A
Case Puma without removable front weight mount base	1, 3	165, 180, 195, 210, 225, 170, 185, 200, 215, 230	405061	200566	200548-RH, 200548-LH	200405-A, 200406-A
Case MX Magnum	3, 6	MX180, MX200, MX210, MX220, MX230, MX240, MX255, MX270, MX285	405050	200306, 200305, 300110, 300111, 300112	200309, 200310	200499-A, 200500-A
Case Magnum	3, 6	215, 245, 275, 305, 335	405050	200306, 200305, 300110, 300111, 300112	200309, 200310	200499-A, 200500-A
Case Magnum Tier 4 (small frame) 22" Rows	2	180, 190, 210, 225 (2009-2013) 180, 200, 220, 240 (2014-)	405050	200306, 200305, 200516, 200517	200435, 200436	200499-A, 200500-A
Case Magnum Tier 4 (small frame) 30" Rows	1, 4	180, 190, 210, 225 (2009-2013) 180, 200, 220, 240 (2014-)	405050	200306, 200305, 200516, 200517	200435, 200436	200630, 200631
Case Magnum Tier 4 (large frame) 22" Rows	2	235, 260, 290, 315, 340 (2009-2013) 250, 260, 310, 340, 380 (2014-)	405068	900598, 900599, 200470, 200471	200624, 200625	200499-A, 200500-A
Case Magnum Tier 4 (large frame) 30" Rows	1, 4	235, 260, 290, 315, 340 (2009-2013) 250, 260, 310, 340, 380 (2014-)	405068	900598, 900599, 200470, 200471	200624, 200625	200630, 200631

Tractor	Notes	Model	WLO Kit #	Standard Front Weight Mount	RTD Mount	RTD Lower
Agco						
DT Series A	1, 3	DT180A, DT200A, DT220A, DT240A	405057	901158, 901159	200513	200405-A, 200406-A
Buhler						
Front wheel assist		2145, 2160, 2180, 2210	N/A	200040	200074	200499-A, 200500-A
Versatile						
Front wheel assist		250, 280	N/A	200040	200074	200499-A, 200500-A
Challenger						
Challenger		MT745, MT755, MT765	405043	200380	Track shields	
Challenger		MT845, MT855, MT865	405043	200380	Track shields	

Notes:

- 30" Rows require 2-300118 RTD Forward Extension Arm Assembly & RTD with 16" Parallel Arms (2010 -)
- 22" Rows require 2-300118 RTD Forward Extension Arm Assembly & RTD with 16" Parallel Arms (2010 -)
- Adding WLO to Divider Systems pre 2010 with 30" rows will require 2-200570
- All Divider Systems pre 2010 with 30" rows will require 2-200570
- 22" Rows with front tires larger than 34" rims use RTD mounts 200419, 200420
- 22" Rows use RTD mounts 200435, 200436
- WLO also requires 2 - 200524 Rear Tire Divider Lift Assemblies, 2 extra rams and extra hoses
- Requires 2 - 200524 Rear Tire Divider Lift Assemblies, 2 extra rams and extra hoses