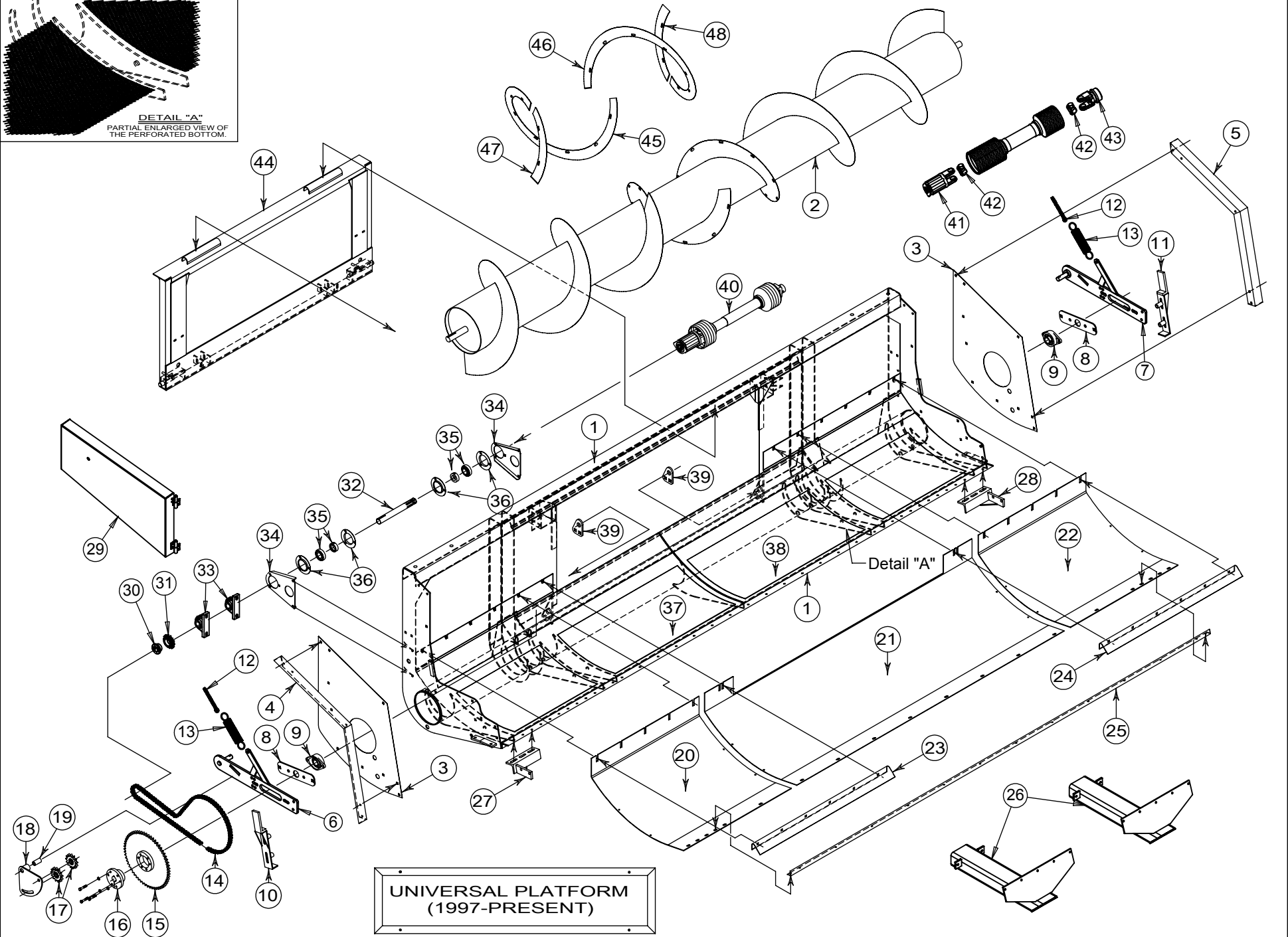
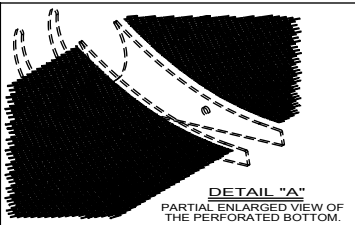


Universal Platform

Platform Parts Breakdown (1997 – Present).....	2-4
Retractable Finger Auger Parts Breakdown.....	5-6
Combine Pickup Head Parts Breakdown (1997 – Present)	7-10
4 – Tube Pickup Head Layout (1997 – 1999)	11-12
8 – Tube Pickup Head Layout (1997 – 2012)	13-14
8 – Tube Pickup Head Layout (2013 – Present)	15-16

Return to this page by clicking the upper right corner of any page in this section.



UNIVERSAL PLATFORM—246" (1997–Present)

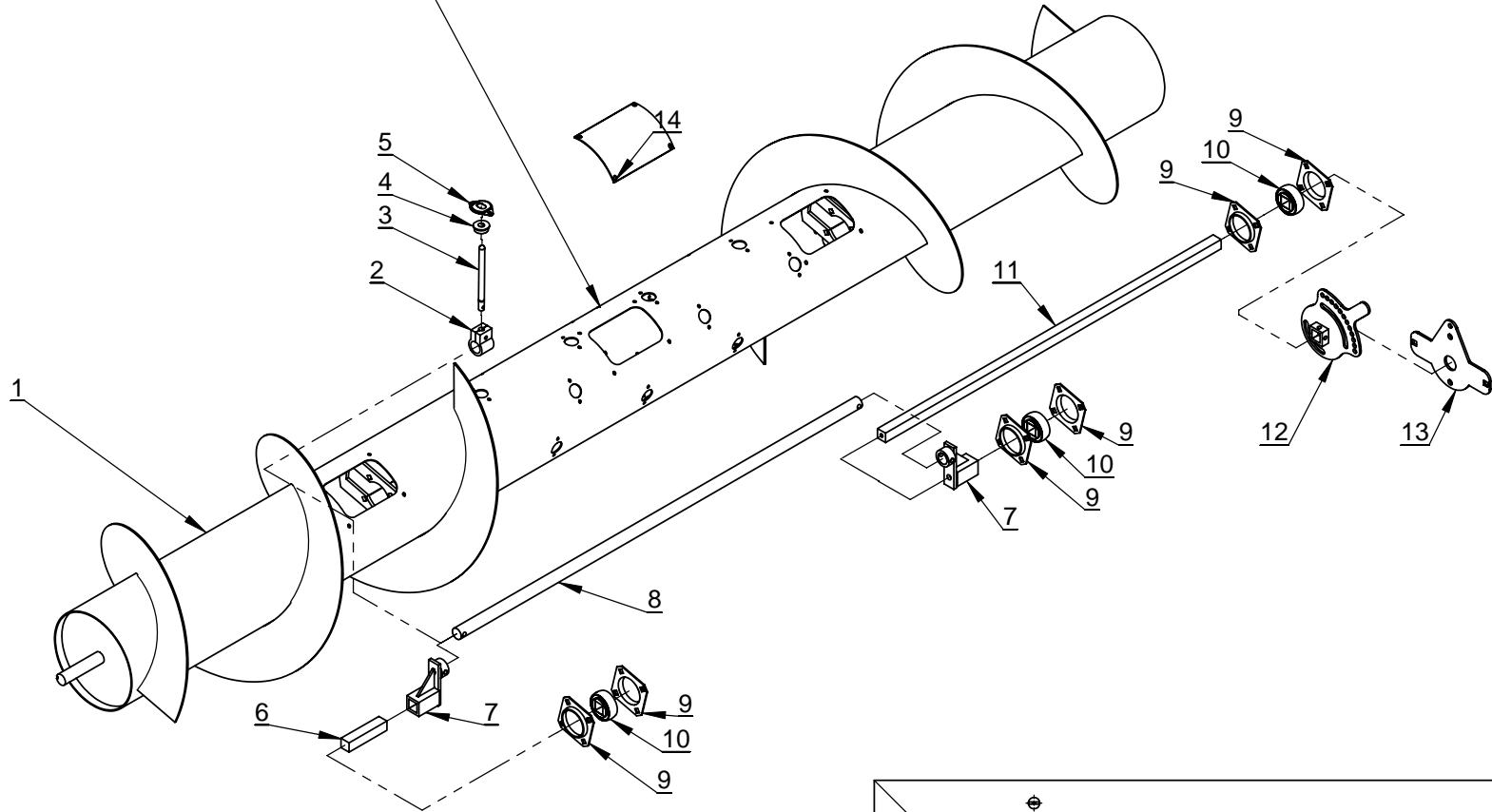
Parts List

<u>Item No.</u>	<u>Part No.</u>	<u>Qty.</u>	<u>Description</u>
1.	400150	1	Platform Main Frame—246" Model
2.	400100	1	Auger—246" Model (with cut down center flighting)
3.	400006	2	Inner End Shield Plate
4.	400010	1	R.H. Inside Shield Angle
5.	400015	1	L.H. Inside Shield Angle
6.	400144	1	R.H. Auger Hold Arm
7.	400025	1	L.H. Auger Hold Arm
8.	400019	2	Auger Bearing Adjustment Plate
9.	102088	2	1-3/8 Flange Bearing
10.	400005	1	R.H. Vertical Adjustment Support Arm
11.	400405	1	L.H. Vertical Adjustment Support Arm
12.	118047	2	1/2" x 6" Rod End
13.	119161	2	Auger Tension Spring (11-1/2" LG)
14.	103100	1	# 60 Regular Chain
15.	119202	1	Sprocket, 60SF-80
16.	119158	1	Bushing, SF x 1-3/8"
17.	119016	2	60 Idler Sprocket (11 tooth)
18.	400155	1	Double Idler Mount
19.	400154	1	Double Idler Pilot Bushing (1" O.D. x 2" LG.)
20.	400137	1	R.H. Solid Bottom Cover Plate (246" Model)
21.	400110	1	Universal Center Solid Bottom Cover Plate
22.	400138	1	L.H. Solid Bottom Cover Plate (246" Model)
23.	400041	1	R.H. Clean Off Angle (246" Model)
24.	400043	1	L.H. Clean Off Angle (246" Model)
25.	400252	1	Front Clean Off Angle (246" Model)
26.	400352	2	Universal Platform Stand Assembly
27.	400398	1	R.H. Universal Knife Mount
28.	400397	1	L.H. Universal Knife Mount
29.	400320	1	Chain Guard
30.	102197	1	Bushing, SH x 1-3/8"
31.	119269	1	Sprocket, 60SH-14
32.	119147	1	6-Spline Shaft (12" w/keyway)
33.	102194	2	1-3/8" Pillow Block Bearing (2007-Present)
34.	400020	2	Driveline Shaft Mounting Plate (1997-2006)
35.	102090	2	1-3/8" Bearing Insert (1997-2006)
36.	106049	2 pair	72 MS Flangette (3 Hole) (1997-2006)
37.	400134	1	R.H. Replacement Perforated Bottom (246" Model)
38.	400135	1	L.H. Replacement Perforated Bottom (246" Model)
39.	400056	2	Hitch Pin Wear Plate
40.	104017	1	Driveline, 1 3/8" 21 Spline Yoke to 6-Spline Radial Pin Clutch (40)

UNIVERSAL PLATFORM—246" (1997–Present)**Parts List**

<u>Item No.</u>	<u>Part No.</u>	<u>Qty.</u>	<u>Description</u>
41.	124013	1	Radial Pin Clutch
42.	103078	2	Cross and Bearing Kit
43.	124014	1	Yoke, 1 3/8" 21 Spline (Standard)
43a.	124011		Yoke, 1 1/8" Hex (Optional)
43b.	124002		Yoke, 1 3/8" 6 Spline (Optional)
44.	400070	1	Case Adapter Plate (Optional) (Prior to 2003 AFX8010 & 2007 AFX7010)
45.	400118	1	R.H. Auger Flight (Long Bolt-on Section)
46.	400117	1	L.H. Auger Flight (Long Bolt-on Section)
47.	400256	1	R.H. Auger Flight (Short Bolt-on Section)
48.	400255	1	L.H. Auger Flight (Short Bolt-on Section)

Fingered portion of Auger can be ordered 28" to 48" in width



Universal Platform
Retractable Finger Auger
246" Model

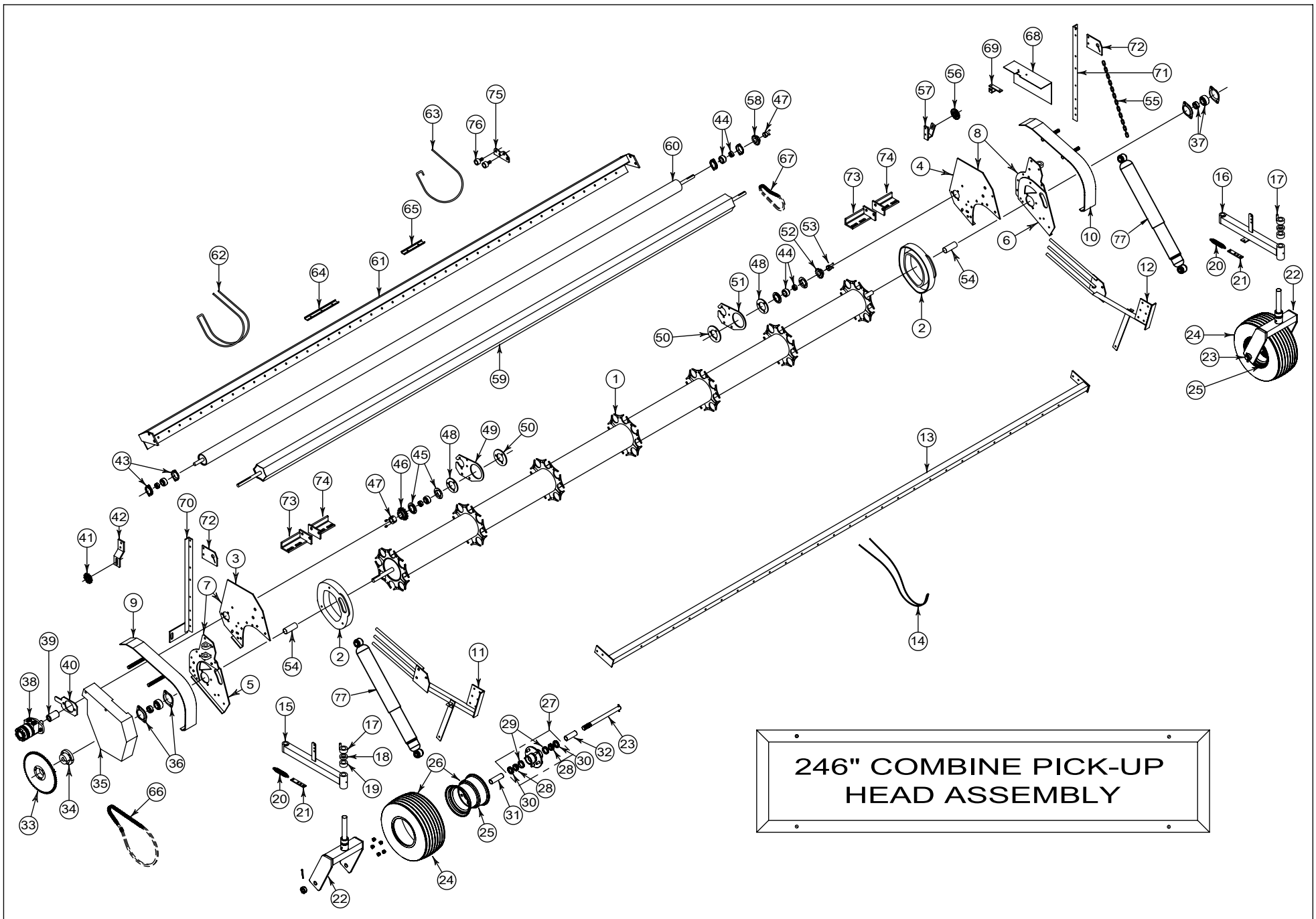
Retractable Finger Auger 246" Model

Parts List

<u>Item No.</u>	<u>Part No.</u>	<u>Qty</u>	<u>Description</u>
1.	400342	1	Retractable Finger Auger Weld Assembly
2.	103181	14—24	Finger Clamp Assembly
3.	116034-S	14—24	Steel Auger Finger
4.	400322	14—24	Steel Auger Finger Guide
5.	103182	14—24	Finger Guide Retainer
6.	400331	1	RH Idler Bearing Bar
7.	400330	2	Finger Crank Offset Arm Assembly
8.	400323	1	Finger Crank Center Shaft
9.	106066	3 pr	Flangette, 85MS
10.	102087	3	Bearing, 1 1/4" Square
11.	400329	1	LH Idler Bearing Bar (246" Model)
12.	400349	1	Idler Bar Lock Plate Assembly
13.	400351	1	Auger Finger Adjustment Plate
14.	400343	6	Access Hole Inspection Cover
15.	400338	1	Complete Retractable Finger Auger Assembly (Not Shown)

Roller Carriers

Not Shown	400060	1	Auger Carrier (Drive-end keyed)
Not Shown	400065	1	Auger Carrier (Idler-end no key)(Augers without retractable fingers)



246" COMBINE PICK-UP
HEAD ASSEMBLY

246" (22 ft.) COMBINE PICK UP HEAD, (1997–Present)

(1¼" PUH Bearings)

Parts List

<u>Item No.</u>	<u>Part No.</u>	<u>Qty.</u>	<u>Description</u>
1.	940390	1	8-Tube Pick Up Head (See pages 14–17 for breakdown)
1a.	940315		4-Tube Pick Up Head (Not Shown) (See pages 12-13 for breakdown)
2.	103096	2	Cam Track, Universal
3.	901405	1	R.H. Rear Side Plate
4.	901406	1	L.H. Rear Side Plate
5.	940395	1	R.H. Front Side Plate (1¼" PUH Bearings)
6.	940396	1	L.H. Front Side Plate (1¼" PUH Bearings)
7.	940402	1	Complete R.H. Side Plate Assembly (includes items 3 & 5)
8.	940403	1	Complete L.H. Side Plate Assembly (includes items 4 & 6)
9.	900414	1	R.H. Roller Shroud
10.	900413	1	L.H. Roller Shroud
11.	940270	1	R.H. Side Plate Deflector Rod
12.	940269	1	L.H. Side Plate Deflector Rod
13.	940314	1	Hold Down Rod Mount Bracket
14.	118002	37	Hold Down Rod
15.	940501★	1	R.H. Gauge Wheel Arm (Requires swivel pin # 940292) (2000–Present)
15a.	940280★		R.H. Gauge Wheel Arm (Requires swivel pin # 940292) (1997–1999)
16.	940502★	1	L.H. Gauge Wheel Arm (Requires swivel pin # 940292) (2000–Present)
16a.	940295★		L.H. Gauge Wheel Arm (Requires swivel pin # 940292) (1997–1999)
17.	940505★	2	Spring Mount Lock Bushing (2000–Present)
17a.	940017★		Spring Mount Lock Bushing (1997–1999)
18.	940506★	2	Wheel Mount Spacer (½") (2000–Present)
18a.	940013★		Wheel Mount Spacer (½") (1997–1999)
19.	940507★	6	Wheel Mount Spacer (1") (2000–Present)
19a.	940014★		Wheel Mount Spacer (1") (1997–1999)
20.	119060	2	Wheel Mount Spring
21.	940018	2	Wheel Fork Spring Mount
22.	940500★	2	Wheel Fork Assembly (Wide Frame) (2000–Present)
22a.	940405★		Wheel Fork Assembly (Wide Frame) (1999 only)
22b.	940175★		Wheel Fork Assembly (Narrow Frame) (1997–1998)
23.	990080	2	Wheel Fork Axle (Requires 1" NF Castellated Hex Nut & ¼" Roll Pin) (1999–Present)
23a.	940177		Wheel Fork Axle (Requires 1" NF Castellated Hex Nut & ¼" Roll Pin) (1997–1998)
24.	120000	2	Tire (18 x 9.5—8) (1999–Present)
24a.	120010		Tire (4 x 8) (1997–1998)
25.	123018	2	Steel Wheel 8 x 7 (5 on 4.5) (use bushing nos. 990137 & 990138) (1999–Present)
25a.	123016		Steel Wheel 8 x 4 (5 on 4.5) (use bushing nos. 940178 & 940179) (1997–1998)
26.	123019	2	Wheel Assembly (Complete) (items: 24 & 25) (1999–Present)
26a.	123017		Wheel Assembly (Complete) (items: 24a & 25a) (1997–1998)
27.	108136	2	Straddle Hub (used with items: 28, 29, & 30)
28.	102001	4	1" Straddle Hub Bearing cone

246" (22 ft.) COMBINE PICK UP HEAD, (1997–Present)**(1¼" PUH Bearings)****Parts List**

<u>Item No.</u>	<u>Part No.</u>	<u>Qty.</u>	<u>Description</u>
29.	102002	4	1" Straddle Hub Bearing cup
30.	119024	4	Hub Seal
31.	990137	2	Bushing, Spacer 4 1/8" long
32.	990138	2	Bushing, Spacer 3 9/16" long
33.	119148	1	Sprocket, 50SK60 Taper Lock
34.	119159	1	Bushing, 1¼" Taper Lock Hub
35.	900316	1	50 Chain Guard
36.	106050	2	Flangette, 2-hole (72 MST)
37.	102060	2	Bearing, 1¼" Insert (w/lock collar)
38.	113023	1	Hydraulic Motor (MF Series)
38a.	119109		Seal Kit for Item 38
39.	103017	1	1" x 3" Split Coupler
40.	900225	1	Hydraulic Motor Mount
41.	119010	1	Idler Sprocket, (50 x 13 x 5/8")
42.	900334	1	50 Idler Sprocket Mount
43.	106013	2	Flangette, Housing (2-hole)
44.	102005	4	Bearing, 1" Insert with Lock Collar
45.	106004	2	Flangette, Housing (3-hole)
46.	119166	1	Sprocket, 50BTB15H Taper Lock
47.	119163	2	Bushing, 1210 x 1 KW Taper Lock
48.	940668	2	Hinge Spacer (2016 – Present)
48a.	900570	2	Hinge Spacer (1997 – 2015)
49.	940666	1	R.H. End Hinge Bracket (2016 – Present)
49a.	940293	1	R.H. End Hinge Bracket (1997 – 2015)
50.	900571	2	Hinge Lock
51.	940665	1	L.H. End Hinge Bracket (2016 – Present)
51a.	940002	1	L.H. End Hinge Bracket (1997 – 2015)
52.	119170	1	Sprocket 40TBT17H Taper lock (2013 – Present)
52a.	119169	1	Sprocket, 40BTB30H Taper lock (1997 – 2012)
53.	119163	1	Bushing, 1210 x 1 KW Taper lock (2013 – Present)
53a.	119164	1	Bushing, 1610 x 1 KW Taper lock (1997 – 2012)
54.	901484	2	Spacer, Pick Up Head (3 ²⁹ / ₃₂ " lg.)
55.	103036	2	Lift Chain, 1/4"
56.	119005	1	Idler Sprocket, (40 x 17 x 1/2")
57.	940170	1	40 Idler Sprocket Mount
58.	119170	1	Sprocket, 40BTB17H Taper Lock
59.	940320	1	Hex Roller
60.	940319	1	4" Roller
61.	940324	1	Rotor Rod Mount
62.	118015	61	Rotor Rod

246" (22 ft.) COMBINE PICK UP HEAD, (1997–Present)

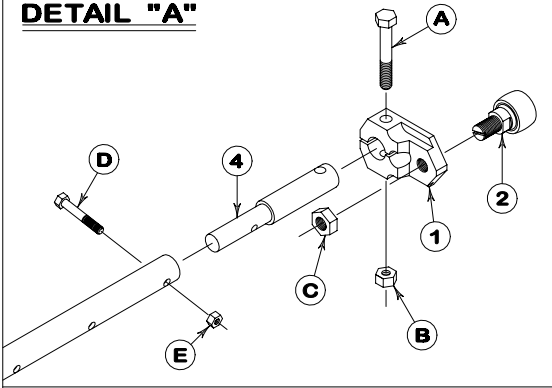
(1¼" PUH Bearings)

Parts List

<u>Item No.</u>	<u>Part No.</u>	<u>Qty.</u>	<u>Description</u>
63.	118016	1	Rotor Rod (L.H. End Only)
64.	103023	20	Rotor Rod Clip (3-hole)
65.	103024	1	Rotor Rod Clip (2-hole) (R.H. End Only)
66.	103012	1	50 Chain (80 pins or 40 links)
67.	103199	1	40 Chain (40 pins or 20 links) (2013 – Present)
67a.	103105	1	40 Chain (47 pins or 23 1/2 links) (2000 – 2012)
68.	940300	1	40 Chain Guard
69.	940304	1	40 Chain Guard Mount
70.	940054-97	1	Upright Angle, R.H. (1997–Present)
71.	940053	1	Upright Angle, L.H. (All Models)
72.	940052	2	Upper Chain Bracket
73.	940265-R	2	R.H Knife Support Bracket
74.	940265-L	2	L.H. Knife Support Bracket
75.	940197	1	4" Roller Bearing Mount Plate (optional)
76.	102080	2	Roller Carrier Bearing (optional)
77.	119348	2	Shock, Gas Charged (2013 – Present)

★ When ordering parts verify year and wheel fork assembly shaft size. 1997–1999 the wheel fork pivot shaft is 1 3/16". 2000–present the wheel fork pivot shaft is 1 1/4".

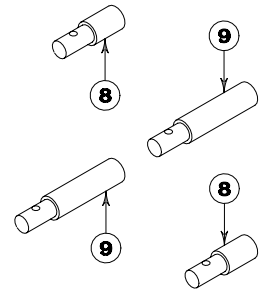
DETAIL "A"



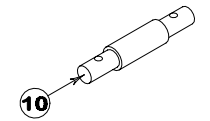
FINGER RODS REQUIRED PER (246-3/16") 4 TUBE P-U HEAD

(20 REQ'D) 37-3/8" (10 HOLES) 900866
 (4 REQ'D) 41-3/8" (11 HOLES) 900867

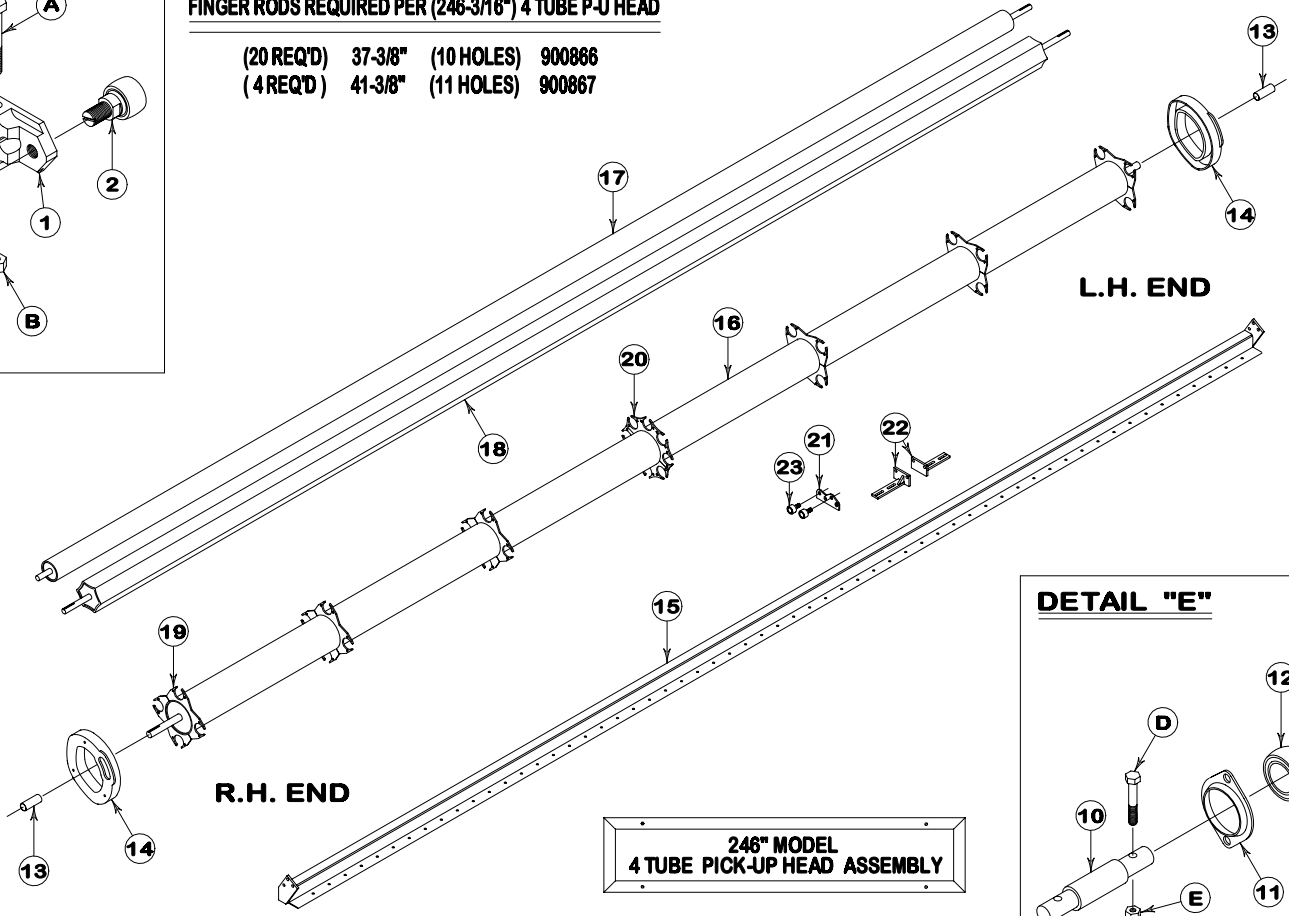
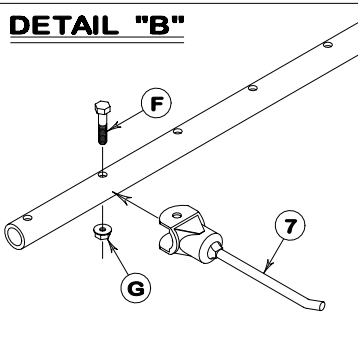
DETAIL "C"



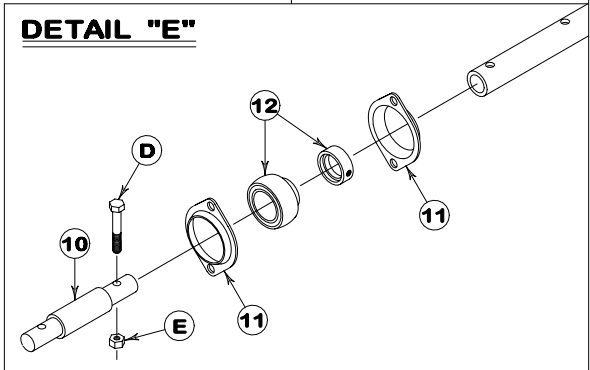
DETAIL "D"



DETAIL "B"

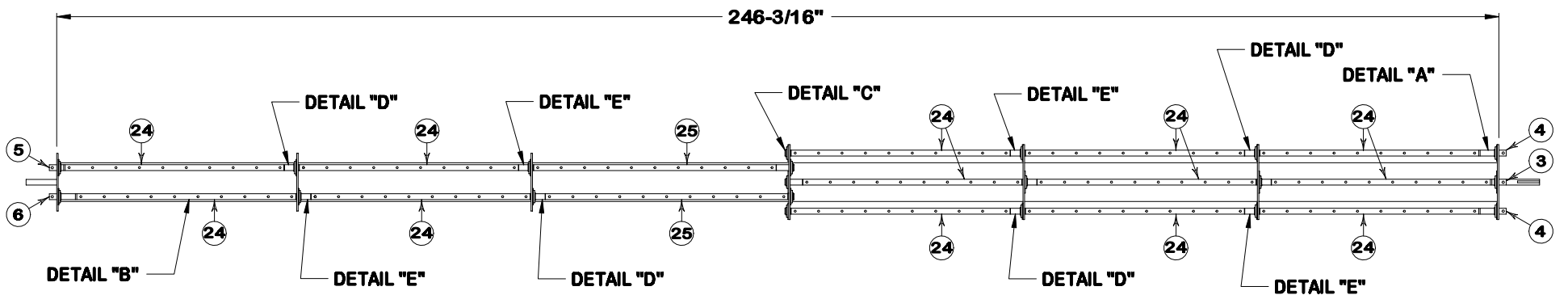


DETAIL "E"



L.H. END (NO KEY)

R.H. END (KEYED)



4-TUBE PICKUP HEAD ASSEMBLY—246" MODEL (1997–Present)

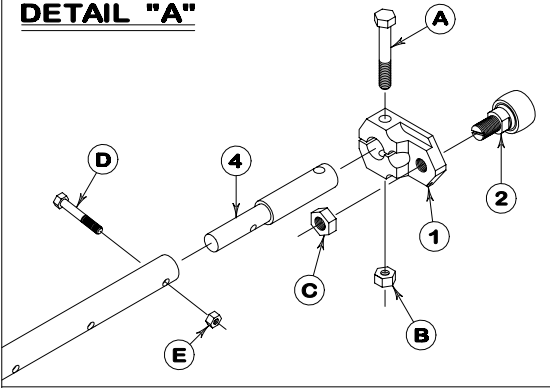
Parts List

<u>Item No.</u>	<u>Part No.</u>	<u>Description</u>
1.	103095	Cam Arm (Universal)
2.	102015	Bearing, Cam Arm
3.	119136	Shaft, R.H. Short Finger Offset
4.	119134	Shaft, R.H. Long Finger Offset
5.	119137	Shaft, L.H. Short Finger Offset
6.	119135	Shaft, L.H. Long Finger Offset
7.	106000	Finger, Rubberized—244 Per machine
8.	900859	Center Spider Stub Shaft—Short
9.	900858	Center Spider Stub Shaft—Long
10.	900857	Coupler, Finger Rod
11.	106013	Flangett, 2-Hole
12.	102005	Bearing, 1" Insert with Lock Collar
13.	900709	Spacer, Pickup Head
14.	103096	Cam, Track (Universal)
15.	940324	Rotor Rod Mount
16.	940317	Pickup Tube with 7 Spiders
17.	940319	4" Roller
18.	940320	Hex Roller
19.	900860	Two-Hole End Spider (sold in pairs)
20.	900861	Four-Hole Center Spider (sold in pairs)
21.	940197	4" Roller Bearing Mount Plate
22.	940265	Knife Support Bracket, Universal
23.	102080	Roller Carrier Bearing
24.	900866	Finger Rod, 37 ³ / ₈ "—20 Required per P.U.H.
25.	900867	Finger Rod, 41 ³ / ₈ "—4 Required per P.U.H.
Not Shown	940315	Complete Pickup Head Assembly

Hardware List

<u>Item No.</u>	<u>Part No.</u>	<u>Description</u>
A.		7/16" × 3" NC Hex Bolt—Grade 8
B.		7/16" NC Nyloc Hex Nut
C.		5/8" NF Jam Nut
D.		5/16" × 1½" NC Hex Bolt—Grade 8 (for use on all couplers and stub shafts)
E.	106051	5/16" NF Stover Nut—Grade 9
F.		5/16" × 1½" NC Hex Bolt—Grade 5 (for use on fingers only)
G.		5/16" NC Whiz Nut

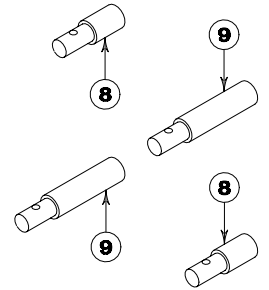
DETAIL "A"



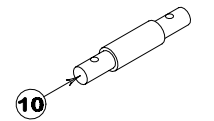
FINGER RODS REQUIRED PER (246-3/16") 8 TUBE P-J HEAD

(8 REQ'D) 41-3/8" (11 HOLES) 900867
 (40 REQ'D) 37-3/8" (10 HOLES) 900866

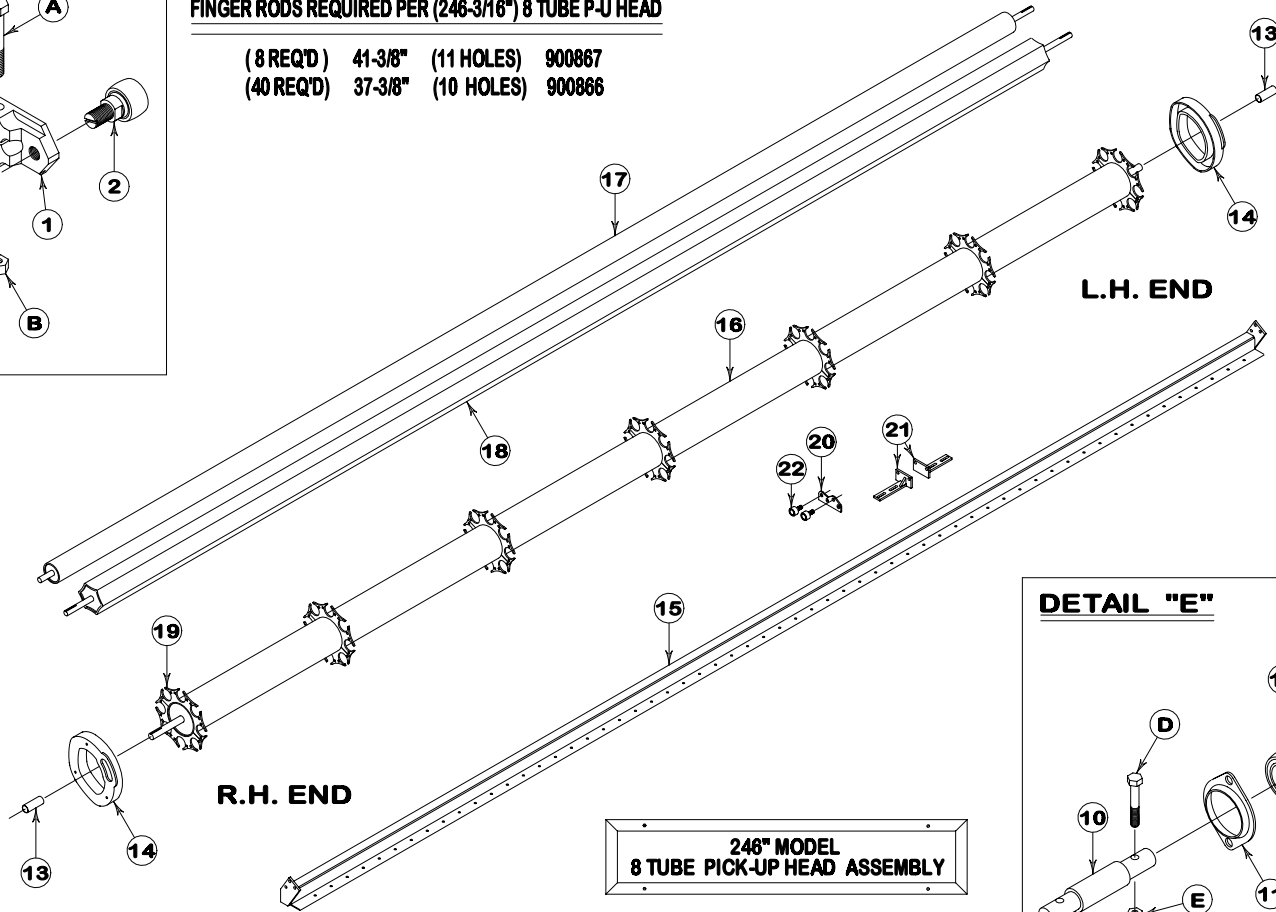
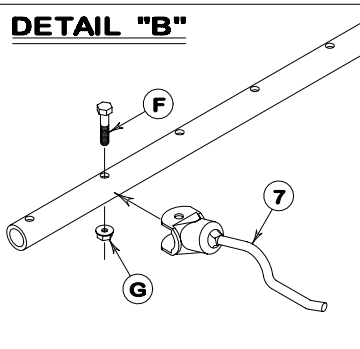
DETAIL "C"



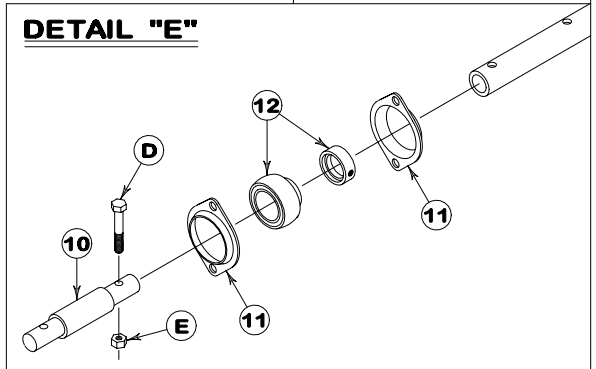
DETAIL "D"



DETAIL "B"

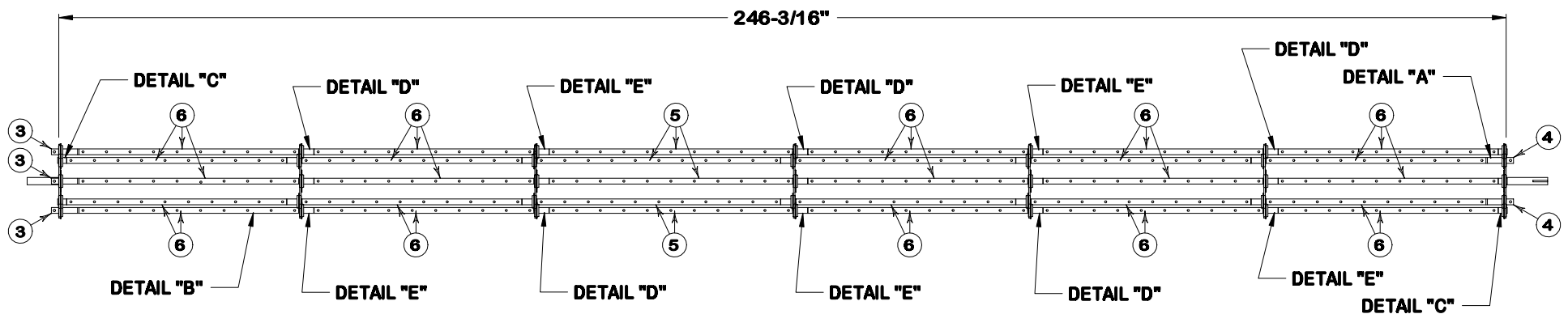


DETAIL "E"



L.H. END (NO KEY)

R.H. END (KEYED)



8-TUBE PICKUP HEAD ASSEMBLY (246" MODEL) 1997–2012

Parts List

<u>Item No.</u>	<u>Part No.</u>	<u>Qty</u>	<u>Description</u>
1.	103095	8	Cam Arm (Universal)
2.	102015	8	Bearing, Cam Arm
3.	119135	4	Shaft, L.H. Long Finger Offset
4.	119134	4	Shaft, R.H. Long Finger Offset
5.	900867	8	Finger Rod 41 ³ / ₈ " (11 holes)
6.	900866	40	Finger Rod 37 ³ / ₈ " (10 holes)
7.	106036	488	Finger, with radius (8 Tube Pickup Head)
8.	901412	8	End Spider Stub Shaft (short)
9.	901420	0	End Spider Stub Shaft (long)
10.	900857	40	Coupler, Finger Rod
11.	106013	56 pr.	Flangette, 2 Hole
12.	102005	56	Bearing, 1" Insert (with Lock Collar)
13.	901484	2	Spacer, Pickup Head (3 ²⁹ / ₃₂ " Lg.)
14.	103096	2	Cam Track (Universal)
15.	940324	1	Rotor Rod Mount (252 3/8")
16.	940389	1	Pickup Tube (with 7 Spiders) (246 ³ / ₁₆ ")
17.	940319	1	4" Roller (250 ⁷ / ₈ ")
18.	940320	1	Hex Roller (248 ³ / ₈ ")
19.	900861	7	Eight Hole Spider
20.	940197	1	4" Roller Bearing Mount Plate (optional)
21.	940265	2	Knife Support Bracket, 1 RH & 1 LH (optional)
22.	102080	2	Roller Carrier Bearing
Not Shown	940390	1	Complete 8-Tube Pickup Head Assembly (246 ³ / ₁₆ ") (1 ¹ / ₄ " PUH Bearings)

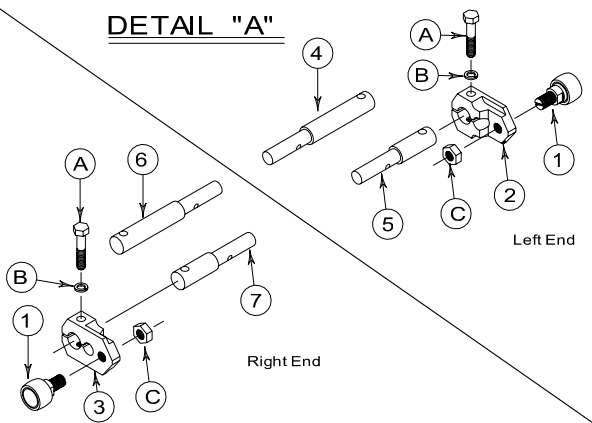
Roller Carriers

Not Shown	901450	1	1 ¹ / ₄ " Pickup Head Carrier (Drive-end keyed)
Not Shown	901451	1	1 ¹ / ₄ " Pickup Head Carrier (Idler-end no key)
Not Shown	900058	1	4" Roller Carrier (Drive-end keyed)
Not Shown	900059	1	4" Roller Carrier (Idler-end no key)
Not Shown	900062	1	Hex Roller Carrier (R.H. end 4 ³ / ₄ " keyway)
Not Shown	900063	1	Hex Roller Carrier (L.H. end 2 ¹ / ₂ " keyway)

Hardware List

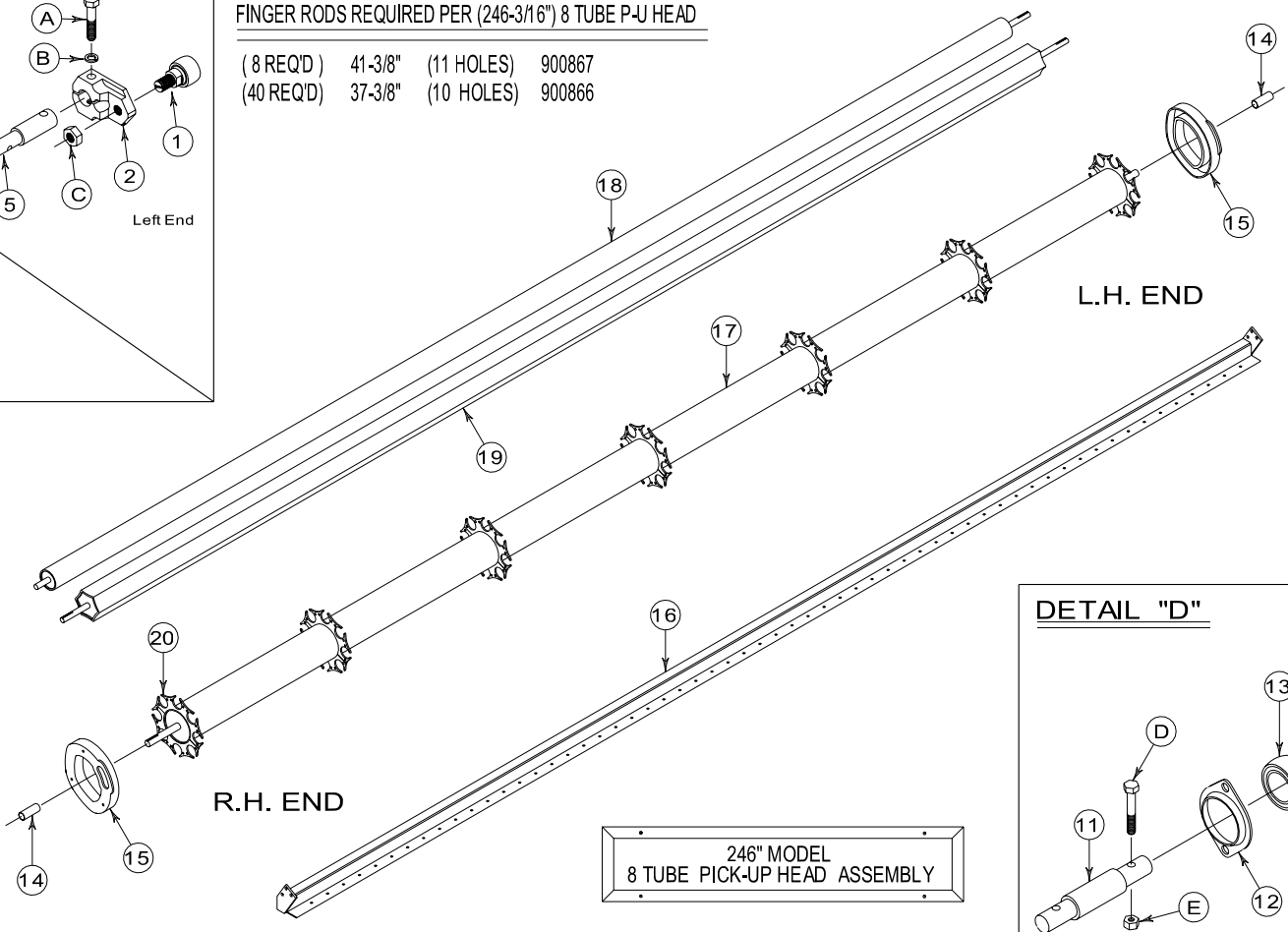
<u>Item No.</u>	<u>Part No.</u>	<u>Qty</u>	<u>Description</u>
A.	---	8	7/16" × 3" NC Hex Bolt–Grade 8
B.	---	8	7/16" NC Nylon Hex Nut
C.	---	8	5/8" NF Jam Nut
D.	106051	96	5/16" × 2" NF Hex Bolt–Grade 9 (sold as a set with nut)
E.	106051	96	5/16" NF Stover Nut–Grade 9 (sold as a set with bolt)
F.	---	392	5/16" × 1 ¹ / ₂ " NC Hex Bolt–Grade 5 (use on fingers only)
G.	---	392	5/16" NC Whiz Nut (use on fingers only)

DETAIL "A"

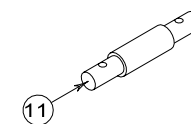


FINGER RODS REQUIRED PER (246-3/16") 8 TUBE P-J HEAD

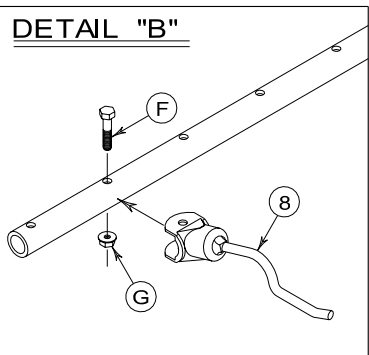
(8 REQ'D)	41-3/8"	(11 HOLES)	900867
(40 REQ'D)	37-3/8"	(10 HOLES)	900866



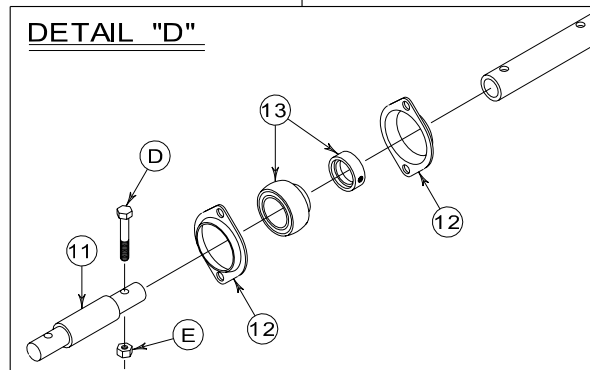
DETAIL "C"



DETAIL "B"

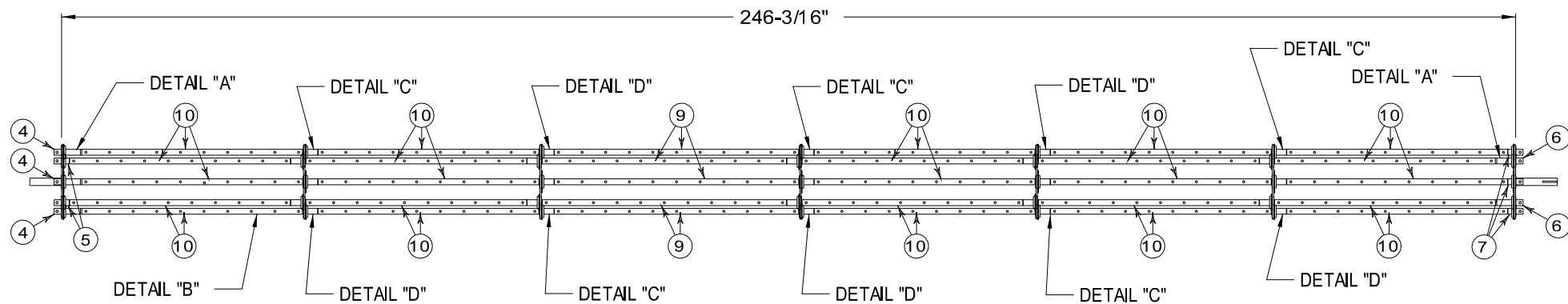


DETAIL "D"



L.H. END (NO KEY)

R.H. END (KEYED)



8 TUBE PICKUP HEAD ASSEMBLY (246" MODEL) 2013-Present

Parts List

<u>Item No.</u>	<u>Part No.</u>	<u>Qty</u>	<u>Description</u>
1.	102015	16	Bearing, Cam Arm
2.	103095-LH	8	Cam Arm (Threaded)
3.	103095-RH	8	Cam Arm (Threaded)
4.	119135	4	Shaft, L.H. Long Finger Offset
5.	119137	4	Shaft, L.H. Short Finger Offset
6.	119134	4	Shaft, R.H. Long Finger Offset
7.	119136	4	Shaft, R.H. Short Finger Offset
8.	106036	488	Finger, with Radius (8-Tube Pickup Head)
8a.	106052	0	Finger, Soft (Optional)
9.	900867	8	Finger Rod 41 3/8" (11 holes)
10.	900896	40	Finger Rod 37 3/8" (10 holes)
11.	900857	40	Coupler, Finger Rod
12.	106013	56pr	Flangette, 2-Hole
13.	102005	56	Bearing, 1" Insert (w/Lock Collar)
14.	901484	2	Spacer, Pickup Head (3 29/32" Lg.)
15.	103096	2	Cam Track (Universal)
16.	940324	1	Rotor Rod Mount (252 3/8")
17.	940389	1	Pickup Tube (with 7 Spiders) (246 3/16")
18.	940319	1	4" Roller (250 7/8")
19.	940320	1	Hex Roller (248 3/8")
20.	900861	7	8-Hole Spider
Not Shown	940390	1	Complete 8-tube Pickup Head Assembly (246 3/16")

Roller Carriers

Not Shown	901450	1	Pickup Head Carrier (Drive-end keyed)
Not Shown	901451	1	Pickup Head Carrier (Idler-end no key)
Not Shown	900058	1	4" Roller Carrier (Drive-end keyed)
Not Shown	900059	1	4" Roller Carrier (Idler-end no key)
Not Shown	900062	1	Hex Roller Carrier (R.H. end 4 3/4" keyway)
Not Shown	900063	1	Hex Roller Carrier (L.H. end 2 1/2" keyway)

Hardware List

<u>Item No.</u>	<u>Part No.</u>	<u>Qty</u>	<u>Description</u>
A.		16	7/16" × 2 1/4" NF Hex Bolt–Grade 8
B.		16	7/16" Lock Washer
C.		16	5/8" NF Jam Nut
D.	106051	96	5/16" × 2" NF Hex Bolt–Grade 9 (sold as a set with nut)
E.	106051	96	5/16" NF Stover Nut–Grade 9 (sold as a set with bolt)
F.		392	5/16" × 1 1/2" NC Hex Bolt–Grade 5 (use on fingers only)
G.		392	5/16" NC Whiz Nut (use on fingers only)