

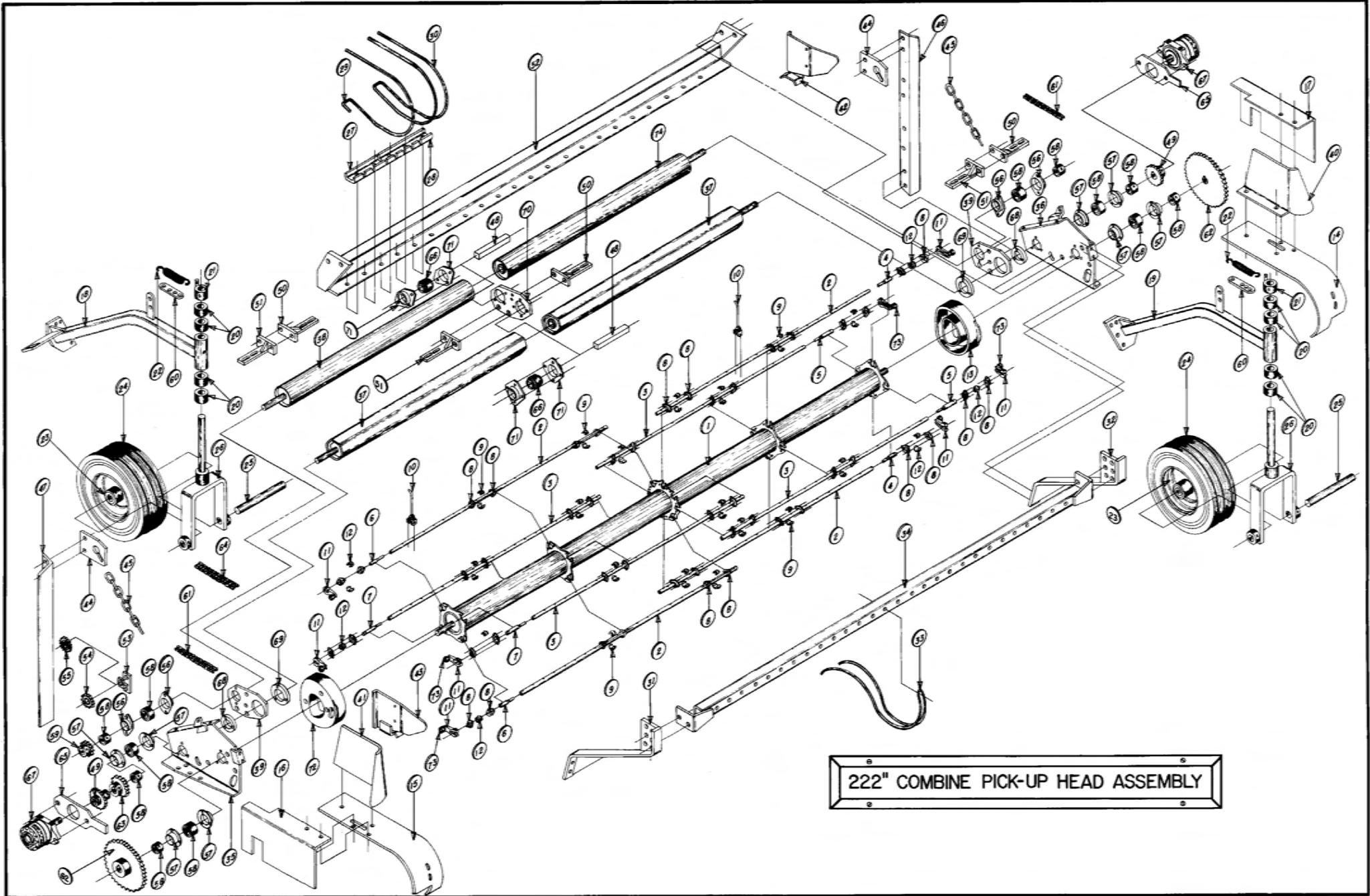
Combine Pickup Heads

222" Model

Section 5

Model Years 1991 – 1996	2-5
Pickup Head Layout 1994 – 1996	6-7
Model Years 1997 – Present (1 1/4" PUH Bearings)	8-11
4 – Tube Pickup Head Layout 1997 – 1999	12-13
8 – Tube Pickup Head Layout 1997 – 2012	14-15
8 – Tube Pickup Head Layout 2013 – Present	16-17

Return to this page by clicking the upper right corner of any page in this section.



222" COMBINE PICK-UP HEAD ASSEMBLY

222" COMBINE PICK UP HEAD, (1991–1996)**Parts List**

Item No.	Part No.	Description
1.	940000★	Pickup Head Tube with Spiders ♦
2.	940003★	110¾" Finger Rods–Long ♦
3.	940004★	108¾" Finger Rods–Short ♦
4.	119070	Left Pipe Ends–Short ♦
5.	119068	Left Pipe Ends–Long ♦
6.	119071	Right Pipe Ends–Short ♦
7.	119069	Right Pipe Ends–Long ♦
8.	106002	Flangette Housing, 2-Hole ♦
9.	102035	Center Bushing, 2 Piece White ♦
10.	106000	Rubber Fingers
Not Shown	106034	Offset Rubber Fingers
11.	103044	Cam Arms
12.	102034	End Bushings, 1 Piece Black ♦
13.	103000	Cam Track, L.H.
14.	940041	Straw Guard, L.H.
15.	940042	Straw Guard, R.H.
16.	940005	Chain Guard, R.H.
17.	940006	Chain Guard, L.H.
18.	940076	Wheel Mount Assembly, R.H. (Obsolete no. 940007) ♦♦
19.	940077	Wheel Mount Assembly, L.H. (Obsolete no. 940008) ♦♦
20.	940014	Wheel Mount Spacers, 1"
21.	940017	Spring Mount Lock Bushing
22.	119060	Wheel Mount Spring
23.	123016	Steel Wheel (Obsolete no. 123006) ♦♦
24.	120010	Tire 4" x 8"
Not Shown	123017	Wheel Assembly–Complete (items: 23 & 24)
Not Shown	108136	Straddle Hub (used with items: 23, 24, 25, 26) (use bushings 940178 & 940179)
Not Shown	102001	1" Straddle Hub Bearing Cone (4 required)
Not Shown	102002	1" Straddle Hub Bearing Cup (4 required)
Not Shown	119024	Hub Seal (4 required)
25.	940177	Wheel Fork Axle (Obsolete no. 940023) ♦♦
26.	940175	Wheel Fork Assembly (Obsolete no. 940090) ♦♦
27.	103024	Rotor Rod Clip, 2-Hole
28.	103023	Rotor Rod Clip, 3-Hole
29.	118016	Rotor Rod, Right End Only
30.	118015	Rotor Rod
31.	940043	Hold Down Mount Bracket, R.H.
32.	940044	Hold Down Mount Bracket, L.H.
33.	118002	Hold Down Rod
34.	940056	Hold Down Rod Mounting Brace Assembly

222" COMBINE PICK UP HEAD, (1991–1996)**Parts List**

<u>Item No.</u>	<u>Part No.</u>	<u>Description</u>
35.	940046	Support Plate Assembly, R.H.
36.	940047	Support Plate Assembly, L.H.
37.	940036	Hex Roller Slinger Tube—Center Divided } Replaced by 901292
38.	940037	Roller, 4"—keyed } Replaced by 901291
39.	940002	End Hinge Plate
40.	940048	Front Shield, L.H.
41.	940049	Front Shield, R.H.
42.	940050	Rear Shield Assembly, L.H.
43.	940051	Rear Shield Assembly, R.H.
44.	940052	Upper Chain Bracket
45.	103039	Lift Chain, $\frac{3}{16}$ "
Not Shown	119120	Spring, Combine Pickup Head (used with item no. 45)
46.	940053	Upright Angle, L.H.
47.	940054	Upright Angle, R.H.
48.	940038	1" Square Power Transfer Shaft
49.	940039	1" Sprocket Shaft Coupler
50.	940190	Knife Support Assembly, LH, Short (Not Shown-940167 Spacer Plate)
51.	940191	Knife Support Assembly, RH, Long (Not Shown-940167 Spacer Plate)
52.	940032	Rotor Rod Mount Assembly
53.	900137	40 Idler Sprocket Bracket
54.	119010	50 Idler Sprocket, 13 Tooth, R.H.
55.	119005	40 Idler Sprocket, 17 Tooth, L.H.
56.	106013	Flangette Bearing Housing, 2-Hole
57.	106004	Flangette Housing, 3-Hole
58.	102005	Bearing Insert with Lock Collar 1"
59.	119004	Sprocket, 40BS 15 × 1"
60.	940018	Wheel Fork Spring Mount
61.	103007	40 Chain, 38 Links, 40 Roller
62.	119008	Sprocket, 50BS 60 × 1"
63.	119003	Sprocket, 40BS 26 × 1"
64.	103012	50 Chain, 80 Pins or 40 Links
65.	900225	Hydraulic Motor Mount
66.	102000	Bearing, 1" Square ♦
67.	113023	Hydraulic Motor (Replaces 113008)
68.	900570	Hinge Spacer

222" COMBINE PICK UP HEAD, (1991–1996)

Parts List

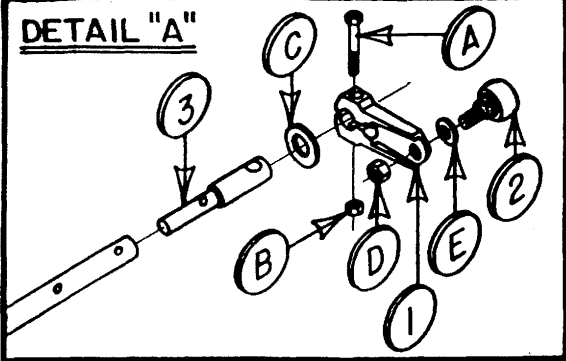
<u>Item No.</u>	<u>Part No.</u>	<u>Description</u>
69.	900571	Hinge Lock
70.	940001	Center Hinge Plate ♦
71.	106007	Flangette, 4-Hole Square ♦
72.	103001	Cam, R.H. Track
73.	102015	Bearing, Cam
74.	940055	L.H. 4" Roller–No key, Center Divided ♦ } Replaced by 901291
Not Shown	940060	Complete Pickup Tube Assembly ♦ } Replaced by 900945

★ This part is manufactured on a built-to-order basis only. Call Pickett Equipment for availability and lead-time.

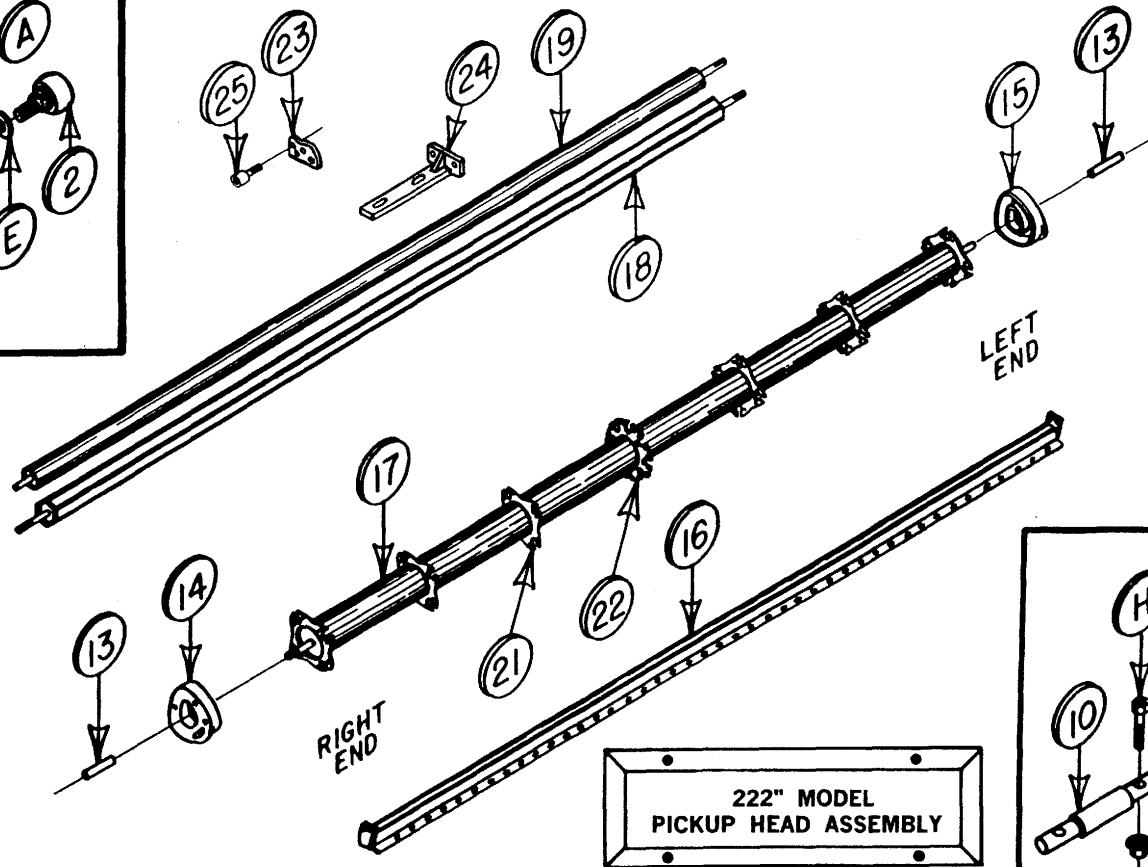
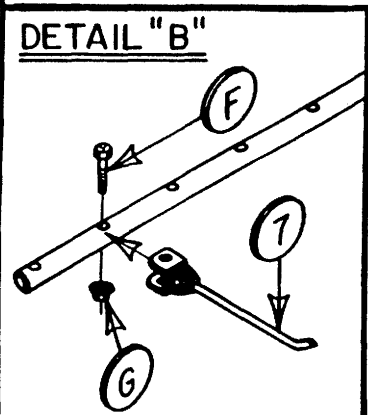
♦ Pickup head parts noted are for use on 1991–1993 pickup heads only. See pickup head layout, pages 6 and 7 of this section, for 1994–1996 pickup head part information.

♦♦ For obsolete part conversion information, contact Pickett Equipment or your local dealer.

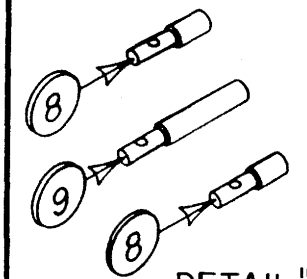
DETAIL "A"



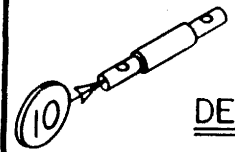
DETAIL "B"



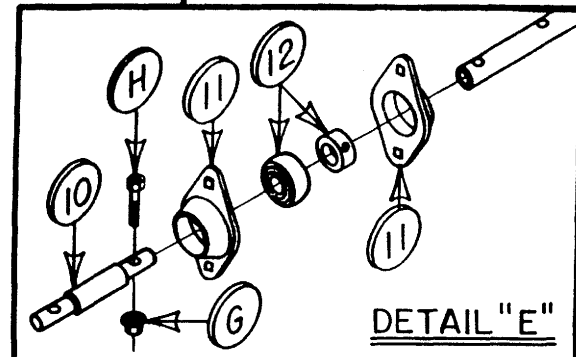
DETAIL "C"



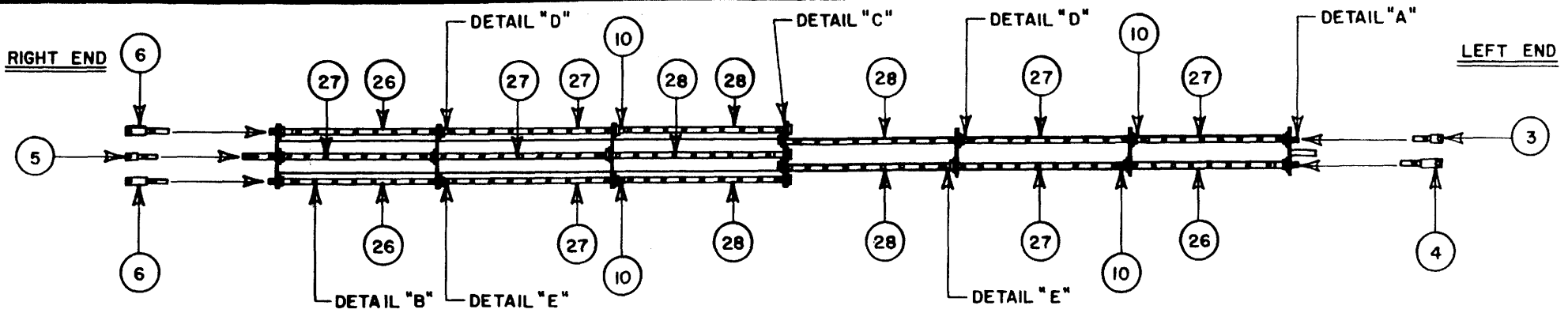
DETAIL "D"



DETAIL "E"



RIGHT END



LEFT END

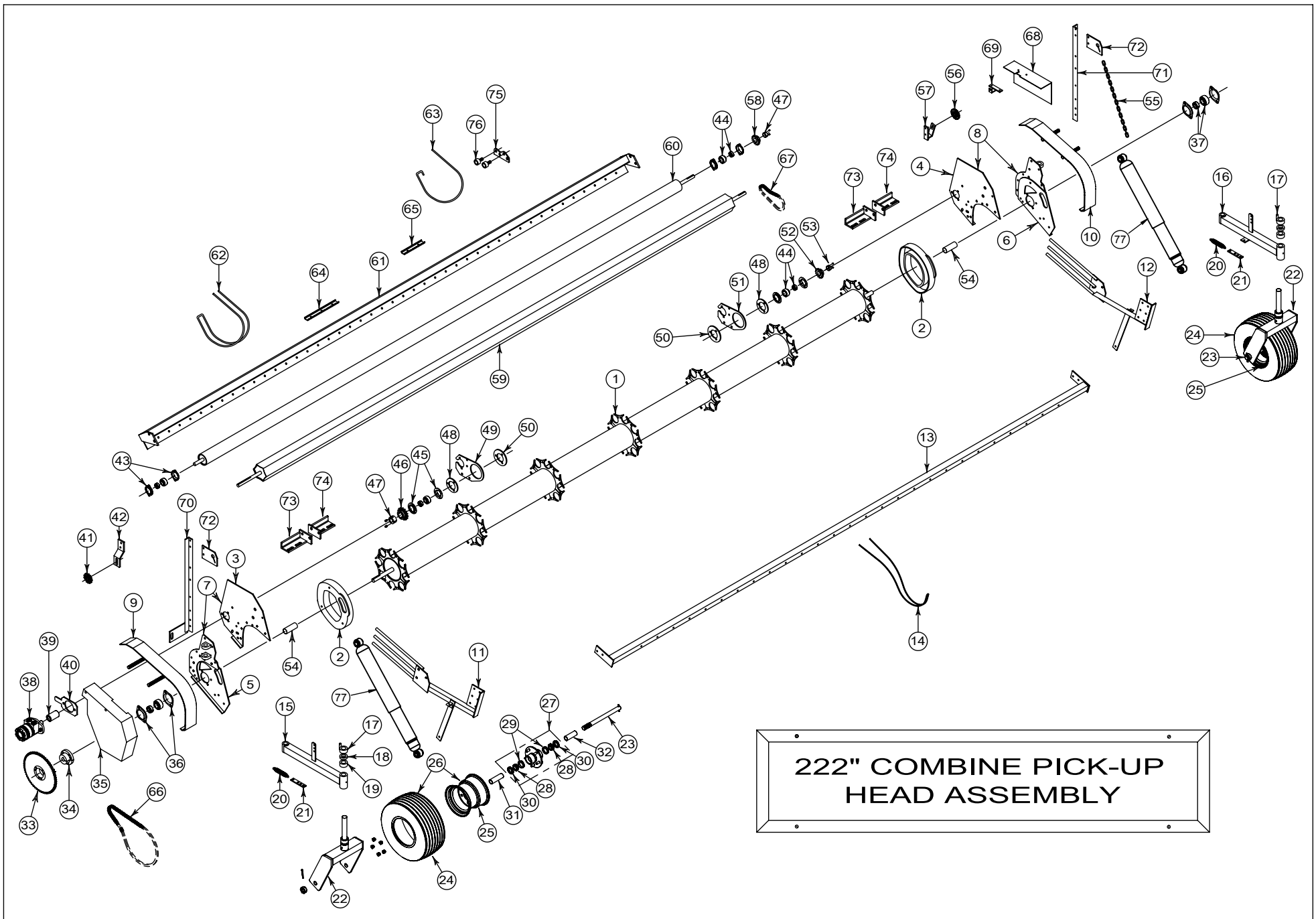
PICKUP HEAD ASSEMBLY 222" Model (1994–1996)

Parts List

<u>Item No.</u>	<u>Part No.</u>	<u>Description</u>
1.	103044	Cam Arm
2.	102015	Bearing, Cam Arm
3.	119070	Shaft, L.H. Short Finger Rod Stub
4.	119068	Shaft, L.H. Long Finger Rod Stub
5.	119071	Shaft, R.H. Short Finger Rod Stub
6.	119069	Shaft, R.H. Long Finger Rod Stub
7.	106000	Finger, Rubberized—208 Per machine
8.	900859	Center Spider Stub Shaft—Short
9.	900858	Center Spider Stub Shaft—Long
10.	900857	Coupler, Finger Rod
11.	106013	Flangett, 2-Hole
12.	102005	Bearing, 1" Insert with Lock Collar
13.	900709	Spacer, Pickup Head
14.	103001	Cam, R.H. Track
15.	103000	Cam, L.H. Track
16.	940181	Rotor Rod Mount
17.	900946	Pickup Tube with 7 Spiders
18.	901292	Hex Roller
19.	901291	4" Roller
Not Shown	900945	Complete Pickup Head Assembly
21.	900860	Two Hole End Spider (sold in pairs)
22.	900861	Four Hole Center Spider (sold in pairs)
23.	940197	4" Roller Bearing Mount Plate
24.	940191	Knife Mount, Long
Not Shown	940190	Knife Mount, Short
25.	102080	Roller Carrier Bearing
26.	900940	Finger Rod, 29 ³ / ₈ "—4 Required per P.U.H.
27.	900897	Finger Rod, 33 ³ / ₈ "—12 Required per P.U.H.
28.	900866	Finger Rod, 37 ³ / ₈ "—8 Required per P.U.H.

Hardware List

<u>Item No.</u>	<u>Part No.</u>	<u>Description</u>
A.		7/16" × 3" NC Hex Bolt—Grade 8
B.		7/16" NC Nyloc Hex Nut
C.		1" SAE Flat Washer
D.		5/8" NF Jam Nut
E.		5/8" Shim Washer
F.		5/16" × 1½" NC Hex Bolt—Grade 5 (For use on fingers only)
G.		5/16" NC Whiz Nut
H.		5/16" × 1½" NC Hex Bolt—Grade 8 (For use on all couplers and stub shafts)



222" COMBINE PICK-UP HEAD ASSEMBLY

222" (20 ft.) COMBINE PICK UP HEAD, (1997–Present)**(1¼" PUH Bearings)****Parts List**

<u>Item No.</u>	<u>Part No.</u>	<u>Qty.</u>	<u>Description</u>
1.	940388	1	8-Tube Pick Up Head (See pages 14–17 for breakdown)
1a.	900945-97		4-Tube Pick Up Head (Not Shown) (See pages 12-13 for breakdown)
2.	103096	2	Cam Track, Universal
3.	901405	1	R.H. Rear Side Plate
4.	901406	1	L.H. Rear Side Plate
5.	940395	1	R.H. Front Side Plate (1¼" PUH Bearings)
6.	940396	1	L.H. Front Side Plate (1¼" PUH Bearings)
7.	940402	1	Complete R.H. Side Plate Assembly (includes items 3 & 5)
8.	940403	1	Complete L.H. Side Plate Assembly (includes items 4 & 6)
9.	900414	1	R.H. Roller Shroud
10.	900413	1	L.H. Roller Shroud
11.	940270	1	R.H. Side Plate Deflector Rod
12.	940269	1	L.H. Side Plate Deflector Rod
13.	940314	1	Hold Down Rod Mount Bracket
14.	118002	37	Hold Down Rod
15.	940501★	1	R.H. Gauge Wheel Arm (Requires swivel pin # 940292) (2000–Present)
15a.	940280★		R.H. Gauge Wheel Arm (Requires swivel pin # 940292) (1997–1999)
16.	940502★	1	L.H. Gauge Wheel Arm (Requires swivel pin # 940292) (2000–Present)
16a.	940295★		L.H. Gauge Wheel Arm (Requires swivel pin # 940292) (1997–1999)
17.	940505★	2	Spring Mount Lock Bushing (2000–Present)
17a.	940017★		Spring Mount Lock Bushing (1997–1999)
18.	940506★	2	Wheel Mount Spacer (½") (2000–Present)
18a.	940013★		Wheel Mount Spacer (½") (1997–1999)
19.	940507★	6	Wheel Mount Spacer (1") (2000–Present)
19a.	940014★		Wheel Mount Spacer (1") (1997–1999)
20.	119060	2	Wheel Mount Spring
21.	940018	2	Wheel Fork Spring Mount
22.	940500★	2	Wheel Fork Assembly (Wide Frame) (2000–Present)
22a.	940405★		Wheel Fork Assembly (Wide Frame) (1999 only)
22b.	940175★		Wheel Fork Assembly (Narrow Frame) (1997–1998)
23.	990080	2	Wheel Fork Axle (Requires 1" NF Castellated Hex Nut & ¼" Roll Pin) (1999–Present)
23a.	940177		Wheel Fork Axle (Requires 1" NF Castellated Hex Nut & ¼" Roll Pin) (1997–1998)
24.	120000	2	Tire (18 x 9.5—8) (1999–Present)
24a.	120010		Tire (4 x 8) (1997–1998)
25.	123018	2	Steel Wheel 8 x 7 (5 on 4.5) (use bushing nos. 990137 & 990138) (1999–Present)
25a.	123016		Steel Wheel 8 x 4 (5 on 4.5) (use bushing nos. 940178 & 940179) (1997–1998)
26.	123019	2	Wheel Assembly (Complete) (items: 24 & 25) (1999–Present)
26a.	123017		Wheel Assembly (Complete) (items: 24a & 25a) (1997–1998)
27.	108136	2	Straddle Hub (used with items: 28, 29, & 30)
28.	102001	4	1" Straddle Hub Bearing cone

222" (20 ft.) COMBINE PICK UP HEAD, (1997–Present)**(1¼" PUH Bearings)****Parts List**

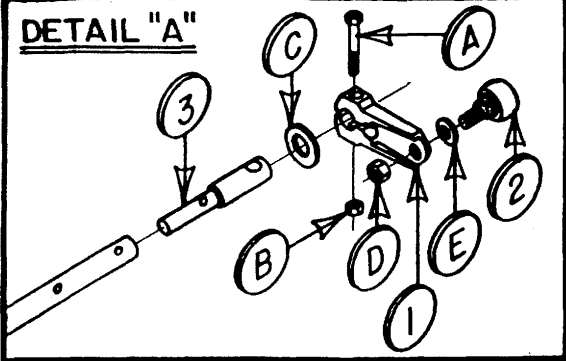
<u>Item No.</u>	<u>Part No.</u>	<u>Qty.</u>	<u>Description</u>
29.	102002	4	1" Straddle Hub Bearing cup
30.	119024	4	Hub Seal
31.	990137	2	Bushing, Spacer 4 1/8" long
32.	990138	2	Bushing, Spacer 3 9/16" long
33.	119148	1	Sprocket, 50SK60 Taper Lock
34.	119159	1	Bushing, 1¼" Taper Lock Hub
35.	900316	1	50 Chain Guard
36.	106050	2	Flangette, 2-hole (72 MST)
37.	102060	2	Bearing, 1¼" Insert (w/lock collar)
38.	113023	1	Hydraulic Motor (MF Series)
38a.	119109		Seal Kit for Item 38
39.	103017	1	1" x 3" Split Coupler
40.	900225	1	Hydraulic Motor Mount
41.	119010	1	Idler Sprocket, (50 x 13 x 5/8")
42.	900334	1	50 Idler Sprocket Mount
43.	106013	2	Flangette, Housing (2-hole)
44.	102005	4	Bearing, 1" Insert with Lock Collar
45.	106004	2	Flangette, Housing (3-hole)
46.	119166	1	Sprocket, 50BTB15H Taper Lock
47.	119163	2	Bushing, 1210 x 1 KW Taper Lock
48.	940668	2	Hinge Spacer (2016 – Present)
48a.	900570	2	Hinge Spacer (1997 – 2015)
49.	940666	1	R.H. End Hinge Bracket (2016 – Present)
49a.	940293	1	R.H. End Hinge Bracket (1997 – 2015)
50.	900571	2	Hinge Lock
51.	940665	1	L.H. End Hinge Bracket (2016 – Present)
51a.	940002	1	L.H. End Hinge Bracket (1997 – 2015)
52.	119170	1	Sprocket 40TBT17H Taper lock (2013 – Present)
52a.	119169	1	Sprocket, 40BTB30H Taper lock (1997 – 2012)
53.	119163	1	Bushing, 1210 x 1 KW Taper lock (2013 – Present)
53a.	119164	1	Bushing, 1610 x 1 KW Taper lock (1997 – 2012)
54.	901484	2	Spacer, Pick Up Head (3 ²⁹ / ₃₂ " lg.)
55.	103036	2	Lift Chain, 1/4"
56.	119005	1	Idler Sprocket, (40 x 17 x 1/2")
57.	940170	1	40 Idler Sprocket Mount
58.	119170	1	Sprocket, 40BTB17H Taper Lock
59.	901292	1	Hex Roller
60.	901291	1	4" Roller
61.	940181	1	Rotor Rod Mount
62.	118015	55	Rotor Rod

222" (20 ft.) COMBINE PICK UP HEAD, (1997–Present)**(1¼" PUH Bearings)****Parts List**

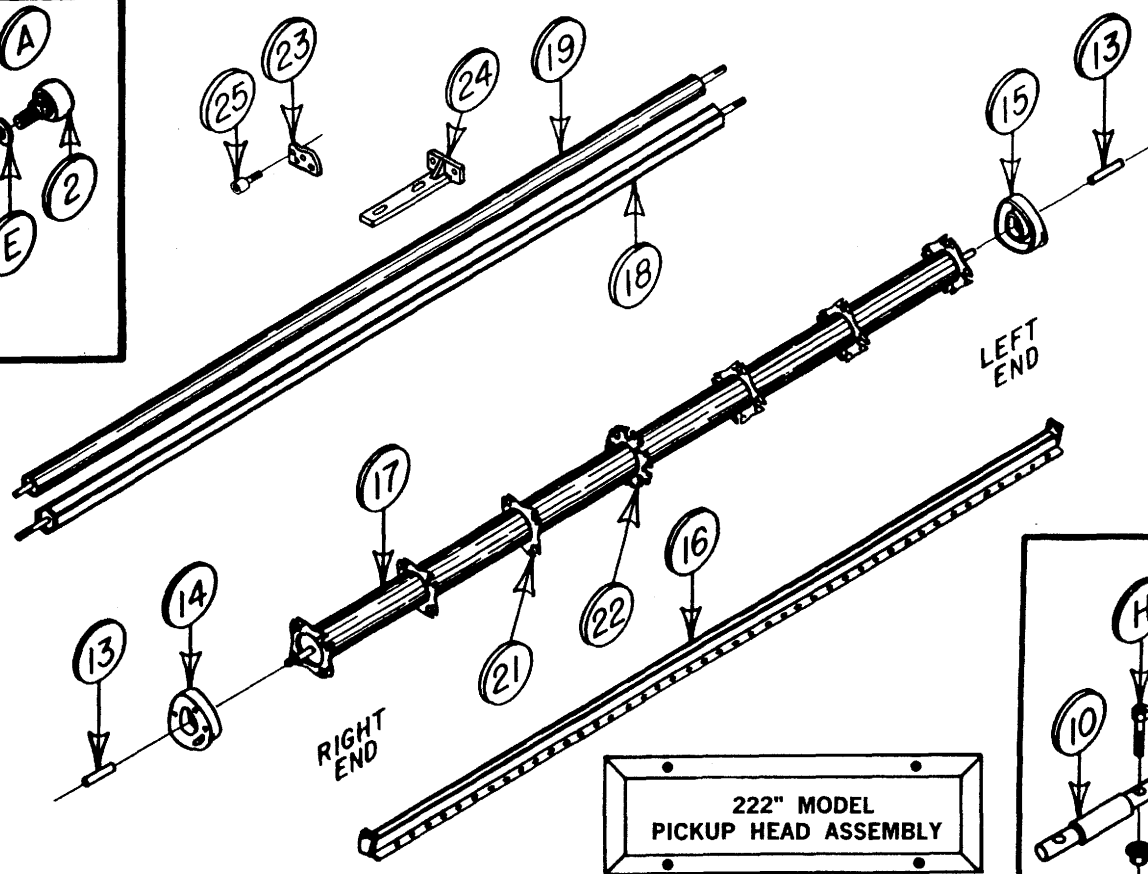
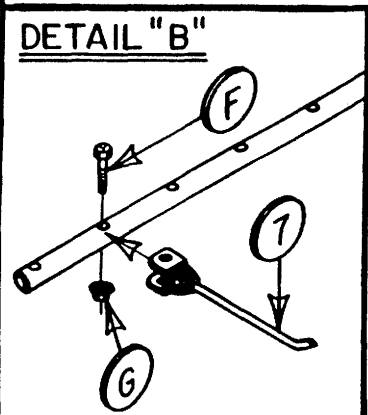
<u>Item No.</u>	<u>Part No.</u>	<u>Qty.</u>	<u>Description</u>
63.	118016	1	Rotor Rod (L.H. End Only)
64.	103023	18	Rotor Rod Clip (3-hole)
65.	103024	1	Rotor Rod Clip (2-hole) (R.H. End Only)
66.	103012	1	50 Chain (80 pins or 40 links)
67.	103199	1	40 Chain (40 pins or 20 links) (2013 – Present)
67a.	103105	1	40 Chain (47 pins or 23 1/2 links) (2000 – 2012)
68.	940300	1	40 Chain Guard
69.	940304	1	40 Chain Guard Mount
70.	940054-97	1	Upright Angle, R.H. (1997–Present)
71.	940053	1	Upright Angle, L.H. (All Models)
72.	940052	2	Upper Chain Bracket
73.	940265-R	2	R.H Knife Support Bracket
74.	940265-L	2	L.H. Knife Support Bracket
75.	940197	1	4" Roller Bearing Mount Plate (optional)
76.	102080	2	Roller Carrier Bearing (optional)
77.	119348	2	Shock, Gas Charged (2013 – Present)

★ When ordering parts verify year and wheel fork assembly shaft size. 1997–1999 the wheel fork pivot shaft is 1 3/16". 2000–present the wheel fork pivot shaft is 1 1/4".

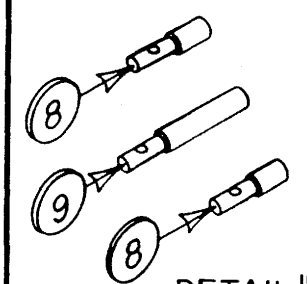
DETAIL "A"



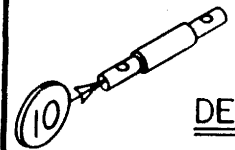
DETAIL "B"



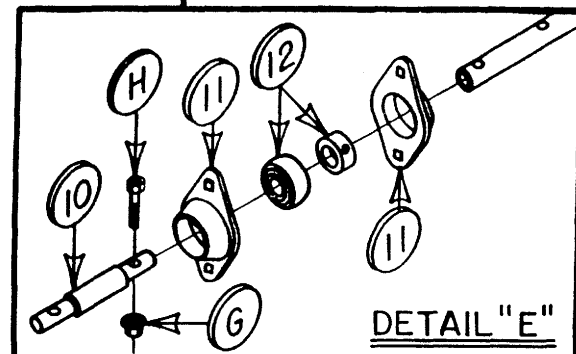
DETAIL "C"



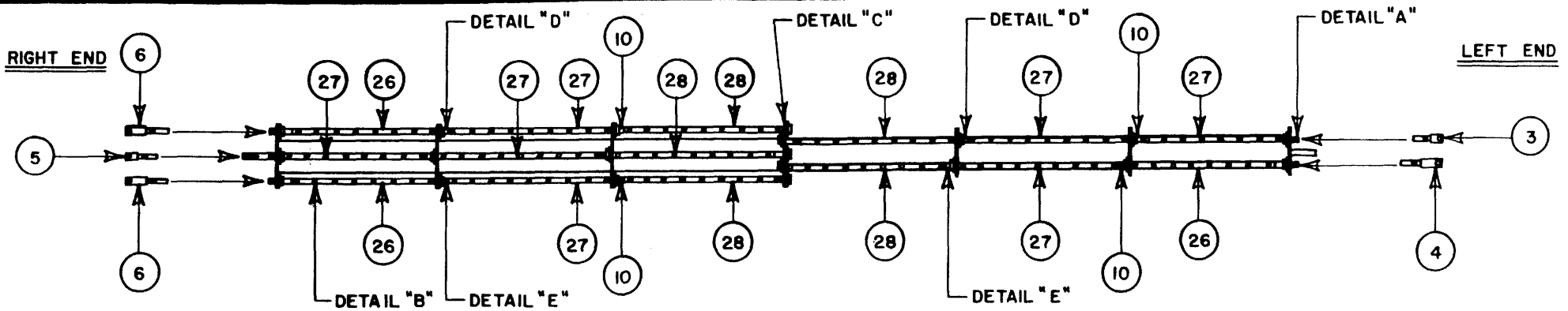
DETAIL "D"



DETAIL "E"



RIGHT END



LEFT END

4-TUBE PICKUP HEAD ASSEMBLY 222" MODEL (1997–Present)

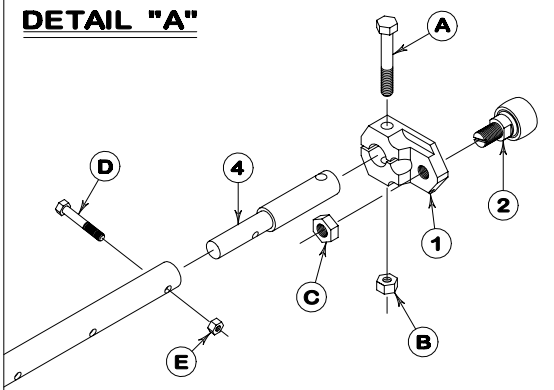
Parts List

<u>Item No.</u>	<u>Part No.</u>	<u>Description</u>
1.	103095	Cam Arm (Universal)
2.	102015	Bearing, Cam Arm
3.	119137	Shaft, L.H. Short Finger Offset
4.	119135	Shaft, L.H. Long Finger Offset
5.	119136	Shaft, R.H. Short Finger Offset
6.	119134	Shaft, R.H. Long Finger Offset
7.	106000	Finger, Rubberized—220 Per machine
8.	900859	Center Spider Stub Shaft—Short
9.	900858	Center Spider Stub Shaft—Long
10.	900857	Coupler, Finger Rod
11.	106013	Flangett, 2-Hole
12.	102005	Bearing, 1" Insert with Lock Collar
13.	901484	Spacer, Pickup Head (3 ²⁹ / ₃₂ " Lg.) (1 ¹ / ₄ " I.D.)
14.	103096	Cam, Track (Universal)
15.	103096	Cam, Track (Universal)
16.	940181	Rotor Rod Mount
17.	900946	Pickup Tube with 7 Spiders (1 ¹ / ₄ " PUH Bearings)
18.	901292	Hex Roller
19.	901291	4" Roller
Not Shown	900945-97	Complete Pickup Head Assembly (1 ¹ / ₄ "PUH Bearings)
21.	900860	Two-Hole End Spider (sold in pairs)
22.	900861	Four-Hole Center Spider (sold in pairs)
23.	940197	4" Roller Bearing Mount Plate
24.	940265	Knife Support Bracket, Universal
25.	102080	Roller Carrier Bearing
26.	900940	Finger Rod, 29 ³ / ₈ "—4 Required per P.U.H.
27.	900897	Finger Rod, 33 ³ / ₈ "—12 Required per P.U.H.
28.	900866	Finger Rod, 37 ³ / ₈ "—8 Required per P.U.H.

Hardware List

<u>Item No.</u>	<u>Part No.</u>	<u>Description</u>
A.		7/16" × 3" NC Hex Bolt—Grade 8
B.		7/16" NC Nyloc Hex Nut
C.		1" SAE Flat Washer
D.		5/8" NF Jam Nut
E.		5/8" Shim Washer (optional)
F.		5/16" × 1 ¹ / ₂ " NC Hex Bolt—Grade 5 (for use on fingers only)
G.		5/16" NC Whiz Nut
H.	106051	5/16" × 2" NF Hex Bolt—Grade 9 (for use on all couplers and stub shafts)
Ha.	106051	5/16" NF Stover Nut—Grade 9 (sold as a set with bolt)

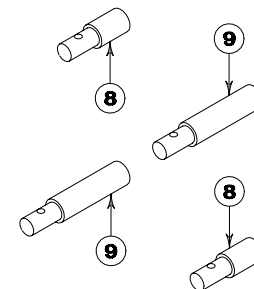
DETAIL "A"



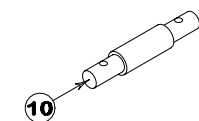
FINGER RODS REQUIRED PER (222-3/16") 8 TUBE P-U HEAD

(16 REQ'D)	37-3/8"	(10 HOLES)	900866
(24 REQ'D)	33-3/8"	(9 HOLES)	900897
(8 REQ'D)	29-3/8"	(8 HOLES)	900940

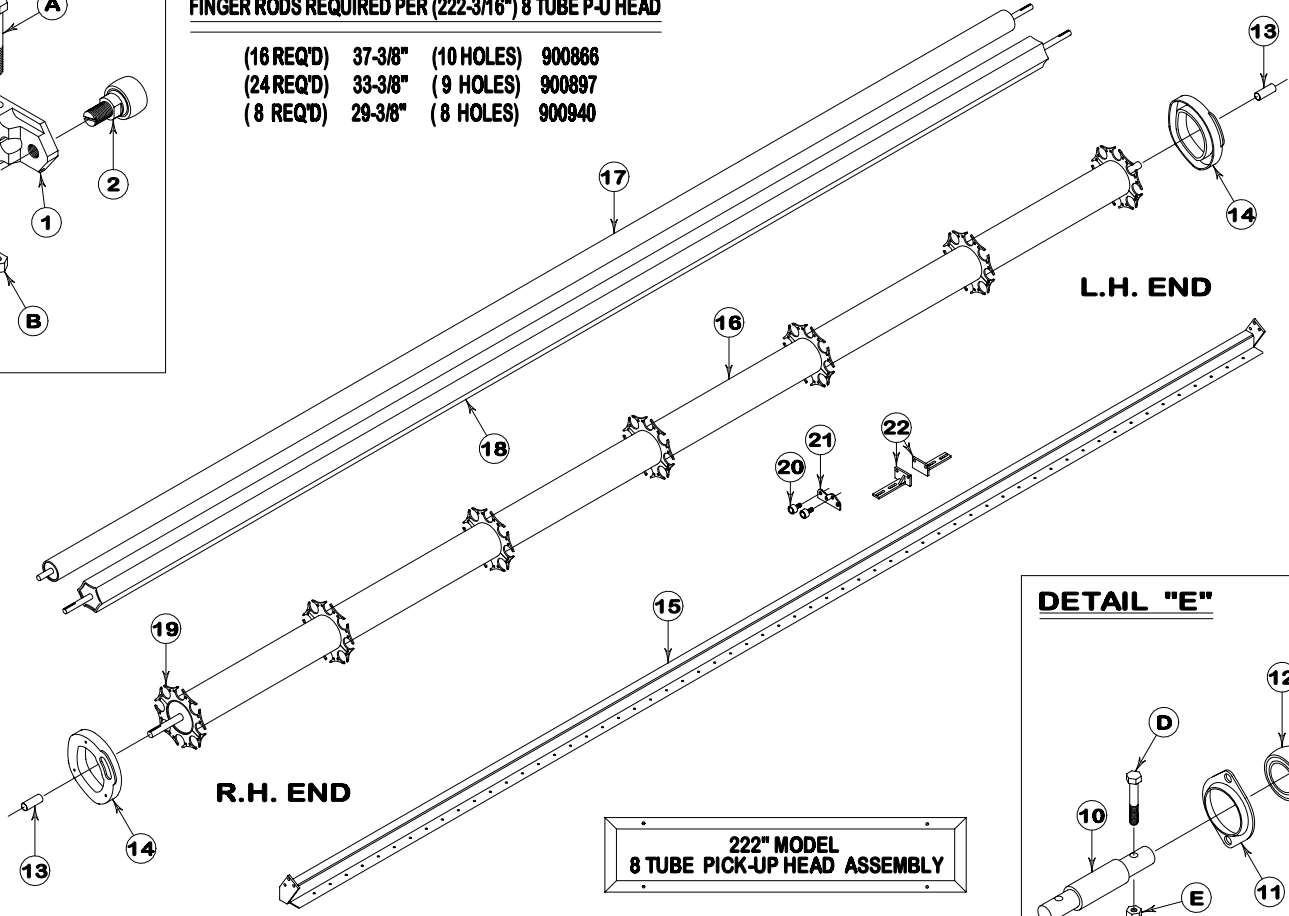
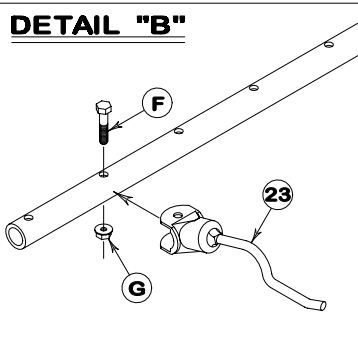
DETAIL "C"



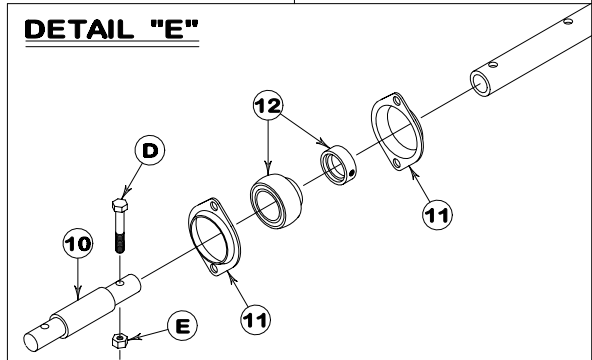
DETAIL "D"



DETAIL "B"



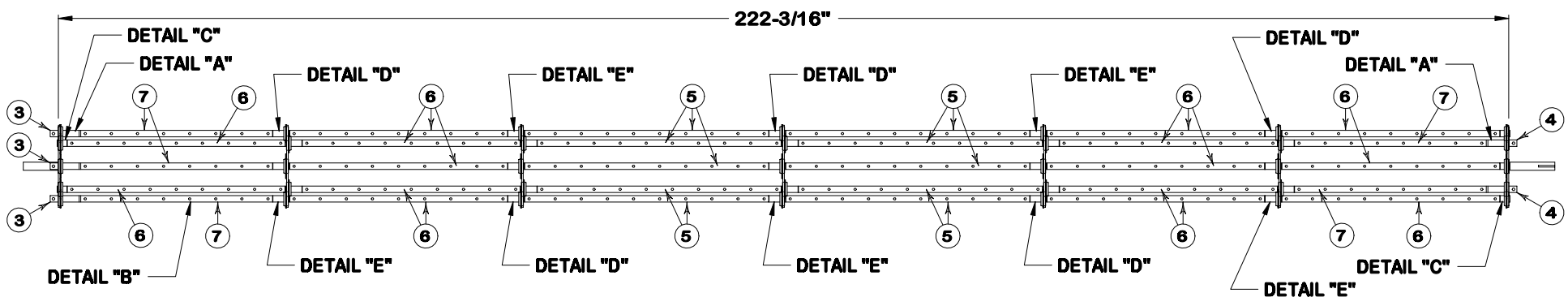
DETAIL "E"



**222" MODEL
8 TUBE PICK-UP HEAD ASSEMBLY**

L.H. END (NO KEY)

R.H. END (KEYED)



8-TUBE PICKUP HEAD ASSEMBLY (222" MODEL) 1997–2012

Parts List

<u>Item No.</u>	<u>Part No.</u>	<u>Qty</u>	<u>Description</u>
1.	103095	8	Cam Arm (Universal)
2.	102015	8	Bearing, Cam Arm
3.	119135	4	Shaft, L.H. Long Finger Offset
4.	119134	4	Shaft, R.H. Long Finger Offset
5.	900866	16	Finger Rod 37 ³ / ₈ " (10 holes)
6.	900897	24	Finger Rod 33 ³ / ₈ " (9 holes)
7.	900940	8	Finger Rod 29 ³ / ₈ " (8 holes)
8.	901412	8	End Spider Stub Shaft (short)
9.	901420	0	End Spider Stub Shaft (long)
10.	900857	40	Coupler, Finger Rod
11.	106013	56 pr.	Flangette, 2 Hole
12.	102005	56	Bearing, 1" Insert (with Lock Collar)
13.	901484	2	Spacer, Pickup Head (3 ²⁹ / ₃₂ " Lg.)
14.	103096	2	Cam Track (Universal)
15.	940181	1	Rotor Rod Mount (228 ¹ / ₂ "
16.	940387	1	Pickup Tube (with 7 Spiders) (222 ³ / ₁₆ "
17.	901291	1	4" Roller (226 ⁷ / ₈ "
18.	901292	1	Hex Roller (224 ³ / ₈ "
19.	900861	7	Eight Hole Spider
20.	102080	2	Roller Carrier Bearing
21.	940197	1	4" Roller Bearing Mount Plate
22.	940265	6	Knife Support Bracket, Universal
23.	106036	440	Finger, with radius (8-Tube Pickup Head)
Not Shown	940388	1	Complete 8-Tube Pickup Head Assembly (222 ³ / ₁₆ " (1 ¹ / ₄ " PUH Bearings)

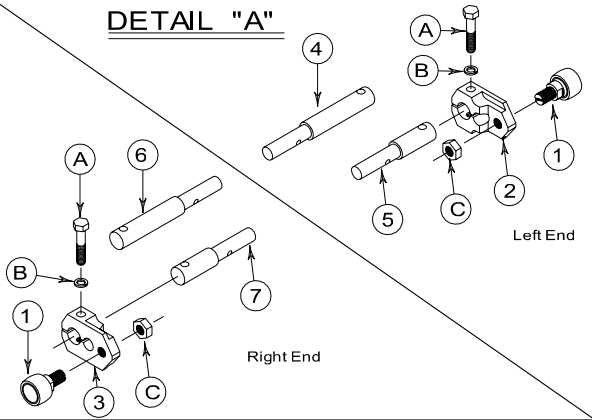
Roller Carriers

Not Shown	901450	1	1 ¹ / ₄ " Pickup Head Carrier (Drive-end keyed)
Not Shown	901451	1	1 ¹ / ₄ " Pickup Head Carrier (Idler-end no key)
Not Shown	900058	1	4" Roller Carrier (Drive-end keyed)
Not Shown	900059	1	4" Roller Carrier (Idler-end no key)
Not Shown	900062	1	Hex Roller Carrier (R.H. end 4 ³ / ₄ " keyway)
Not Shown	900063	1	Hex Roller Carrier (L.H. end 2 ¹ / ₂ " keyway)

Hardware List

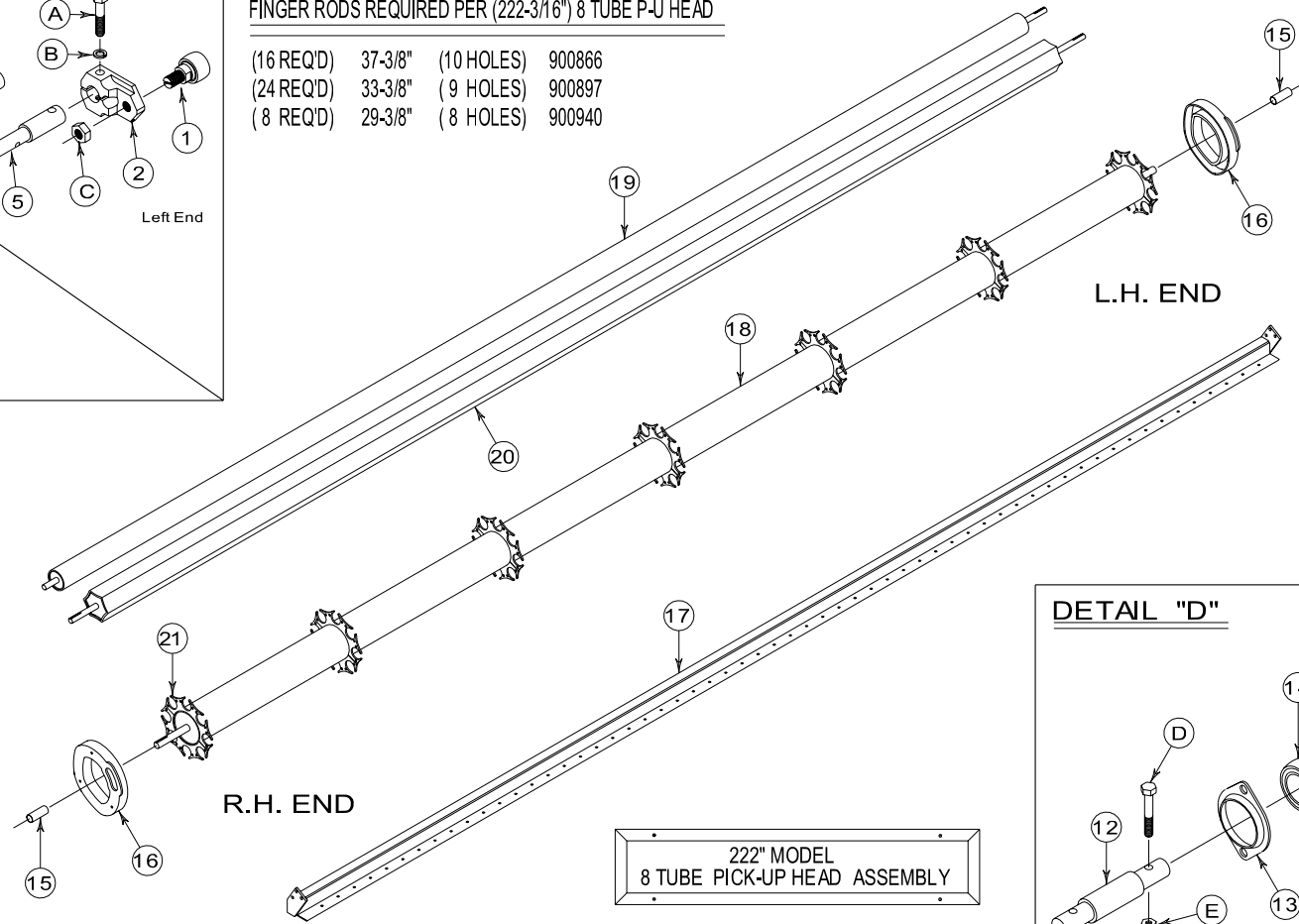
<u>Item No.</u>	<u>Part No.</u>	<u>Qty</u>	<u>Description</u>
A.	---	8	7/16" × 3" NC Hex Bolt–Grade 8
B.	---	8	7/16" NC Nylon Hex Nut
C.	---	8	5/8" NF Jam Nut
D.	106051	96	5/16" × 2" NF Hex Bolt–Grade 9 (sold as a set with nut)
E.	106051	96	5/16" NF Stover Nut–Grade 9 (sold as a set with bolt)
F.	---	344	5/16" × 1 ¹ / ₂ " NC Hex Bolt–Grade 5 (use on fingers only)
G.	---	344	5/16" NC Whiz Nut (use on fingers only)

DETAIL "A"

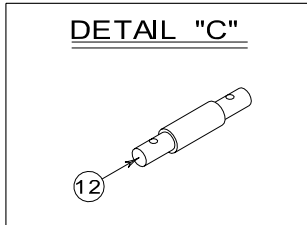


FINGER RODS REQUIRED PER (222-3/16") 8 TUBE P-J HEAD

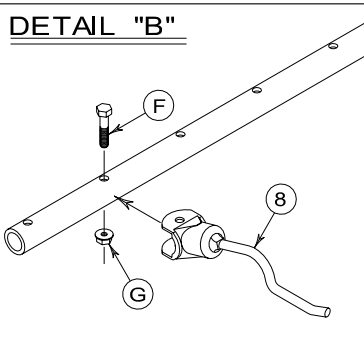
(16 REQ'D)	37-3/8"	(10 HOLES)	900866
(24 REQ'D)	33-3/8"	(9 HOLES)	900897
(8 REQ'D)	29-3/8"	(8 HOLES)	900940



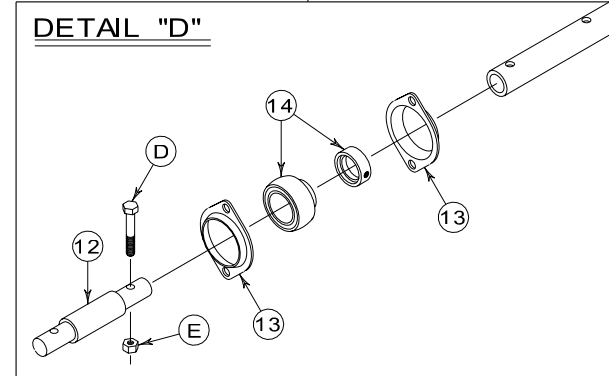
DETAIL "C"



DETAIL "B"

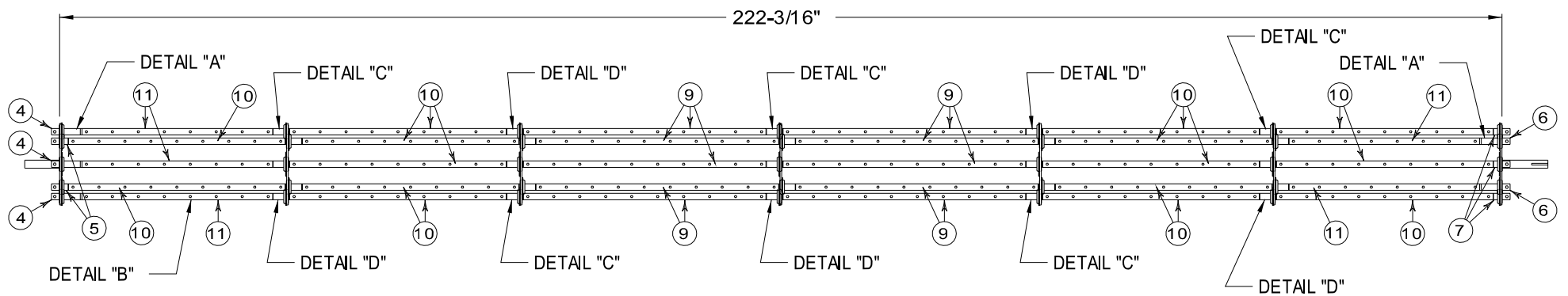


DETAIL "D"



L.H. END (NO KEY)

R.H. END (KEYED)



8 TUBE PICKUP HEAD ASSEMBLY 222" MODEL

Parts List

<u>Item No.</u>	<u>Part No.</u>	<u>Qty</u>	<u>Description</u>
1.	102015	16	Bearing, Cam Arm
2.	103095-LH	8	Cam Arm (Threaded)
3.	103095-RH	8	Cam Arm (Threaded)
4.	119135	4	Shaft, L.H. Long Finger Offset
5.	119137	4	Shaft, L.H. Short Finger Offset
6.	119134	4	Shaft, R.H. Long Finger Offset
7.	119136	4	Shaft, R.H. Short Finger Offset
8.	106036	440	Finger, with Radius (8-Tube Pickup Head)
8a.	106052	0	Finger, Soft (Optional)
9.	900866	16	Finger Rod 37 3/8" (10 holes)
10.	900897	24	Finger Rod 33 3/8" (9 holes)
11.	900940	8	Finger Rod 29 3/8" (8 holes)
12.	900857	40	Coupler, Finger Rod
13.	106013	56pr	Flangette, 2-Hole
14.	102005	56	Bearing, 1" Insert (w/Lock Collar)
15.	901484	2	Spacer, Pickup Head (3 29/32" Lg.)
16.	103096	2	Cam Track (Universal)
17.	900820	1	Rotor Rod Mount (228 3/8")
18.	940387	1	Pickup Tube (with 7 Spiders) (222 3/16")
19.	901291	1	4" Roller (226 7/8")
20.	901292	1	Hex Roller (224 3/8")
21.	900861	7	8-Hole Spider
Not Shown	940388	1	Complete 8-tube Pickup Head Assembly (222 3/16")

Roller Carriers

Not Shown	901450	1	Pickup Head Carrier (Drive-end keyed)
Not Shown	901451	1	Pickup Head Carrier (Idler-end no key)
Not Shown	900058	1	4" Roller Carrier (Drive-end keyed)
Not Shown	900059	1	4" Roller Carrier (Idler-end no key)
Not Shown	900062	1	Hex Roller Carrier (R.H. end 4 3/4" keyway)
Not Shown	900063	1	Hex Roller Carrier (L.H. end 2 1/2" keyway)

Hardware List

<u>Item No.</u>	<u>Part No.</u>	<u>Qty</u>	<u>Description</u>
A.		16	7/16" × 2 1/4" NF Hex Bolt–Grade 8
B.		16	7/16" Lock Washer
C.		16	5/8" NF Jam Nut
D.	106051	96	5/16" × 2" NF Hex Bolt–Grade 9 (sold as a set with nut)
E.	106051	96	5/16" NF Stover Nut–Grade 9 (sold as a set with bolt)
F.		344	5/16" × 1 1/2" NC Hex Bolt–Grade 5 (use on fingers only)
G.		344	5/16" NC Whiz Nut (use on fingers only)