

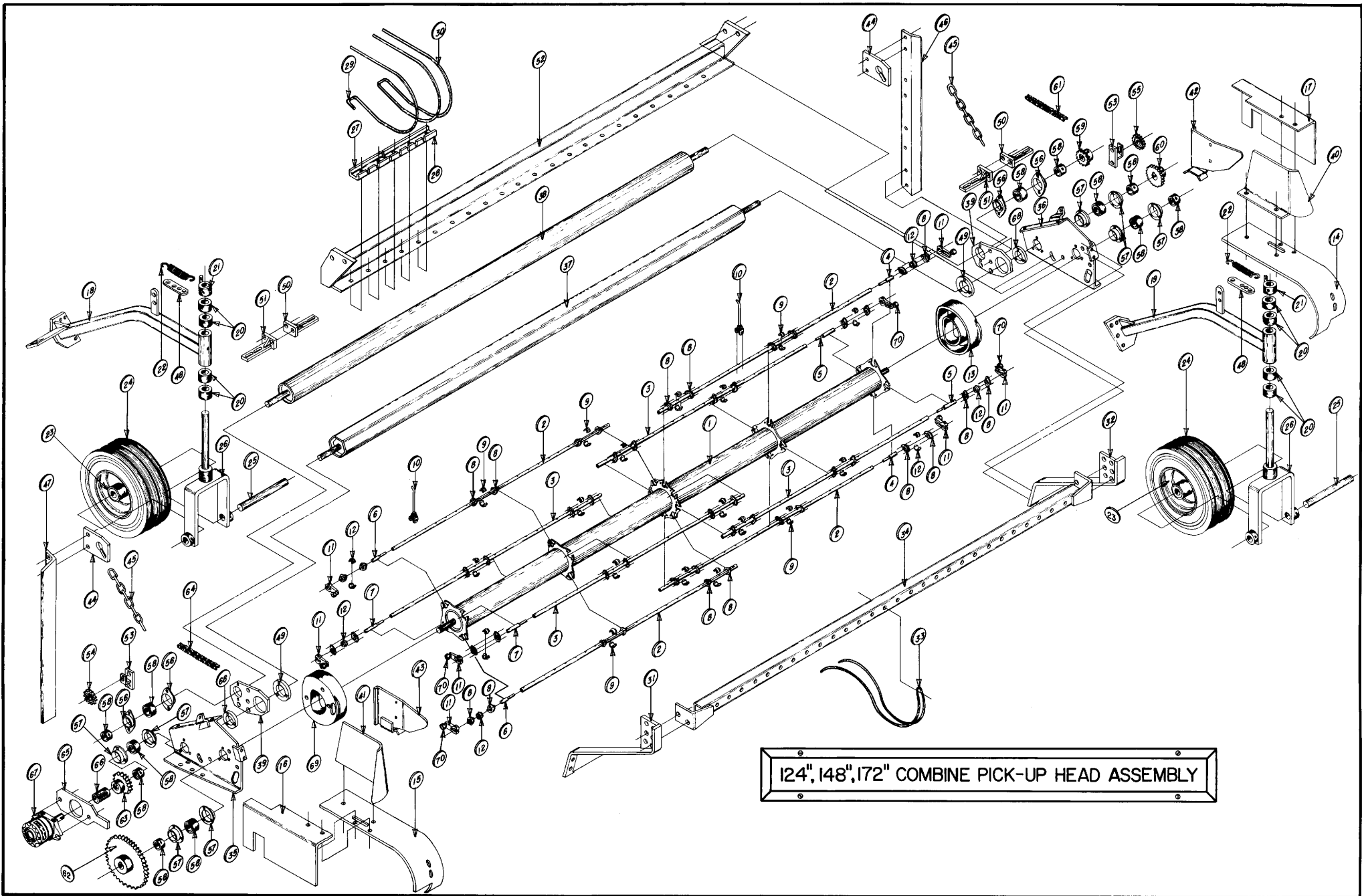
Combine Pickup Heads

124" Model

Section 1

Model Years 1991 – 1996	2-5
Pickup Head Layout 1994 – 1996	6-7
Model Years 1997 – 1999 (1" PUH Bearings).....	8-10
4 – Tube Pickup Head Layout 1997 – 1999.....	11-12
Model Years 2000 – Present (1 1/4" PUH Bearings)	13-15
8 – Tube Pickup Head Layout 1997 – 2014.....	16-17
8 – Tube Pickup Head Layout 2015 – Present	18-19

Return to this page by clicking the upper right corner of any page in this section.



124", 148", 172" COMBINE PICK-UP HEAD ASSEMBLY

124" COMBINE PICK UP HEAD (1991–1996)

Parts List

<u>Item No.</u>	<u>Part No.</u>	<u>Description</u>
1.	940057★	Pickup Head Tube with Spiders ♦
2.	940058★	62¾" Finger Rods—Long ♦
Not Shown	940141★	60¾" Finger Rods—Intermediate ♦
3.	940059★	58¾" Finger Rods—Short ♦
4.	119070	Left Pipe Ends—Short ♦
5.	119068	Left Pipe Ends—Long ♦
6.	119071	Right Pipe Ends—Short ♦
7.	119069	Right Pipe Ends—Long ♦
8.	106002	Flangette Housing, 2-Hole ♦
9.	102035	Center Bushing, 2 piece white ♦
10.	106000	Rubber Fingers
Not Shown	106034	Offset Rubber Fingers
11.	103044	Cam Arms
12.	102034	End Bushings, 1 piece black ♦
13.	103000	L.H. Cam Track
14.	940041	L.H. Straw Guard
15.	940042	R.H. Straw Guard
16.	940005	R.H. Chain Guard
17.	940006	L.H. Chain Guard
18.	940076	Wheel Mount Assembly, R.H. (Obsolete no. 940007) ♦♦
19.	940077	Wheel Mount Assembly, L.H. (Obsolete no. 940008) ♦♦
20.	940014	Wheel Mount Spacers, 1"
21.	940017	Spring Mount Lock Bushing
22.	119060	Wheel Mount Spring
23.	123016	Steel Wheel (Obsolete no. 123006) ♦♦
24.	120010	Tire 4" x 8"
Not Shown	123017	Wheel Assembly—Complete (items: 23 & 24)
Not Shown	108136	Straddle Hub (used with items: 23, 24, 25, 26)(use bushings 940178 & 940179)
Not Shown	102001	1" Straddle Hub Bearing cone (4 required)
Not Shown	102002	1" Straddle Hub Bearing cup (4 required)
Not Shown	119024	Hub Seal (4 required)
25.	940177	Wheel Fork Axle (Obsolete no. 940023) ♦♦
26.	940175	Wheel Fork Assembly (Obsolete no. 940090) ♦♦
27.	103024	Rotor Rod Clip, 2-Hole
28.	103023	Rotor Rod Clip, 3-Hole

124" COMBINE PICK UP HEAD (1991–1996)

Parts List

<u>Item No.</u>	<u>Part No.</u>	<u>Description</u>
29.	118016	Rotor Rod, Right End Only
30.	118015	Rotor Rod
31.	940043	Hold Down Mount Bracket, R.H.
32.	940044	Hold Down Mount Bracket, L.H.
33.	118002	Hold Down Rod
34.	940061	Hold Down Rod Mounting Brace Assembly
35.	940046	Support Assembly, R.H.
36.	940047	Support Plate Assembly, L.H.
37.	940062	Hex Roller Slinger Tube
38.	940063	Roller, 4"
39.	940002	End Hinge Plate
40.	940048	Front Shield, L.H.
41.	940049	Front Shield, R.H.
42.	940050	Rear Shield Assembly, L.H.
43.	940051	Rear Shield Assembly, R.H.
44.	940052	Upper Chain Bracket
45.	103039	Lift Chain, $\frac{3}{16}$ "
Not Shown	119120	Spring, Combine Pickup Head (used with item no.45)
46.	940053	Upright Angle, L.H.
47.	940054	Upright Angle, R.H.
48.	940018	Wheel Fork Spring Mount
49.	900571	Hinge Lock
50.	940028	Knife Support Assembly, LH Short (Not shown: 940167 Spacer Plate)
51.	940029	Knife Support Assembly, RH Long (Not shown: 940167 Spacer Plate)
52.	940064	Rotor Rod Mount Assembly
53.	900137	40 Idler Sprocket Bracket
54.	119010	50 Idler Sprocket, 13 Tooth, R.H.
55.	119005	40 Idler Sprocket, 17 Tooth, L.H.
56.	106013	Flangette Bearing Housing, 2-Hole
57.	106004	Flangette Housing, 3-Hole
58.	102005	Bearing Insert with Lock Collar 1"
59.	119004	Rear 4" Roller Drive Sprocket–15 tooth
60.	119003	Hex Slinger Tube Power Transfer Sprocket–26 tooth
61.	103007	40 Chain, 45 Pins or 22 Links
62.	119008	Pickup Head Drive Sprocket–60 tooth
63.	119006	Hex Slinger Tube Drive Sprocket–15 tooth
64.	103012	50 Chain, 80 Pins or 40 Links
65.	900225	Hydraulic Motor Mount
66.	103017	1" x 3" Split Coupler
67.	113023	Hydraulic Motor Replace 113008

124" COMBINE PICK UP HEAD (1991–1996)

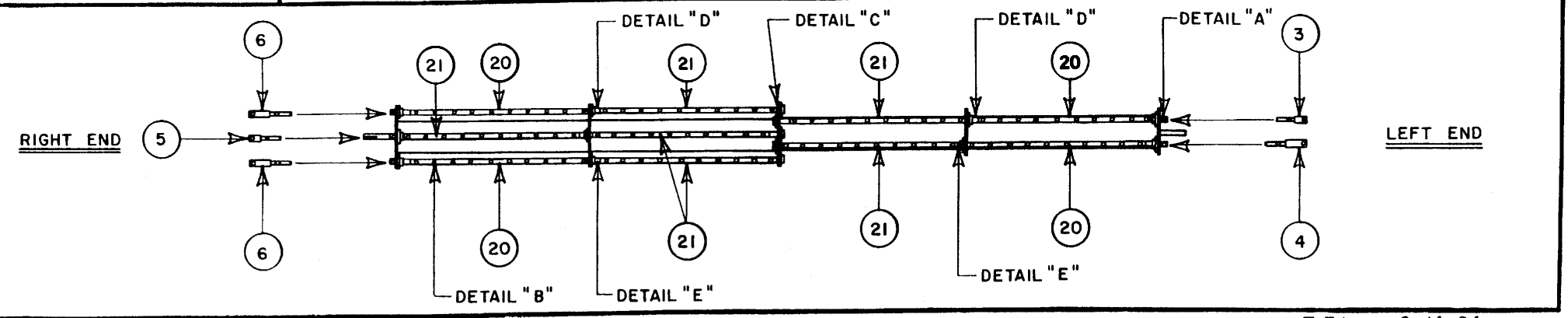
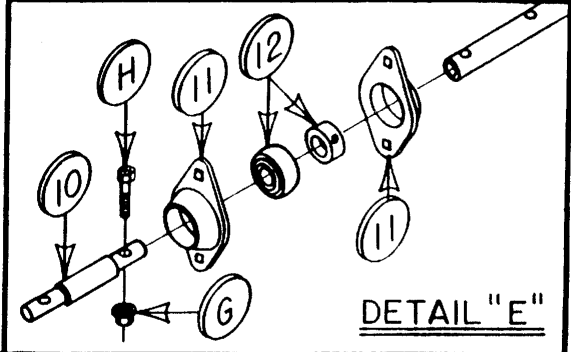
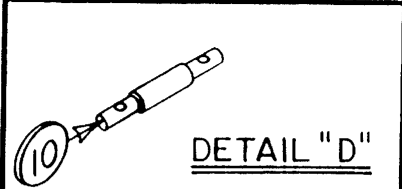
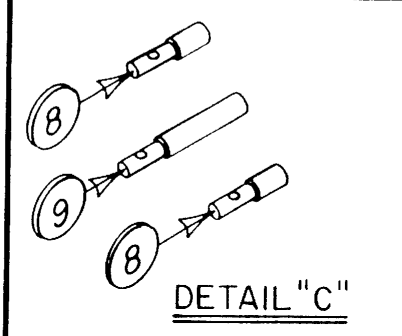
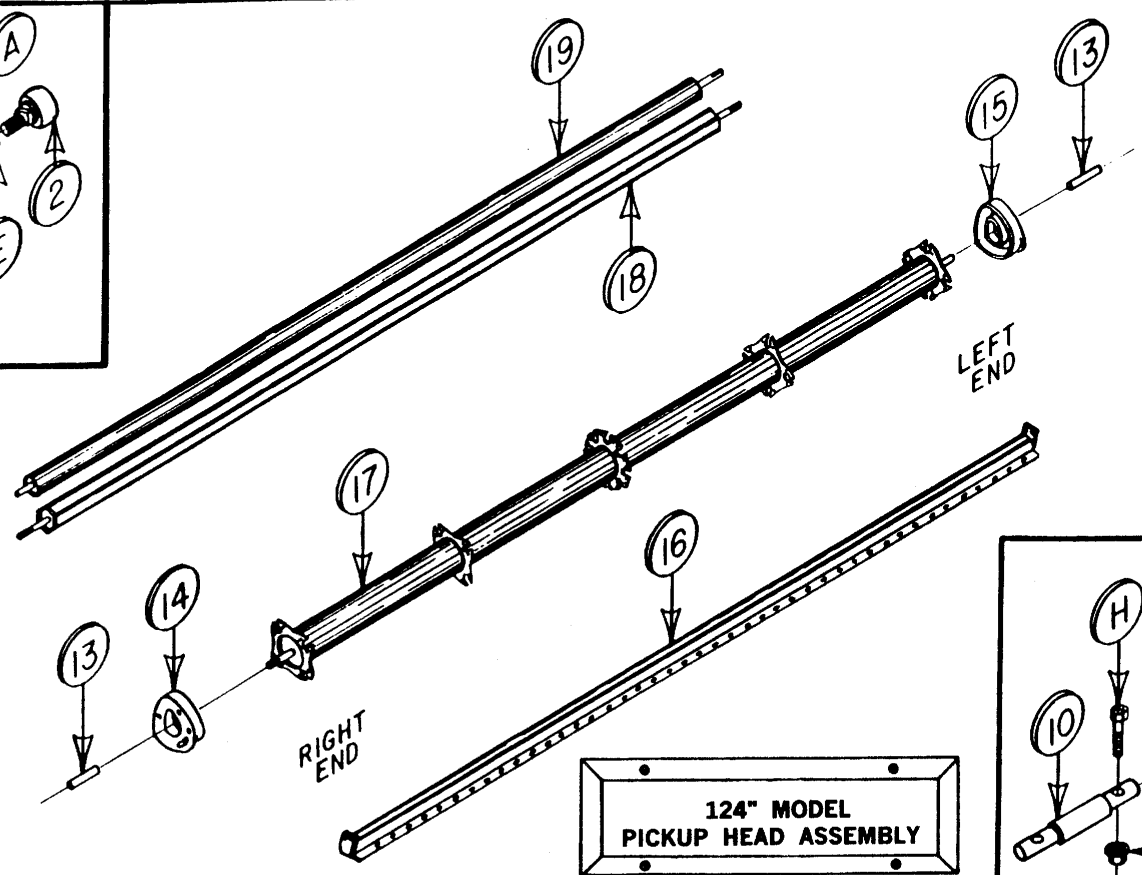
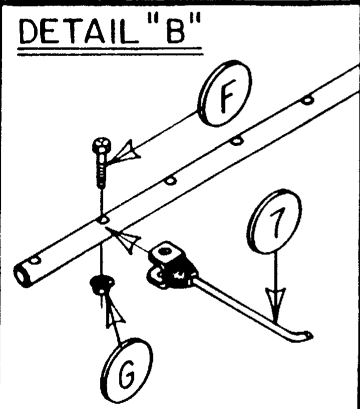
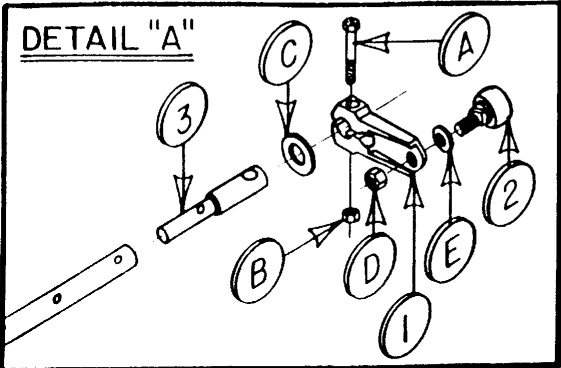
Parts List

<u>Item No.</u>	<u>Part No.</u>	<u>Description</u>
68.	900570	Hinge Spacer
69.	103001	Cam, Track, R.H.
70.	102015	Cam Arm Roller Bearing
Not Shown	940075	Complete Pickup Head Assembly ♦ (Replaced by 940160)

★ This part is manufactured on a built-to-order basis only. Call Pickett Equipment for availability and lead-time.

♦ Pickup Head parts noted are for use on 1991–1993 pickup heads only. See pickup head layout, page 8 and 9 of this section, for 1994–1996 pickup head part information.

♦♦ For obsolete part conversion information contact Pickett Equipment or your local dealer.



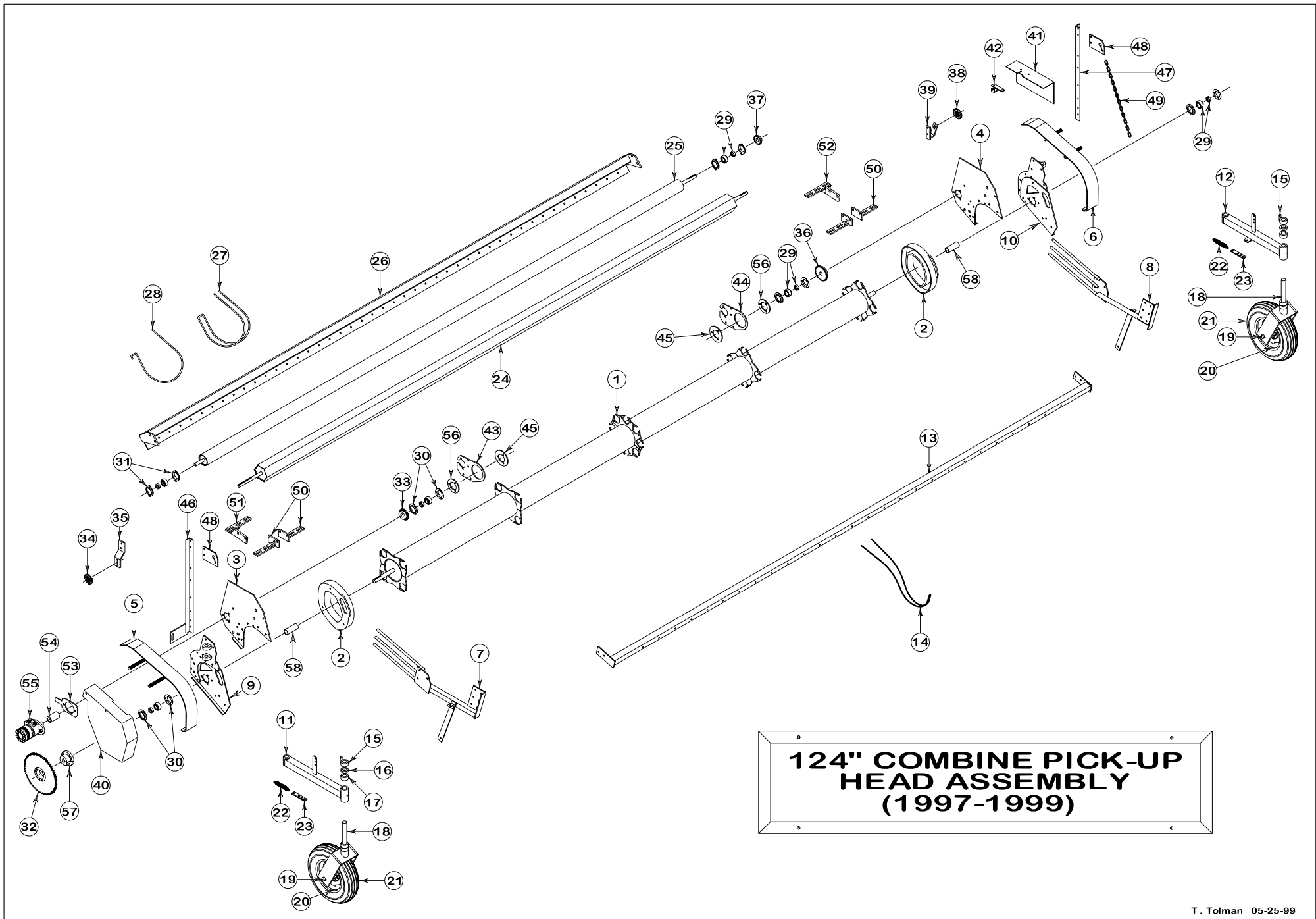
PICK UP HEAD ASSEMBLY 124" Model, (1994–1996)

Parts List

<u>Item No.</u>	<u>Part No.</u>	<u>Description</u>
1.	103044	Cam Arm
2.	102015	Bearing, Cam Arm
3.	119070	Shaft, L.H. Short Finger Rod Stub
4.	119068	Shaft, L.H. Long Finger Rod Stub
5.	119071	Shaft, R.H. Short Finger Rod Stub
6.	119069	Shaft, R.H. Long Finger Rod Stub
7.	106000	Finger, Rubberized
8.	900859	Center Spider Stub Shaft—Short
9.	900858	Center Spider Stub Shaft—Long
10.	900857	Coupler, Finger Rod
11.	106013	Flangett, 2-Hole
12.	102005	Bearing, 1" Insert with Lock Collar
13.	900709	Spacer, Pickup Head
14.	103001	Cam, R.H. Track
15.	103000	Cam, L.H. Track
16.	940064	Rotor Rod Mount
17.	940159	Pickup Tube with 5 spiders
18.	940062	Hex Roller
19.	940063	4" Roller
20.	900985	Finger Rod 25 ³ / ₈ ", 6 required per P.U.H.
21.	900940	Finger Rod 29 ³ / ₈ ", 10 required per P.U.H.
Not Shown	940160	Complete Pickup Head Assembly
Not Shown	900860	Two-Hole End Spider (sold in pairs)
Not Shown	900861	Four-Hole Center Spider (sold in pairs)

Hardware List

<u>Item No.</u>	<u>Part No.</u>	<u>Description</u>
A.		7/16" × 3" NC Hex Bolt—Grade 8
B.		7/16" NC Nyloc Hex Nut
C.		1" SAE Flat Washer
D.		5/8" NF Jam Nut
E.		5/8" Shim Washer
F.		5/16" × 1½" NC Hex Bolt—Grade 5 (For use on Fingers only)
G.		5/16" NC Whiz Nut
H.		5/16" × 1½" NC Hex Bolt—Grade 8 (For use on all couplers and stub shafts)



**124" COMBINE PICK-UP
HEAD ASSEMBLY
(1997-1999)**

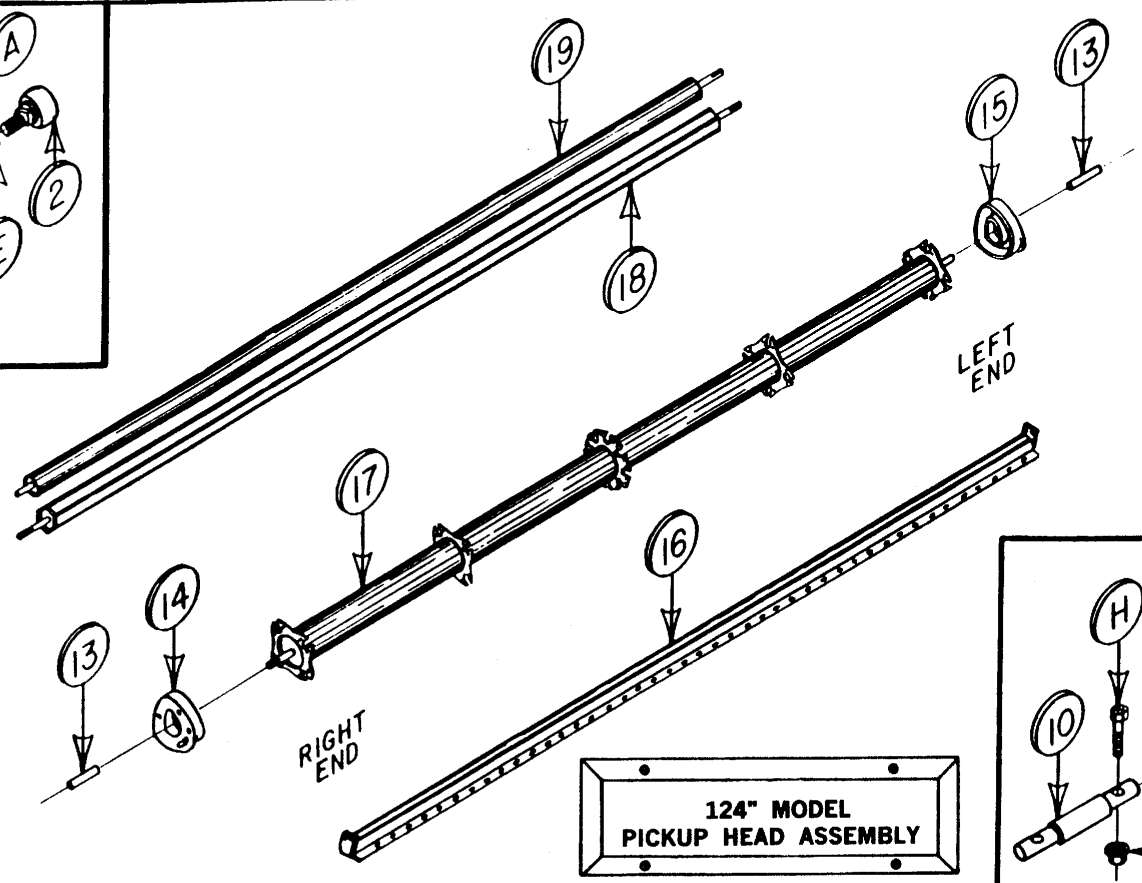
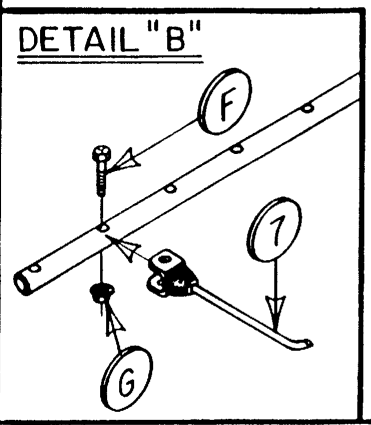
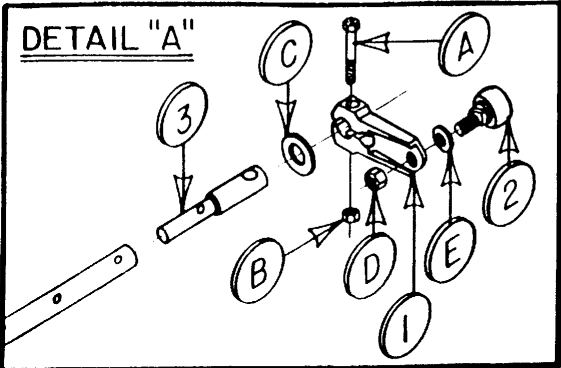
124" (12 ft.) COMBINE PICKUP HEAD (1997–1999)**(1" PUH Bearings)****Parts List**

Item No.	Part No.	Description
1.	940160-97	4-Tube Pickup Head (See pages 11-12) (1" PUH bearings)
1a.	940378	8-Tube Pickup Head (Not Shown) (See pages 16–17) (1" PUH bearings)
2.	103096	Cam Track, Universal
3.	901405	R.H. Rear Side Plate*
4.	901406	L.H. Rear Side Plate*
5.	900414	R.H. Roller Shroud
6.	900413	L.H. Roller Shroud
7.	940270	R.H. Side Plate Deflector Rod
8.	940269	L.H. Side Plate Deflector Rod
9.	940359	R.H. Front Side Plate (1" PUH bearings)
10.	940360	L.H. Front Side Plate (1" PUH bearings)
11.	940280★	R.H. Gauge Wheel Arm (Requires swivel pin # 940292)
12.	940295★	L.H. Gauge Wheel Arm (Requires swivel pin # 940292)
13.	940305	Hold Down Rod Mount Bracket
14.	118002	Hold Down Rod
15.	940017★	Spring Mount Lock Bushing
16.	940013★	Wheel Mount Spacer (½")
17.	940014★	Wheel Mount Spacer (1")
18.	940405★	Wheel Fork Assembly (Wide Frame) (1999 only)
18a.	940175★	Wheel Fork Assembly (Narrow Frame) (1997–1998)
19.	990080	Wheel Fork Axle (Requires 1" NF Castellated Hex Nut & ¼" Roll Pin) (1999–Present)
19a.	940177	Wheel Fork Axle (Requires 1" NF Castellated Hex Nut & ¼" Roll Pin) (1997–1998)
20.	123018	Steel Wheel 8 x 7 (5 on 4.5) (use bushing nos. 990137 & 990138) (1999–Present)
20a.	123016	Steel Wheel 8 x 4 (5 on 4.5) (use bushing nos. 940178 & 940179) (1997–1998)
Not Shown	108136	Straddle Hub (used with items: 18, 19, 20, 21)
Not Shown	102001	1" Straddle Hub Bearing cone (4 required)
Not Shown	102002	1" Straddle Hub Bearing cup (4 required)
Not Shown	119024	Hub Seal (4 required)
21.	120000	Tire (18 x 9.5—8) (1999–Present)
21a.	120010	Tire (4 x 8) (1997–1998)
Not Shown	123019	Wheel Assembly (Complete) (items: 20 & 21) (1999–Present)
Not Shown	123017	Wheel Assembly (Complete) (items: 20a & 21a) (1997–1998)
22.	119060	Wheel Mount Spring
23.	940018	Wheel Fork Spring Mount
24.	940062	Hex Roller
25.	940063	4" Roller
26.	940064	Rotor Rod Mount
27.	118015	Rotor Rod
Not Shown	103023	Rotor Rod Clip (3-hole)
28.	118016	Rotor Rod (R.H. End Only)

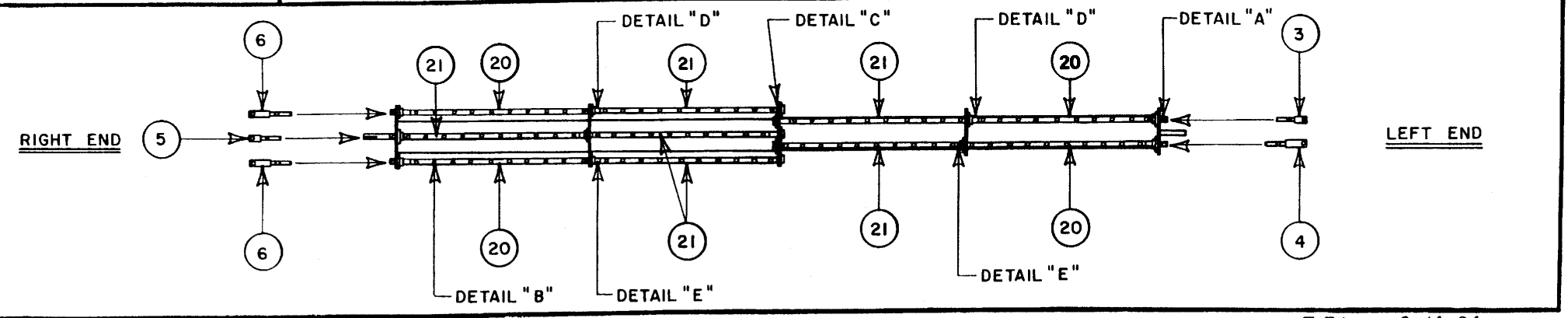
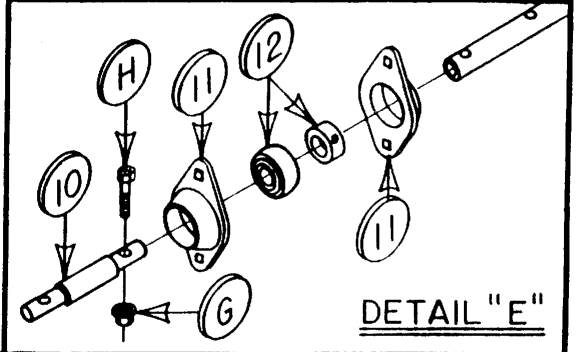
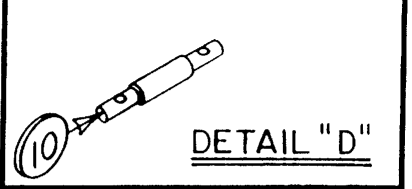
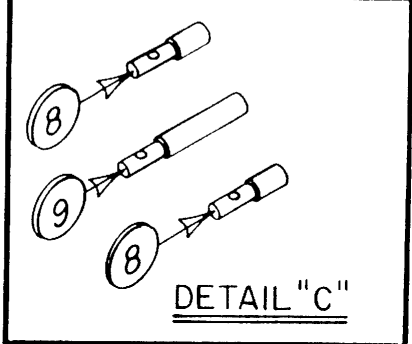
124" (12 ft.) COMBINE PICK UP HEAD (1997–1999)**(1" PUH Bearings)****Parts List**

<u>Item No.</u>	<u>Part No.</u>	<u>Description</u>
Not Shown	103024	Rotor Rod Clip (2-Hole) (R.H. End Only)
29.	102005	Bearing, 1" Insert with Lock Collar
30.	106004	Flangette, Housing (3-Hole)
31.	106013	Flangette, Housing (2-Hole)
32.	119148	Sprocket, 50 Q60 Taper Lock (SK Series) (replaces 119008)
33.	119166	Sprocket, 50BTB15H Taper lock (replaces 119006)
33a.	119163	Bushing, 1210 × 1 KW Taper lock (replaces 119006)
34.	119010	Idler Sprocket, (50 BS 13)
35.	900334	50 Idler Sprocket Mount
36.	119169	Sprocket, 40BTB30H Taper lock (sprocket only)
36a.	119164	Bushing, 1610 × 1 KW Taper lock
37.	119170	Sprocket, 40BTB17H Taper lock (sprocket only)
37a.	119163	Bushing, 1210 × 1 KW Taper lock
38.	119005	Idler Sprocket, (40 BS 17)
39.	940170	40 Idler Sprocket Mount
Not Shown	103012	50 Chain (80 pins or 40 links)
Not Shown	103105	40 Chain (47 pins or 23- ¹ / ₂ links)
40.	900316	50 Chain Guard
41.	940300	40 Chain Guard
42.	940304	40 Chain Guard Mount
43.	940293	R.H. End Hinge Bracket
44.	940002	L.H. End Hinge Bracket
45.	900571	Hinge Lock
46.	940054-97	Upright Angle, R.H. (1997–Present)
47.	940053	Upright Angle, L.H. (All Models)
48.	940052	Upper Chain Bracket
49.	103036	Lift Chain, 1/4"
50.	940265	Knife Support Bracket, (Universal)
51.	940290	R.H. Knife Support (for use with Universal Header)
52.	940289	L.H. Knife Support (for use with Universal Header)
53.	900225	Hydraulic Motor Mount
54.	103017	1" × 3" Split Coupler
55.	113023	Hydraulic Motor (MF Series)
56.	900570	Hinge Spacer
57.	119149	Sprocket, 1" Taper Lock Hub (SK Series) (replaces 119008)
58.	900709	Spacer, Pick Up Head (3 ²⁹ / ₃₂ " Lg.) (1" I.D.)
*Not Shown	940400	Complete R.H. Side Plate Assembly (1" Bearing) (includes # 901405 & 940359)
*Not Shown	940401	Complete R.H. Side Plate Assembly (1" Bearing) (includes # 901406 & 940360)

★ When ordering parts verify year and wheel fork assembly shaft size. 1997–1999 the wheel fork pivot shaft is 1 ³/₁₆". 2000–present the wheel fork pivot shaft is 1 ¹/₄"



**124" MODEL
PICKUP HEAD ASSEMBLY**



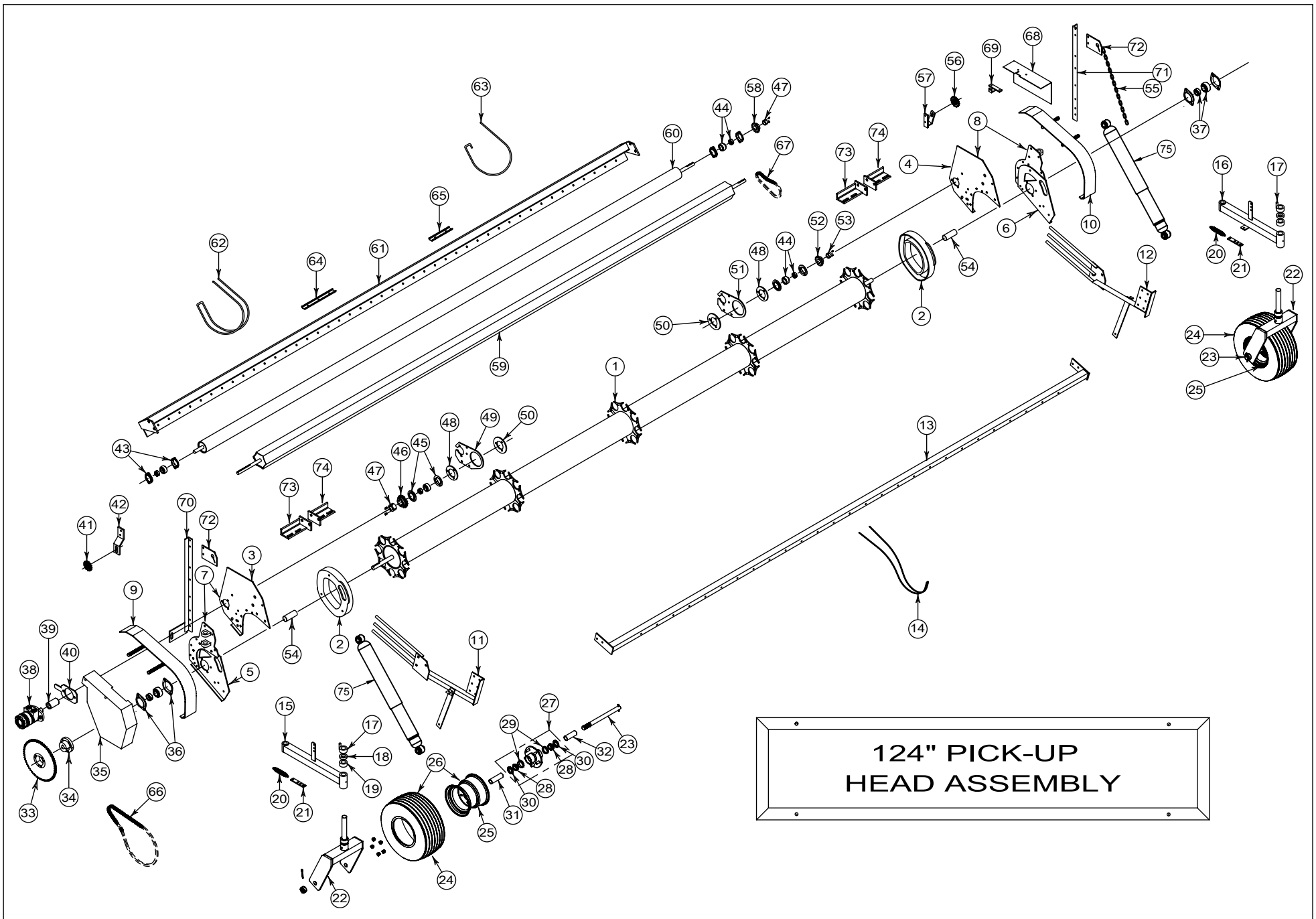
4-TUBE PICK UP HEAD ASSEMBLY 124" Model (1997–1999)

Parts List

<u>Item No.</u>	<u>Part No.</u>	<u>Description</u>
1.	103095	Cam Arm, Universal
2.	102015	Bearing, Cam Arm
3.	119137	Shaft, L.H. Short Finger Offset
4.	119135	Shaft, L.H. Long Finger Offset
5.	119136	Shaft, R.H. Short Finger Offset
6.	119134	Shaft, R.H. Long Finger Offset
7.	106000	Finger, Rubberized (122 Per Machine)
8.	900859	Center Spider Stub Shaft–Short
9.	900858	Center Spider Stub Shaft–Long
10.	900857	Coupler, Finger Rod
11.	106013	Flangett, 2-Hole
12.	102005	Bearing, 1" Insert with Lock Collar
13.	900709	Spacer, Pickup Head (3 ²⁹ / ₃₂ " Lg.) (1" I.D.)
14.	103096	Cam Track, Universal
15.	103096	Cam Track, Universal
16.	940064	Rotor Rod Mount
17.	940159	Pickup Tube with 5 spiders (1" PUH bearings)
18.	940062	Hex Roller
19.	940063	4" Roller
20.	900985	Finger Rod 25 ³ / ₈ ", 6 required per P.U.H.
21.	900940	Finger Rod 29 ³ / ₈ ", 10 required per P.U.H.
Not Shown	940160-97	Complete Pickup Head Assembly (1" PUH bearings)
Not Shown	900860	Four-Hole End Spider
Not Shown	900861	Eight-Hole Center Spider

Hardware List

<u>Item No.</u>	<u>Part No.</u>	<u>Description</u>
A.		7/16" × 3" NC Hex Bolt–Grade 8
B.		7/16" NC Nyloc Hex Nut
C.		1" SAE Flat Washer
D.		5/8" NF Jam Nut
E.		5/8" Shim Washer, Optional
F.		5/16" × 1½" NC Hex Bolt–Grade 5 (For use on Fingers only)
G.		5/16" NC Whiz Nut
H.	106051	5/16" × 2" NF Hex Bolt–Grade 9 (For use on all couplers and stub shafts)
Ha.	106051	5/16" NF Stover Nut (Grade 9) (sold as a set with bolt)



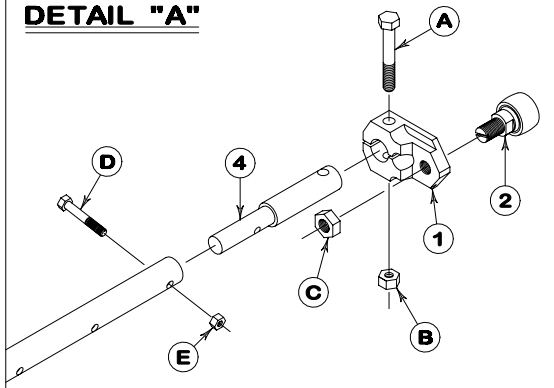
124" COMBINE PICKUP HEAD (2000-Present)**(1 1/4" PUH Bearings)****Parts List**

<u>Item No.</u>	<u>Part No.</u>	<u>Qty</u>	<u>Description</u>
1.	940377	1	8-Tube Pickup Head
2.	103096	2	Cam Track, Universal
3.	901405	1	R.H. Rear Side Plate
4.	901406	1	L.H. Rear Side Plate
5.	940395	1	R.H. Front Side Plate (1 1/4" PUH bearings)
6.	940396	1	L.H. Front Side Plate (1 1/4" PUH bearings)
7.	940402	1	Complete R.H. Side Plate Assembly (includes items 3 & 5)
8.	940403	1	Complete L.H. Side Plate Assembly (includes items 4 & 6)
9.	900414	1	R.H. Roller Shroud
10.	900413	1	L.H. Roller Shroud
11.	940270	1	R.H. Side Plate Deflector Rod
12.	940269	1	L.H. Side Plate Deflector Rod
13.	940305	1	Hold Down Rod Mount Assembly
14.	118002	20	Hold Down Rod
15.	940501	1	R.H. Gauge Wheel Arm (Requires swivel pin # 940292)
16.	940502	1	L.H. Gauge Wheel Arm (Requires swivel pin # 940292)
17.	940505	2	Spring Mount Lock Bushing
18.	940506	2	Wheel Mount Spacer (1/2")
19.	940507	6	Wheel Mount Spacer (1")
20.	119060	2	Wheel Mount Spring
21.	940018	2	Wheel Fork Spring Mount
22.	940500	2	Wheel Fork Assembly (Wide Frame)
23.	990080	2	Wheel Fork Axle (Requires 1" NF Slotted Hex Nut & 1/4" Roll Pin)
24.	120000	2	Tire (18 x 9.5—8)
25.	123018	2	Steel Wheel 8 x 7 (5 on 4.5)
26.	123019	2	Wheel Assembly (Complete) (items: 24 & 25)
27.	108136	2	Straddle Hub (includes items: 28, 29 & 30)
28.	102001	4	1" Straddle Hub Bearing cone
29.	102002	4	1" Straddle Hub Bearing cup
30.	119024	4	Hub Seal
31.	990137	2	Bushing, Spacer 4 -1/8" long
32.	990138	2	Bushing, Spacer 3 -9/16" long
33.	119148	1	Sprocket, 50QDSK60 Taper Lock (SK Series)
34.	119159	1	Sprocket, 1 1/4" Taper lock Hub
35.	900316	1	50 Chain Guard
36.	106050	2	Flangette, 2-Hole (72 MST)
37.	102060	2	Bearing, 1 1/4" Insert with Lock collar
38.	113023	1	Hydraulic Motor (MF Series)
38a.	119109		Seal Kit for Item 38
39.	103017	1	1" x 3" Split Coupler
40.	900225	1	Hydraulic Motor Mount

124" COMBINE PICKUP HEAD (2000-Present)**(1 1/4" PUH Bearings)****Parts List**

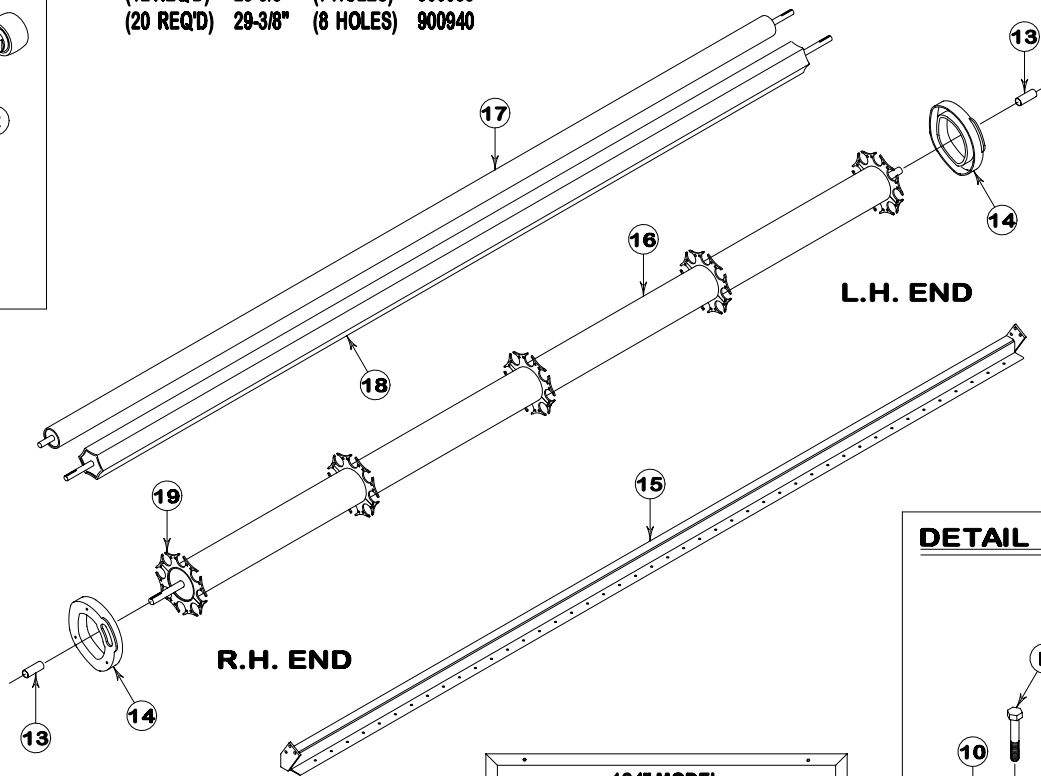
<u>Item No.</u>	<u>Part No.</u>	<u>Qty</u>	<u>Description</u>
41.	119010	1	Idler Sprocket (5013E10)
42.	900334	1	50 Idler Sprocket Mount
43.	106013	2	Flangette, Housing (2 Hole)
44.	102005	4	Bearing, 1" Insert with Lock Collar
45.	106004	2	Flangette, Housing (3 Hole)
46.	119166	1	Sprocket, 50BTB15H Taper lock
47.	119163	2	Bushing, 1210 x 1 KW Taper lock
48.	940668	2	Hinge Spacer (2016 – Present)
48a.	900570	2	Hinge Spacer (2000 – 2015)
49.	940666	1	R.H. End Hinge Bracket (2016 – Present)
49a.	940293	1	R.H. End Hinge Bracket (2000 – 2015)
50.	900571	2	Hinge Lock
51.	940665	1	L.H. End Hinge Bracket (2016 – Present)
51a.	940002	1	L.H. End Hinge Bracket (2000 – 2015)
52.	119170	1	Sprocket 40TBT17H Taper lock (2013 – Present)
52a.	119169	1	Sprocket, 40BTB30H Taper lock (2000 – 2012)
53.	119163	1	Bushing, 1210 x 1 KW Taper lock (2013 – Present)
53a.	119164	1	Bushing, 1610 x 1 KW Taper lock (2000 – 2012)
54.	901484	2	Spacer, Pickup Head
55.	103036	2	Lift Chain, 1/4"
56.	119005	1	Idler Sprocket (4017E08)
57.	940170	1	40 Idler Sprocket Mount
58.	119170	1	Sprocket, 40BTB17H Taper lock (sprocket only)
59.	940062	1	Hex Roller
60.	940063	1	4" Roller
61.	940064	1	Rotor Rod Mount
62.	118015	31	Rotor Rod
63.	118016	0	Rotor Rod Half (L.H. End Only)
64.	103023	9	Rotor Rod Clip (3 hole)
65.	103024	2	Rotor Rod Clip (2 hole) (L.H. End Only)
66.	103012	1	50 Chain (80 pins or 40 links)
67.	103199	1	40 Chain (40 pins or 20 links) (2013 – Present)
67a.	103105	1	40 Chain (47 pins or 23 1/2 links) (2000 – 2012)
68.	940300	1	40 Chain Guard
69.	940304	1	40 Chain Guard Mount
70.	940054-97	1	Upright Angle, R.H. (1997–Present)
71.	940053	1	Upright Angle, L.H. (All Models)
72.	940052	2	Upper Chain Bracket
73.	940265-R	2	R.H Knife Support Bracket
74.	940265-L	2	L.H. Knife Support Bracket
75.	119348	2	Shock, Gas Charged (2013 – Present)

DETAIL "A"

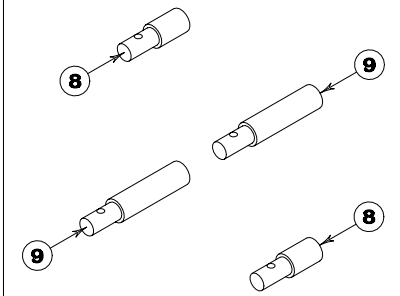


FINGER RODS REQUIRED PER (124-3/16") 8 TUBE P-U HEAD

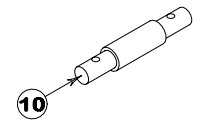
(12 REQ'D) 25-3/8" (7 HOLES) 900985
 (20 REQ'D) 29-3/8" (8 HOLES) 900940



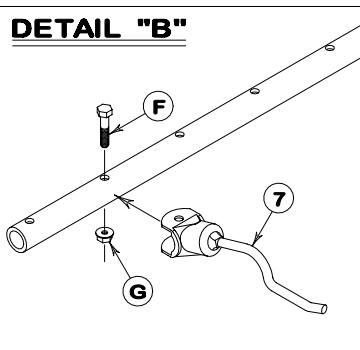
DETAIL "C"



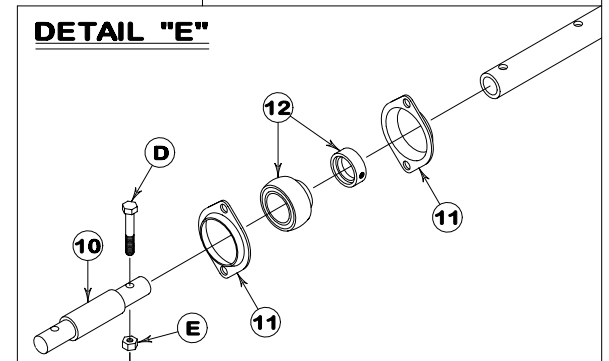
DETAIL "D"



DETAIL "B"



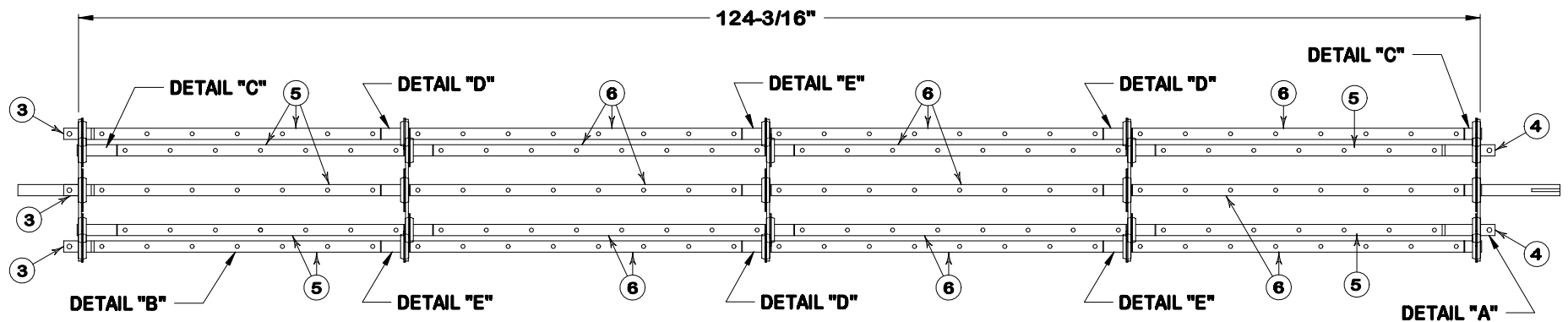
DETAIL "E"



124" MODEL
 8 TUBE PICK-UP HEAD ASSEMBLY

L.H. END (NO KEY)

R.H. END (KEYED)



8-TUBE PICKUP HEAD ASSEMBLY (124" MODEL) 1997-2014

Parts List

<u>Item No.</u>	<u>Part No.</u>	<u>Qty</u>	<u>Description</u>
1.	103095	8	Cam Arm (Universal)
2.	102015	8	Bearing, Cam Arm
3.	119137	4	Shaft, L.H. Short Finger Offset
4.	119134	4	Shaft, R.H. Long Finger Offset
5.	900985	12	Finger Rod 25 ³ / ₈ " (7-Holes)
6.	900940	20	Finger Rod 29 ³ / ₈ " (8-Holes)
7.	106036	244	8-Tube finger with radius
8.	901412	4	End Spider Stub Shaft (short)
9.	901420	4	End Spider Stub Shaft (long)
10.	900857	24	Coupler, Finger Rod
11.	106013	40 pr.	Flangett, 2-Hole
12.	102005	40	Bearing, 1" Insert (with Lock Collar)
13.	901484	2	Spacer, Pickup Head (3 ²⁹ / ₃₂ " Lg.)(1 ¹ / ₄ " I.D.)
13a.	900709	2	Spacer, Pickup Head (3 ²⁹ / ₃₂ " Lg.)(1" I.D.)
14.	103096	2	Cam Track (Universal)
15.	940064	1	Rotor Rod Mount (130 ³ / ₄ "
16.	940377	1	Pickup Tube (with 5 Spiders) (124 ³ / ₁₆ ") (1" PUH bearings)
16a.	940377-00	1	Pickup Tube (with 5 Spiders) (124 ³ / ₁₆ ") (1 ¹ / ₄ " PUH bearings)
17.	940063	1	4" Roller (128 ⁷ / ₈ ")
18.	940062	1	Hex Roller (126 ³ / ₈ ")
19.	900861	5	Eight Hole Spider
Not Shown	940378	1	Complete 8 Tube Pickup Head Assembly (124 ³ / ₁₆ ") (1" PUH bearings)
Not Shown	940378-00	1	Complete 8 Tube Pickup Head Assembly (124 ³ / ₁₆ ") (1 ¹ / ₄ " PUH bearings)

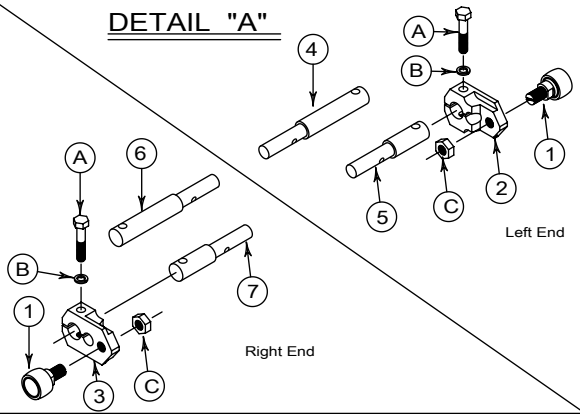
Roller Carriers

Not Shown	901450	1	1 ¹ / ₄ " Pickup Head Carrier (Drive-end keyed)
Not Shown	901451	1	1 ¹ / ₄ " Pickup Head Carrier (Idler-end no key)
Not Shown	900058	1	4" Roller Carrier (Drive-end keyed)
Not Shown	900059	1	4" Roller Carrier (Idler-end no key)
Not Shown	900062	1	Hex Roller Carrier (R.H. end 4 ³ / ₄ " keyway)
Not Shown	900063	1	Hex Roller Carrier (L.H. end 2 ¹ / ₂ " keyway)
Not Shown	900044	1	1" Pickup Head Carrier (Drive-end keyed)
Not Shown	900045	1	1" Pickup Head Carrier (Idler-end no key)

Hardware List

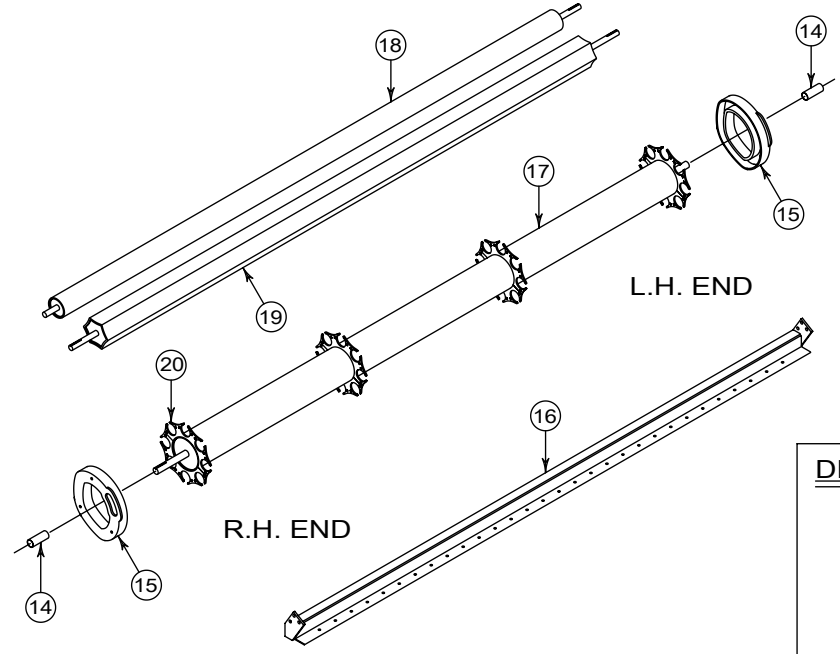
<u>Item No.</u>	<u>Part No.</u>	<u>Qty</u>	<u>Description</u>
A.		8	7/16" × 3" NC Hex Bolt (Grade 8)
B.		8	7/16" NC Nylon Hex Nut
C.		8	5/8" NF Jam Nut
D.	106051	64	5/16" × 2" NF Hex Bolt (Grade 9)(sold as a set with nut)
E.	106051	64	5/16" NF Stover Nut (Grade 9)(sold as a set with bolt)
F.		180	5/16" × 1 ¹ / ₂ " NC Hex Bolt (Grade 5)(use on fingers only)
G.		180	5/16" NC Whiz Nut (use on fingers only)

DETAIL "A"

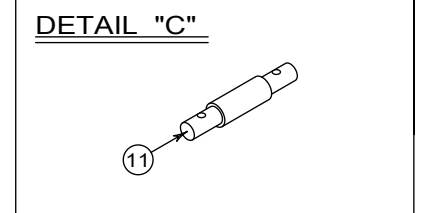


FINGER RODS REQUIRED PER (124-3/16") 8 TUBE P-U HEAD

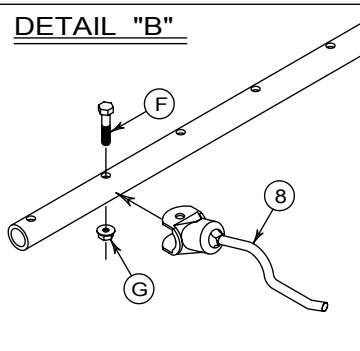
(4 REQ'D)	41-3/8"	(11 HOLES)	900867
(20 REQ'D)	37-3/8"	(10 HOLES)	900866



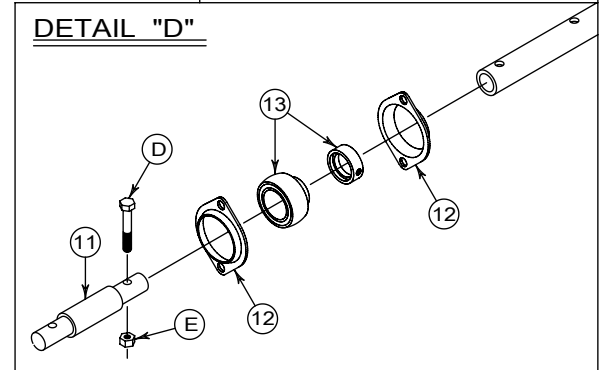
DETAIL "C"



DETAIL "B"



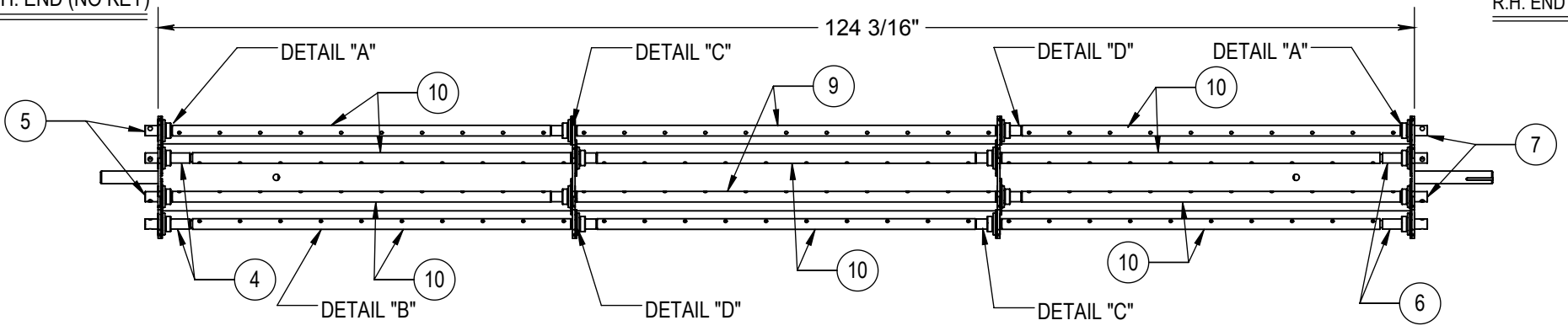
DETAIL "D"



124" MODEL
8 TUBE PICK-UP HEAD ASSEMBLY

L.H. END (NO KEY)

R.H. END (KEYED)



8 TUBE PICKUP HEAD ASSEMBLY (124" MODEL) 2015–Present

Parts List

<u>Item No.</u>	<u>Part No.</u>	<u>Qty</u>	<u>Description</u>
1.	102015	16	Bearing, Cam Arm
2.	103095-LH	8	Cam Arm (Threaded)
3.	103095-RH	8	Cam Arm (Threaded)
4.	119135	4	Shaft, L.H. Long Finger Offset
5.	119137	4	Shaft, L.H. Short Finger Offset
6.	119134	4	Shaft, R.H. Long Finger Offset
7.	119136	4	Shaft, R.H. Short Finger Offset
8.	106036	244	Finger, with radius (8 Tube Pickup Head)
8a.	106052	0	Finger, Soft (Optional)
9.	900867	4	Finger Rod 41 ³ / ₈ " (11 holes)
10.	900866	20	Finger Rod 37 ³ / ₈ " (10 holes)
11.	900857	16	Coupler, Finger Rod
12.	106013	32Pr.	Flangette, 2 Hole
13.	102005	32	Bearing, 1" Insert (with Lock Collar)
14.	901484	2	Spacer, Pickup Head (3 ²⁹ / ₃₂ " Lg.)
15.	103096	2	Cam Track (Universal)
16.	940064	1	Rotor Rod Mount (130 3/8")
17.	901825	1	Pickup Tube (with 4 Spiders) (124 3/16")
18.	940063	1	4" Roller (128 7/8")
19.	940062	1	Hex Roller (126 3/8")
20.	900861	4	8-Hole Spider
Not Shown	901826-A	1	Complete 8 Tube Pickup Head Assembly (124 3/16")

Roller Carriers

Not Shown	901450	1	Pickup Head Carrier (Drive-end keyed)
Not Shown	901451	1	Pickup Head Carrier (Idler-end no key)
Not Shown	900058	1	4" Roller Carrier (Drive-end keyed)
Not Shown	900059	1	4" Roller Carrier (Idler-end no key)
Not Shown	900062	1	Hex Roller Carrier (R.H. end 4 ³ / ₄ " keyway)
Not Shown	900063	1	Hex Roller Carrier (L.H. end 2 ¹ / ₂ " keyway)

Hardware List

<u>Item No.</u>	<u>Part No.</u>	<u>Qty</u>	<u>Description</u>
A.		16	7/16" × 2 1/4" NC Hex Bolt–Grade 8
B.		16	7/16" Lock Washer
C.		16	5/8" NF Jam Nut
D.	106051	48	5/16" × 2" NF Hex Bolt–Grade 9 (sold as a set with nut)
E.	106051	48	5/16" NF Stover Nut–Grade 9 (sold as a set with bolt)
F.		196	5/16" × 1 1/2" NC Hex Bolt–Grade 5 (use on fingers only)
G.		196	5/16" NC Whiz Nut (use on fingers only)